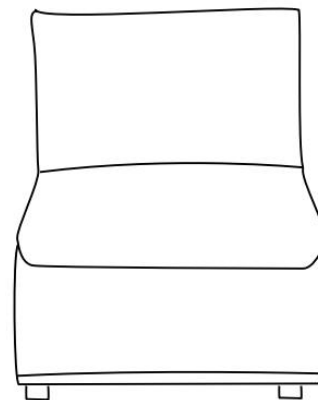
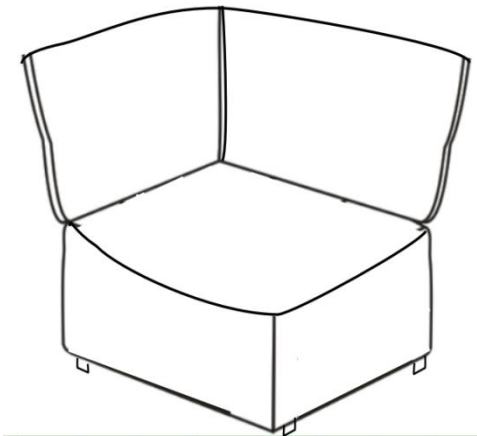


Thank you for purchasing our **SOFA**

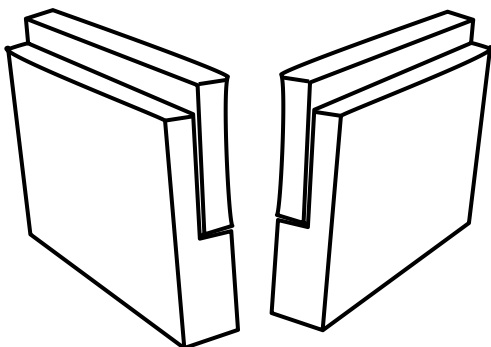
Before you start, here are some helpful advice:

1. We suggest you spend a short time reading through this leaflet and then follow the simple step-by-step instructions.
2. Owing to the size and weight of the sofa, we recommend that it is assembled by two adults, on a carpeted or padded area, in the room that it is intended for. Approximate assembly time: 30 minutes.
3. Please do not use any tools other than those provided or recommended in these instructions.
4. Please do not throw away any of the packaging or the instruction until you have checked all the components and hardware and the furniture is fully assembled. Please ensure that the packaging is disposed of in a safe and environmentally friendly way.
5. Assemble all components loosely until advised to tighten. Depending on use, it may be necessary to tighten the components from time to time, so please save the tools that have been provided.
6. Please keep all pieces out of reach of children.

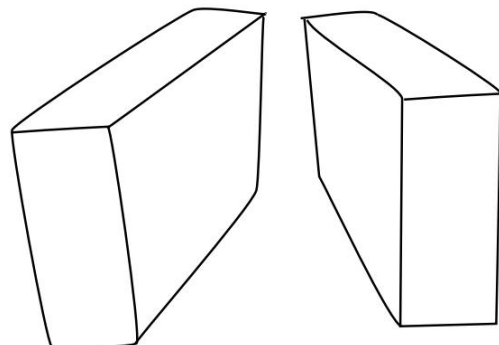
Part-1: Part-2:



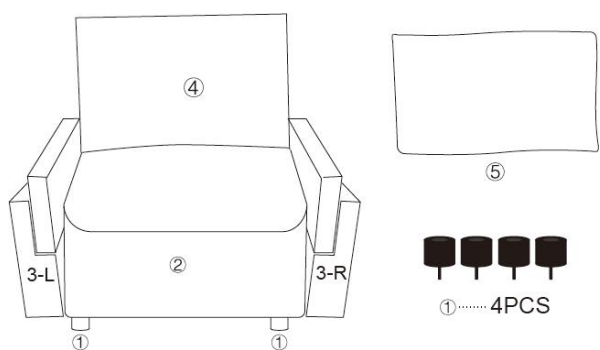
Part-3:



Part-4:



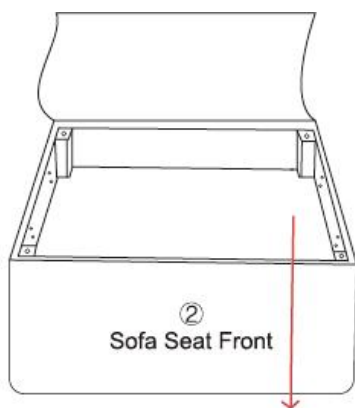
Components:Hardware:



- A. Bolt X8
- B. Flat Washer X8
- C. Nut X8
- D. Felt pad X4

STEP 1:

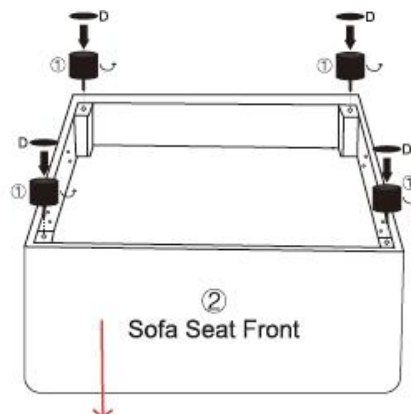
1. Please put **Sofa Seat (2)** upside down on a carpeted or padded surface.
2. Open the Velcro on the bottom of the **Sofa Seat (2)** and take out 4 pieces of **Legs (1)**, 1 piece of **Sofa Back (4)**, 1 piece of **Back Cushions (5)** and hardware bag.



4 Legs(1)+1 Sofa Back(4) +Back Cushion(5)+Hardware bag

STEP 2:

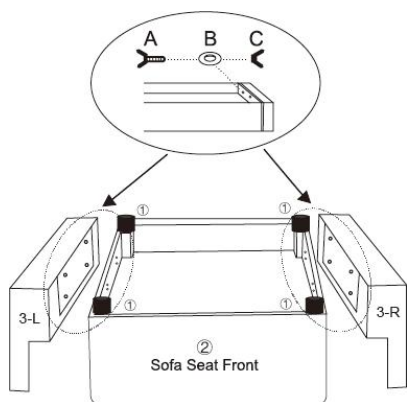
1. Tighten 4 pieces of **Legs (1)** to the **Sofa Seat (2)** clockwise as shown by hand.
2. Put 4 pieces of the **Felt Pads (D)** to the bottom of the **Legs (1)**.



The Sofa Seat Front is the same fabric with fabric cover.

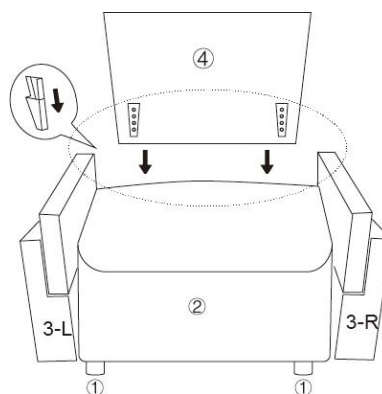
STEP 3:

1. Attach **Left Arm (3-L)** and **Right Arm (3-R)** to the **Sofa Seat (2)** by using 4 pieces of **Bolts (A)** and 4 pieces of **Flat Washer (B)** as shown.



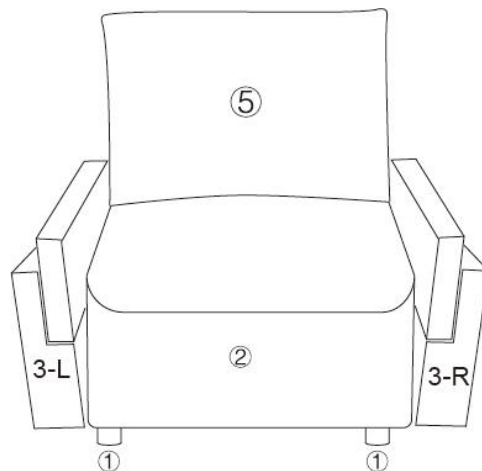
STEP 4:

1. Please carefully turn over **Sofa Seat (2)**.
2. Insert **Sofa Back (4)** to **Sofa Seat (2)** by using the pre-installed Clips on **Sofa Seat (2)**, **Sofa Back (4)** to lock each other as shown.

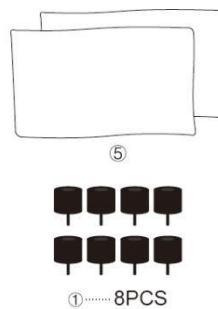
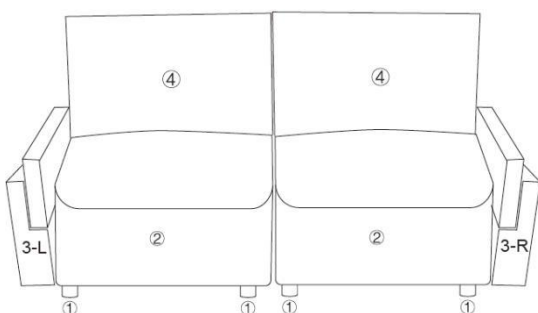


STEP 5

Carefully put **Back Cushion (5)** to the assembled **Sofa Seat (2)**, **Left Arm (3-L)**, **Right Arm (3-R)** and **Sofa Back (4)** as shown.



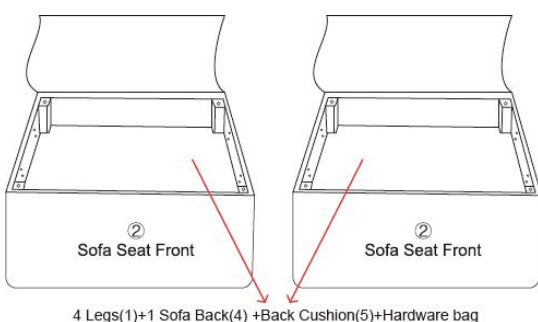
Components: Hardware:



- A.  Bolt X12
- B.  Flat Washer X12
- C.  Nut X12
- D.  Felt pad X8

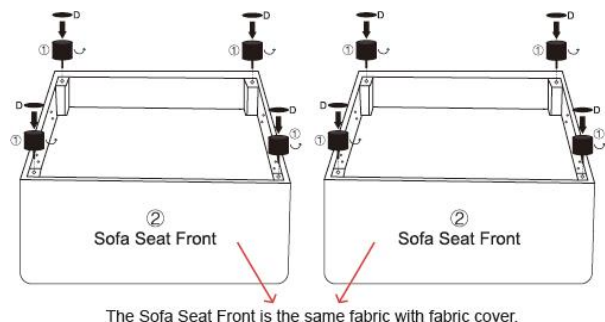
STEP 1:

1. Please put **Sofa Seat (2)** upside down on a carpeted or padded surface.
2. Open the Velcro on the bottom of the **Sofa Seat (2)** and take out 8 pieces of **Legs(1)**, 2 piece of **Sofa Back (4)**, 2 piece of **Back Cushions (5)** and hardware bag.



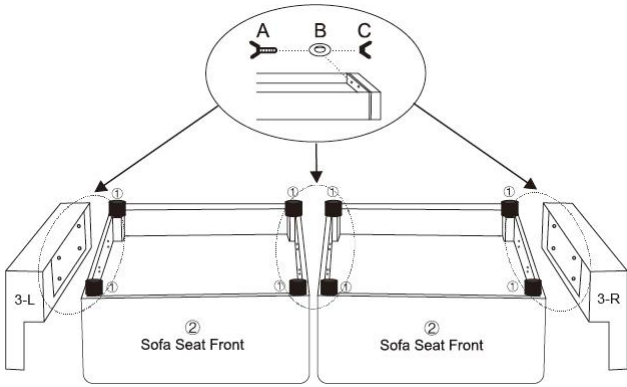
STEP 2:

1. Tighten 8 pieces of **Legs (1)** to the **Sofa Seat (2)** clockwise as shown by hand.
2. Put 8 pieces of the **Felt Pads (D)** to the bottom of the **Legs (1)**.



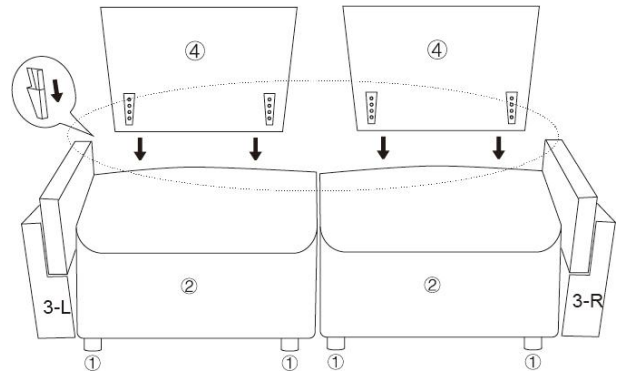
STEP 3:

1. Attach **Left Arm (3-L)** and **Right Arm (3-R)** to the **Sofa Seat (2)** by using 12 pieces of **Bolts (A)** and 12 pieces of **Flat Washer (B)** and 12 pieces of **Nut (C)** as shown.



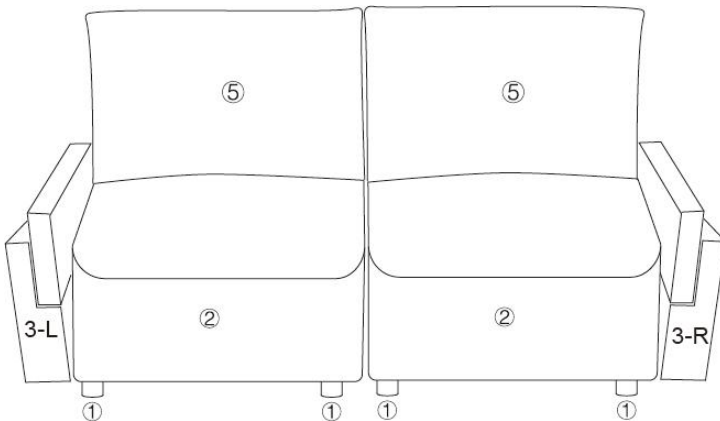
STEP 4:

1. Please carefully turn over **Sofa Seat (2)**.
2. Insert **Sofa Back (4)** to **Sofa Seat (2)** by using the pre-installed Clips on **Sofa Seat (2)**, **Sofa Back (4)** to lock each other as shown.

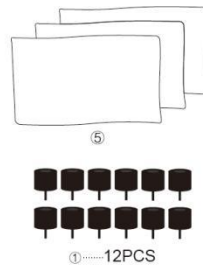
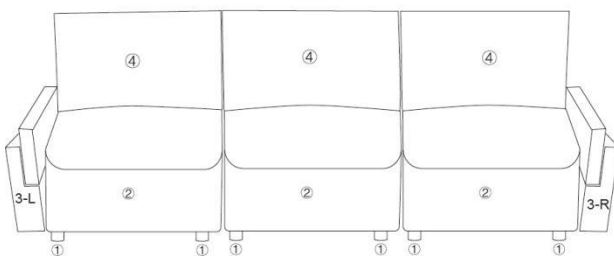


STEP 5

Carefully put **Back Cushion (5)** to the **Sofa Back (4)** as shown.



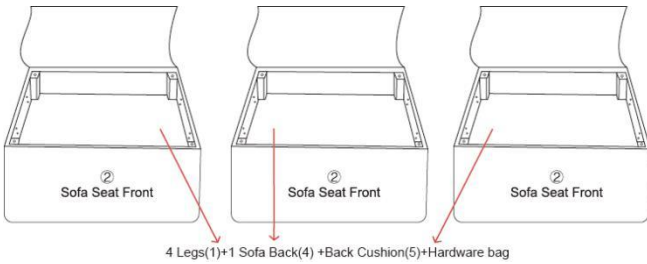
Components:Hardware:



- A.  Bolt X16
- B.  Flat Washer X16
- C.  Nut X16
- D.  Felt pad X12

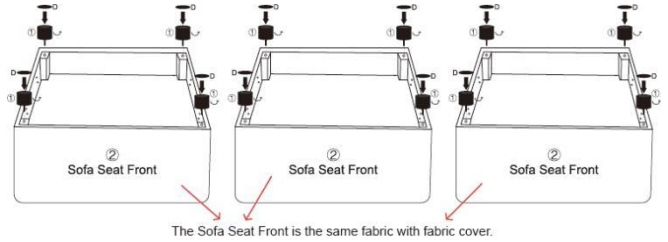
STEP 1:

1. Please put **Sofa Seat (2)** upside down on a carpeted or padded surface.
2. Open the Velcro on the bottom of the **Sofa Seat (2)** and take out 12 pieces of **Legs(1)**, 3 piece of **Sofa Back (4)**, 3 piece of **Back Cushions (5)** and hardware bag.



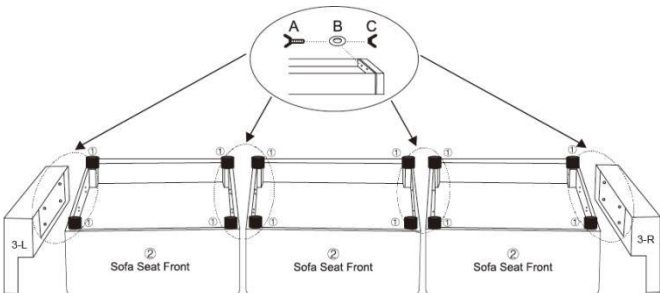
STEP 2:

1. Tighten 12 pieces of **Legs (1)** to the **Sofa Seat (2)** clockwise as shown by hand.
2. Put 12 pieces of the **Felt Pads (D)** to the bottom of the **Legs (1)**.



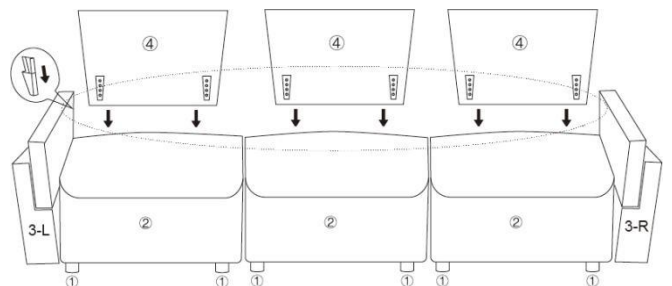
STEP 3:

- Attach **Left Arm (3-L)** and **Right Arm (3-R)** to the **Sofa Seat (2)** by using 16 pieces of **Bolts (A)** and 16 pieces of **Flat Washer (B)** and 16 pieces of **Nut (C)** as shown.



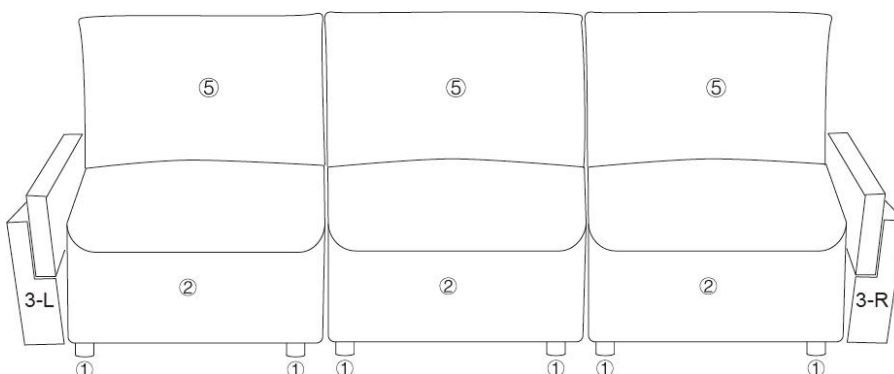
STEP 4:

1. Please carefully turn over **Sofa Seat (2)**.
2. Insert **Sofa Back (4)** to **Sofa Seat (2)** by using the pre-installed Clips on **Sofa Seat (2)**, **Sofa Back (4)** to lock each other as shown.

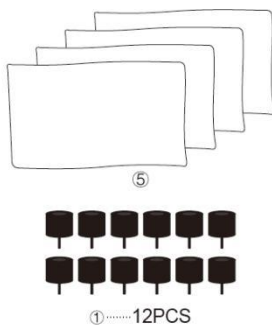
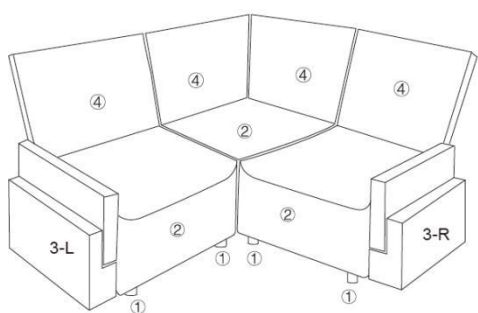






STEP 5

- Carefully put **Back Cushion (5)** to the **Sofa Back (4)** as shown.



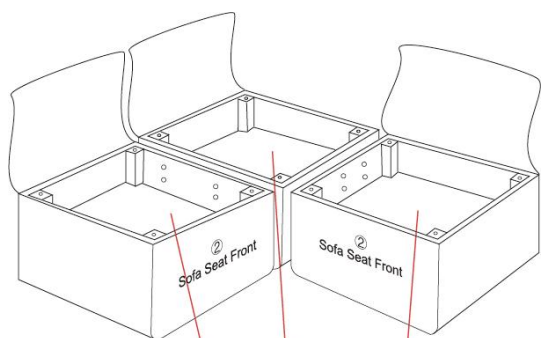
Components:Hardware:



- A.  Bolt X12
- B.  Flat Washer X12
- C.  Nut X12
- D.  Felt pad X12

STEP 1:

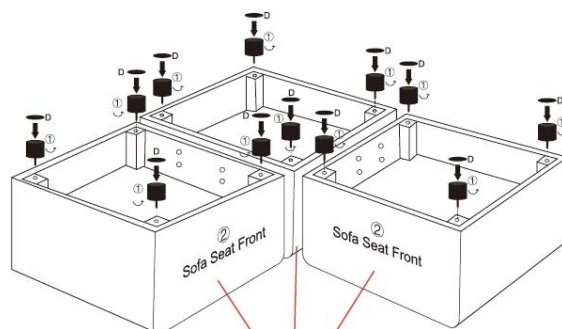
1. Please put **Sofa Seat (2)** upside down on a carpeted or padded surface.
2. Open the Velcro on the bottom of the **Sofa Seat (2)** and take out 12 pieces of **Legs (1)**, 4 piece of **Sofa Back (4)**, 4 piece of **Back Cushions (5)** and hardware bag.



4 Legs(1)+1 Sofa Back(4) +Back Cushion(5)+Hardware bag

STEP 2:

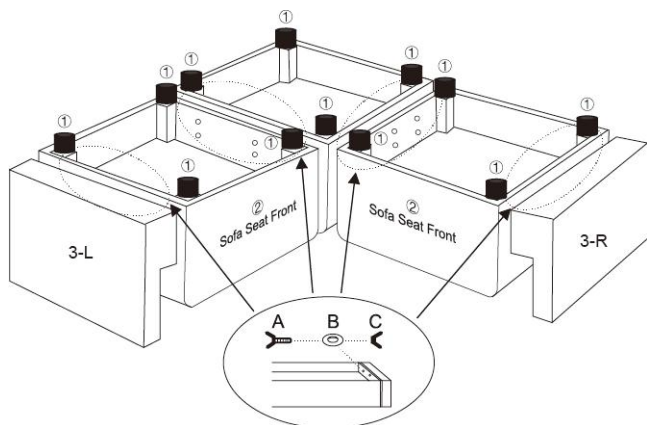
1. Tighten 12 pieces of **Legs (1)** to the **Sofa Seat (2)** clockwise as shown by hand.
2. Put 12 pieces of the **Felt Pads (D)** to the bottom of the **Legs (1)**.



The Sofa Seat Front is the same fabric with fabric cover.

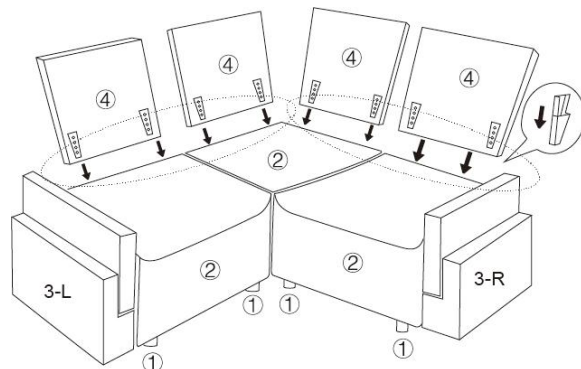
STEP 3:

1. Attach **Right Arm (3-R)** to the **Sofa Seat (2)** by using 12 pieces of **Bolts (A)** and 12 pieces of **Flat Washer (B)** and 12 pieces of **Nut (C)** as shown.



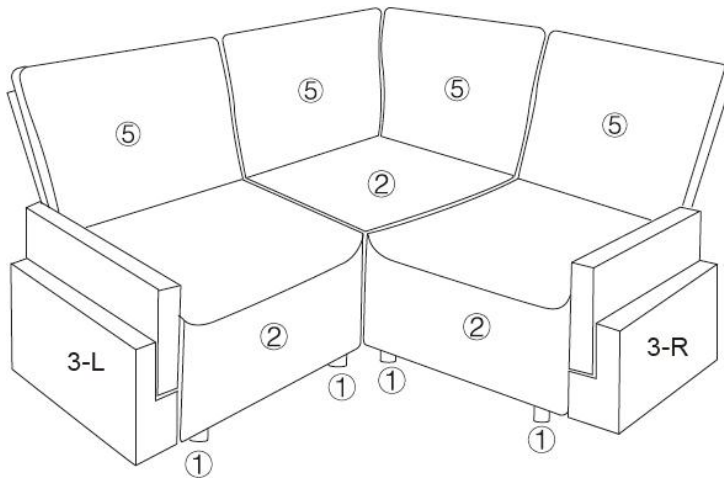
STEP 4:

1. Please carefully turn over **Sofa Seat (2)**.
2. Insert **Sofa Back (4)** to **Sofa Seat (2)** by using the pre-installed Clips on **Sofa Seat (2)**, **Sofa Back (4)** to lock each other as shown.

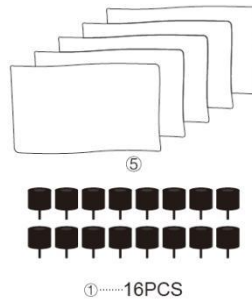
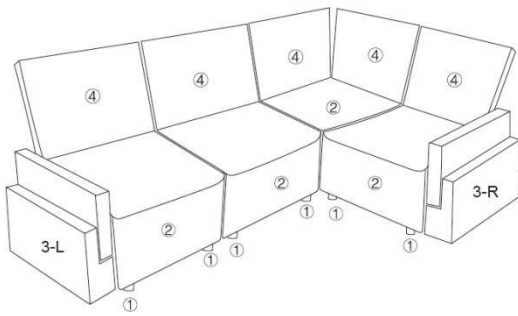


STEP 5

Carefully put **Back Cushion (5)** to the **Sofa Back (4)** as shown.



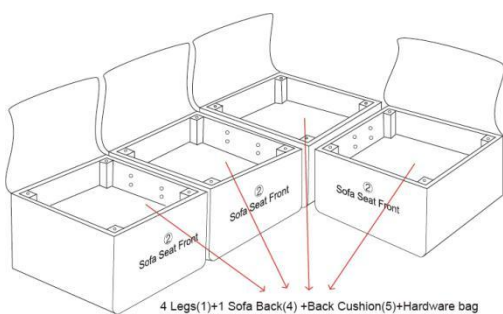
Components: Hardware:



- A.  Bolt X16
- B.  Flat Washer X16
- C.  Nut X16
- D.  Felt pad X16

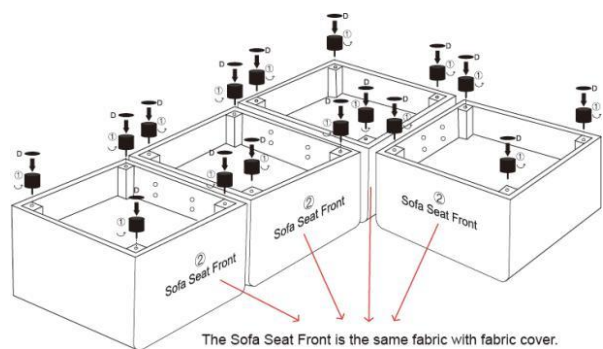
STEP 1:

1. Please put **Sofa Seat (2)** upside down on a carpeted or padded surface.
2. Open the Velcro on the bottom of the **Sofa Seat (2)** and take out 16 pieces of **Legs (1)**, 5 piece of **Sofa Back (4)**, 5 piece of **Back Cushions (5)** and hardware bag.



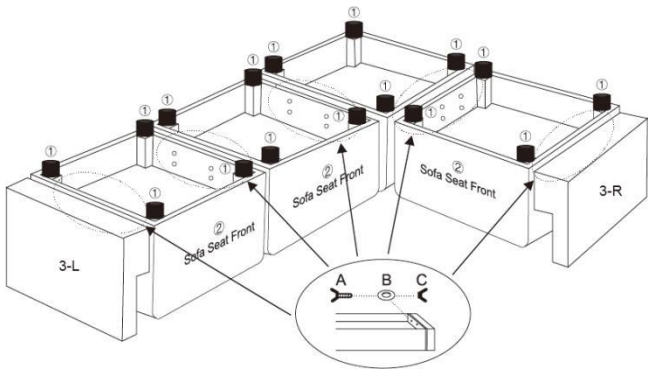
STEP 2:

1. Tighten 16 pieces of **Legs (1)** to the **Sofa Seat (2)** clockwise as shown by hand.
2. Put 16 pieces of the **Felt Pads (D)** to the bottom of the **Legs (1)**.



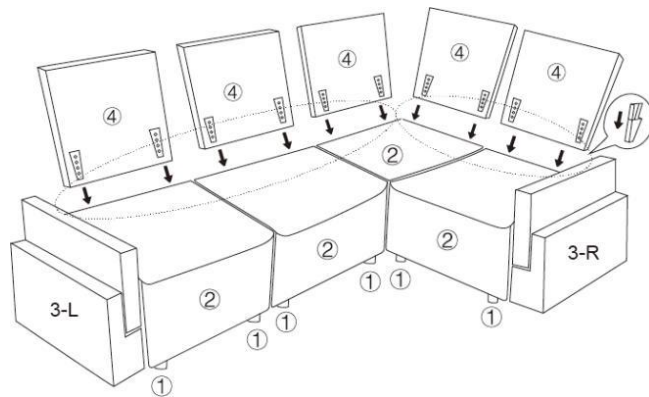
STEP 3:

1. Attach **Right Arm (3-R)** to the **Sofa Seat (2)** by using 16 pieces of **Bolts (A)** and 16 pieces of **Flat Washer (B)** and 16 pieces of **Nut (C)** as shown.



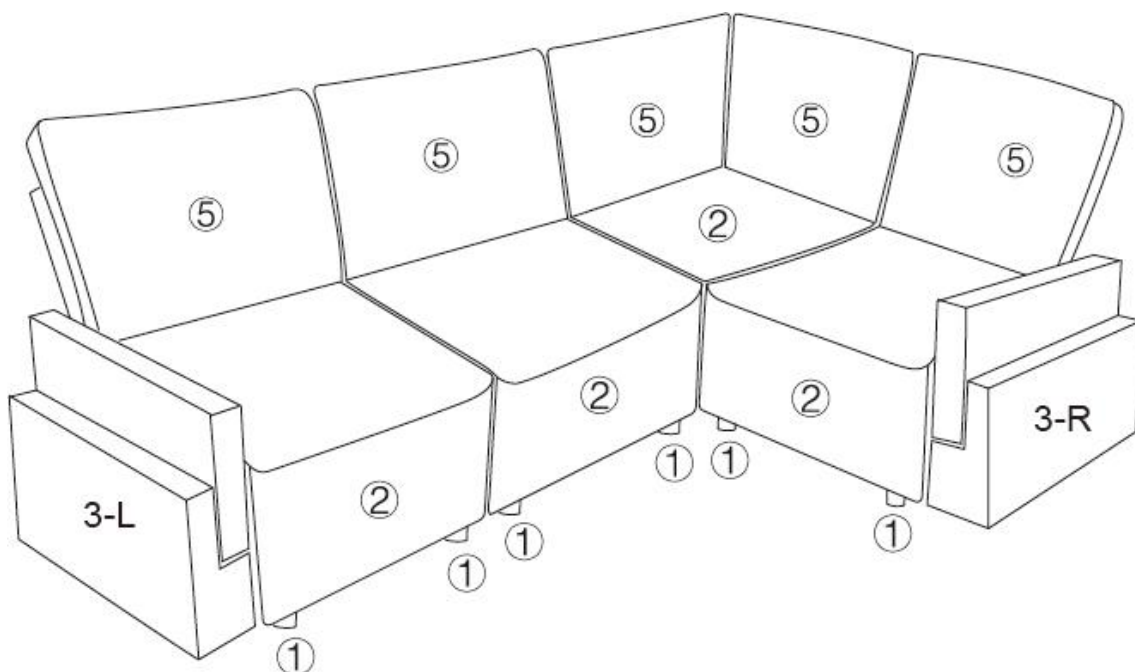
STEP 4:

1. Please carefully turn over **Sofa Seat (2)**.
2. Insert **Sofa Back (4)** to **Sofa Seat (2)** by using the pre-installed Clips on **Sofa Seat (2)**, **Sofa Back (4)** to lock each other as shown.



STEP 5:

Carefully put **Back Cushion (5)** to the **Sofa Back (4)** as shown.



Thank you for the assembly. The assembly is complete. Your sofa is ready to enjoy now --

More options is available

