

Assembly Instructions

Caution : You must read this before you proceed



SAFETY WARNING

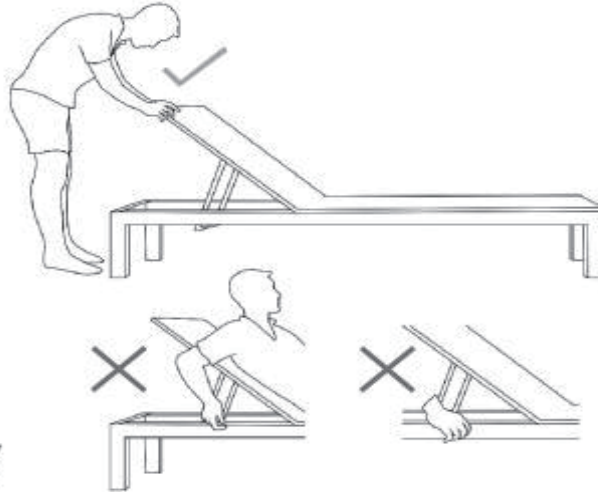
Never adjust chaise lounge or recliner backrest while seated.

Always make sure the backrest is flat before moving the chaise lounge.










Keep all limbs clear from under the backrest when it is in a raised position.

Serious finger, hand, or other bodily injuries may result from adjusting the chaise lounge backrest position while seated.

The examples pictured above are non exhaustive and are for your reference only



Care & Maintenance

- ⊘  • Not for commercial use. For residential use only.
- ⊘  • Do not put hot items directly on the furniture surface.
- ⊘  • Do not clean furniture with harsh cleansers or polish.
- ✓  • To obtain the longest lifespan of your outdoor products, minimizing exposure to direct sunlight is recommended.
- ⊘  • Children should not climb or jump on the furniture.
- ⊘  • Do not write on furniture without a padded barrier to protect the surface.
- ✓  • To obtain the longest lifespan of your outdoor products, avoid extended and lengthy exposure to rain, snow, and direct sunshine. Whenever possible, cover the product and/or place under patio or awnings.
- ⊘  • Stains may be removed with mild soap solution and damp cloth.
- ✓  • Dust and pick-up spills using a clean, non-colored, lint-free cloth.

**Please look in boxes for hardware packs and legs.
Sets often ship in multiple boxes and may arrive a day or two apart.**

Chaise Lounge







**Caution: This Lounge is Not a Toy.
Keep your child / children at bay during the ass**

Parts List

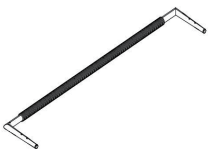

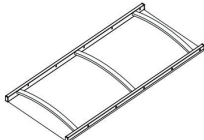
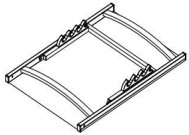






Label	Picture	Description	QTY
A		Left Legs	1
B		Right Legs	1
C		Seat Panel	1
D		Backrest Panel	1






E		Legs Support Bar	2
F		Gear Support Bar	1

Hardware

Label	Picture	Description	QTY
①		Allen Wrench	1
②		Bolt (M6*20MM)	9
③		Bolt (M6*40MM)	15
④		Washer	5

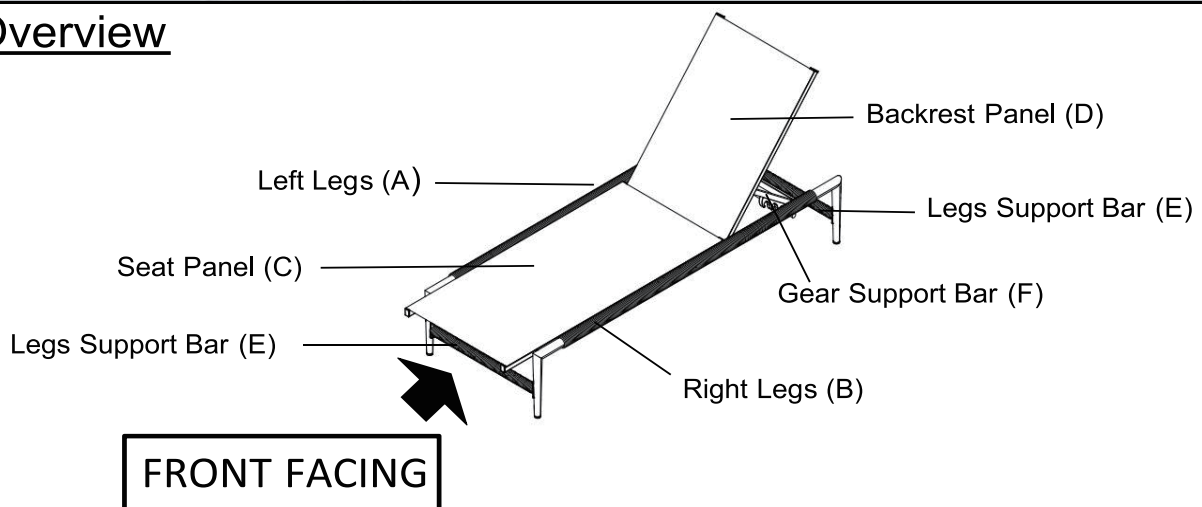
Assembly Preparation

Before Beginning Assembly:					
	A	B	C	D	E*2
					
	F	①	②*9	③*15	④*5

-  • Read instructions, cover to cover-
-  • Have 2 adults on hand for assembly-
-  • Do not assemble on flooring or carpet-
-  • Assemble on a clean non-marring surface (packing foam)-
-  • Save all packaging until finished-

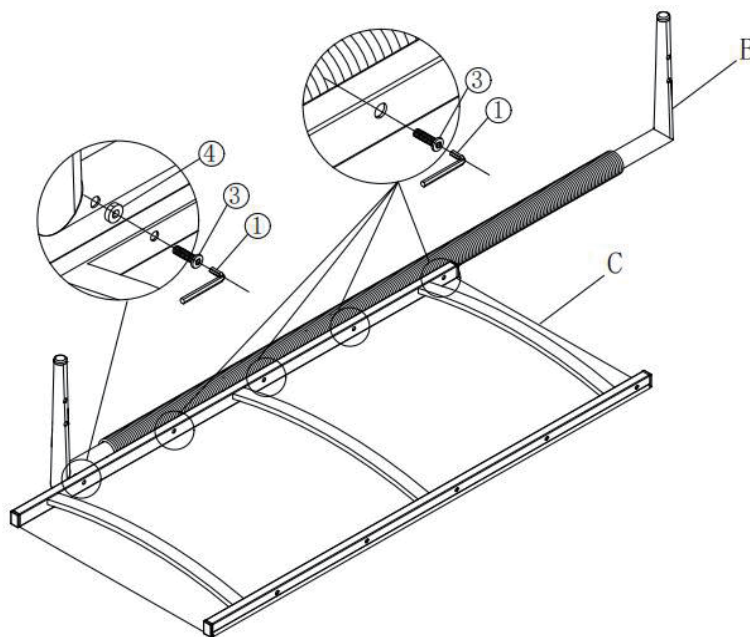
Assembly Steps

Overview



This Chaise Lounge has multiple parts and may require up to 30 minutes to assemble. To give you an overview of the Chaise Lounge parts, the above picture is to help you put the various parts into perspective. Please read through the instructions below to familiarise yourself with the parts and steps before assembly.

Step 1



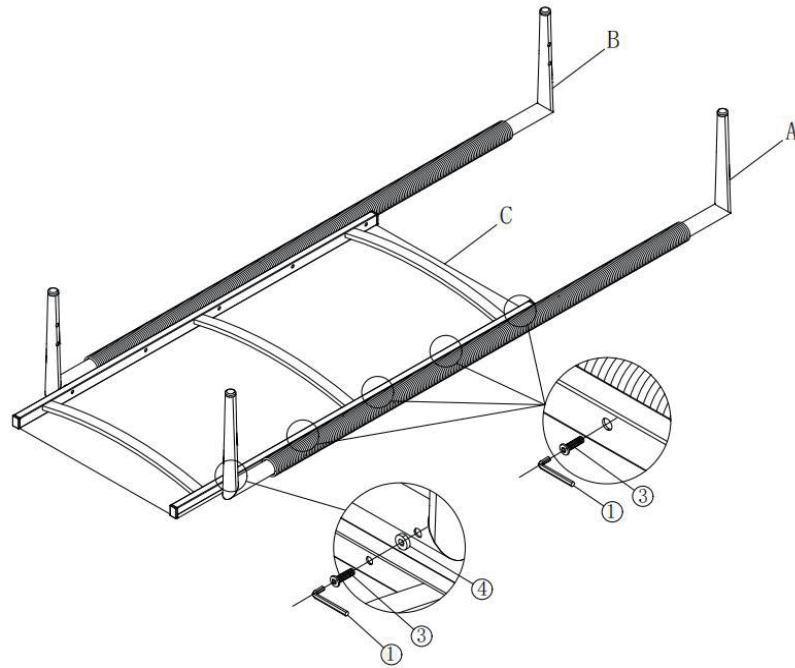
Open the carton and place all parts on a clean, non-damaged surface.

Attach the Seat Panel (C) to Right Legs (B), using Bolts (3) and Washer (4) Allen Wrench (1) as shown above.

One mounting position need washer, and the washer will be placed between leg and seat panel.

Do Not Fully tighten the bolts.

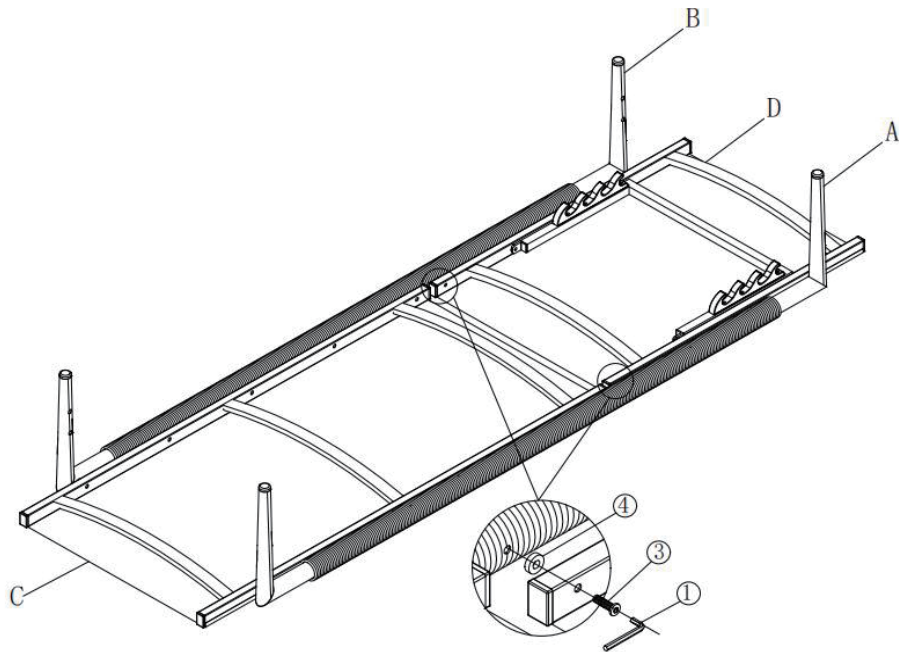
Step 2



Repeat the last step to attach the Left Legs(A) as shown above.

Do Not Fully tighten the bolts.

Step 3

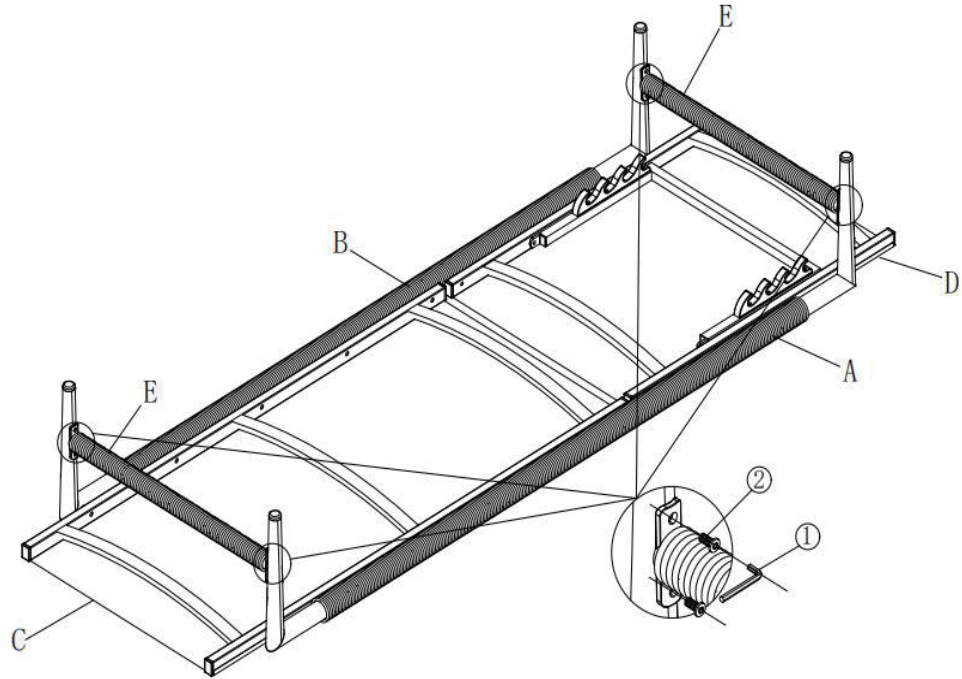


Attach the Backrest Panel(D) to Left Legs(A) & Right Legs(B), using Bolts(3) and Washers(4) with Allen Wrench(1).

As shown above, the Washer will be placed between Backrest Panel and Legs.

Do Not Fully tighten the bolts.

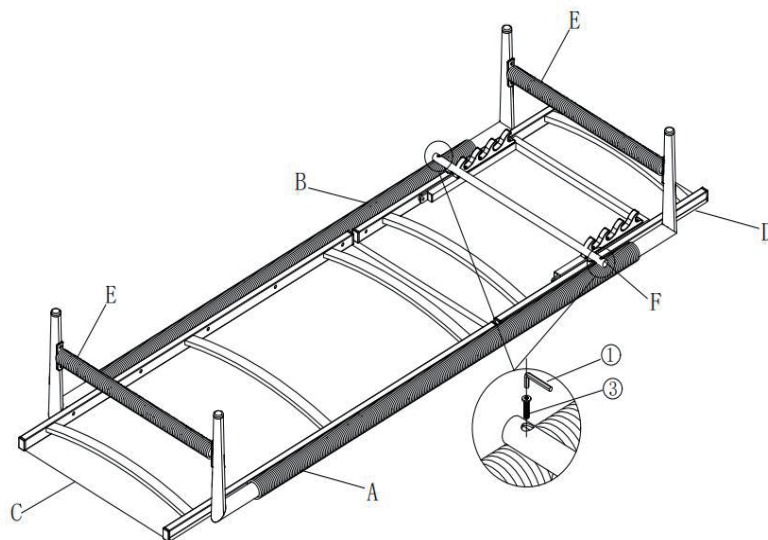
Step 4



Attach the Legs Support Bar(E) to left and right legs(A, B), using bolts(②) with Allen Wrench(①) as shown above.

Do Not Fully tighten the bolts.

Step 5



Attach the Gear Support Bar(F) to left and right legs(A, B), using bolts(③) with Allen Wrench(①) as shown above.

Do Not Fully tighten the bolts.

Step 6



Stand the Chaise Lounge up.
Place the Chaise Lounge on a LEVEL SURFACE.

Inspect it and make sure all parts are adequately connected.
Gently and carefully sit onto the Chaise Lounge.

This will help to align all parts at all joints.

Then get off the Chaise Lounge, and in a sequential manner, proceed to tighten all Bolts.

When tightening the Bolts, tighten sequentially.

DO NOT tighten any Bolt fully and then move on to the next one.

This may cause the frame to warp.

If there is still wobbles, loosen the Bolts and execute this same process.

If the Chaise Lounge is not stable it could lead to damage to the product.

Note: This step is done best with the assistance of a second adult.

Your Chaise Lounge is ready for use.

This Chaise Lounge can only be used on a flat, level surface.