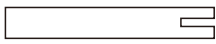

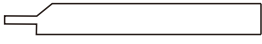
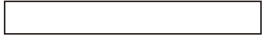

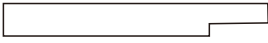
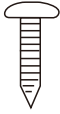
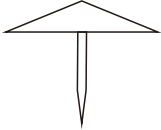


ISLiFe

DIY Sliding Barn Door Installation Instruction

Website: www.islifeusa.com
Email: info@islifeusa.com

PARTS INCLUDED

Description	Part	Side View
Left Side Panel	(A)	
Middle Panel	(B)	
Right Side Panel	(C)	
Top Panel (8" wide)	(D)	
Center Panel (6" wide)	(E)	
Bottom Panel (8" wide)	(F)	
Screw	(G)	
Decorative Pin (Place the pins out of reach from children under 3 years old.)	(H)	

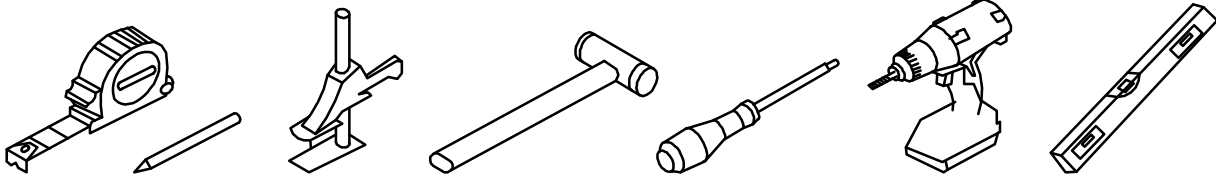
PRE-INSTALLATION

Product Cautions:

1. Avoid Direct Sunlight
2. Avoid Moisture
3. Avoid Rain



Tools Required



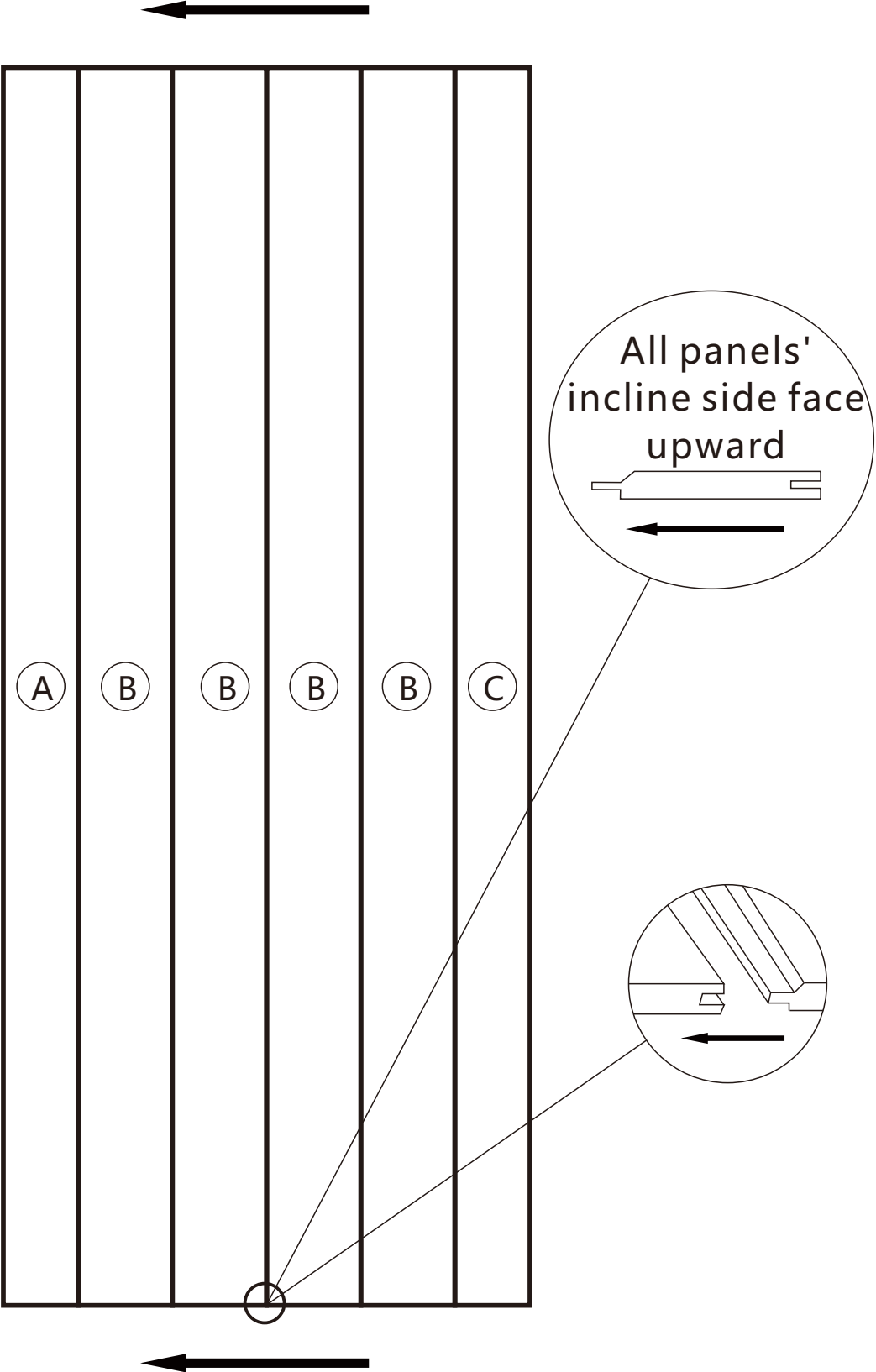
Assembly with a partner is recommended.

Wear working gloves.

INSTALLATION

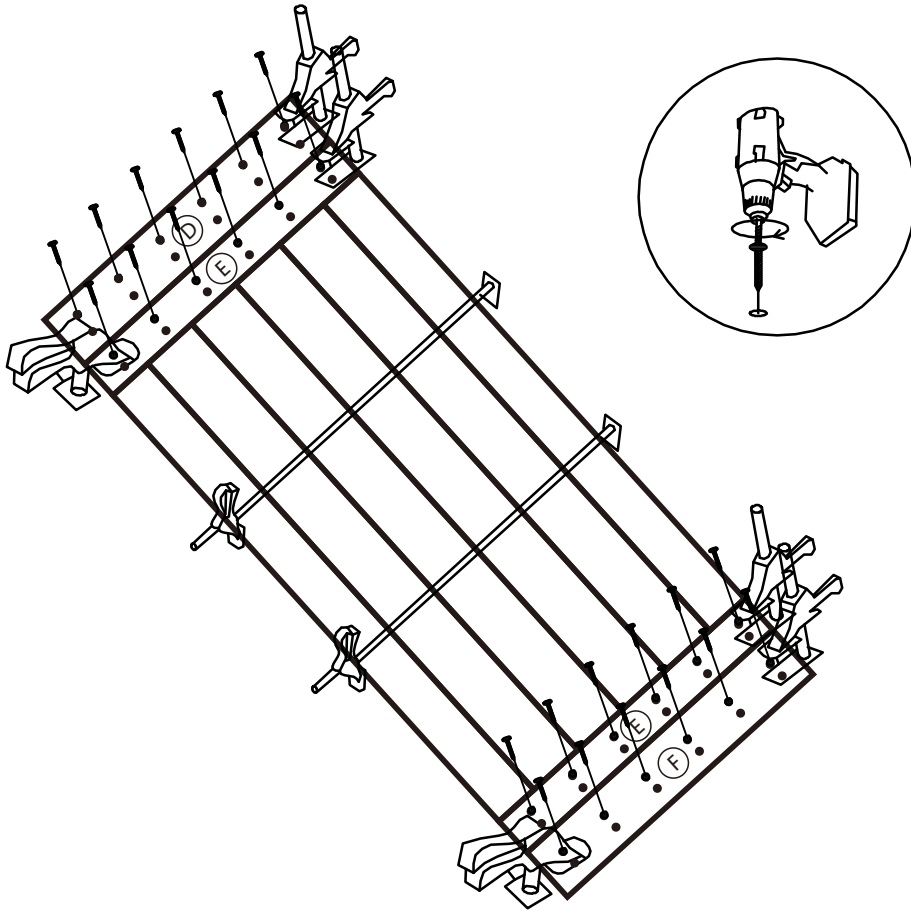
STEP 1:

combine lower Panel A, B, and C.
Make sure all panels with 45 degree Incline side corners are facing upward.

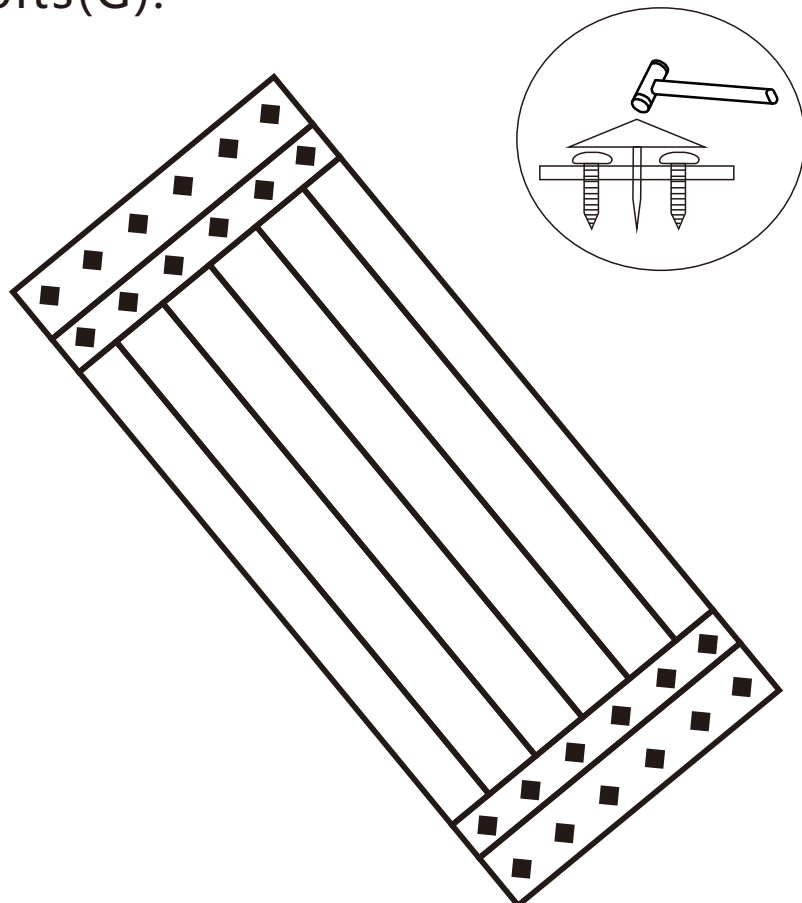


STEP 2:

Align upper Panel D, E, F with pre-drilled holes.
Top and bottom panels are 1" thick and 8" wide.
Center panels are 1" thick and 6" wide.
Lock all the screws .

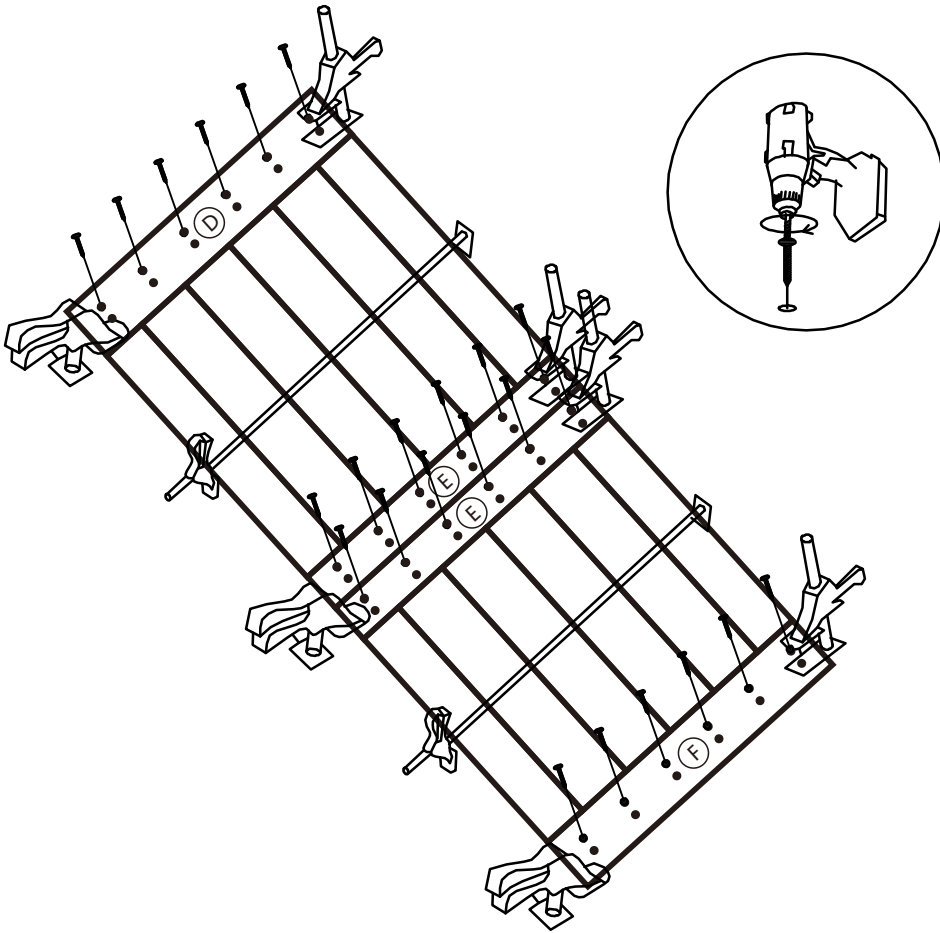


Step3: Lock all bolts(G).

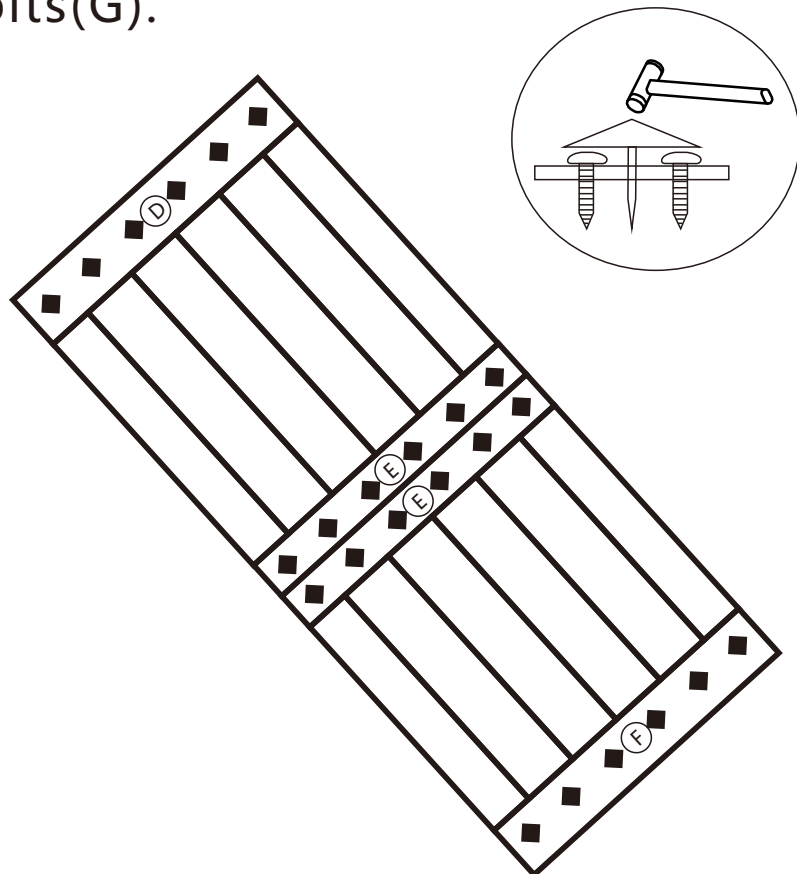


STEP 2:

Align upper Panel D, E, F with pre-drilled holes.
Top and bottom panels are 1" thick and 8" wide.
Center panels are 1" thick and 6" wide.

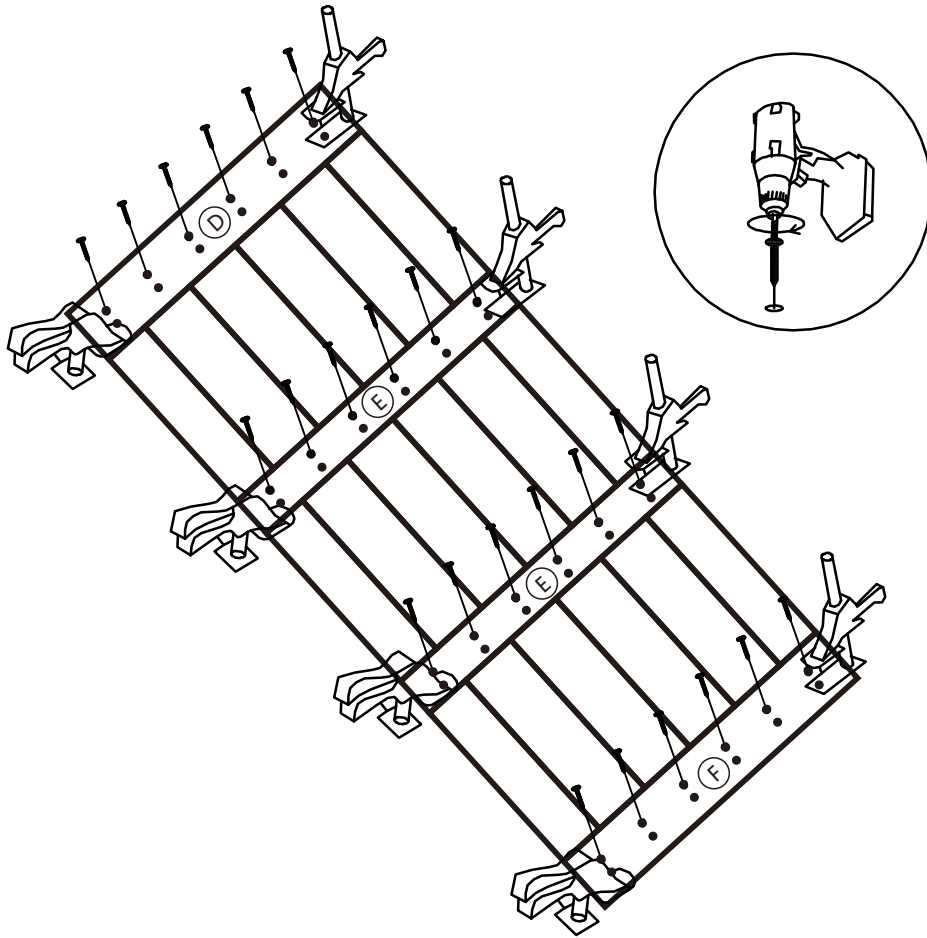


Step3: Lock all bolts(G).

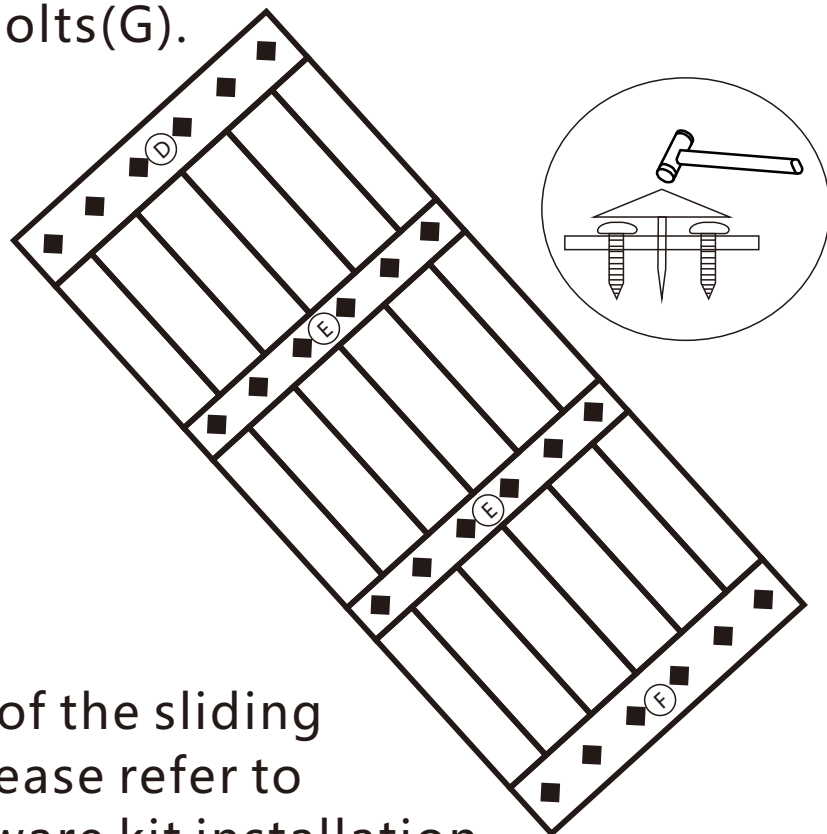


STEP 2:

Align upper Panel D, E, F with pre-drilled holes.
Top and bottom panels are 1" thick and 8" wide.
Center panels are 1" thick and 6" wide.



Step3: Lock all bolts(G).



For installation of the sliding hardware kit, please refer to the sliding hardware kit installation instruction included in the package.