

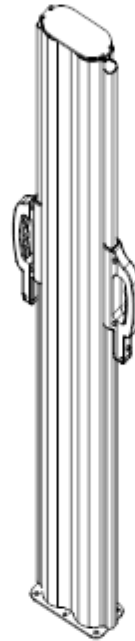
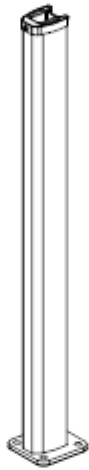
# COSTWAY

OP3570/OP3572

The Carton include following parts

Stand fix (X 2 piece)

The cassette part (X2 piece)



$\Phi$  10×50 plastic expansion tube (X14 PCS)

M8×75 hexagon tapping bolt (X14 PCS)

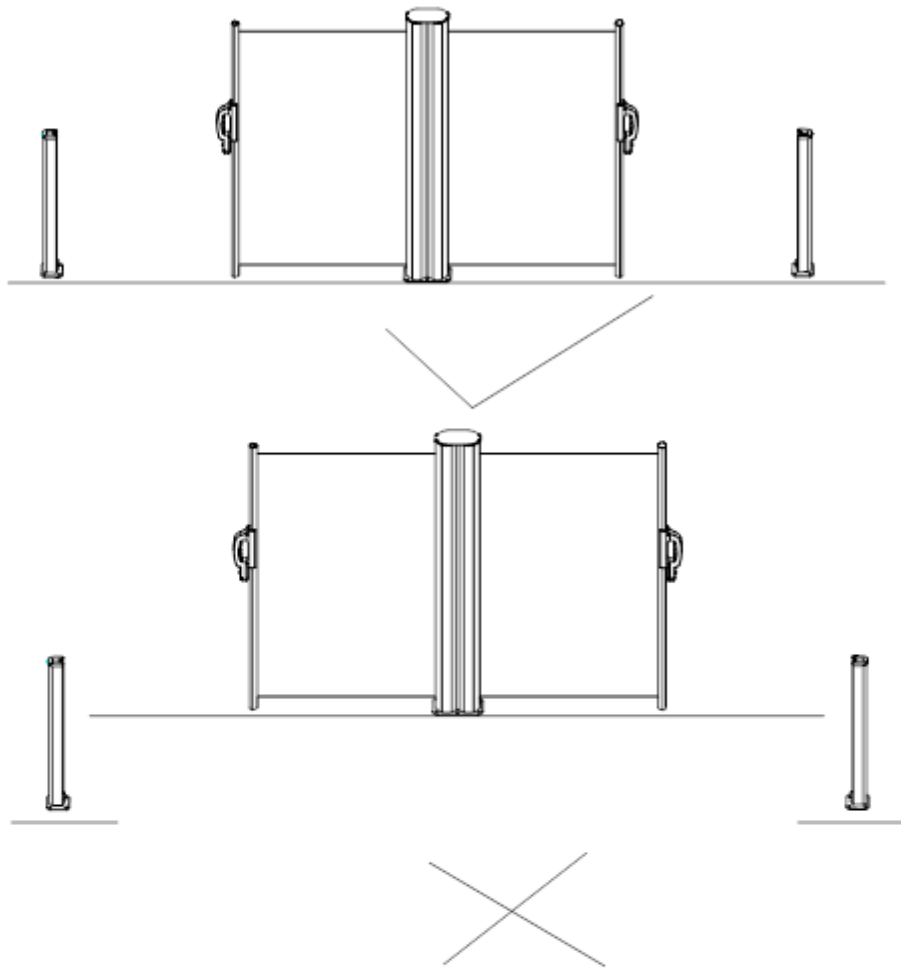
$\Phi$  8 washer (X14 PCS)

Instruction manual (1piece)

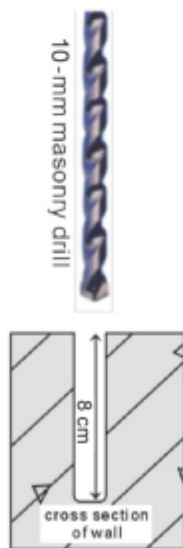


## Installation Steps

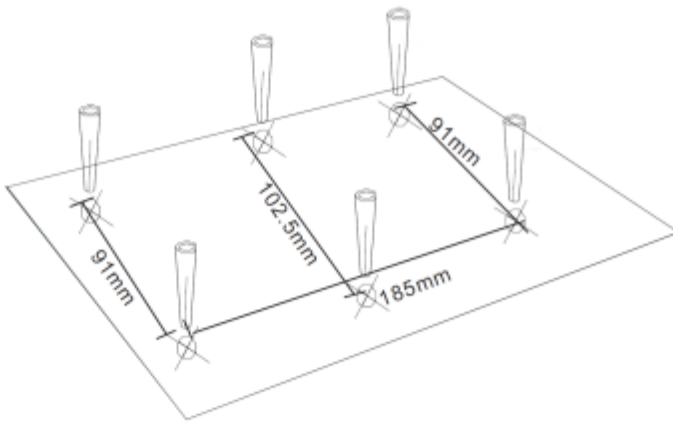
Warning: When mounting the awning, keep the main part and stand column on the horizon, or the fabric will deformation and difficult to open and close.



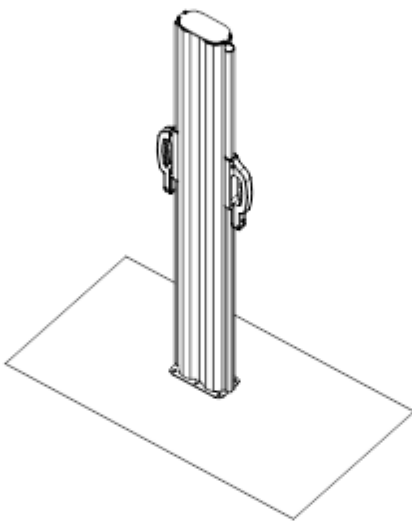
1, Drill six 10mm diameter 8cm deep holes in the size as the following picture shows



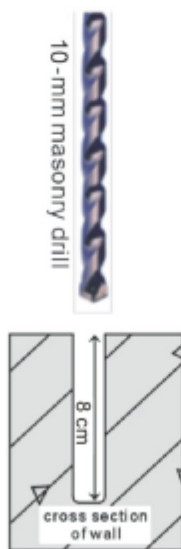
2. Insert one  $\Phi 10 \times 50$  mm plastic expansion tube (6pcs) in each of holes



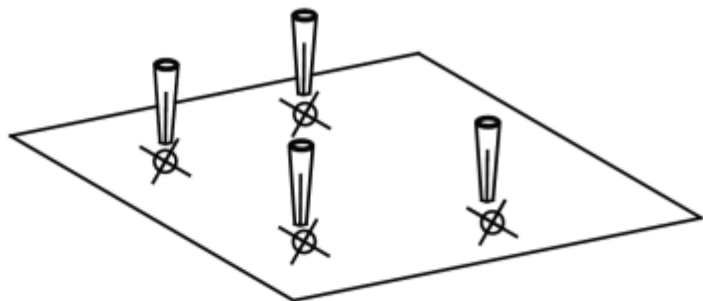
3. Make the bottom hole of cassette and the hole on the floor alignment, and tighten them with M8x75 hexagon tapping bolt.



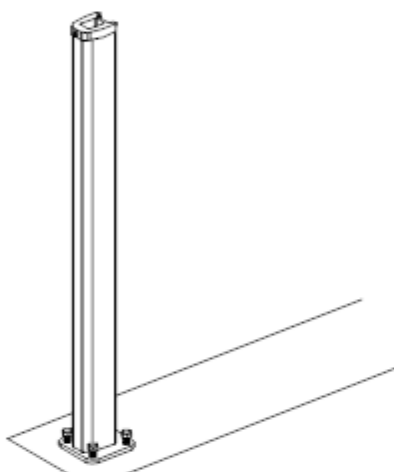
4. Drill four 10mm diameter 8cm deep holes on the floor in the size as the following picture shows



5. Insert one  $\Phi$  10x50 mm plastic expansion tube (4pcs) in each of holes



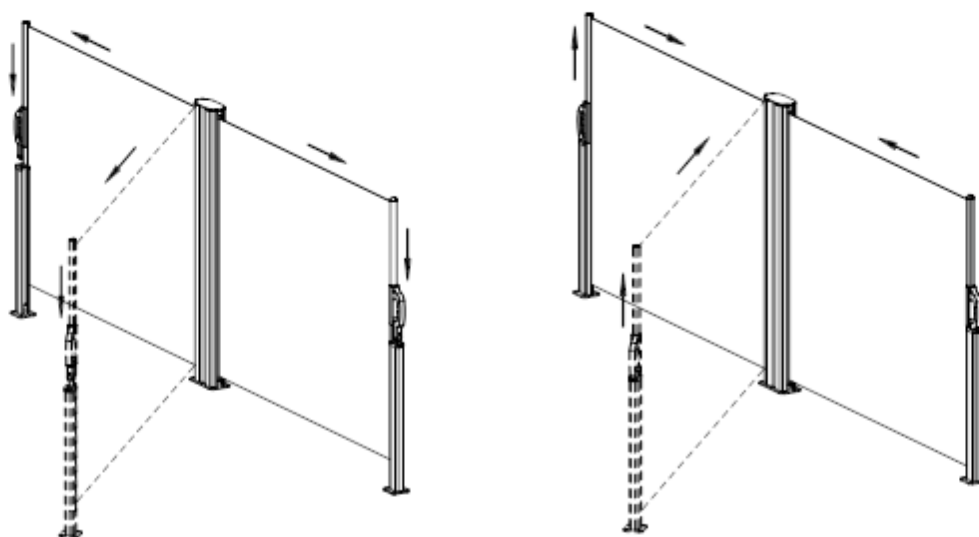
6. Make the left bottom hole of stand fix and the hole on the floor alignment, and tighten them with M8x75 hexagon tapping bolt.



7. Repeat step 4 to step 6 to fix right standing pole.

## Correct use

1. Keeping the front bar upright, hold the handle and push it above the stand column. Hold the handle, and press the handle spindle that the pin come into the handle, and then put the handle into the stand column.



2. When you want to close it, to hold the handle and pull up the handle spindle. Keeping the fabric horizontal and

push the handle back to the cover slowly.

