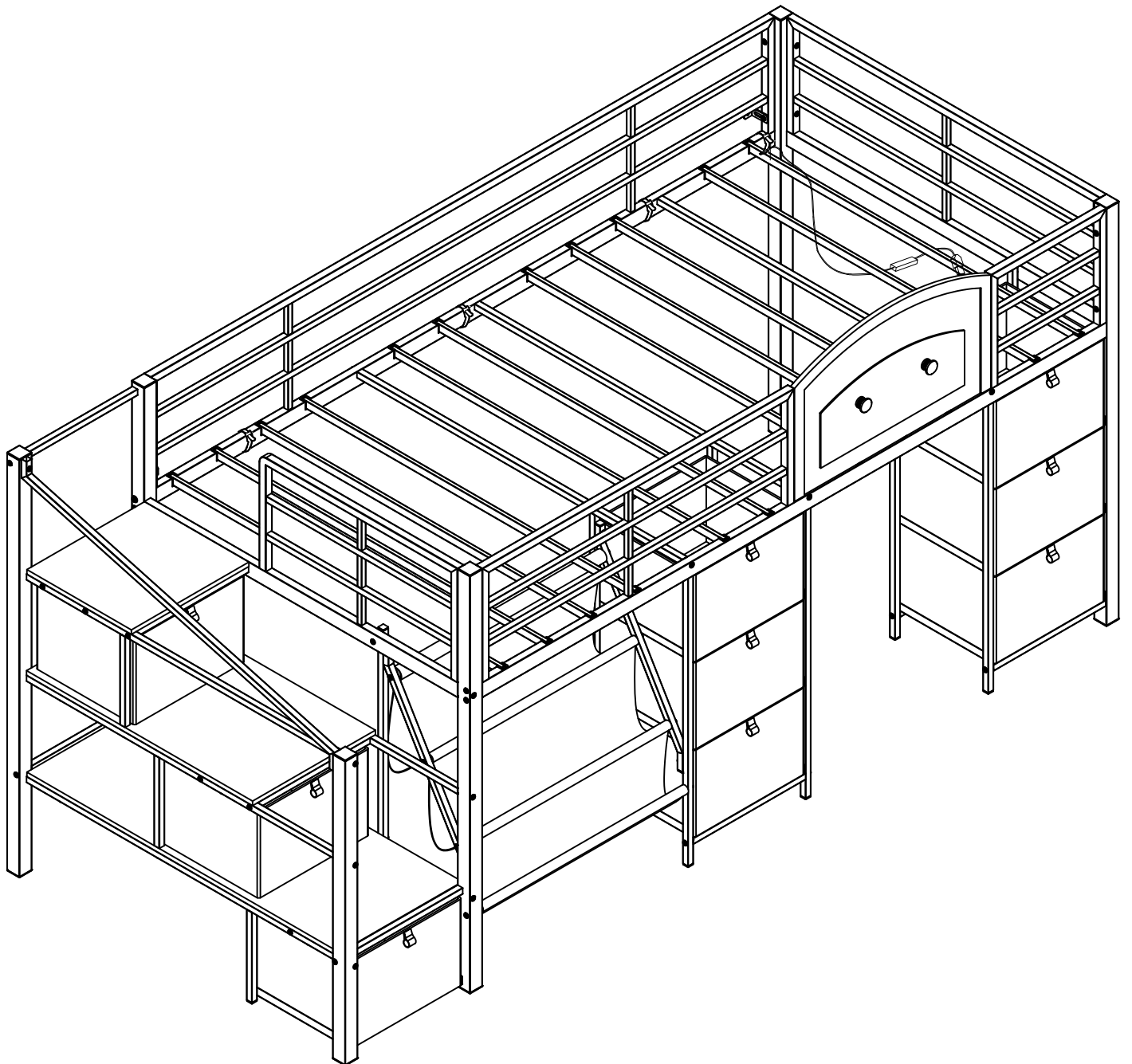
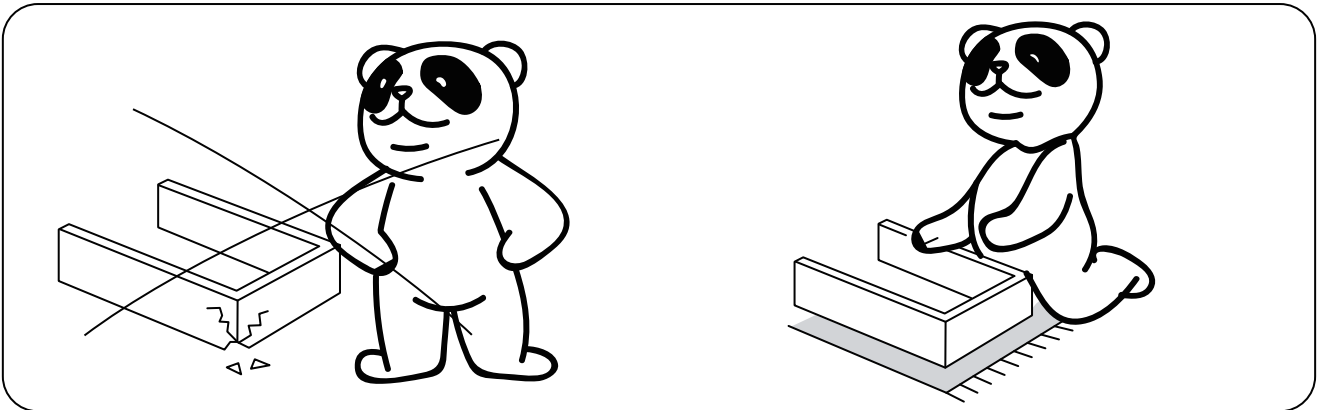
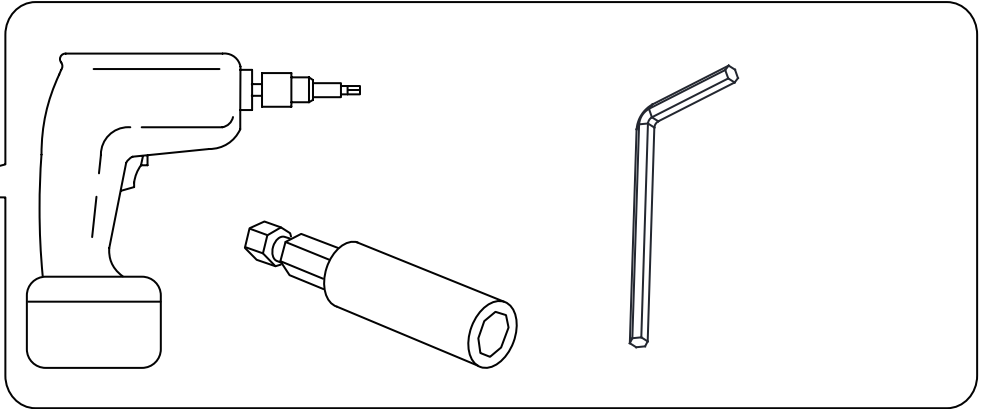


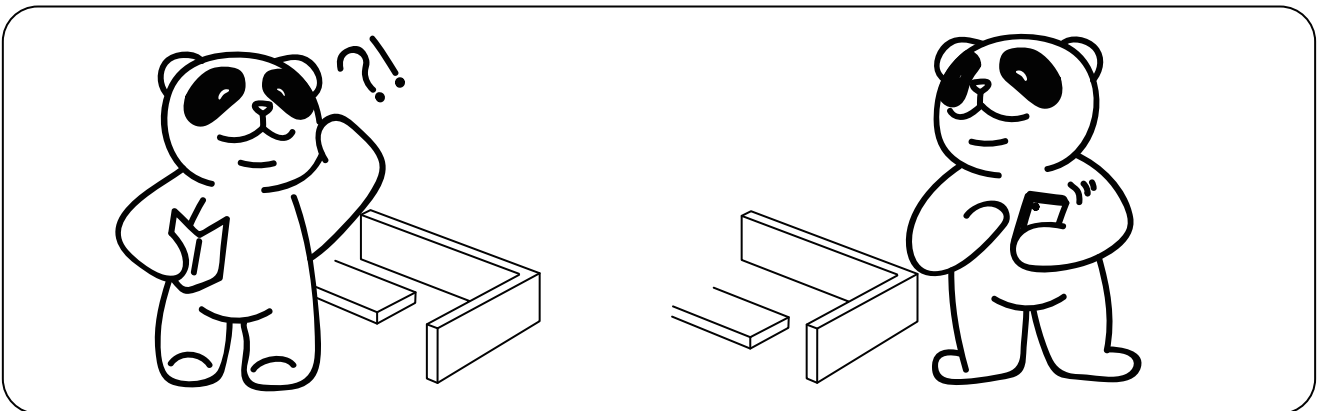
Loft Bed



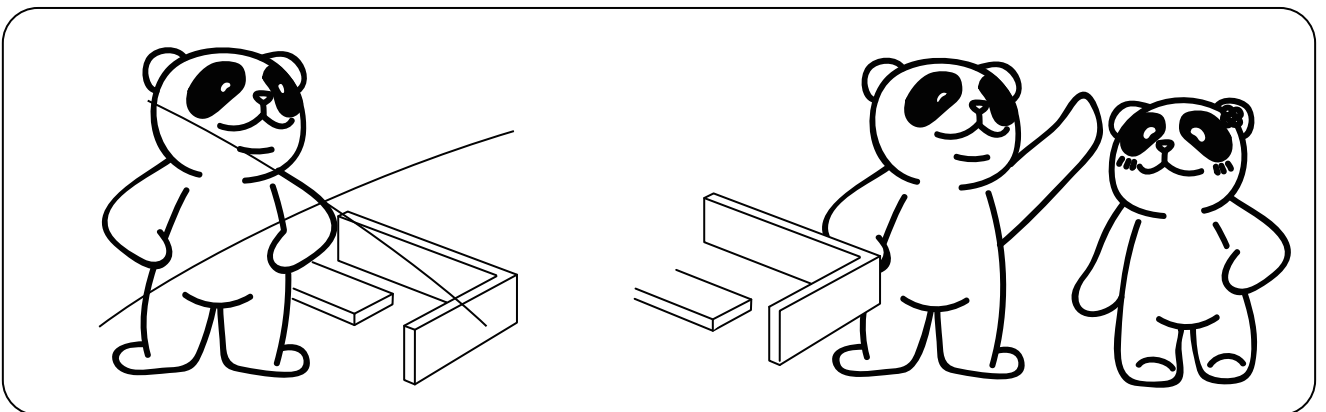
Version 1.0



Violent installation is prohibited



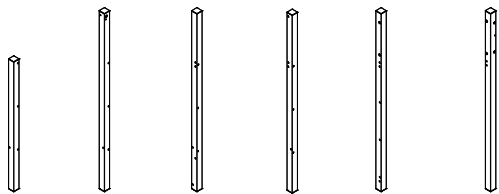
Please call if you need help



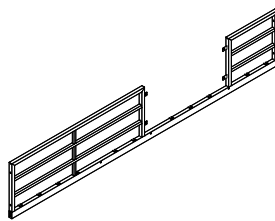
Multi-person cooperation is recommended

Install parts

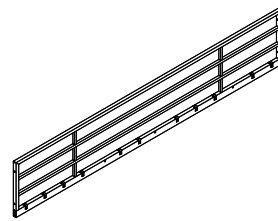
PARTS LIST



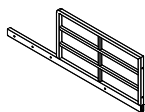
1 x1 2 x1 3 x1 4 x1 5 x1 6 x1



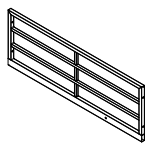
7 x1



8 x1



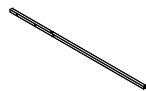
9 x1



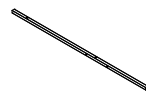
10 x1



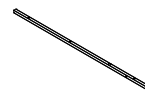
11 x1



12 x1



13 x1



14 x1



15 x1



16 x1



17 x1



18 x2



19 x2



20 x11



21 x4



22 x3



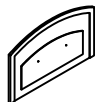
23 x1



24 x1



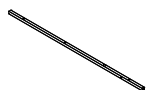
25 x4



26 x1



27 x1



28 x1



29 x7



30 x7



31 x1



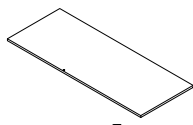
32 x2



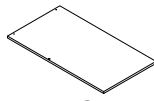
33 x1



34 x2



35 x1



36 x1



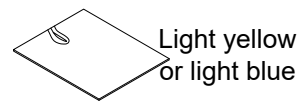
37 x1



38 x2



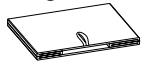
39 x11



40 x3

Light yellow or light blue

Light yellow or light blue



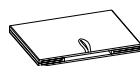
41 x3



42 x2

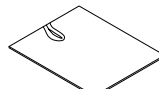


43 x1



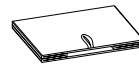
Light pink or deep blue

44 x3



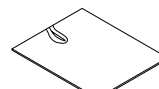
Light pink or deep blue

45 x3



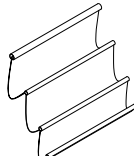
Deep pink or gray

46 x3

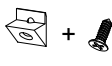


Deep pink or gray

47 x3



48 x1



49 x2

Install parts

HARDWARE LIST



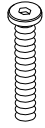
A

M6*10
x8+1



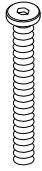
B

M6*24
x13+1



C

M6*35
x52+5



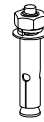
D

M6*60
x30+3



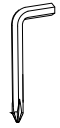
E

M6 washer
x27+2



F

M6
x2



G

4#
x1



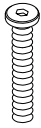
H

4#
x1



I

M6
x1

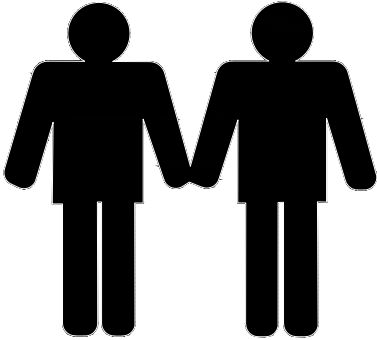


J

M6*30
x7+1

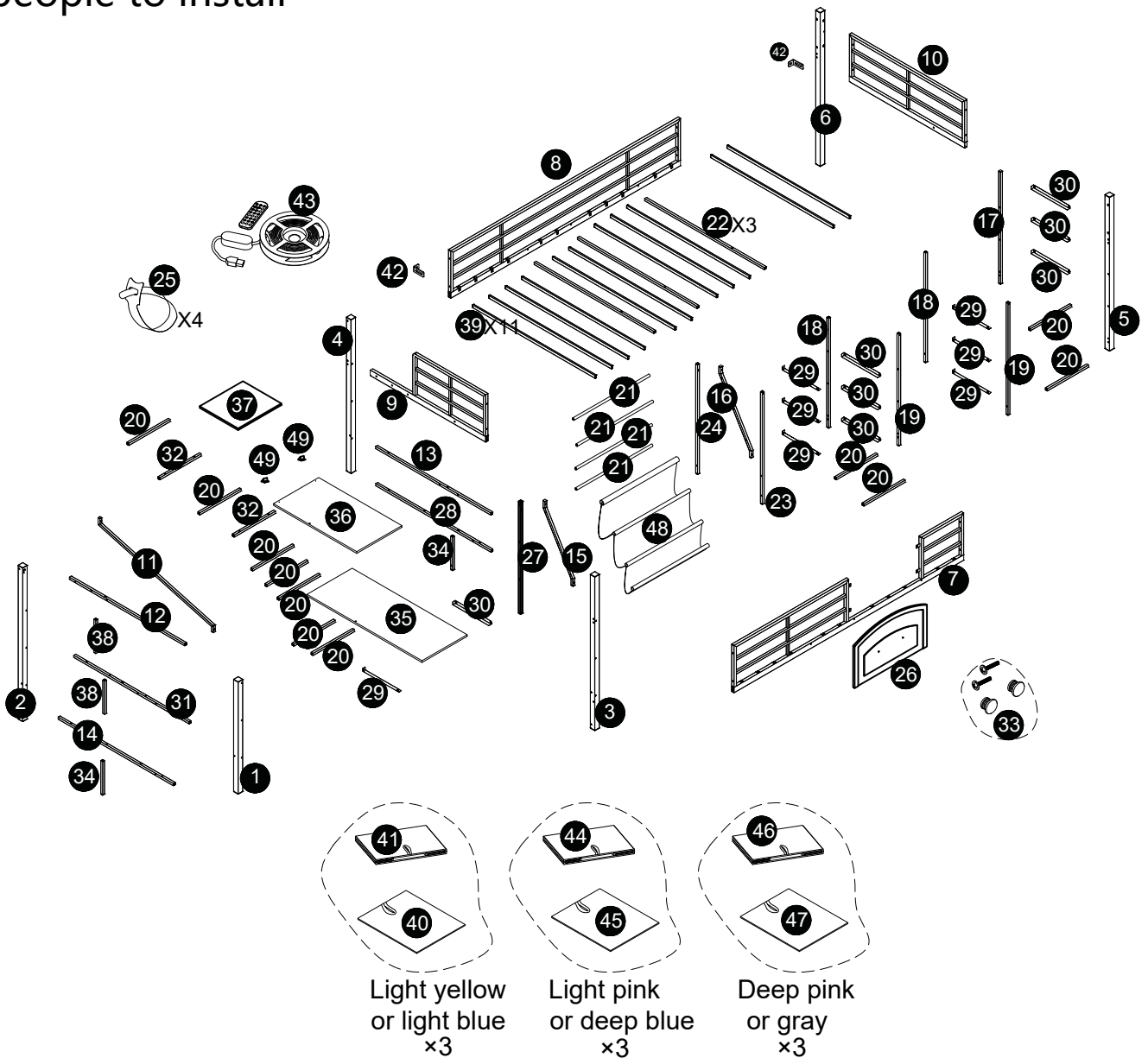
Note:

- 1, Should be assembled on flat ground to keep balance.
2. Before completing the installation, do not tighten the screws.

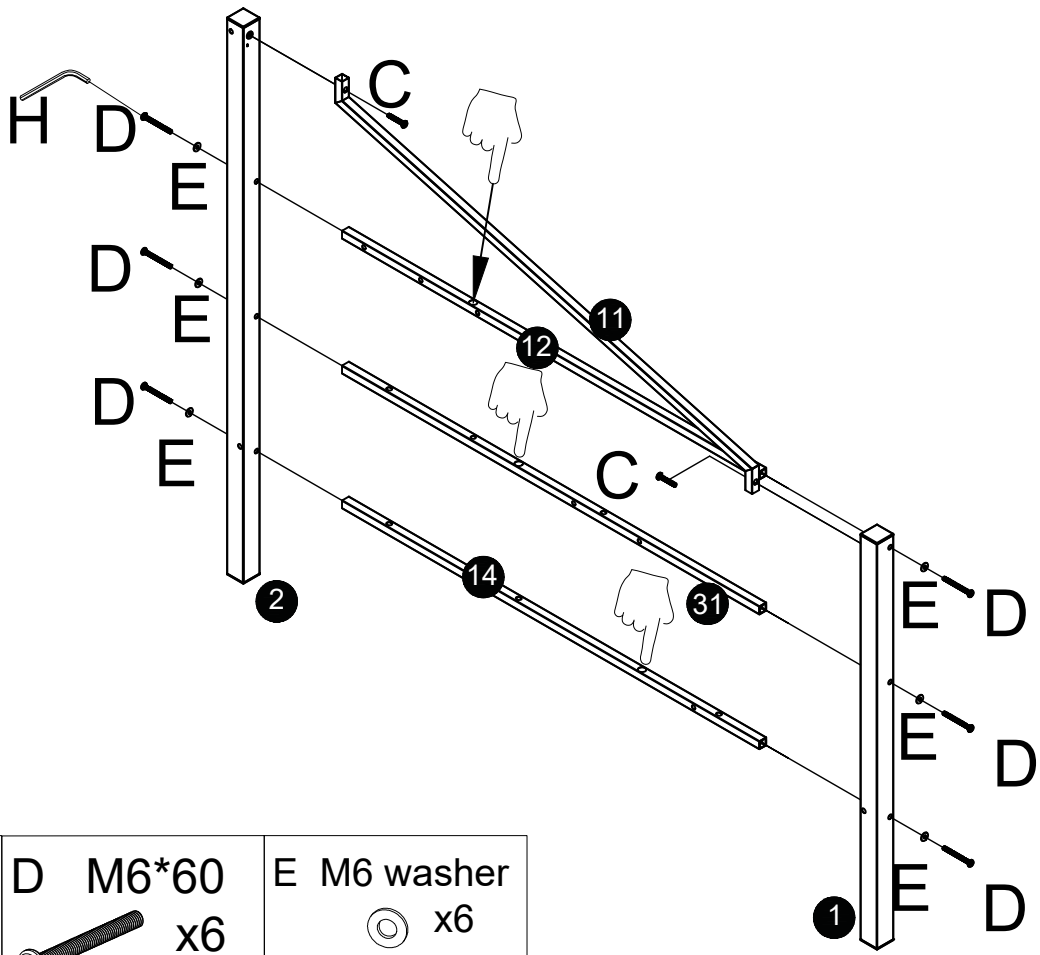


Before starting the assembly ,
you must read the whole manual
and follow the instructions .

It needs at least
two people to install



1

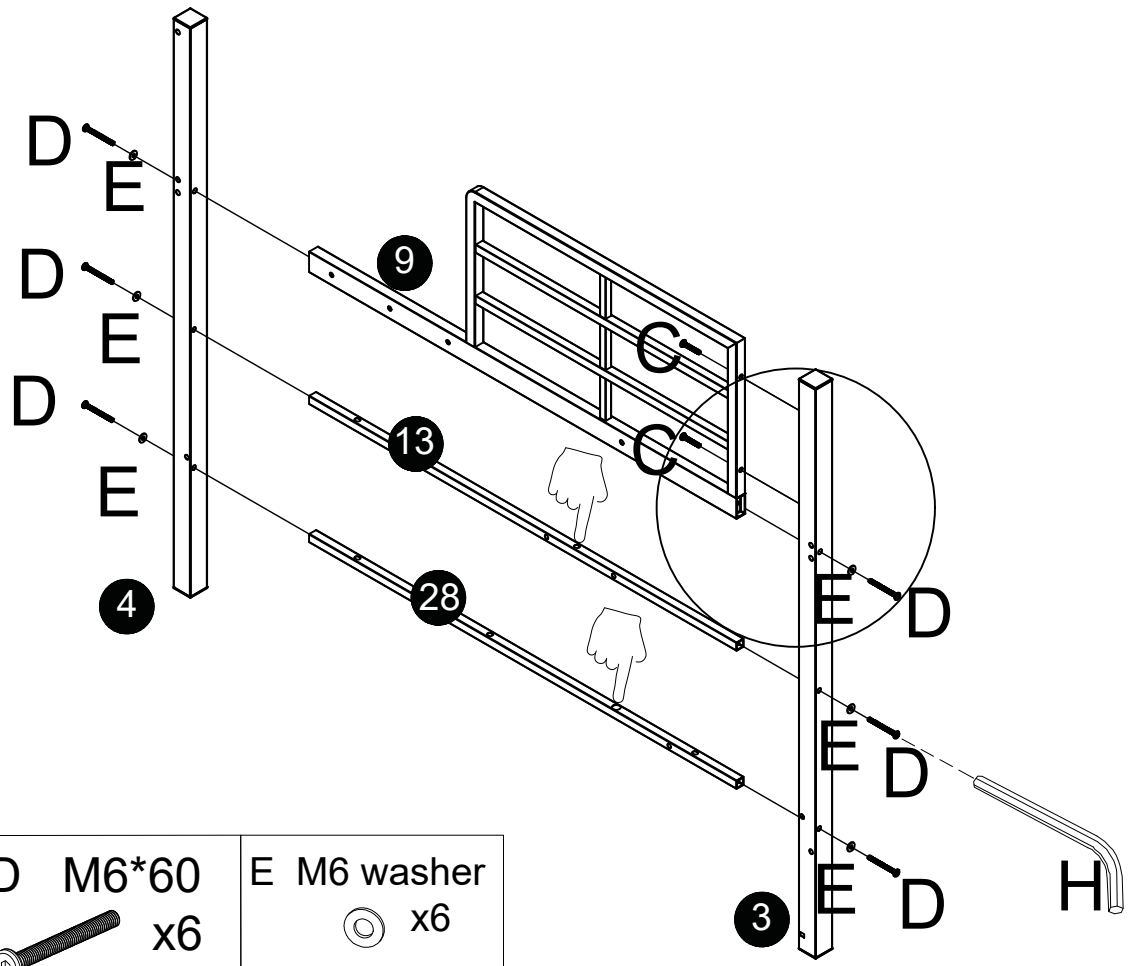


C M6*35
x2

D M6*60
x6

E M6 washer
x6

2

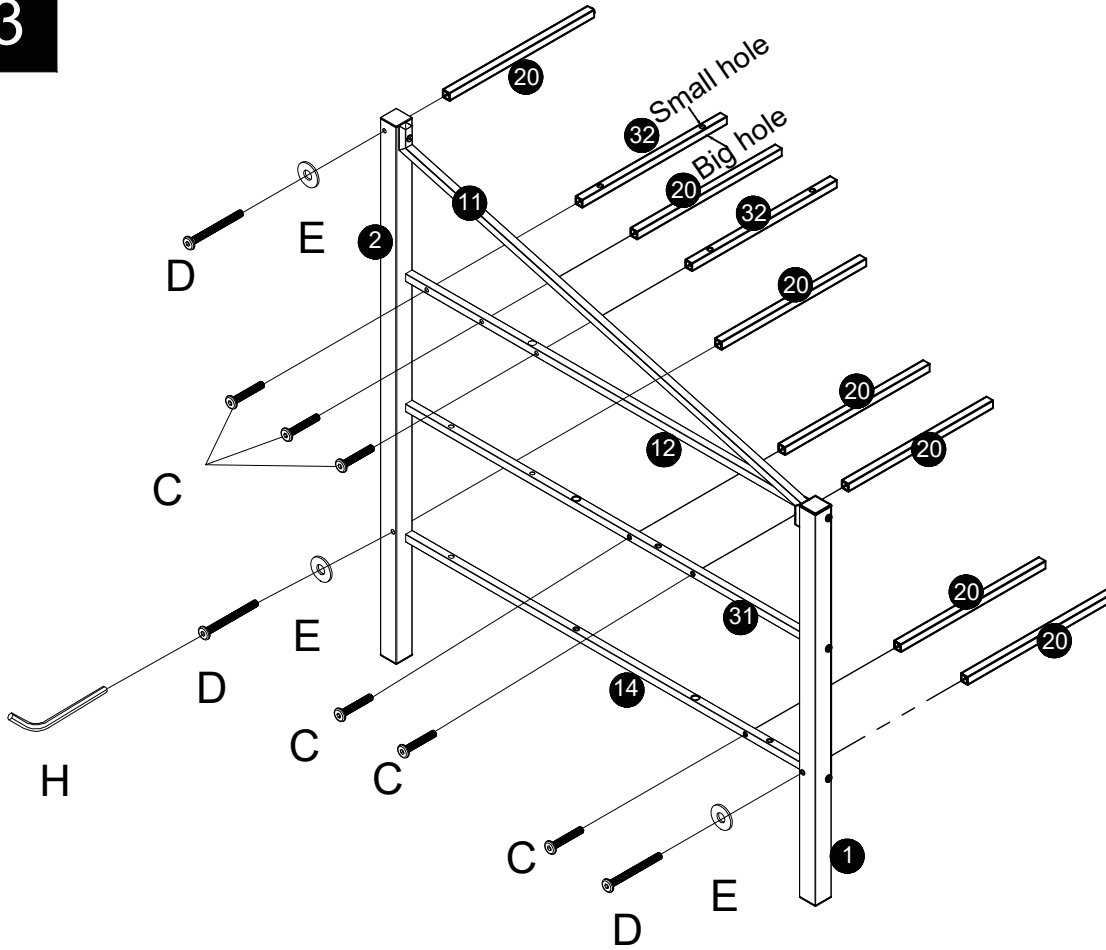


C M6*35
x2

D M6*60
x6

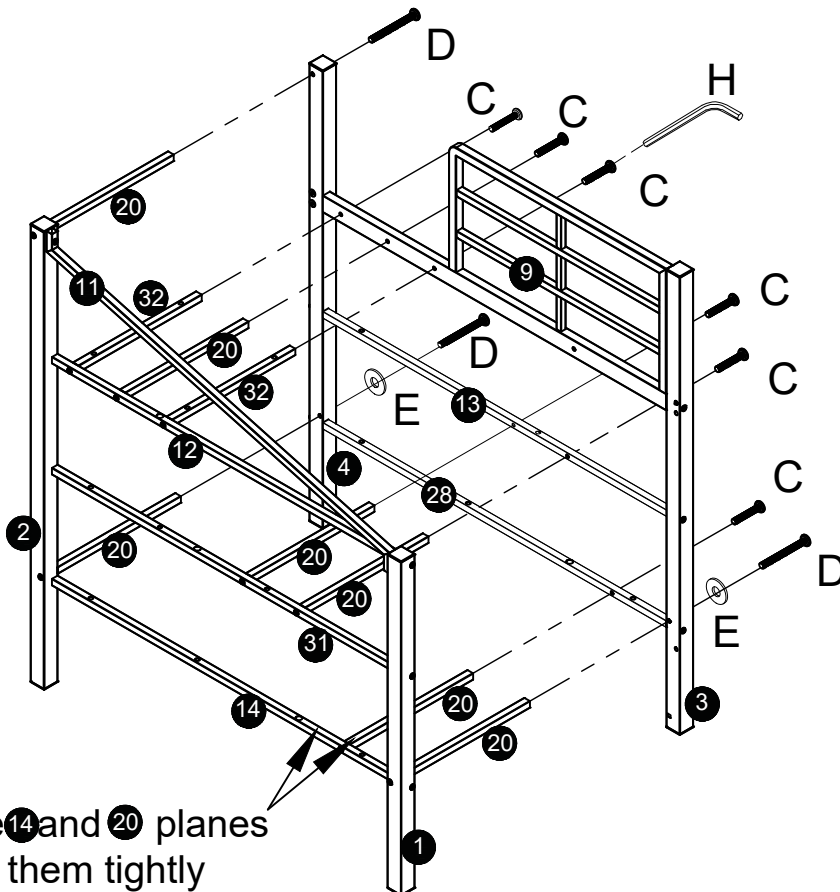
E M6 washer
x6

3



- C M6*35 x6
- D M6*60 x3
- E M6 washer x3

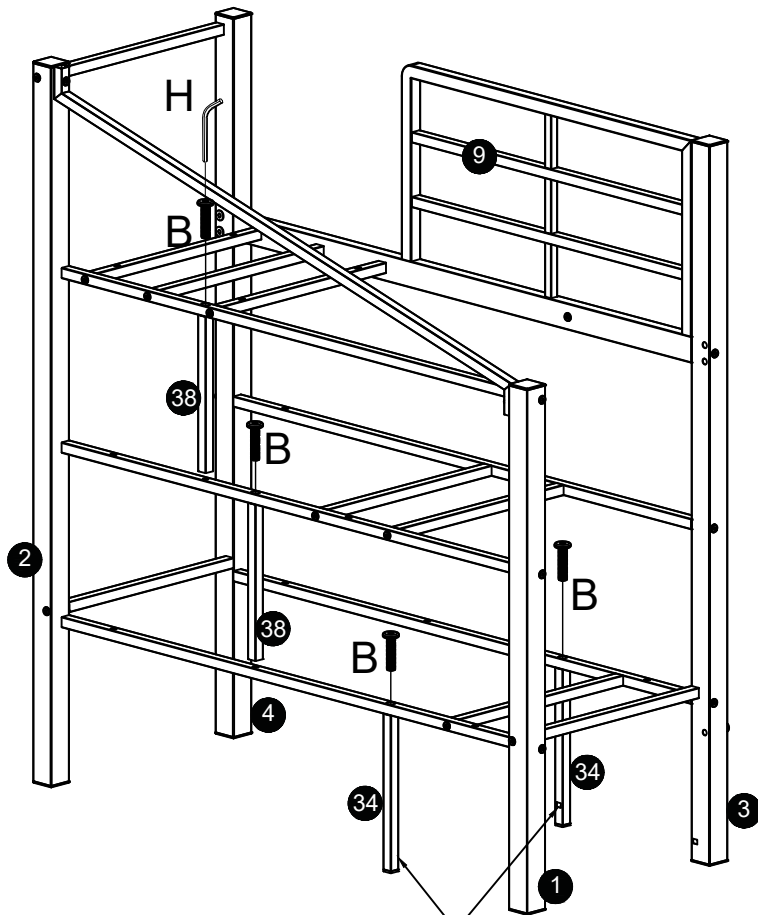
4



Align the 14 and 20 planes and lock them tightly

- C M6*35 x6
- D M6*60 x3
- E M6 washer x2

5

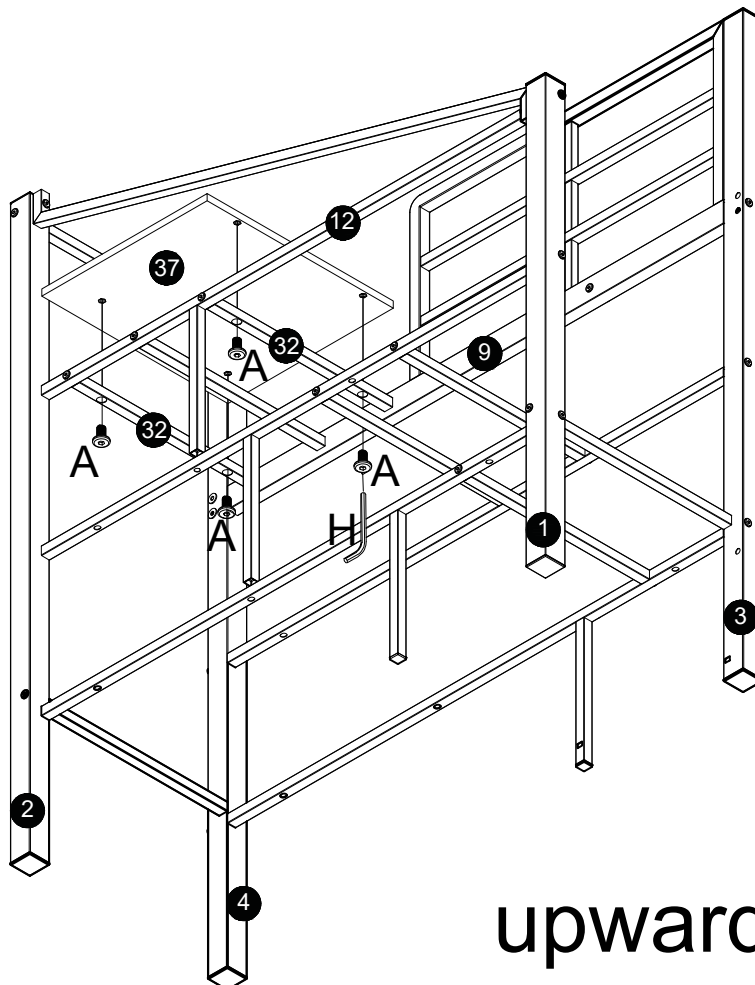


B M6*24
x4



Square holes are opposite to each other.

6

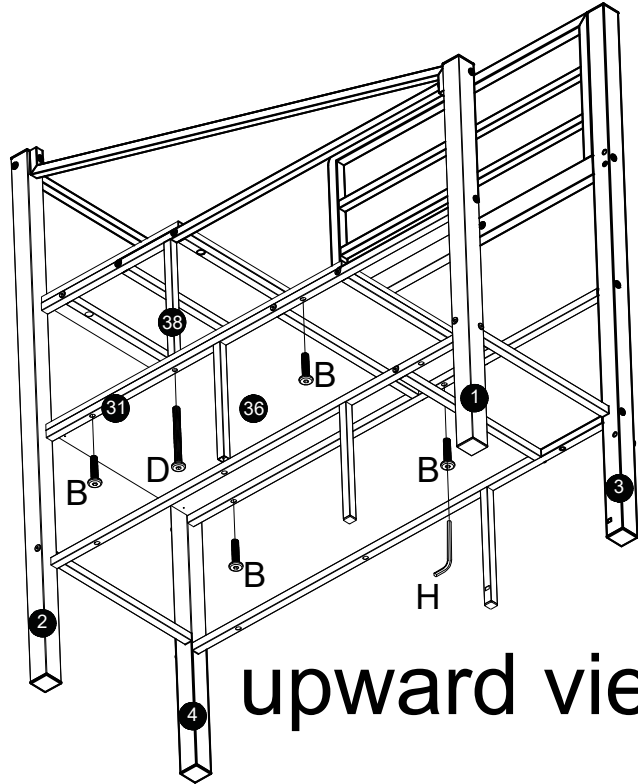
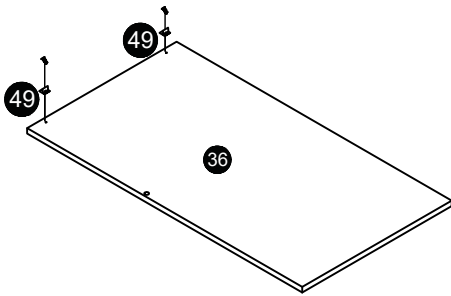
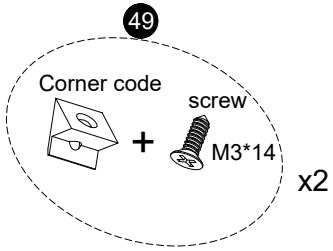


A M6*10
x4

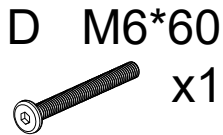
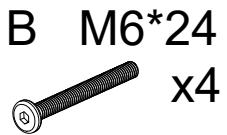


upward view

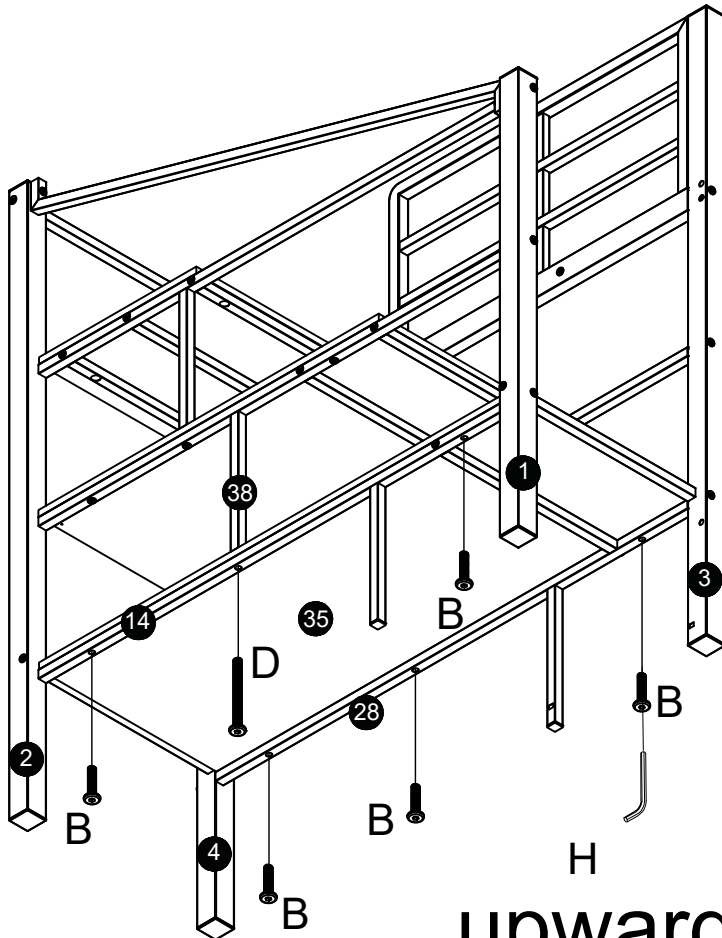
7



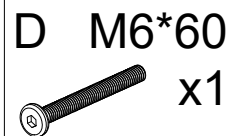
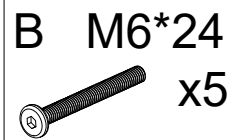
upward view



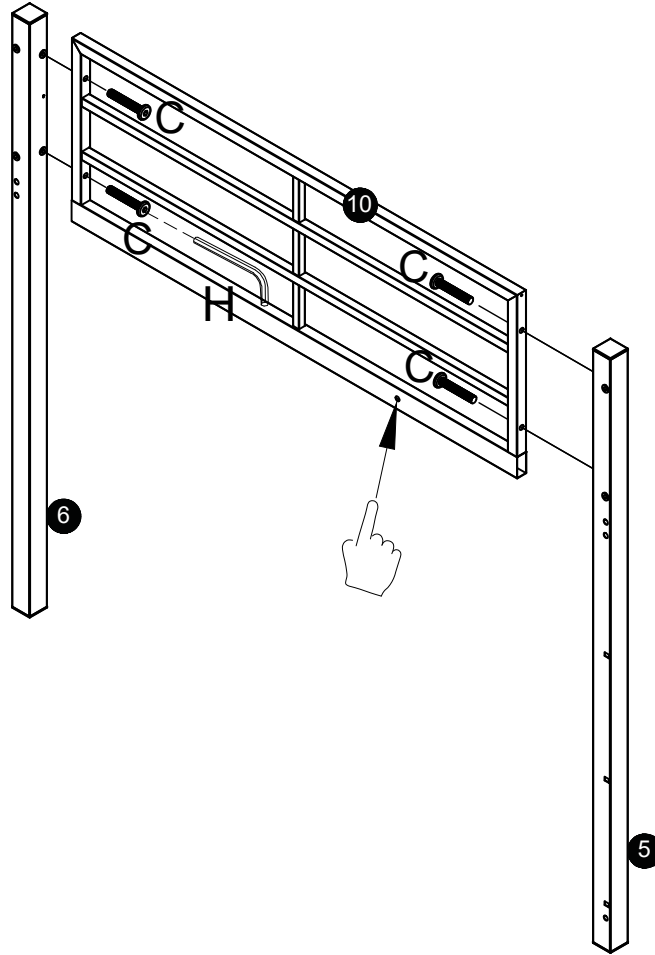
8



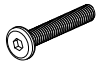
upward view



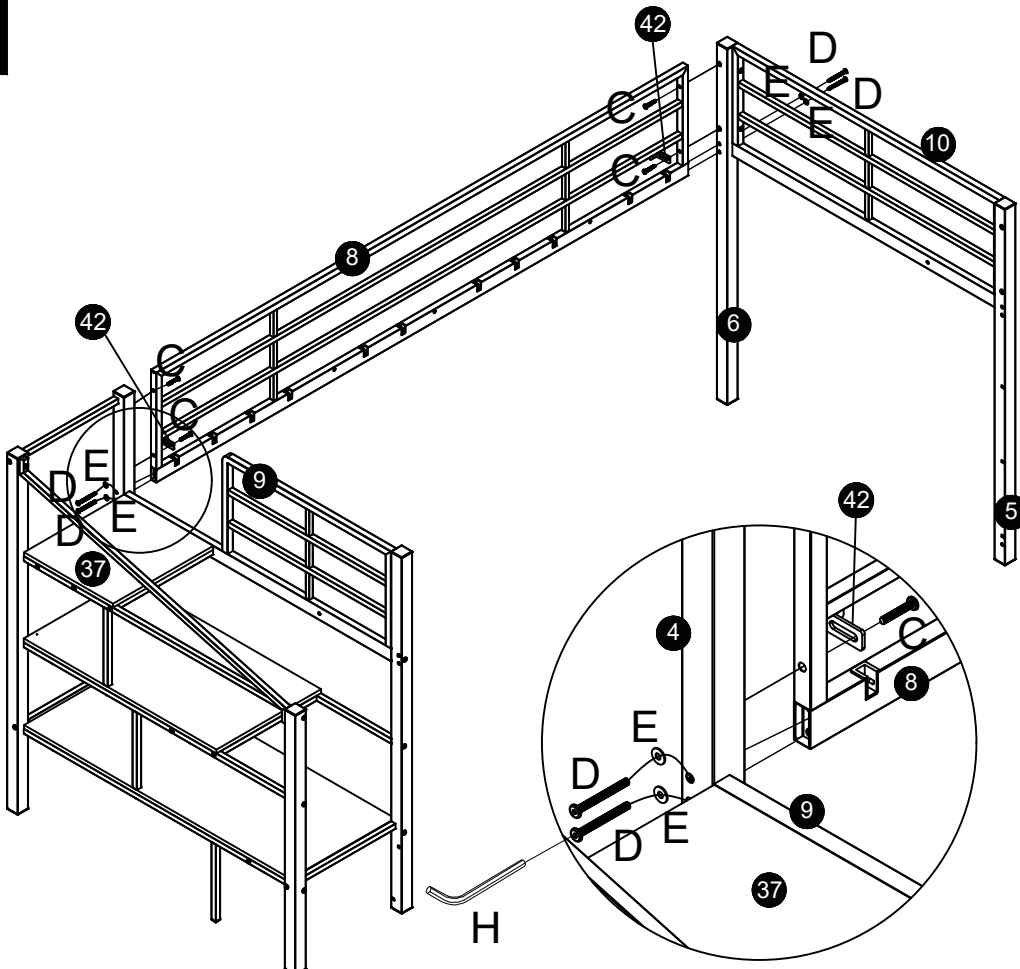
9



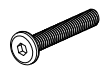
C M6*35
x4



10



C M6*35
x4



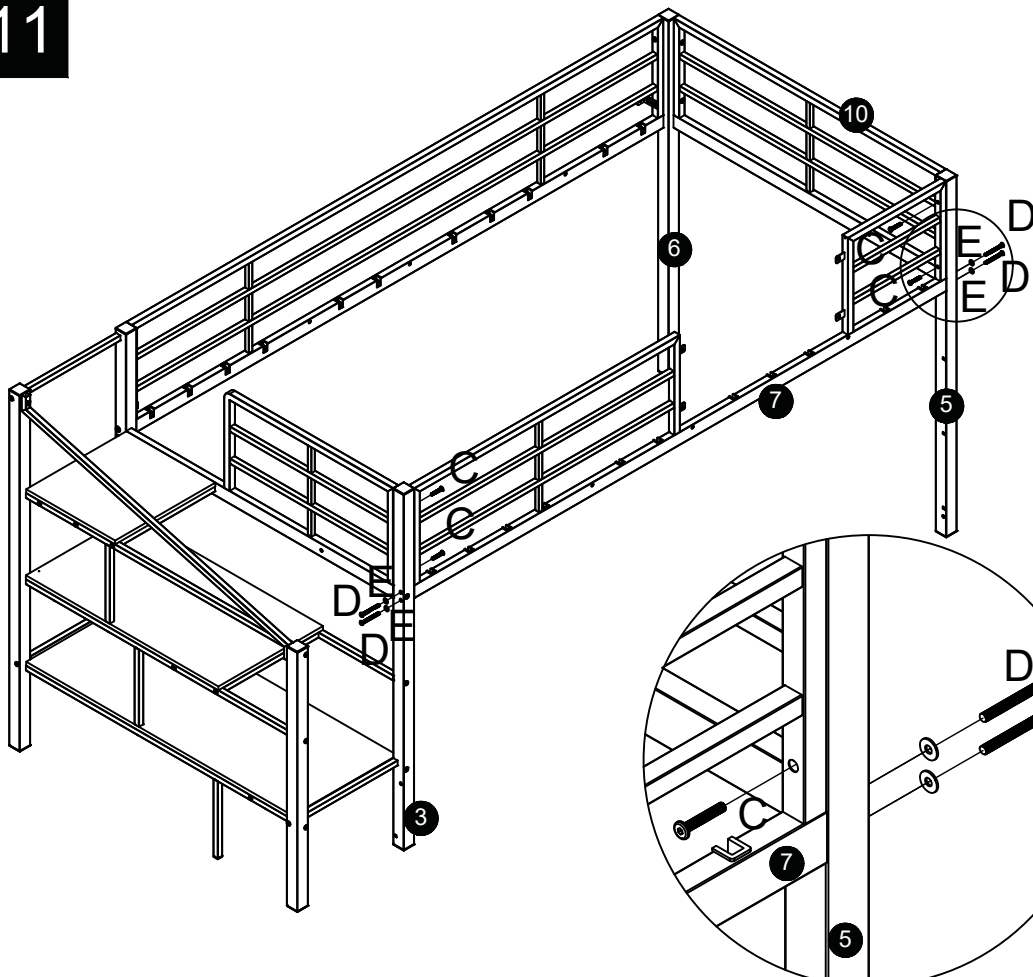
D M6*60
x4






E M6 washer
x4

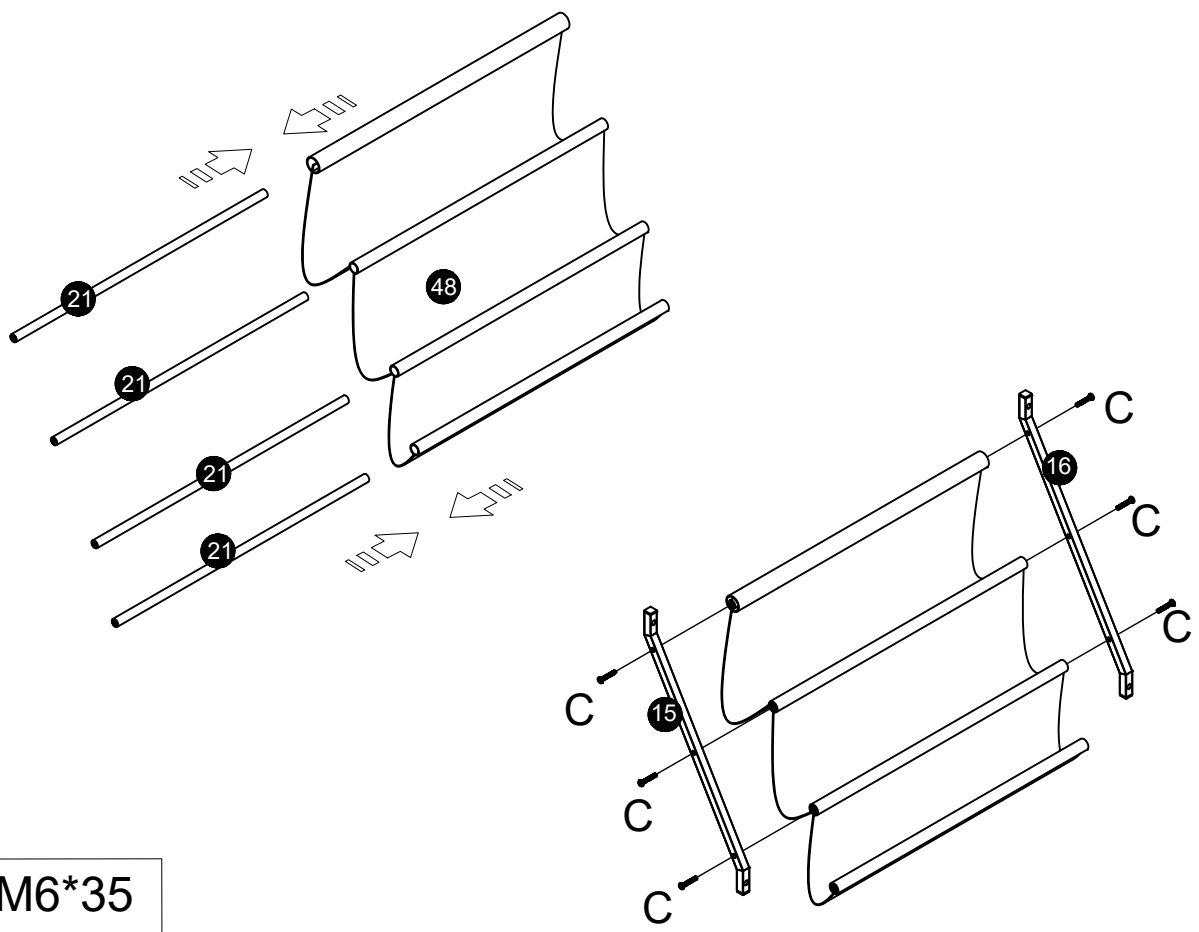



11



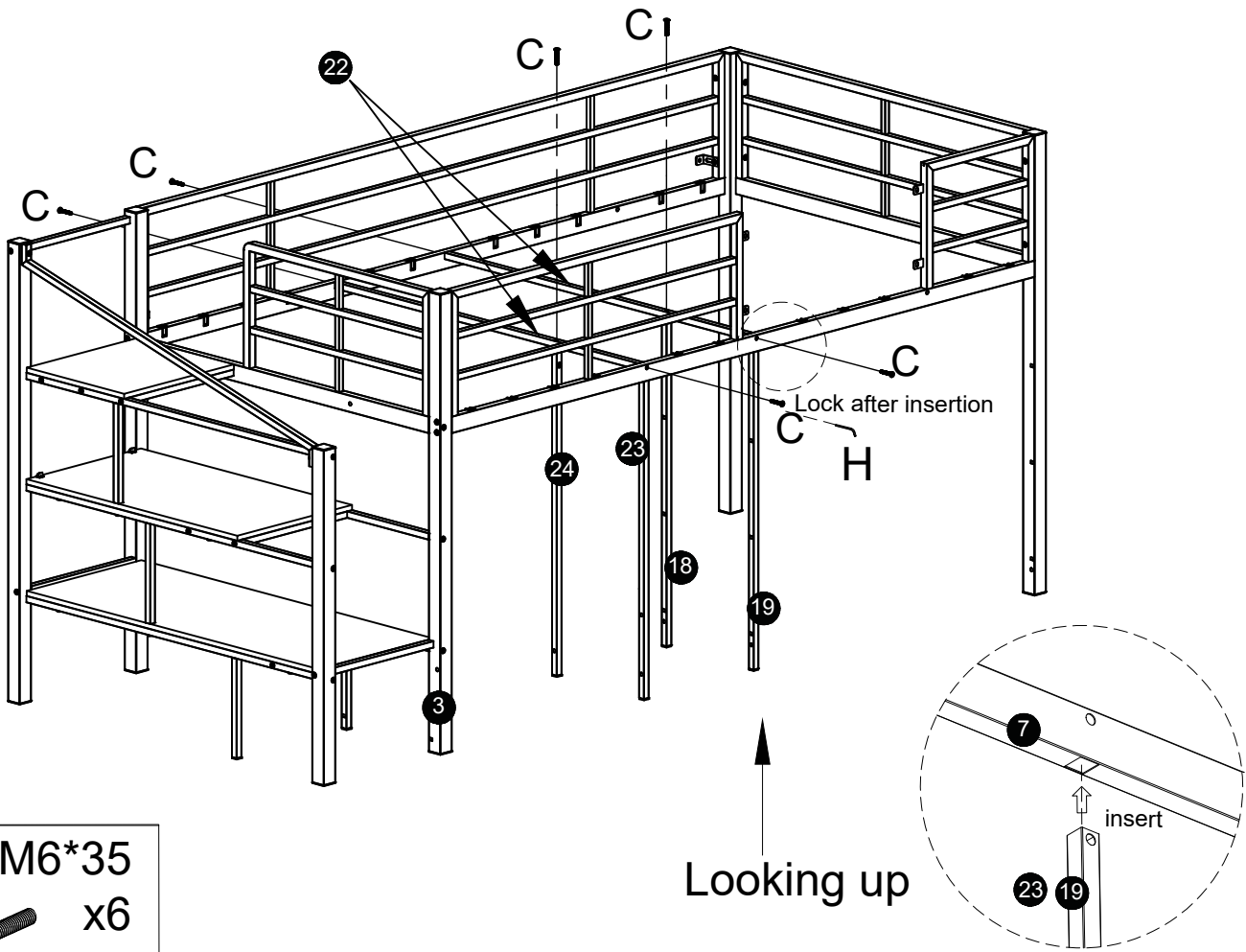
- C M6*35
 x4
- D M6*60
 x4
- E M6 washer
 x4

12



- C M6*35
 x6

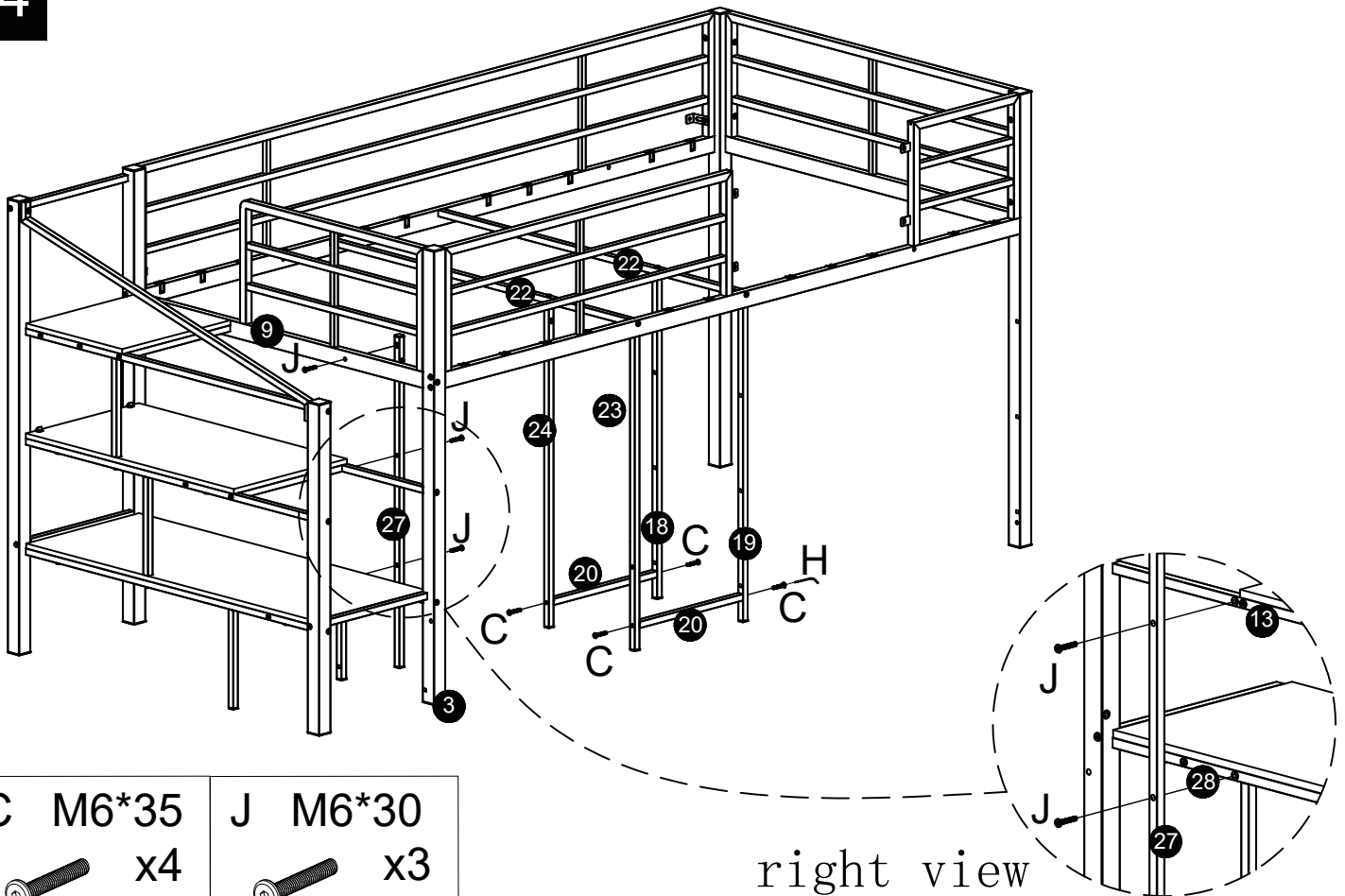
13



C M6*35
x6



14



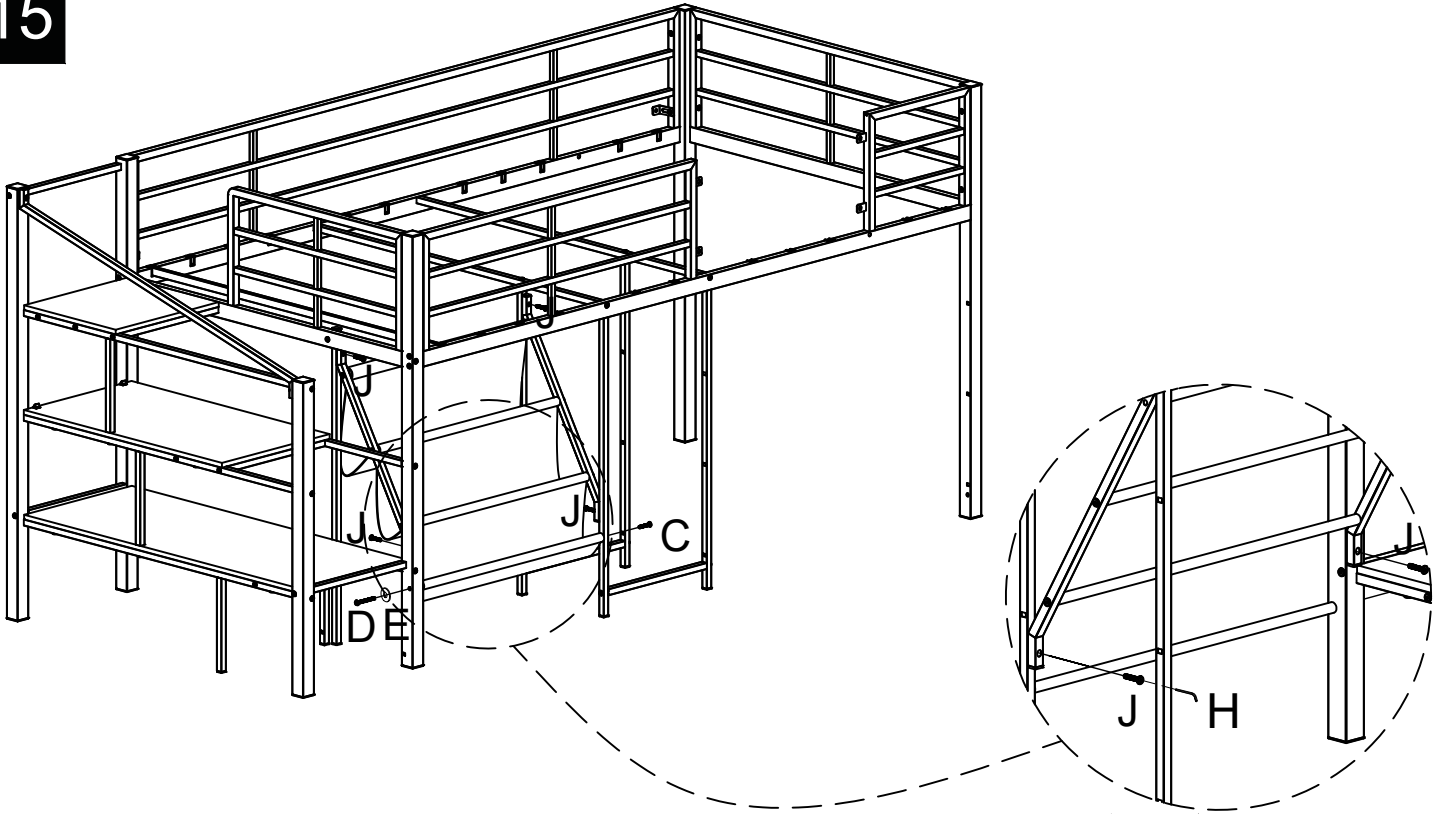
C M6*35
x4



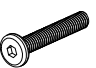



J M6*30
x3



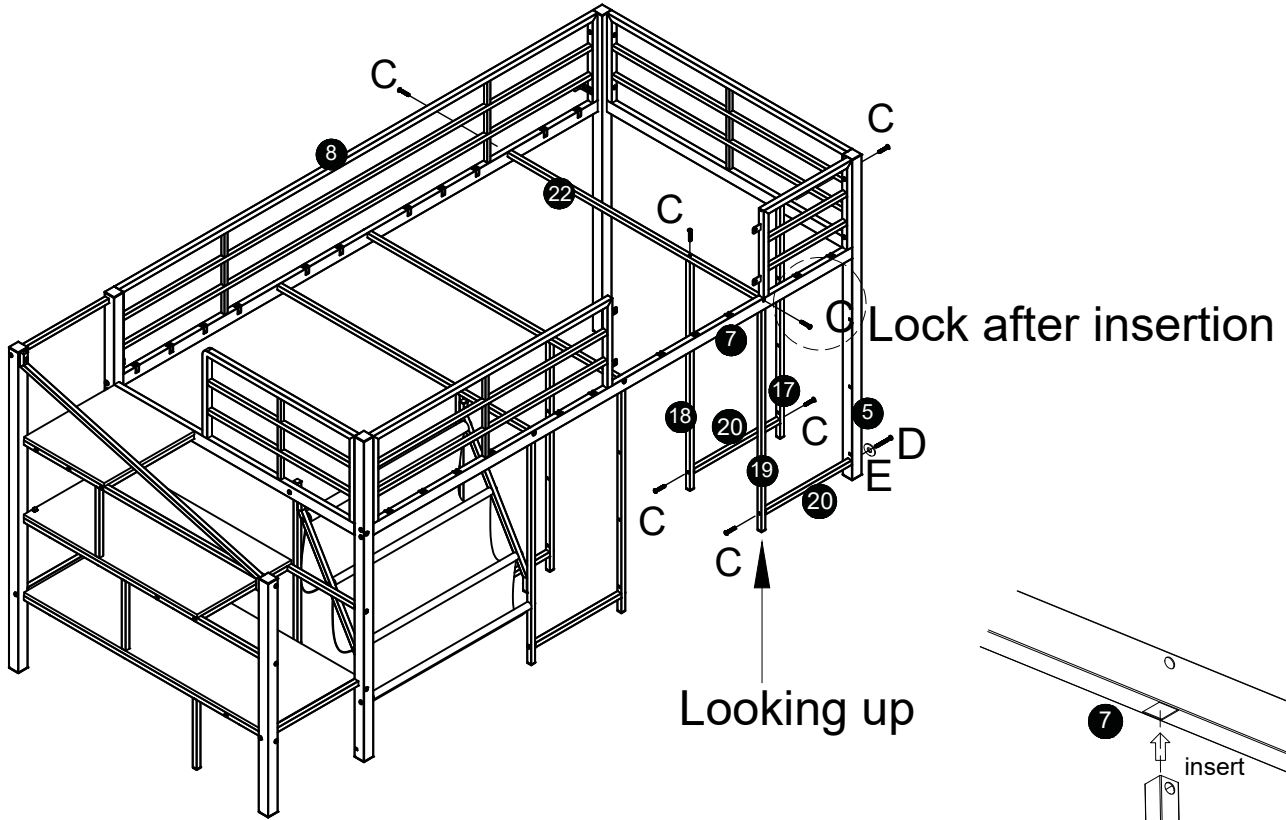
15



back view




<p>C M6*35 x1</p> 	<p>D M6*60 x1</p> 	<p>E M6 washer x1</p> 	<p>J M6*30 x4</p> 
--	--	--	--

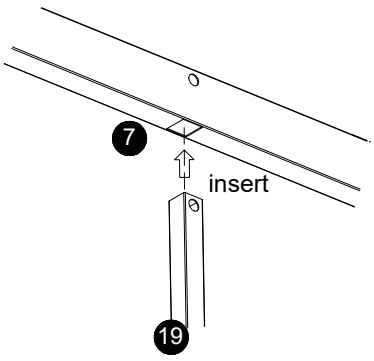
16



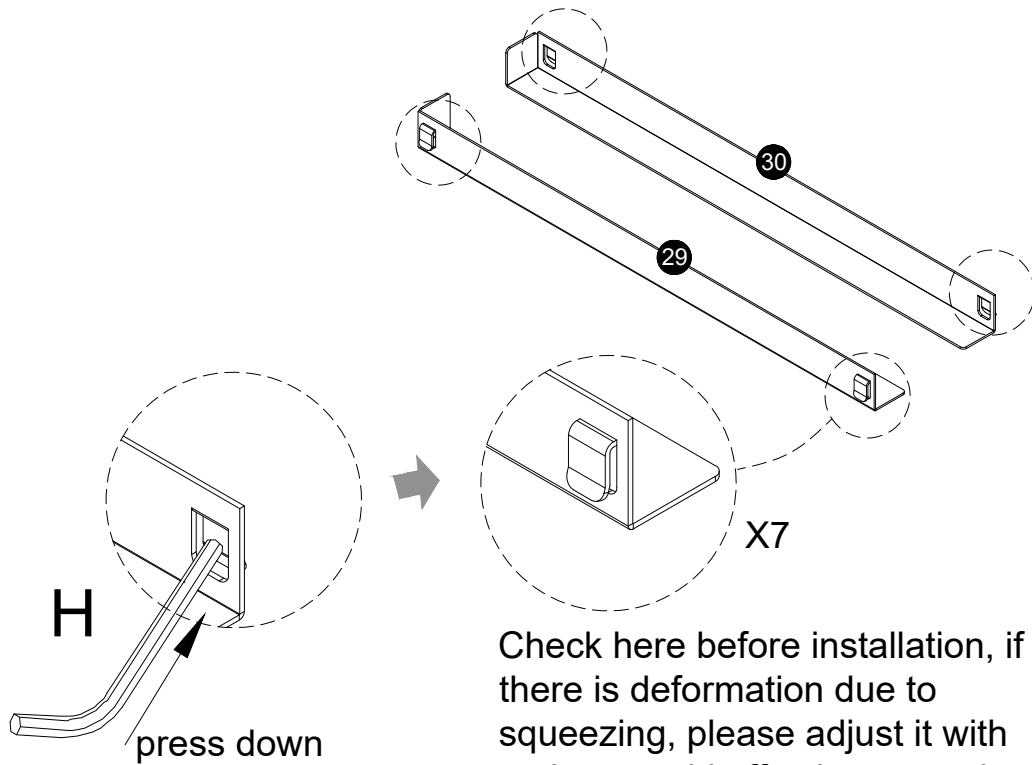
Looking up

Lock after insertion

<p>C M6*35 x7</p> 	<p>D M6*60 x1</p> 	<p>E M6 washer x1</p> 
--	--	--



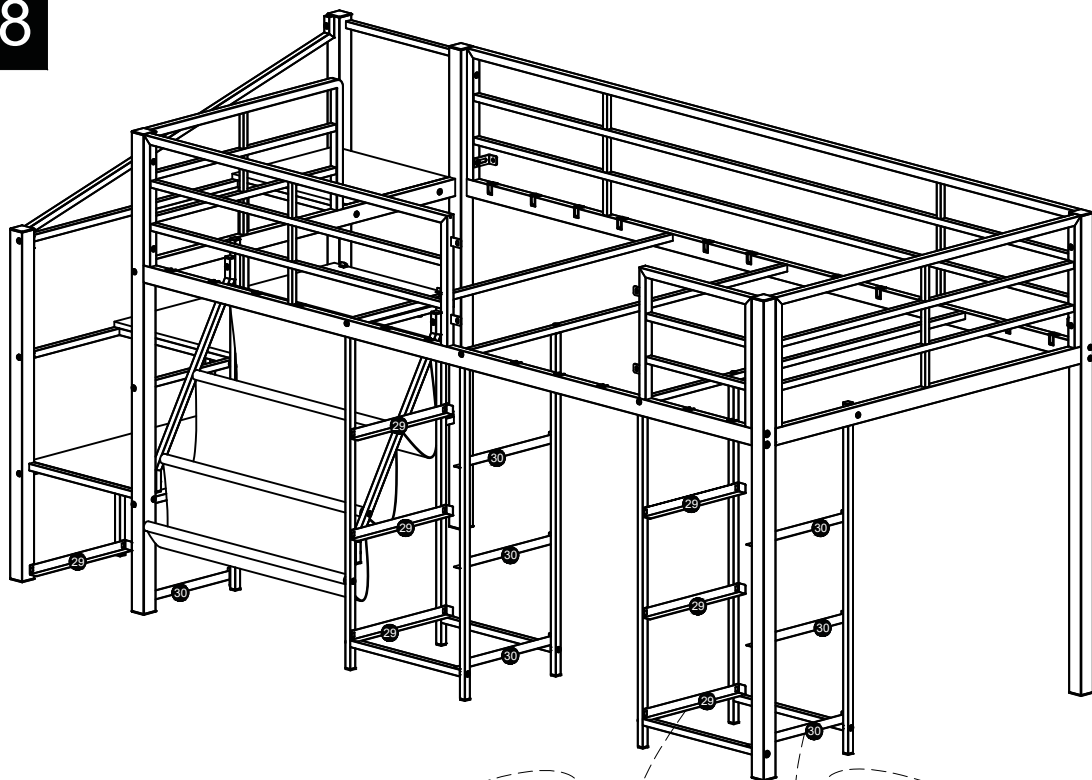
17



Please fine-tune in this direction to make it easier to install.

Check here before installation, if there is deformation due to squeezing, please adjust it with tools to avoid affecting normal installation.

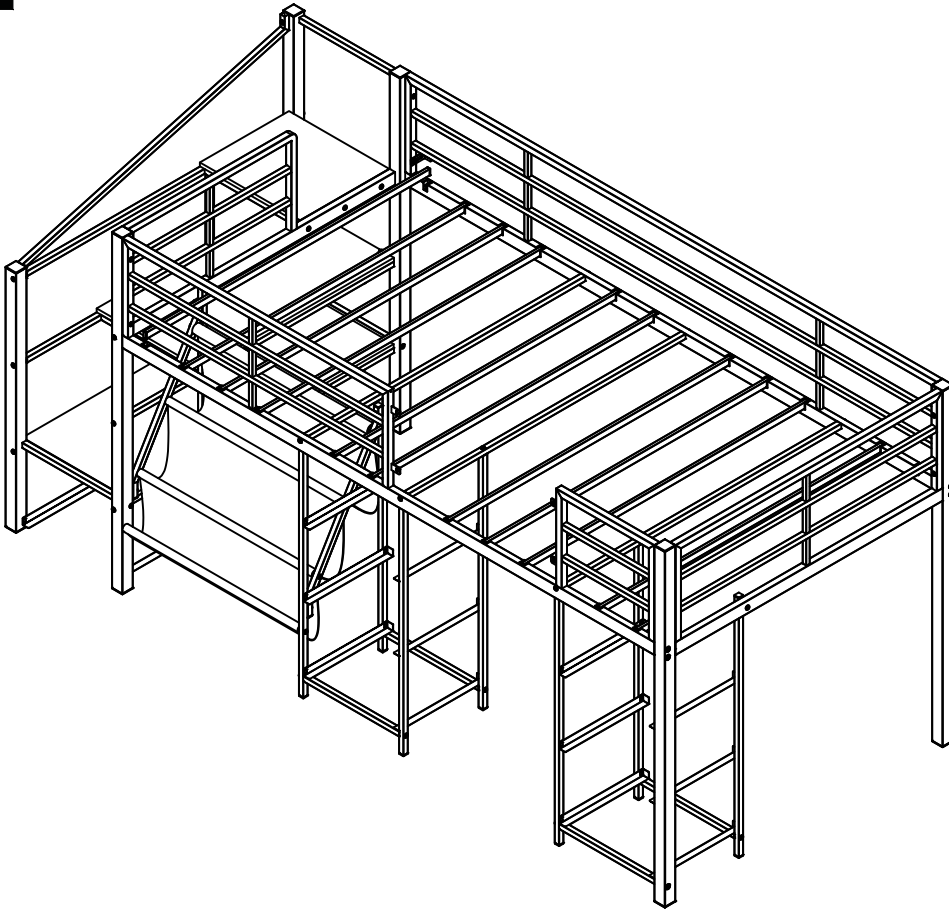
18



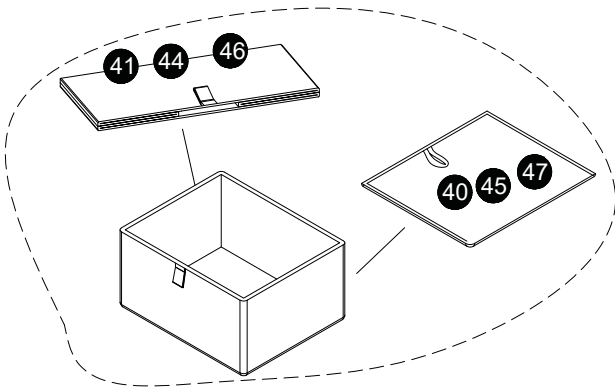
Insert the square hole in the direction of the Arrow and press down

Insert the square hole in the direction of the Arrow and press down

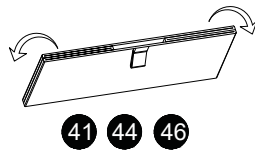
19



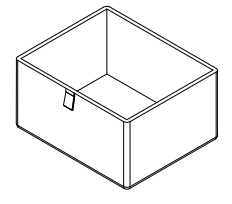
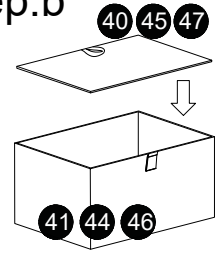
20



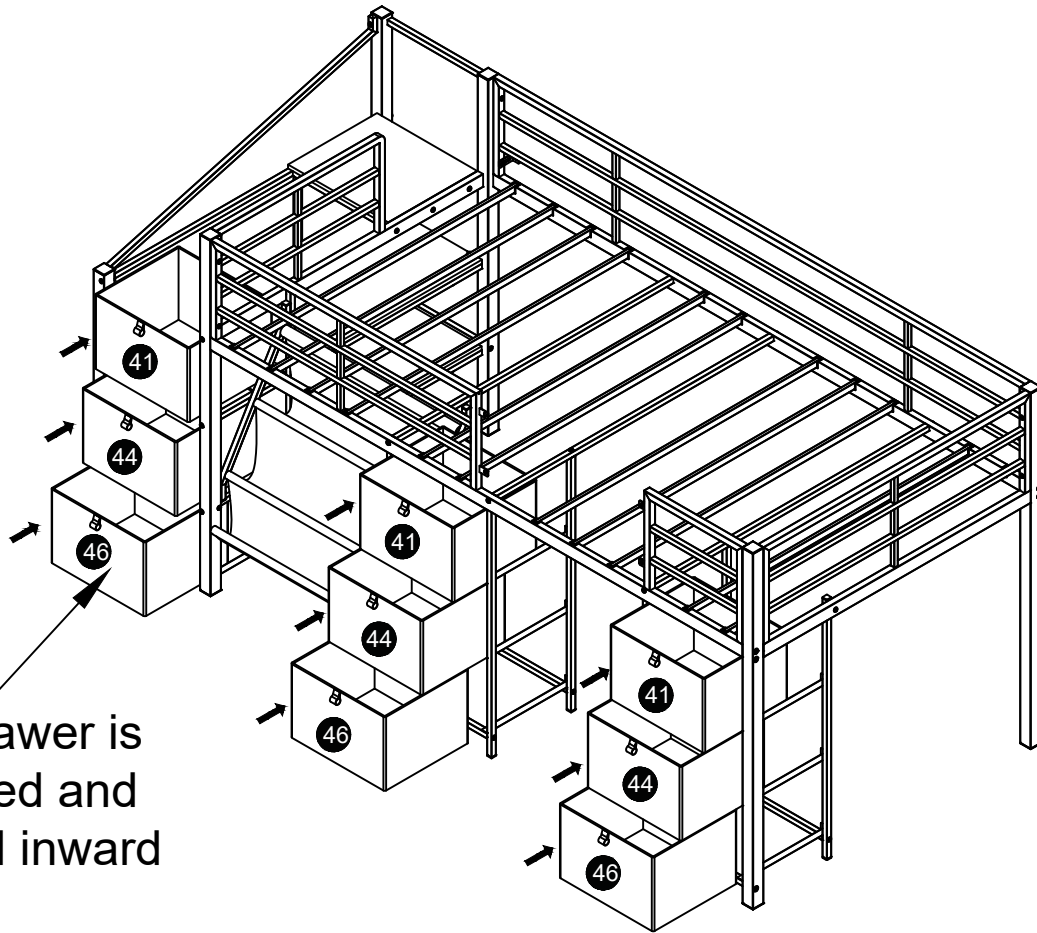
Step:a



Step:b

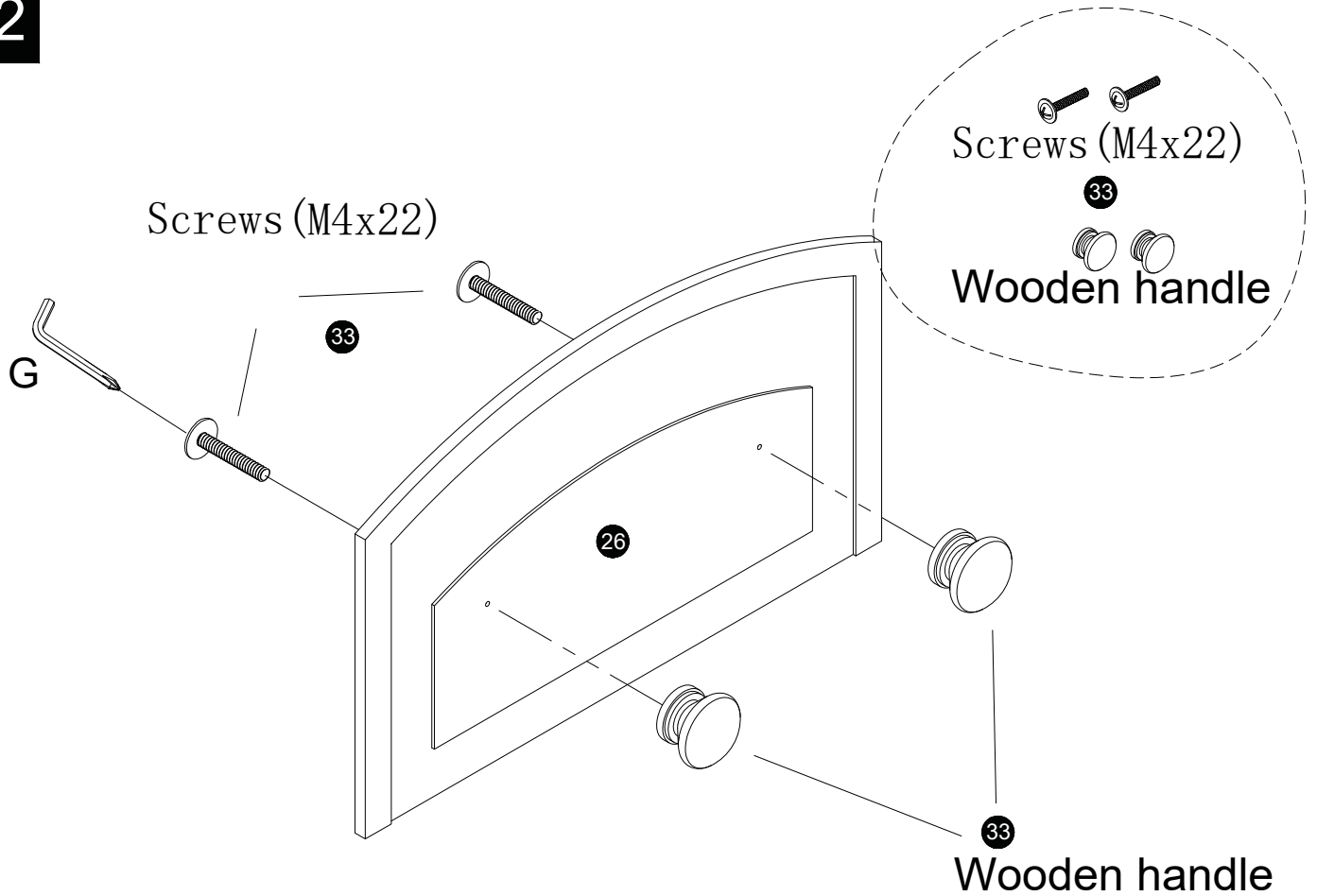


21

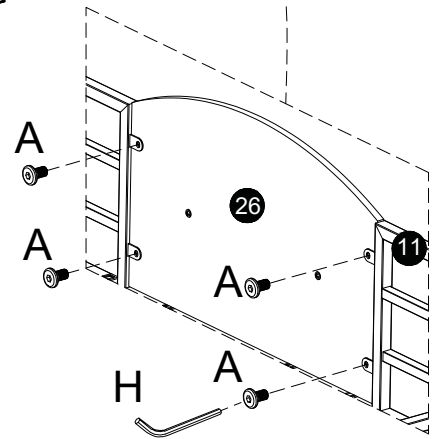
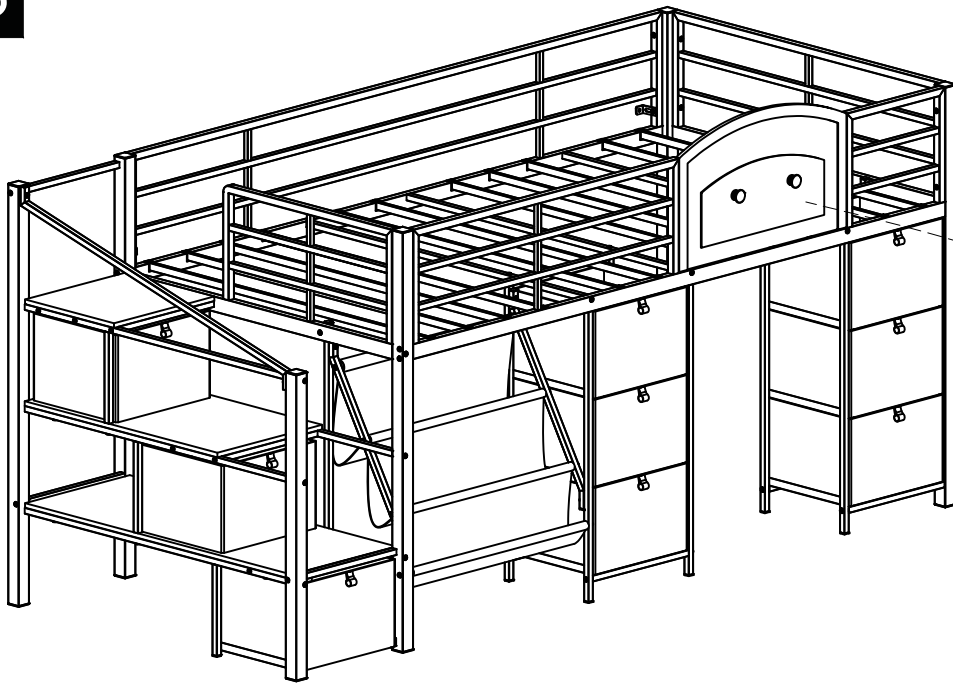



The drawer is balanced and pushed inward

22

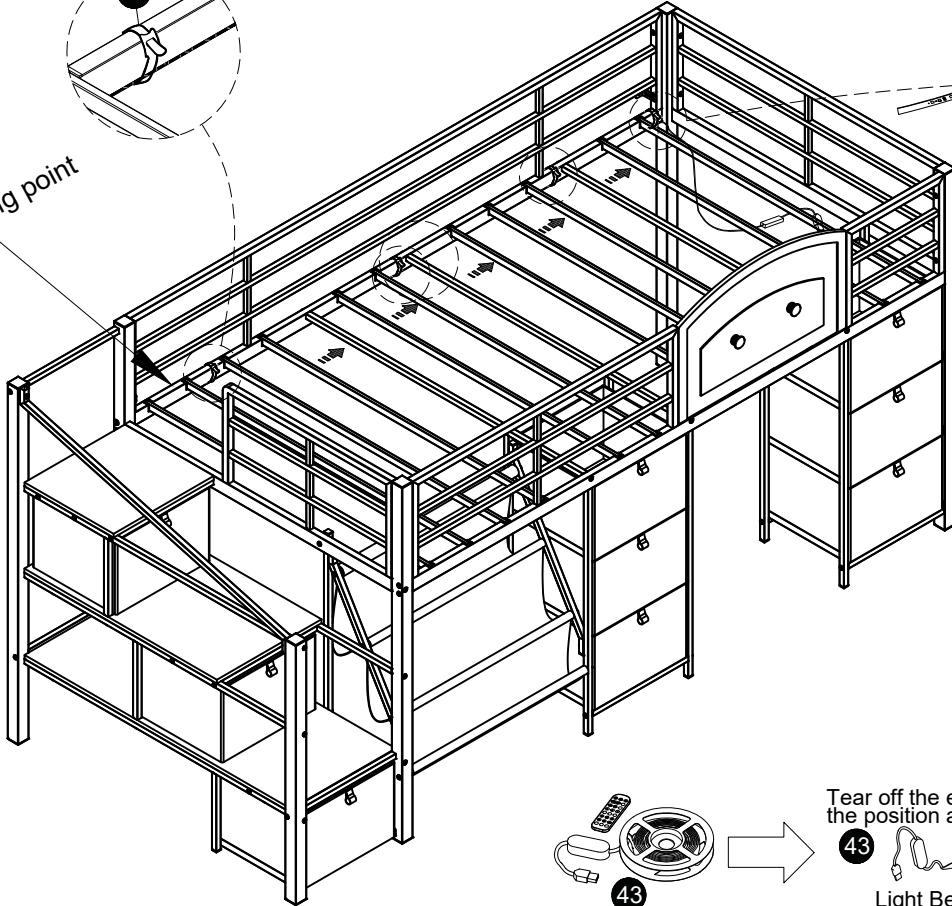
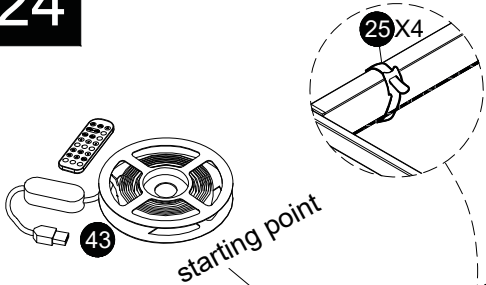


23

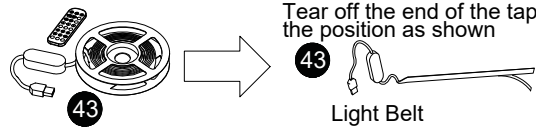


A M6*10
 x4

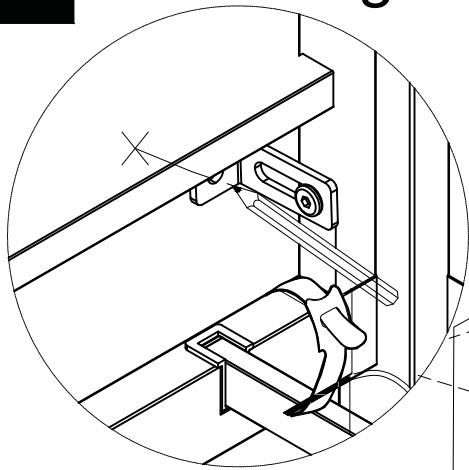
24



Tear off the end of the tape .Stick it in the position as shown

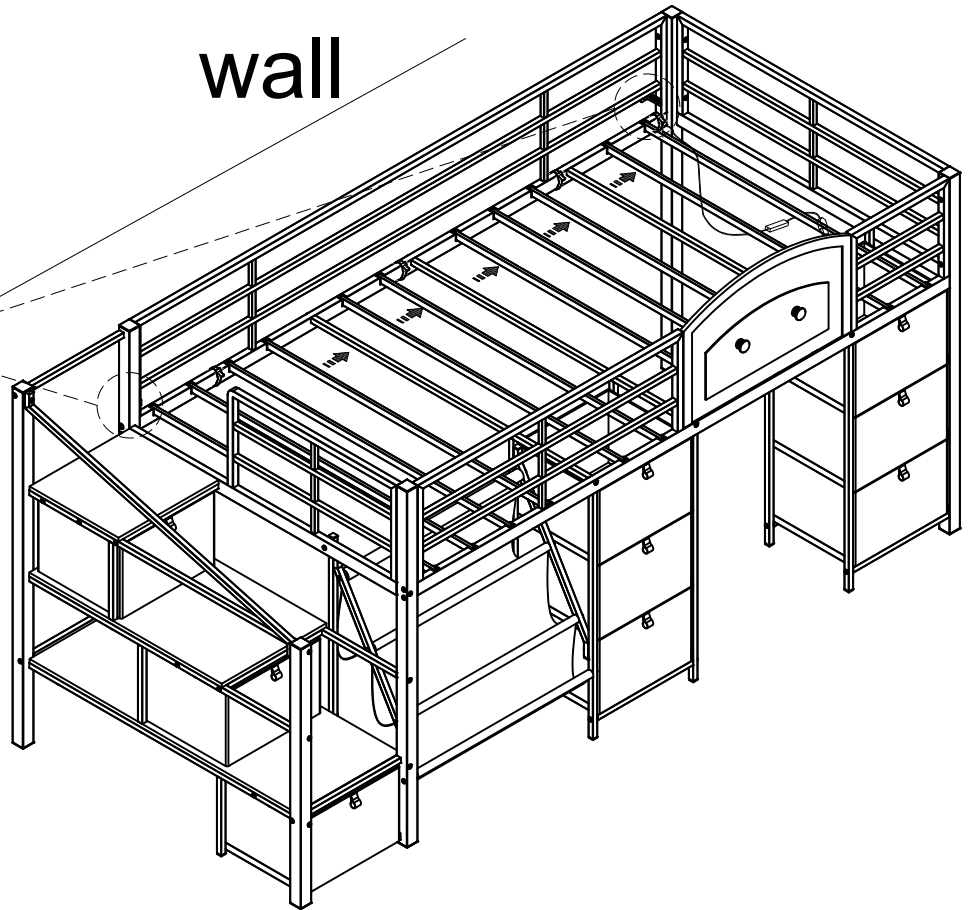


25 Positioning

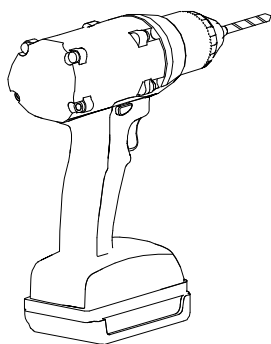


X2

wall



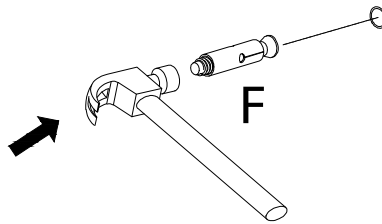
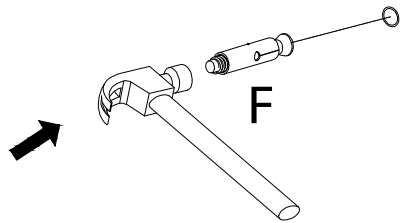
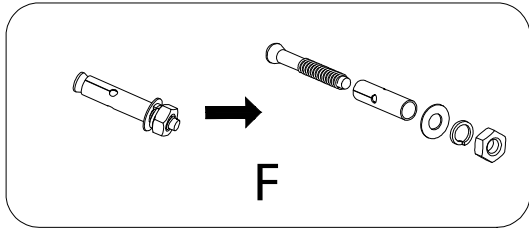
26 Drilling



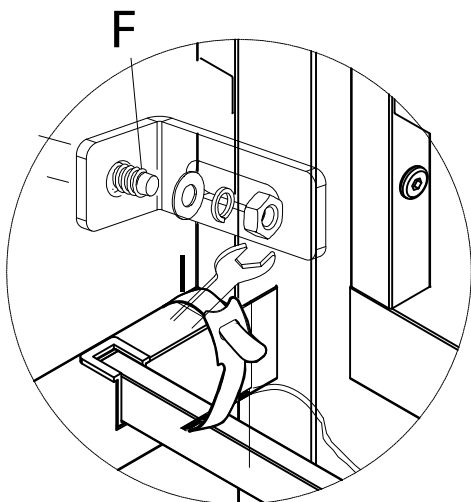
wall



wall



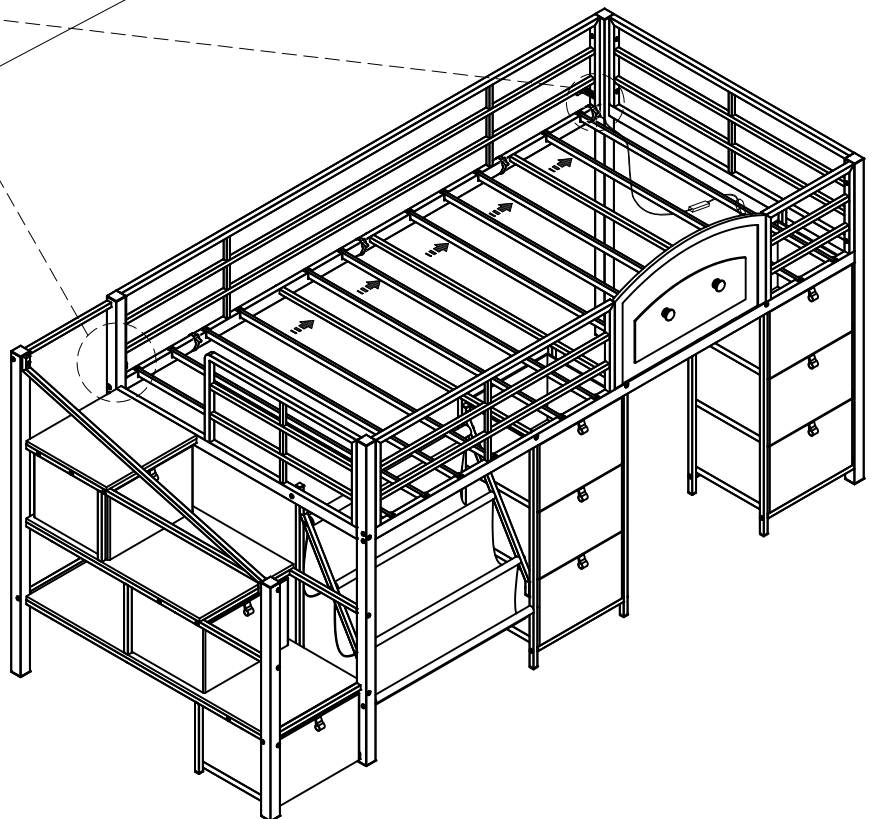
Please lock the expansion screw onto the wall.



X2

wall

wall



F M6	X2	I M6	X1
