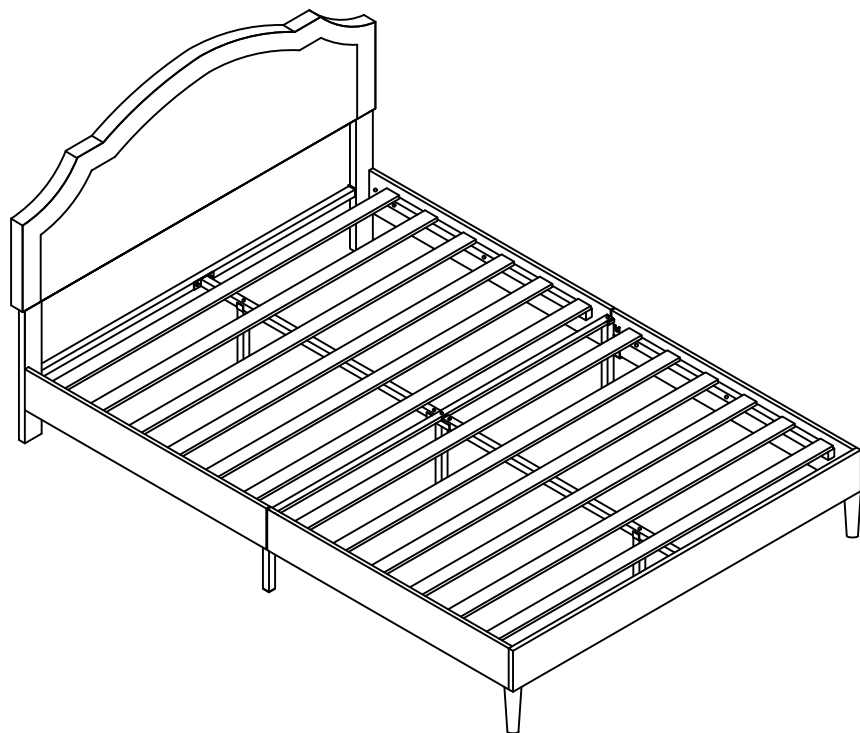


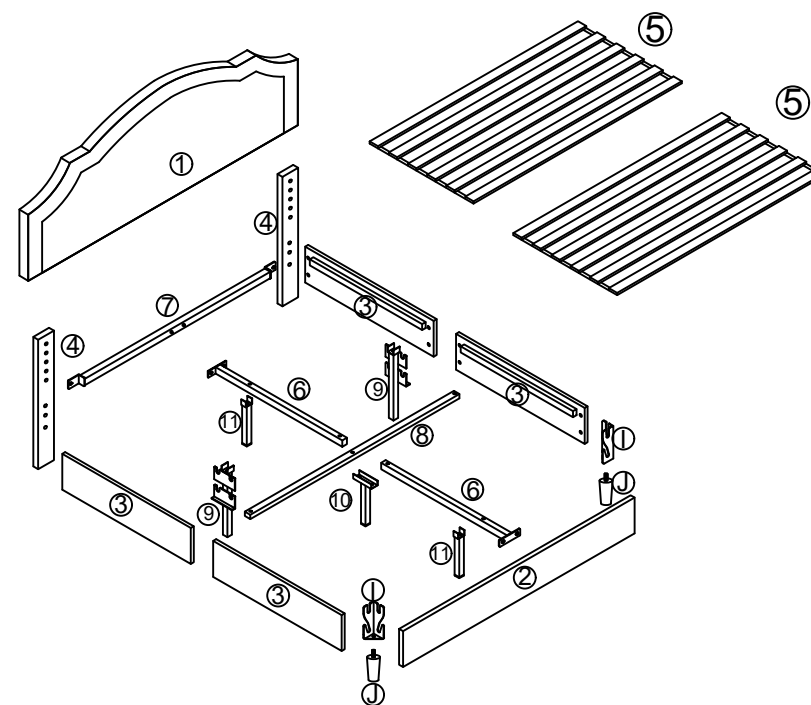
ASSEMBLY INSTRUCTIONS



HELPFUL ADVICE PRIOR TO ASSEMBLING THE BED

- 1) As a result of the size and weight of the bed, we recommend that it is assembled by two adults, on a flat surface, in the room that it is intended for.
- 2) Please do not use any tools other than those provided or recommended in these instructions.
- 3) Please do not discard any packaging until you have checked that you have all the parts and fittings, keep all fittings out of reach of children.
- 4) Assemble all parts loosely until advised to tighten. Depending on use, it may be necessary to tighten the fittings from time to time, so please save your Allen key and spanner that has been provided.

Parts List



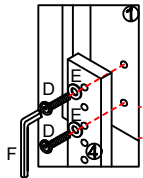
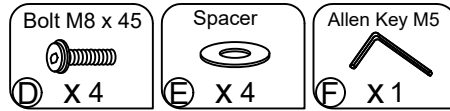
Hardware List

Label	Picture	Description	Qty	Label	Picture	Description	Qty
A		Bolt M8 x 16	24	B		Bolt M8 x 25	8
C		Bolt M8 x 35	4	D		Bolt M8 x 45	5
E		Spacer	4	F		Allen Key M5	1

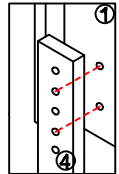
Product component

G		Angle iron	1	H		Angle iron	1
I		Angle iron	2	J		Foot	2

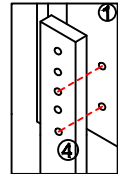
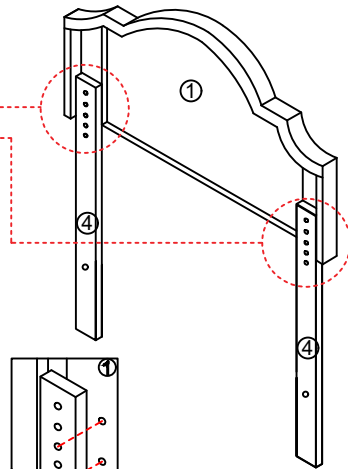
Step 1



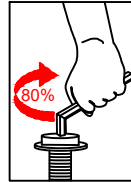
Use these holes to fit a 12 inch thick mattress (45 inch tall overall)



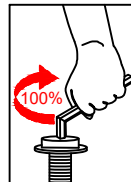
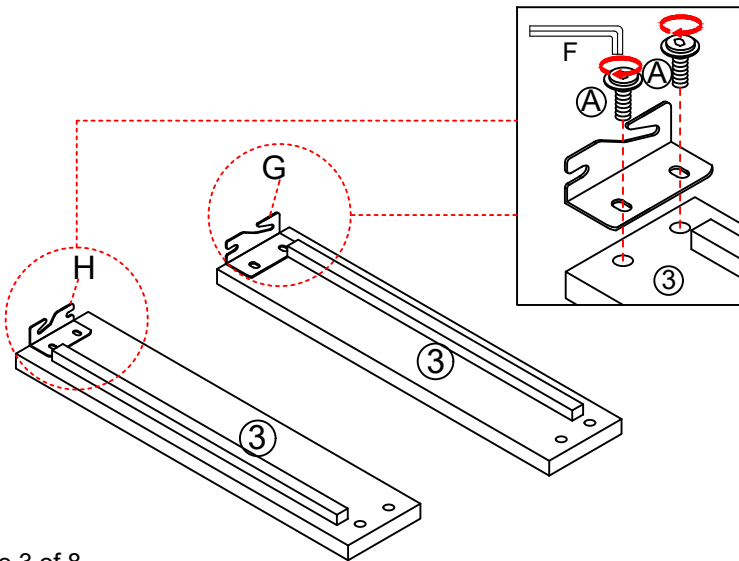
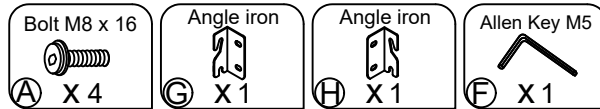
Use these holes to fit a 10 inch thick mattress (43 inch tall overall)



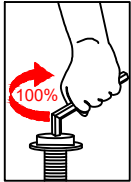
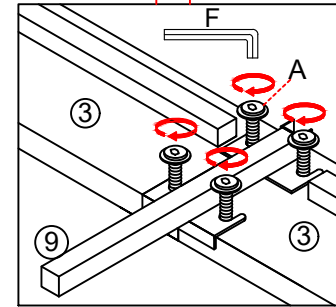
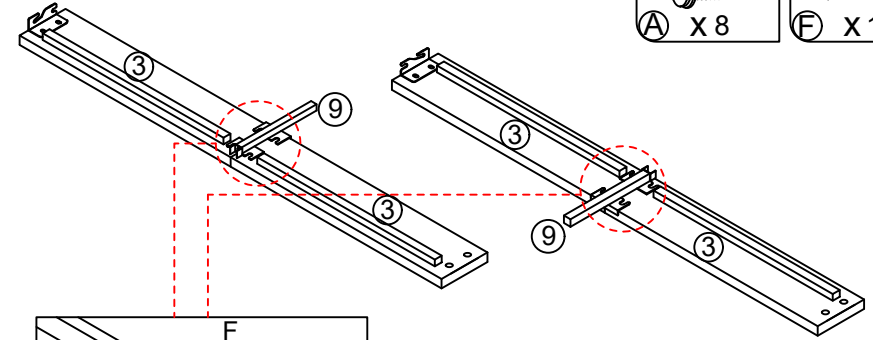
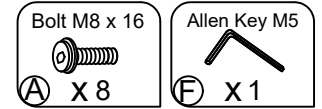
Use these holes to fit a 8 inch thick mattress (41 inch tall overall)



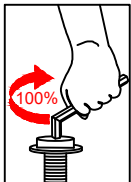
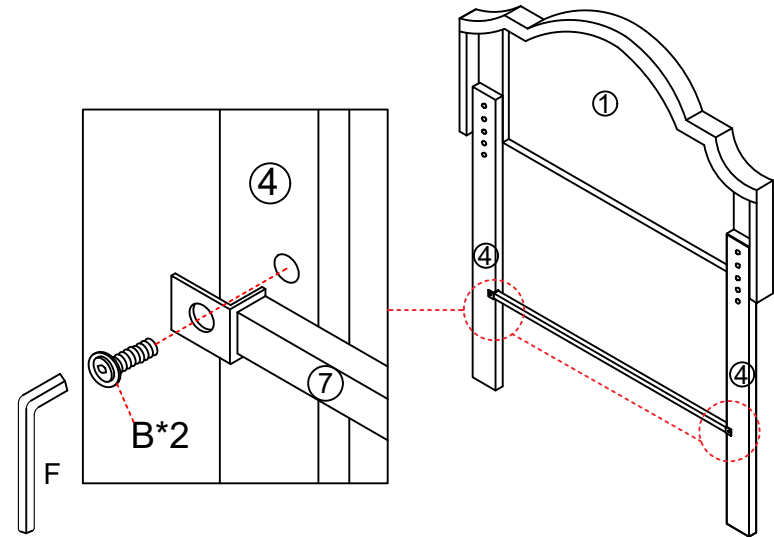
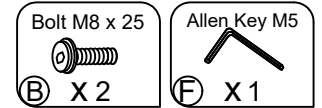
Step 2



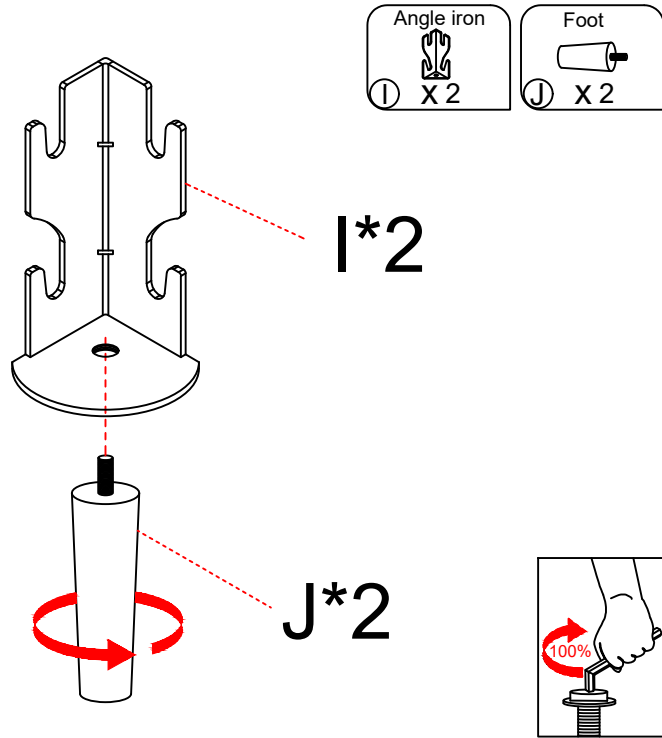
Step 3



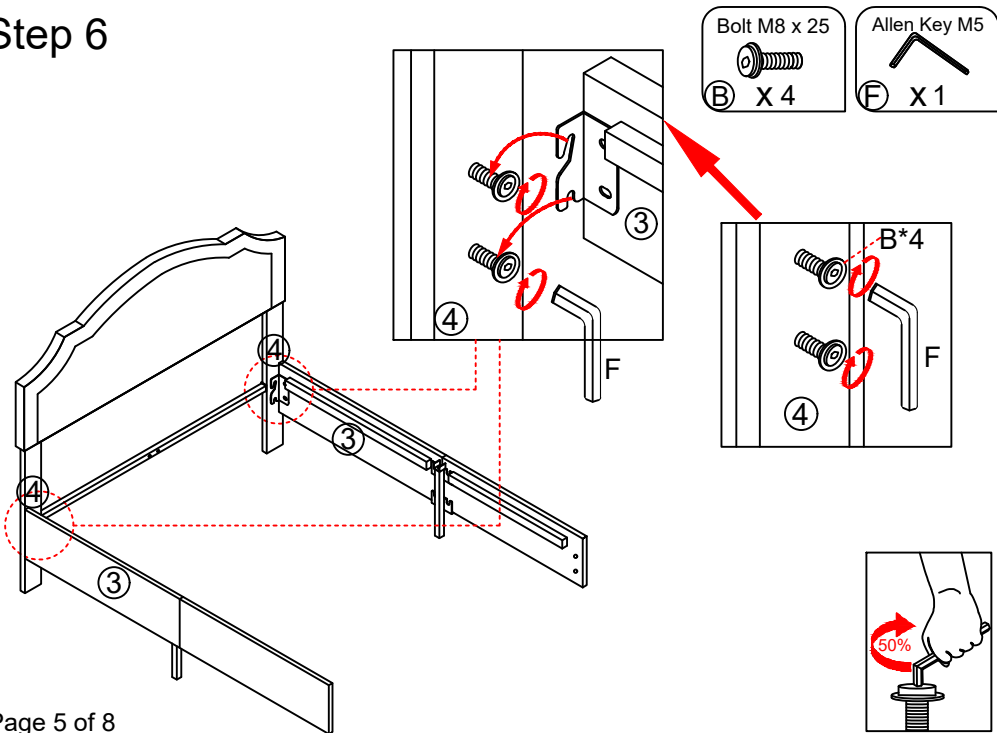
Step 4



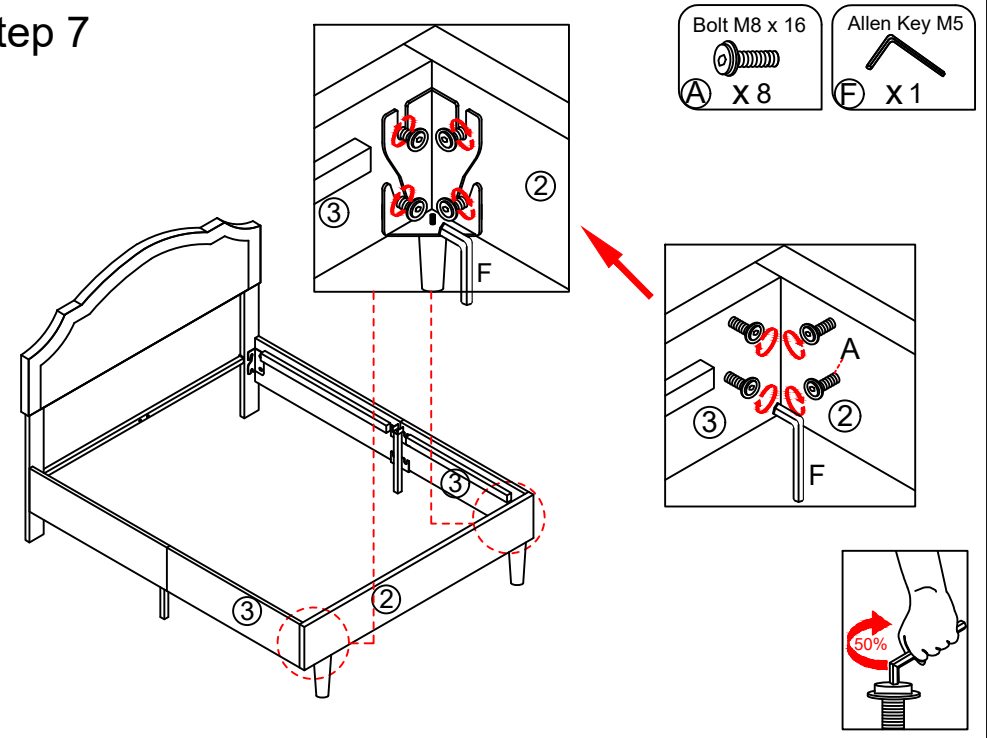
Step 5



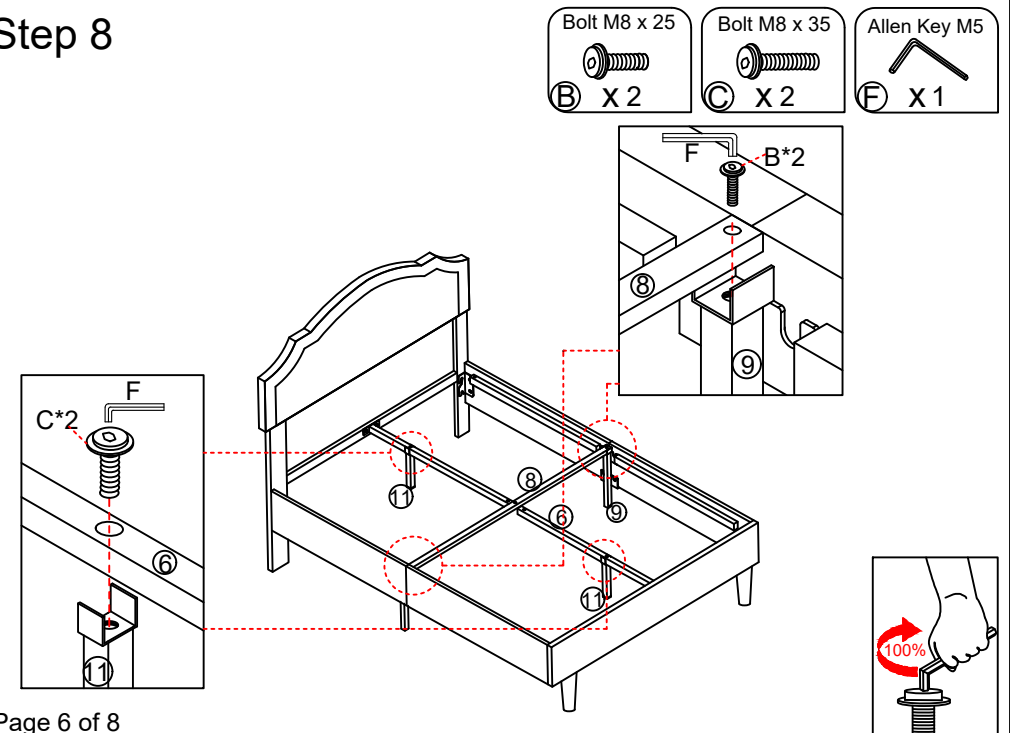
Step 6



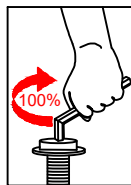
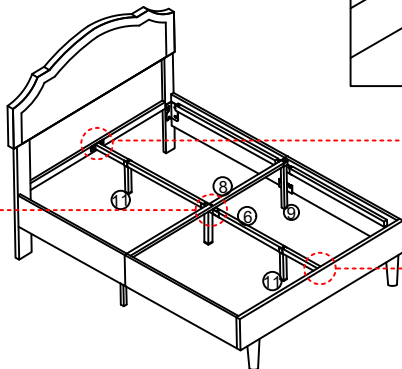
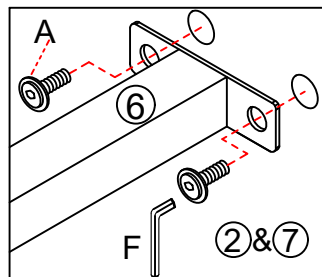
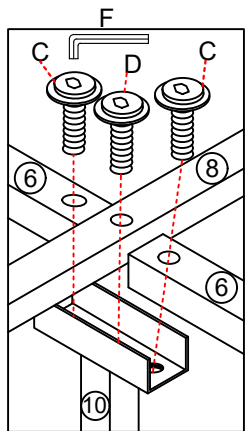
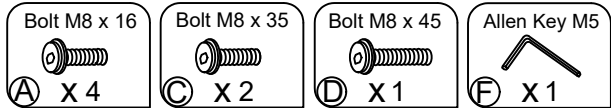
Step 7



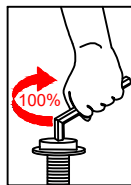
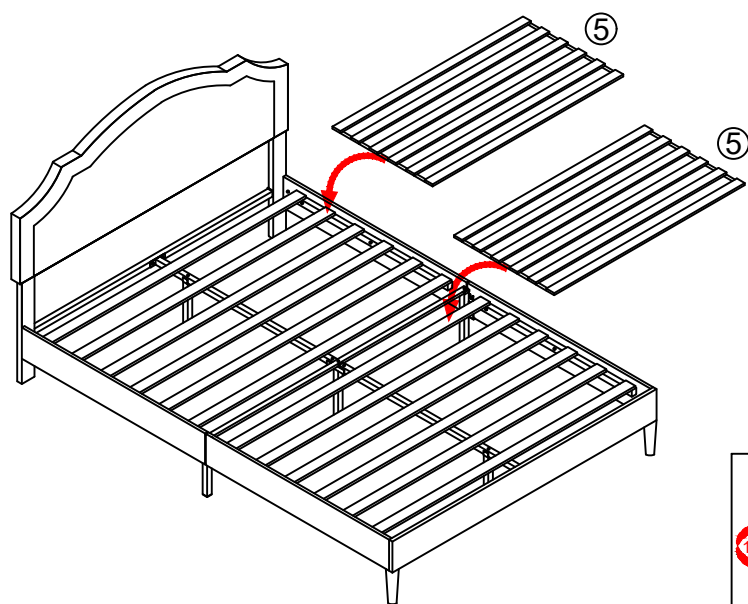
Step 8



Step 9



Step 10



Step 11

