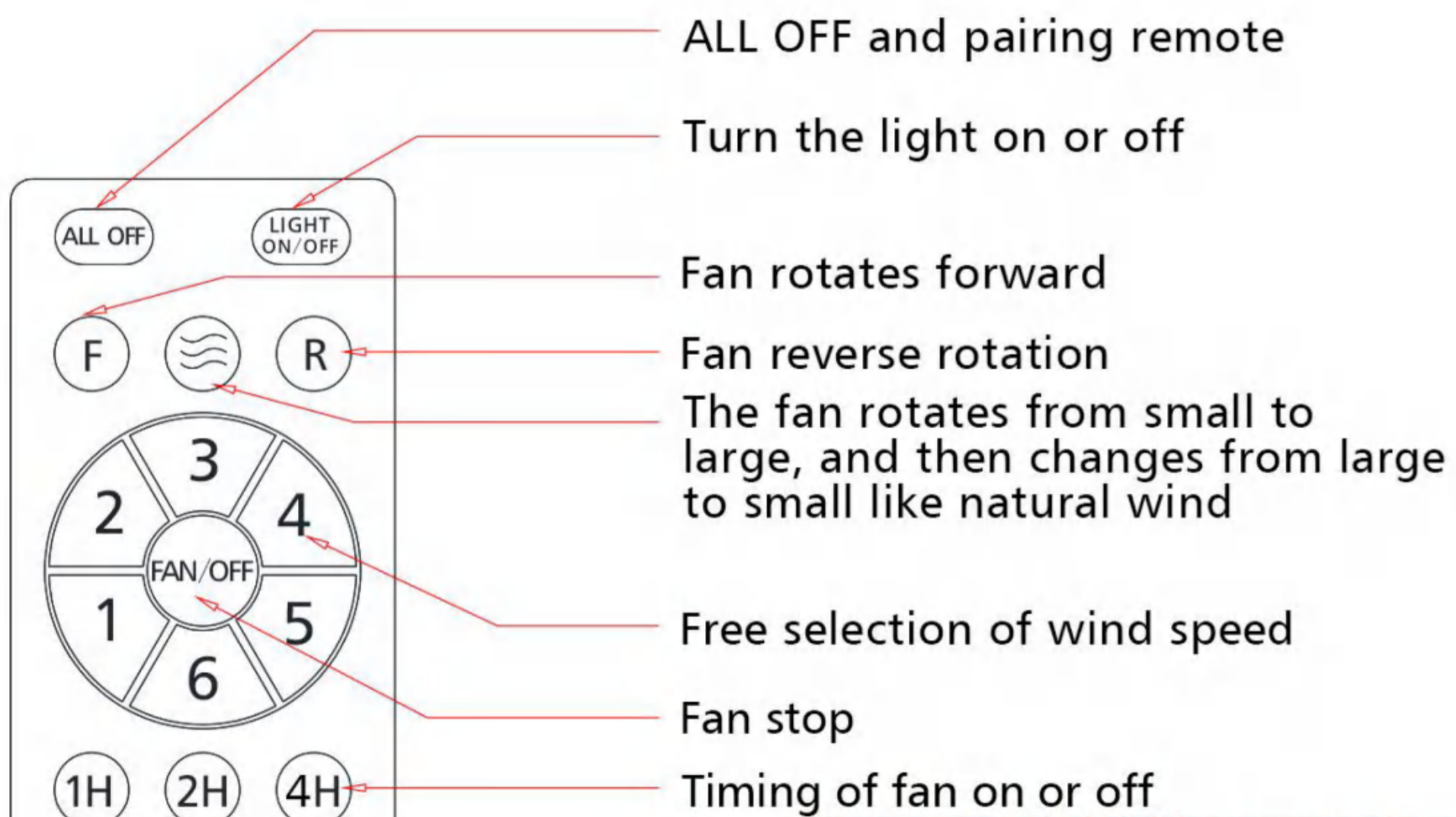
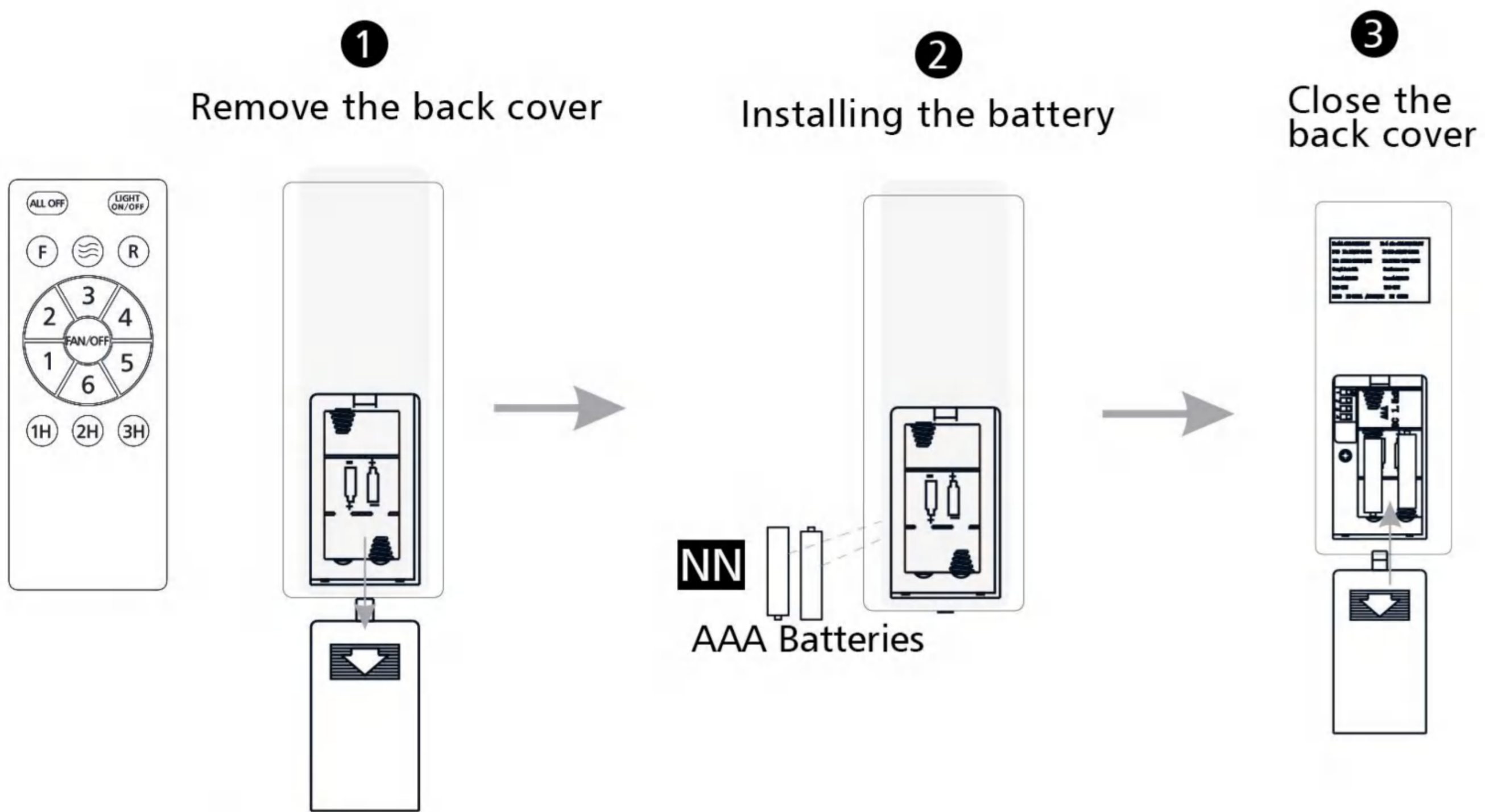


14 Remote Control Instruction



Remote Control Pairing Instructions:
 (If the remote is not working, please refer to this method)

1. Turn off the fan light using the wall switch.
2. Turn the wall switch back on, and within 3 seconds, press and hold the "ALL OFF" button on the remote control for 3-5 seconds.
3. After pairing, press several random buttons on the remote to test whether the fan light responds correctly.

Note: There will be no indication when pairing is successful.

Your installation is now complete. Save this sheet for future

INSTALLATION GUIDE FOR 60071-520

⚠ WARNINGS AND CAUTIONS

Released Date:2025-06

READ AND SAVE THESE INSTRUCTIONS

Please read and understand this entire manual before attempting to assemble, install or operate the product.

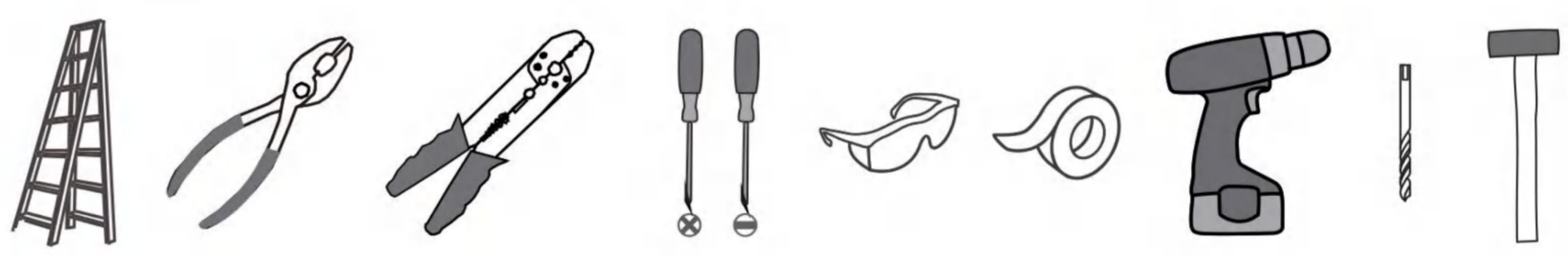
WARNING

- RISK OF ELECTRIC SHOCK - Before beginning installation, turn off electricity at the circuit breaker box or the main fuse box.
- RISK OF FIRE - Use bulbs specified by the markings and/or labels on the fixture.
- RISK OF PERSONAL INJURY - DO NOT bend the blades when installing the fan, or cleaning the fan. Do not insert foreign objects in between rotating fan blades.
- RISK OF FIRE, ELECTRIC SHOCK, OR PERSONAL INJURY - mount to outlet box marked and use mounting screws provided with the outlet box.
- All set screws must be checked, and re-tightened where necessary, before installation.
- After making the wire connections, the wires should be spread apart with the grounded conductor and the equipment-grounding conductor on one side of the outlet box and the ungrounded conductor on the other side of the outlet box.
- This unit weights 4.5kg(10 lbs).

CAUTION

- For your safety, read instructions completely before beginning installation.
- If in doubt about electrical installation, consult a licensed electrician.
- Disconnect fixture from the power source before replacing bulbs or cleaning. Make sure the bulbs are given sufficient time to cool be before removing.

TOOLS REQUIRED

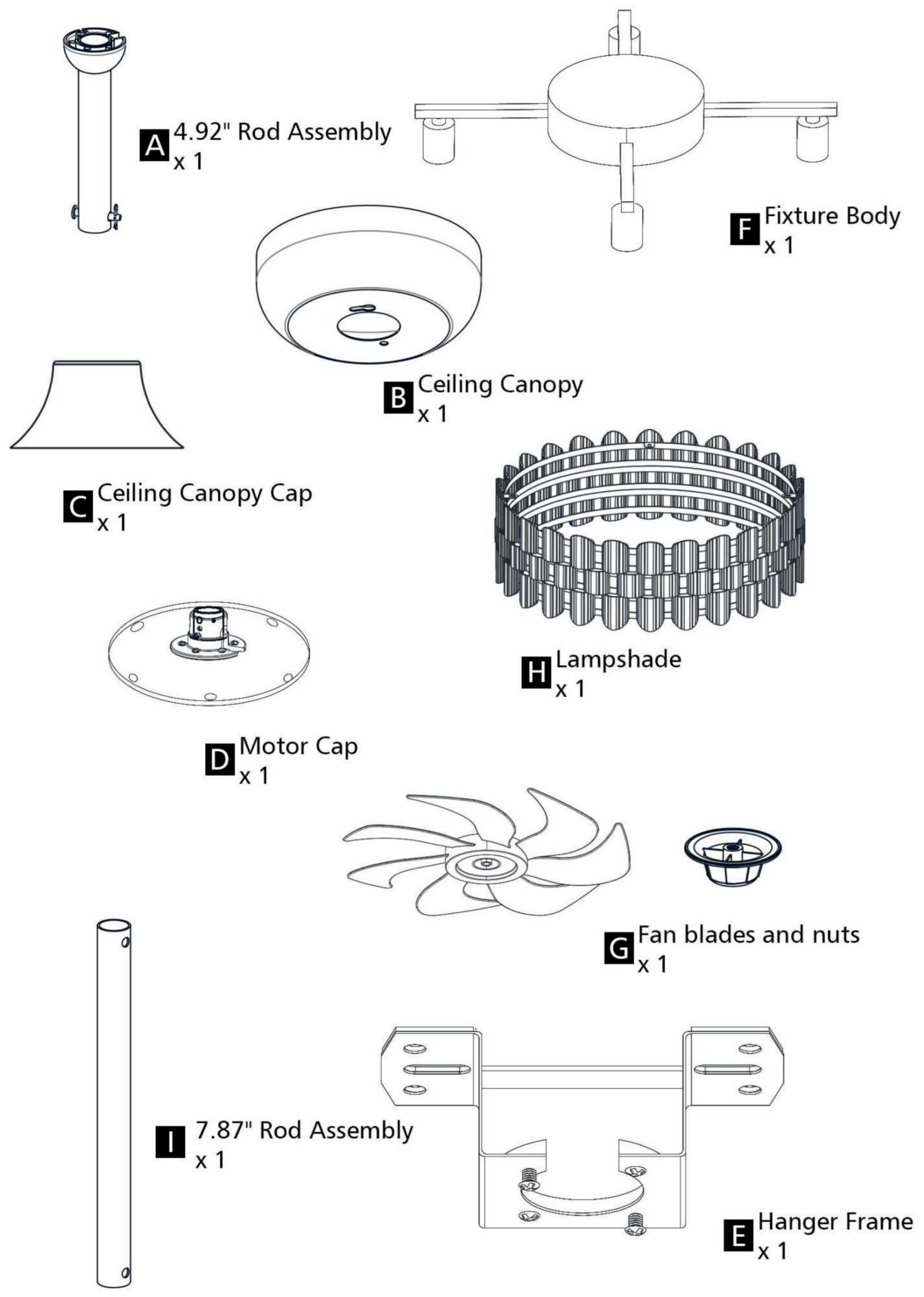


CARE AND MAINTENANCE

- Wipe clean using soft, dry cloth or static duster. Always avoid using harsh chemicals and abrasives to clean fixture as they may damage the finish.

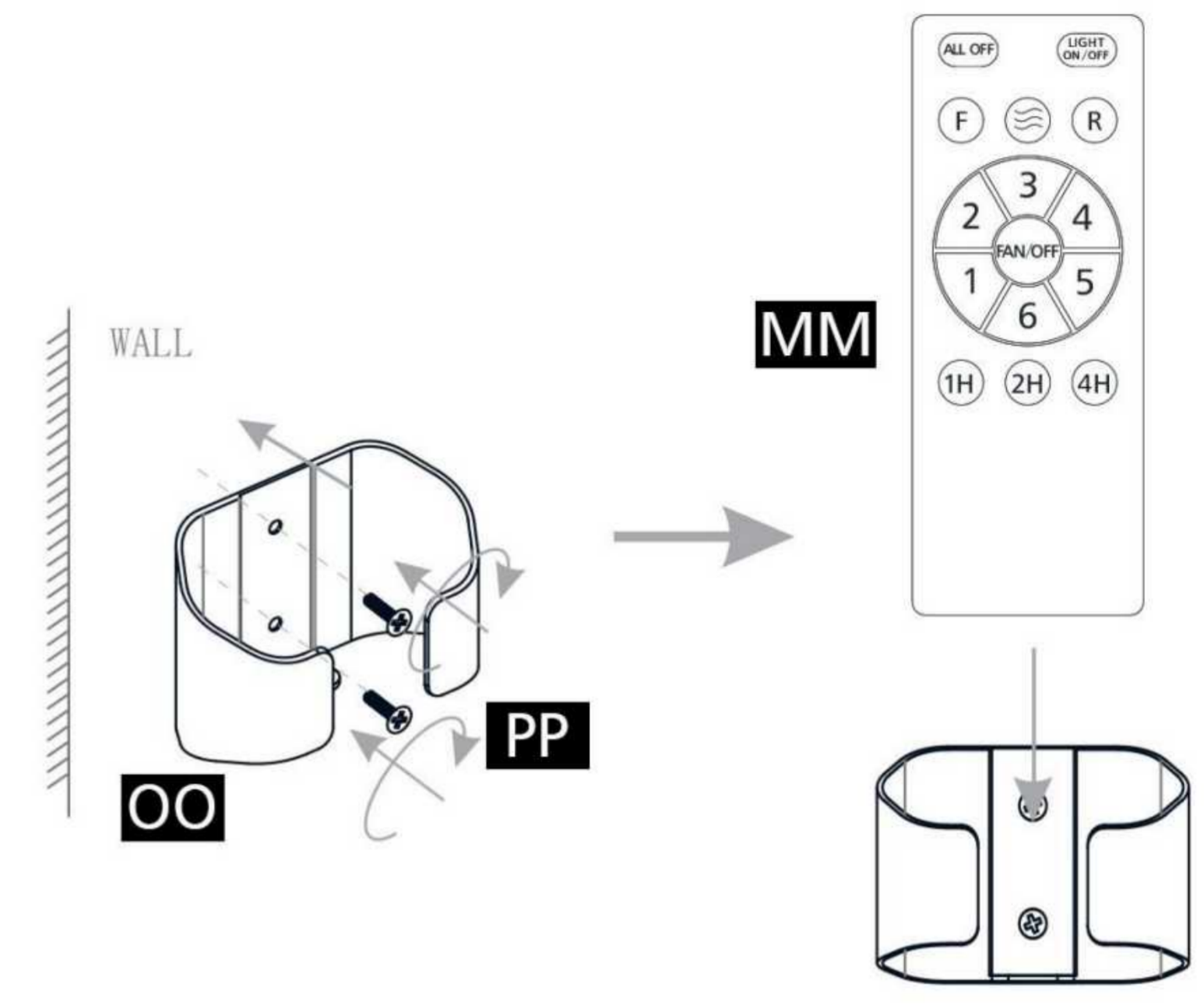
If you need further assistance contact our After Customer Care at **betteraftersaleservice01@outlook.com**, we will reply you in 24 hours.

PACKAGE CONTENTS



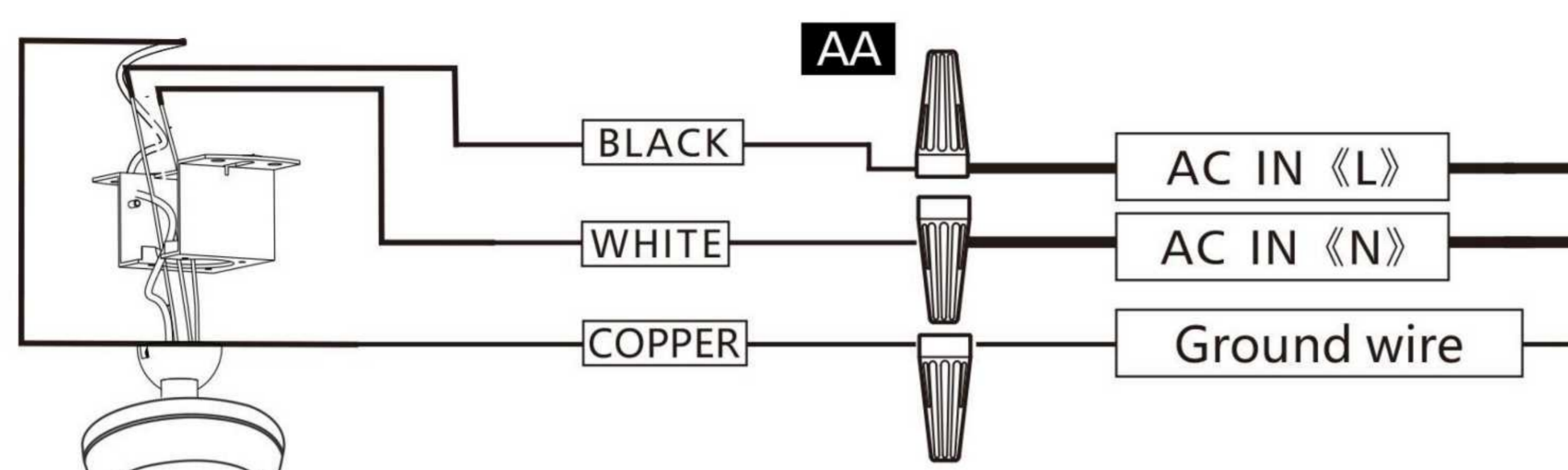
INSTALLATION

13 Install Wall Bracket



INSTALLATION

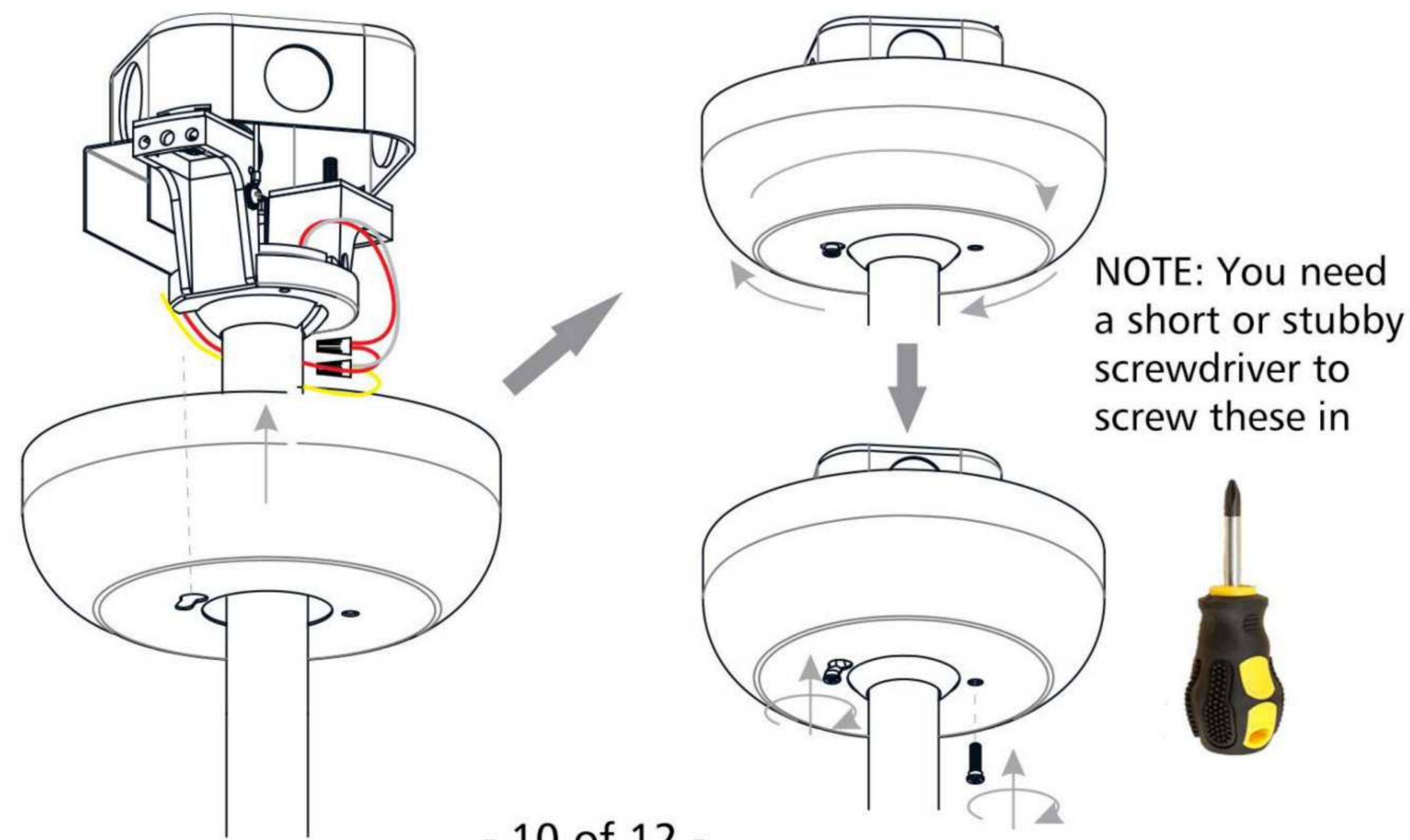
11 Wiring



1. Connect the black wire to the live wire
2. Connect the white wire to the neutral wire
3. Connecting ground

12 Install Ceiling Canopy

Carefully tuck all wires inside of the ceiling canopy during installation.



PACKAGE CONTENTS (PARTS BAG 1)

NOTE: Hardware not shown to actual size.

- AA** Wire Connector x 4
- BB** Screw x 4
- CC** Wall Anchor x 4
- DD** Anchor Bolt x 2
- EE** Mechanical Screw x 2

PACKAGE CONTENTS (PARTS BAG 2)

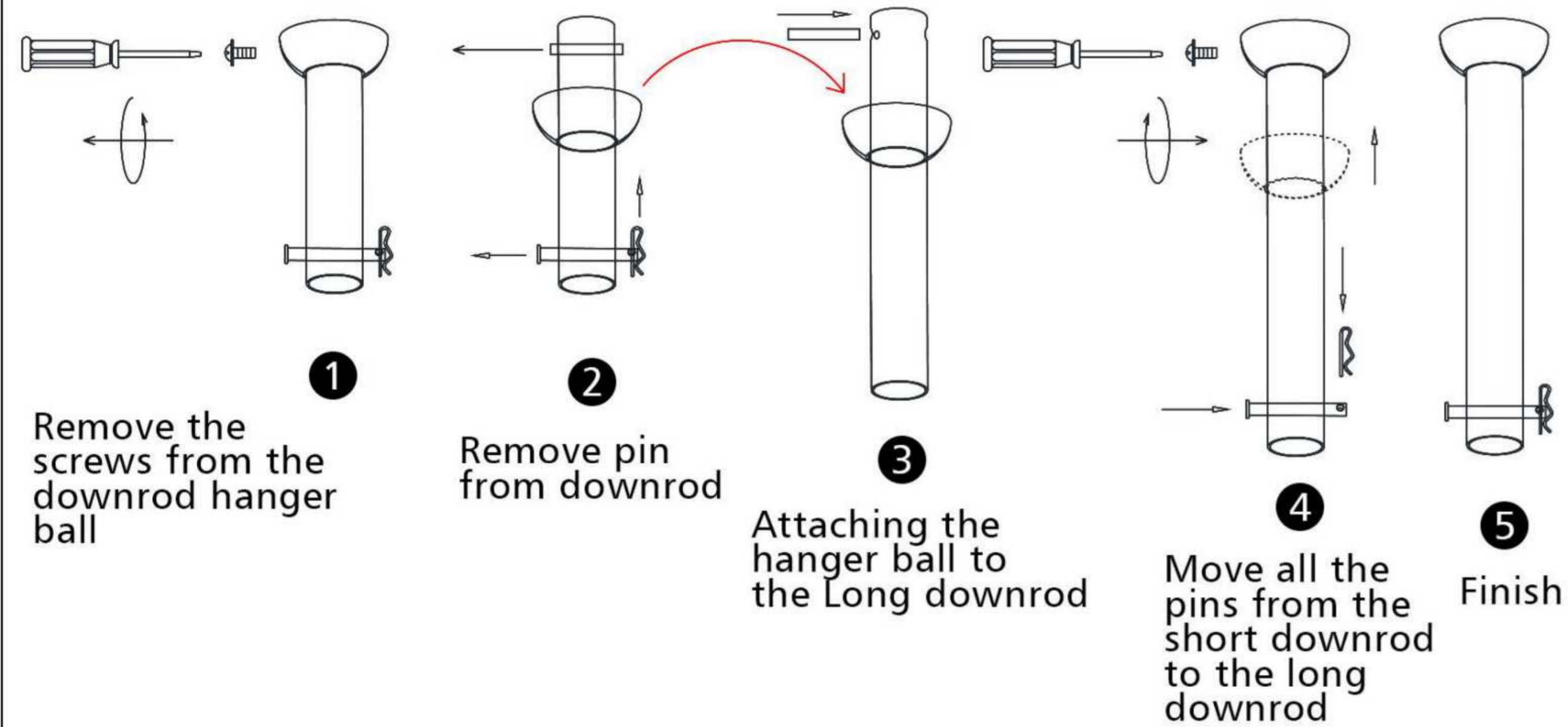
- FF** M4 nut x 5
- GG** Washer x 5
- HH** M4 screw x 5

PACKAGE CONTENTS (PARTS BAG 3)

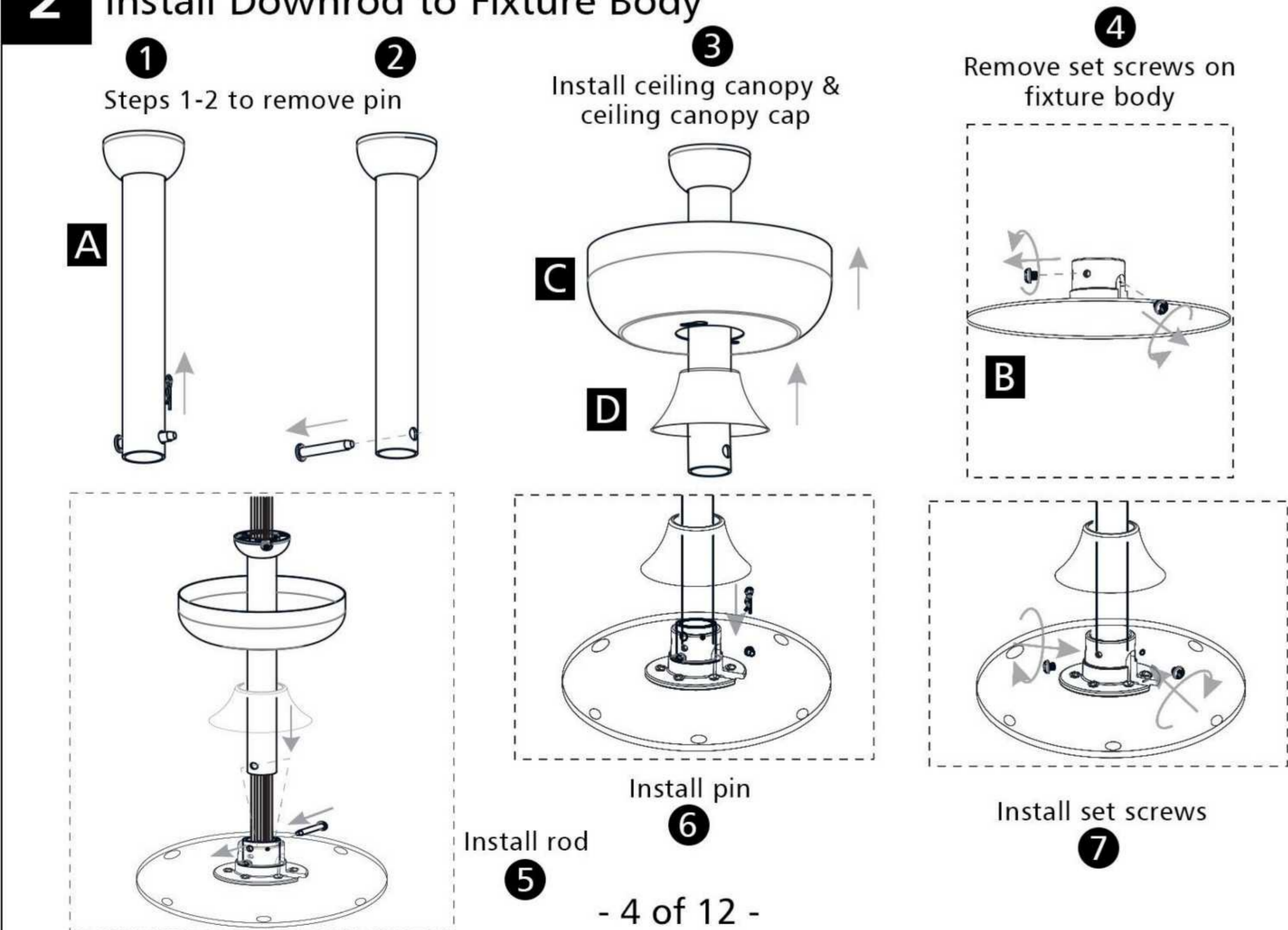
- MM** Remote Control x 1
- OO** Wall Bracket x 1
- PP** Screw x 2
- NN** AAA Batteries x 2

INSTALLATION

1 Choose Suitable Downrod

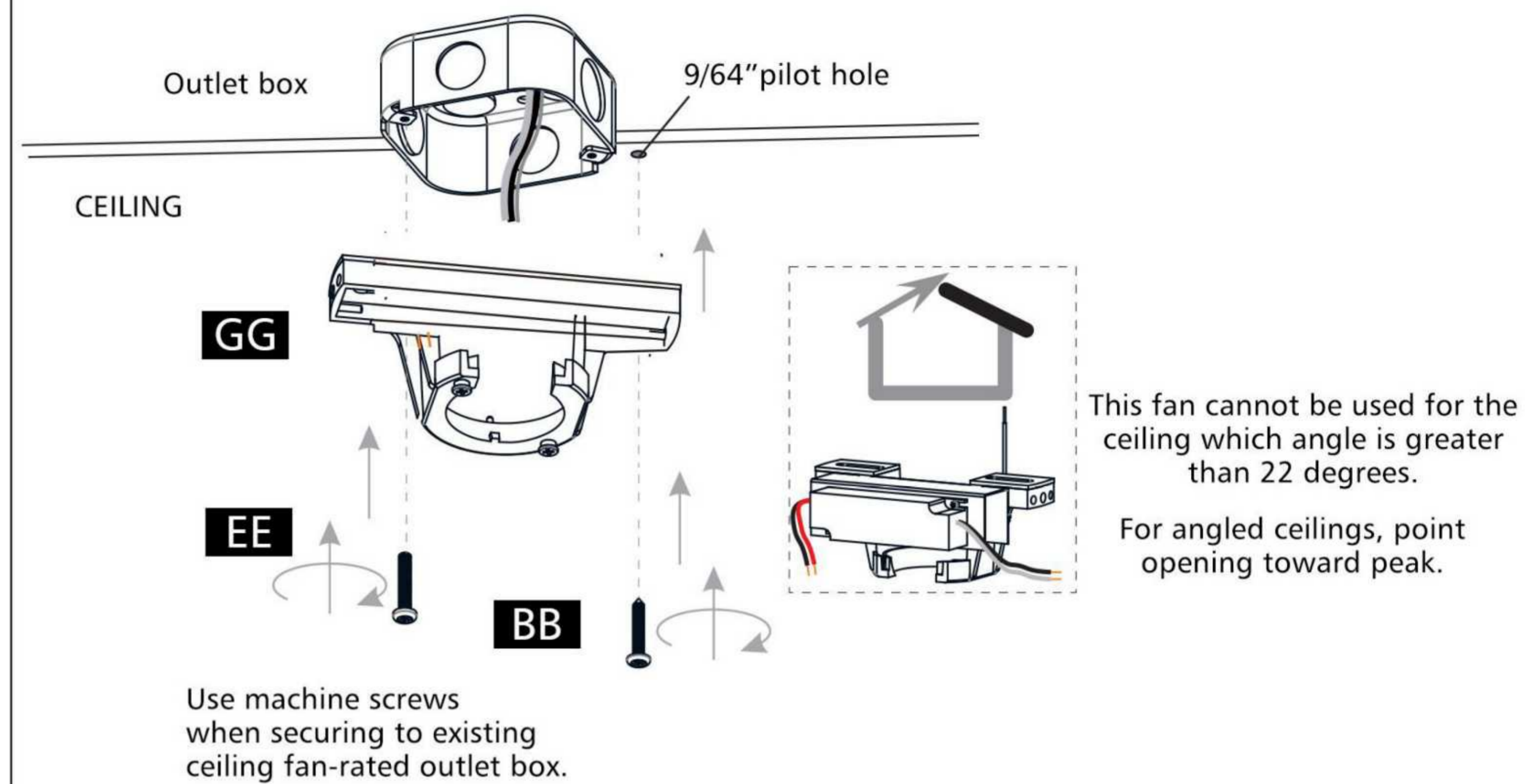


2 Install Downrod to Fixture Body

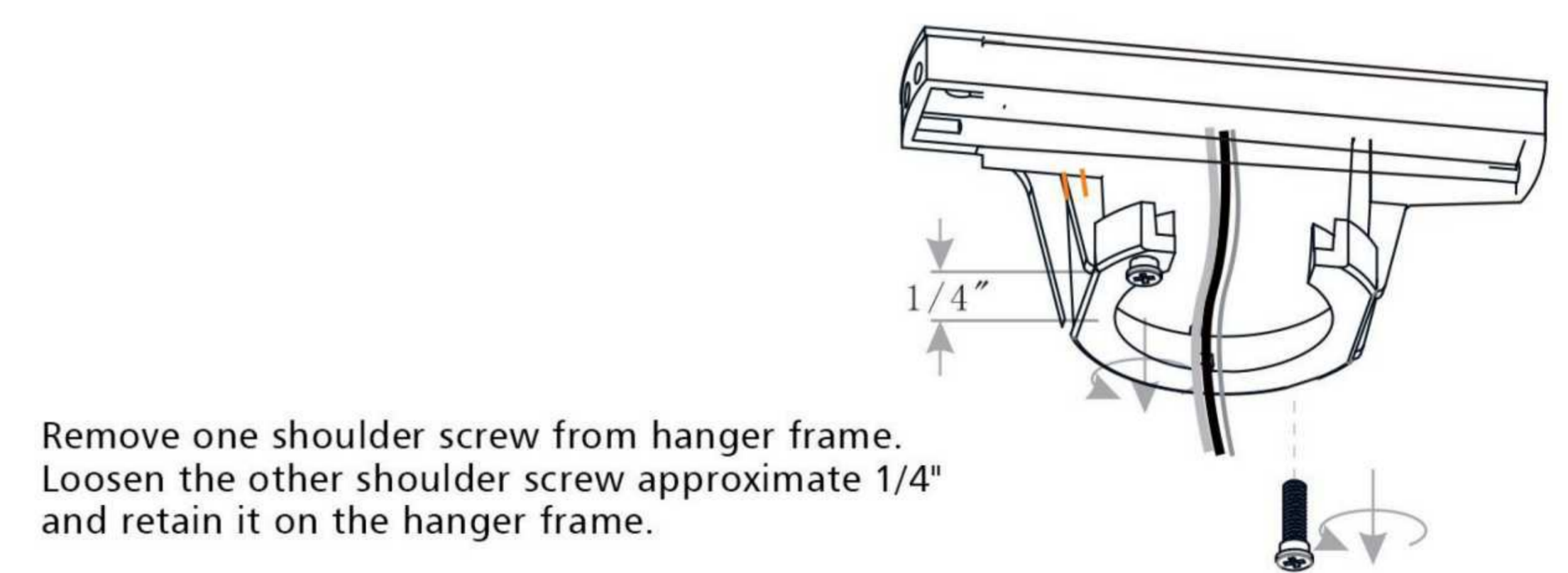


INSTALLATION

9 Install Hanger Frame



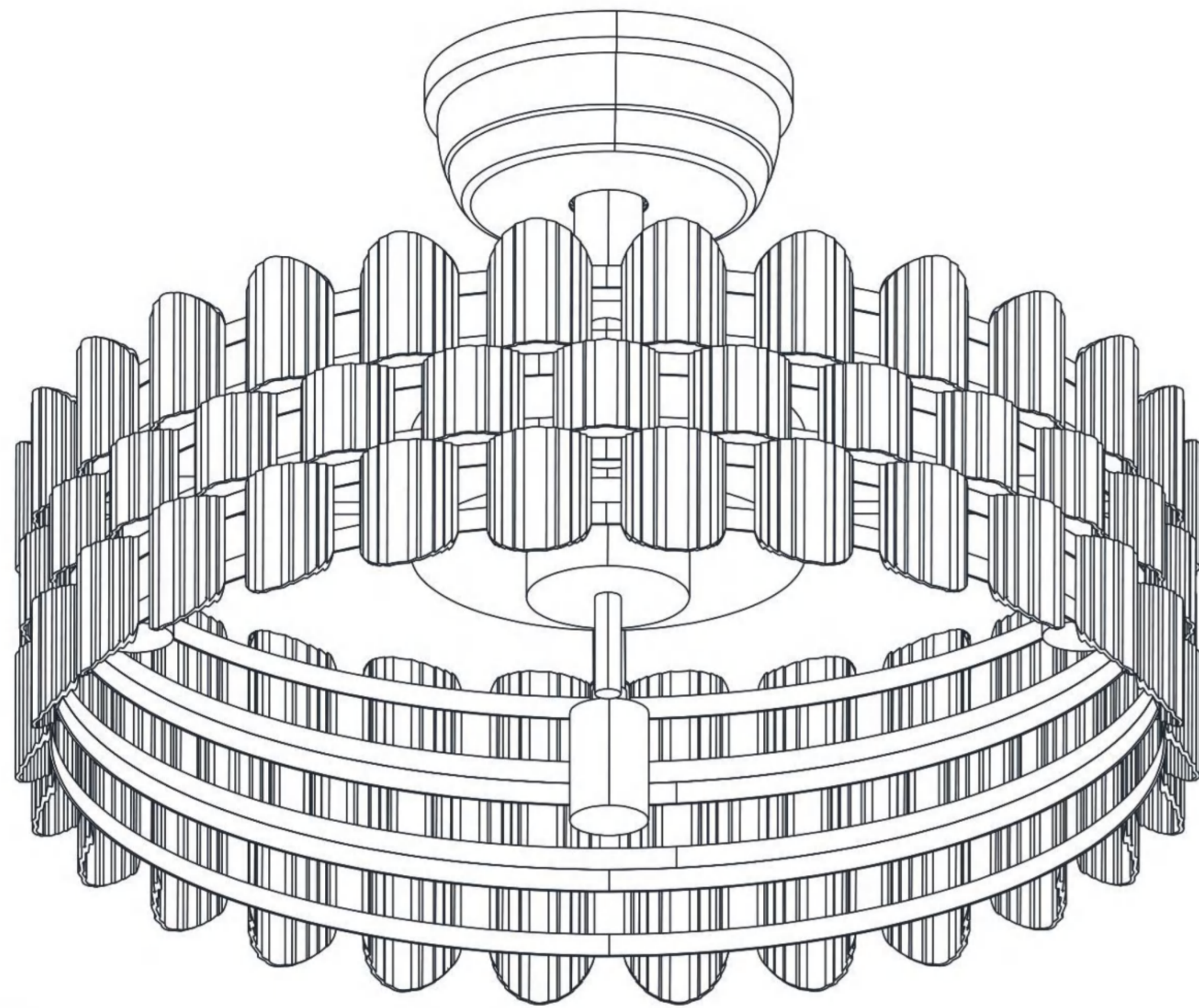
10 Loosen Shoulder Screws



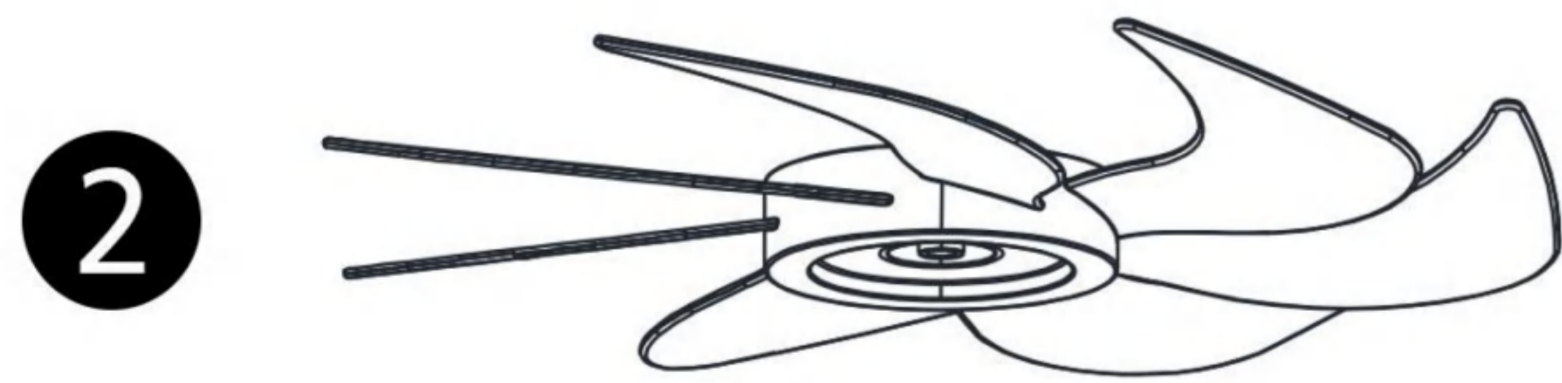
INSTALLATION

8

Install Fan Blade



1



2

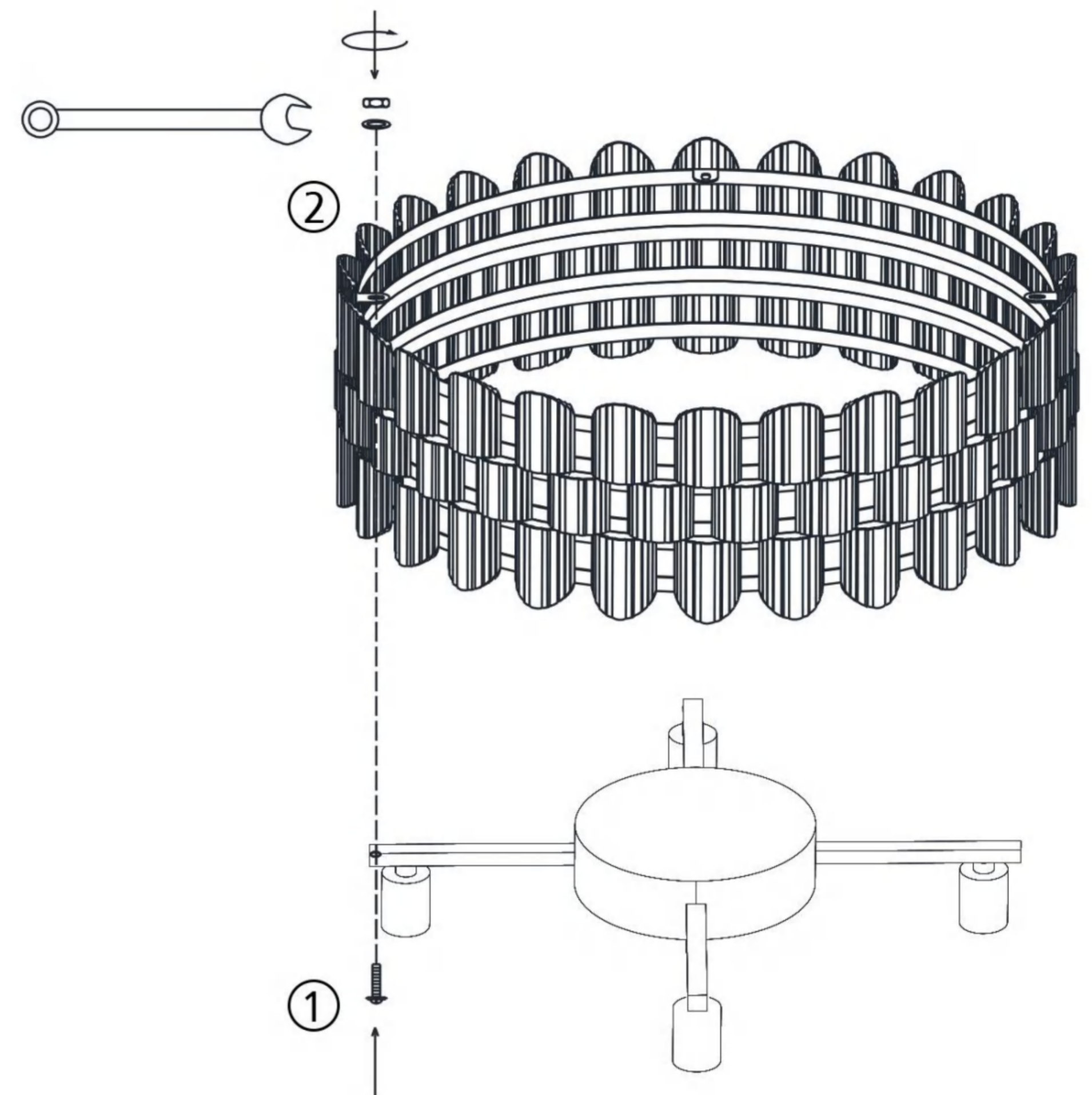
3



INSTALLATION

3

Install Lampshade

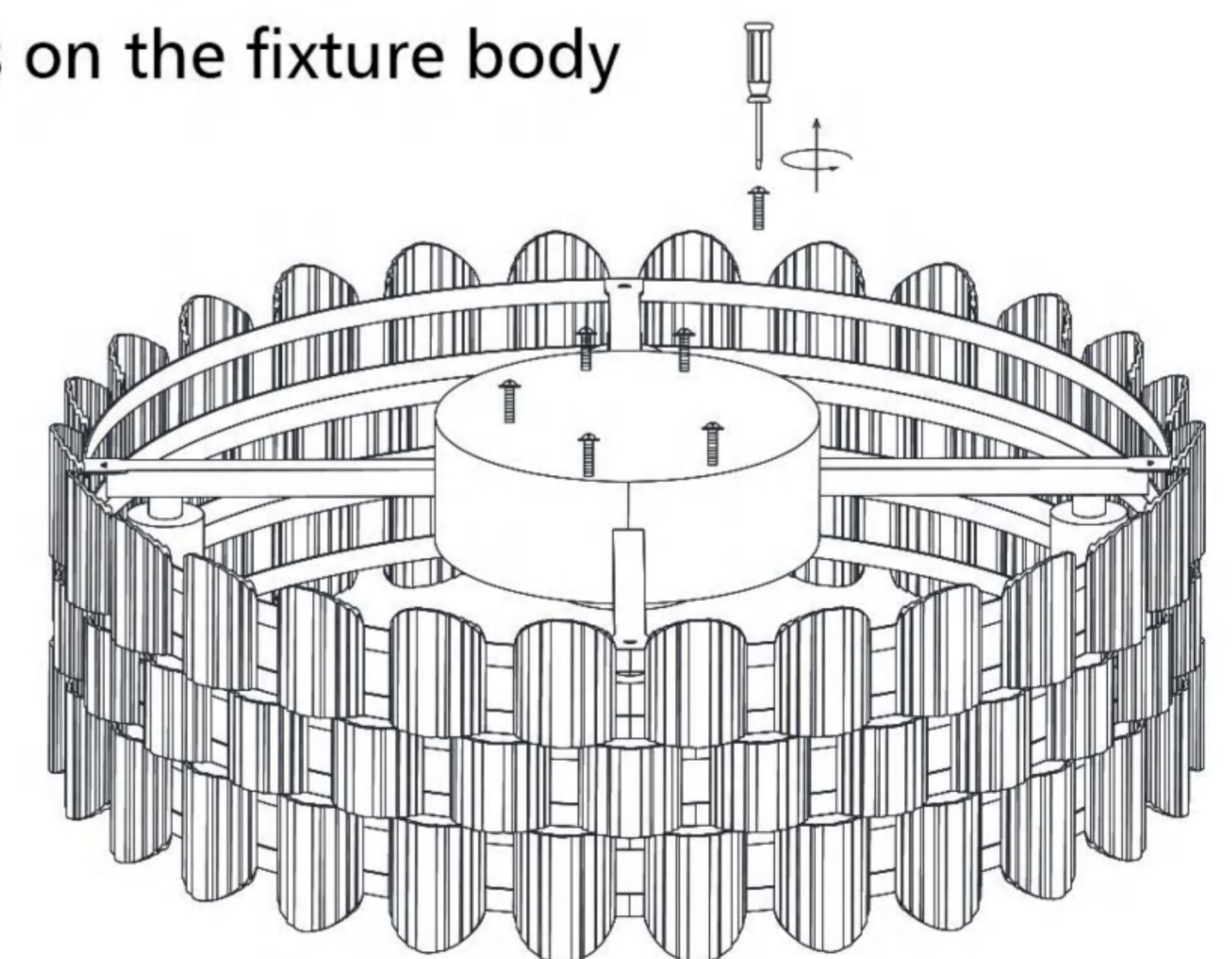


1

2

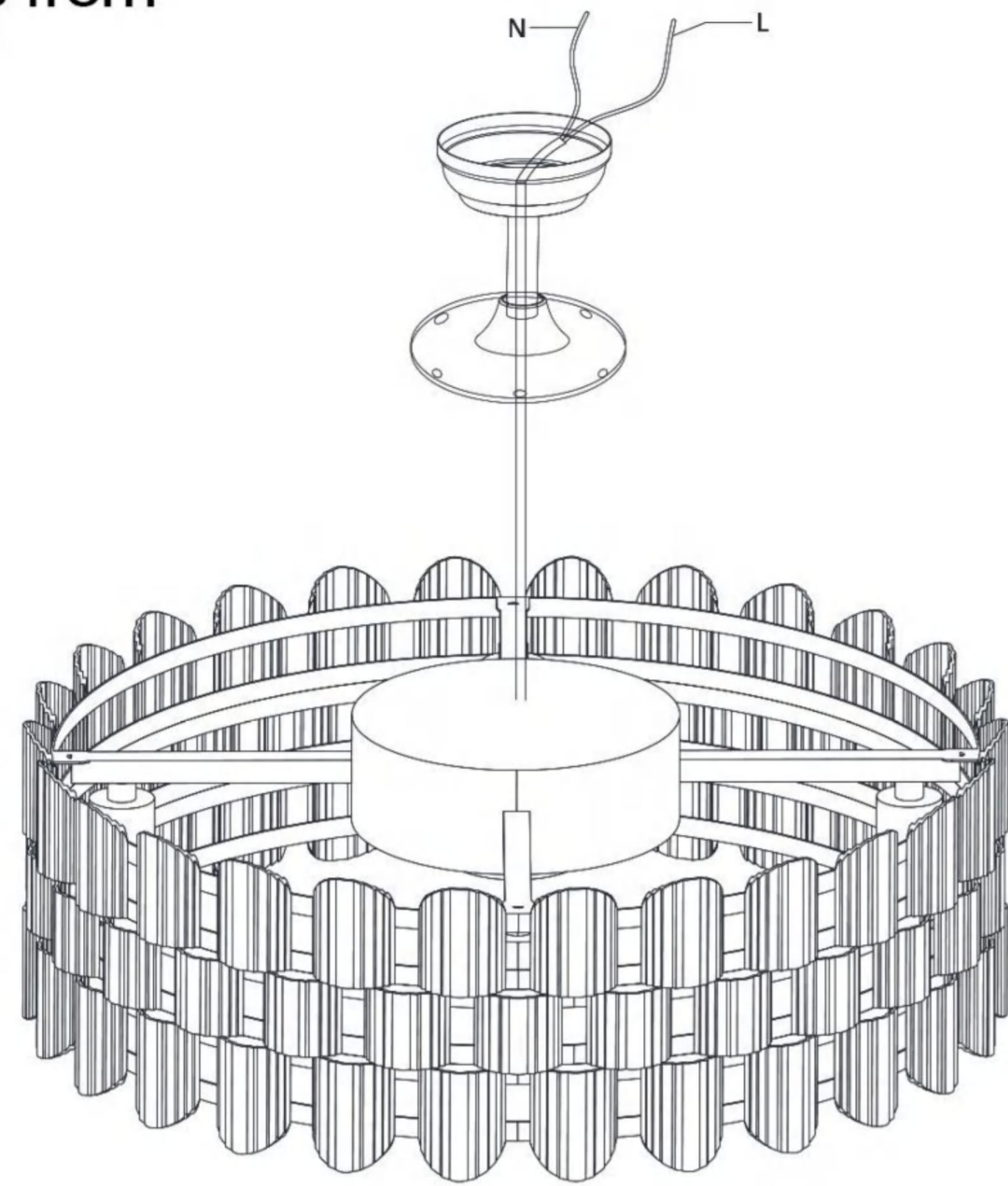
4

Remove the set screws on the fixture body

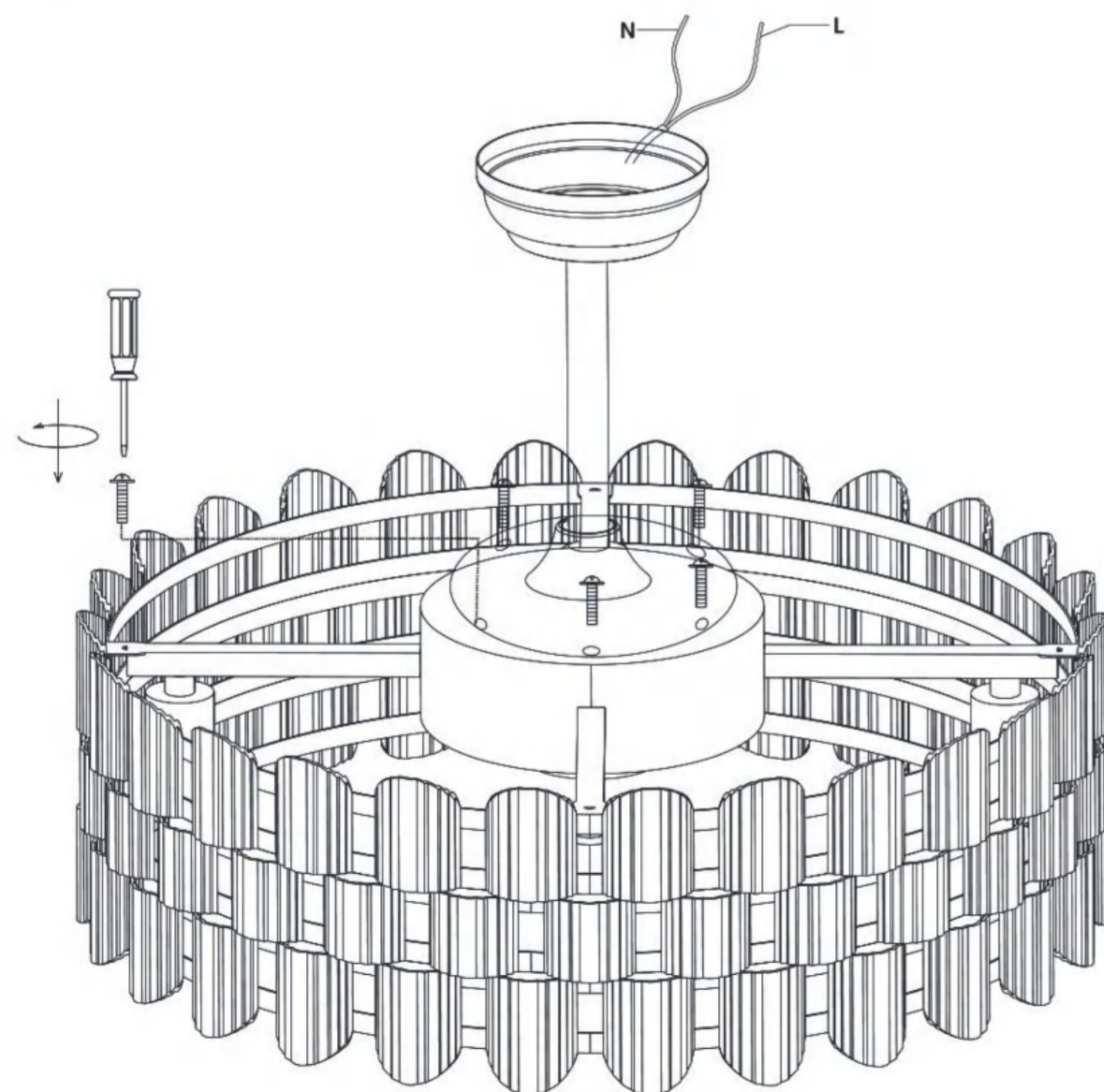


INSTALLATION

- 5** Thread the wires from the fixture body



- 6** Install the screws into the motor cap



INSTALLATION

- 7** Install Bulbs

Install 4 correct bulbs referring to fixture markings or labels for maximum wattage.

