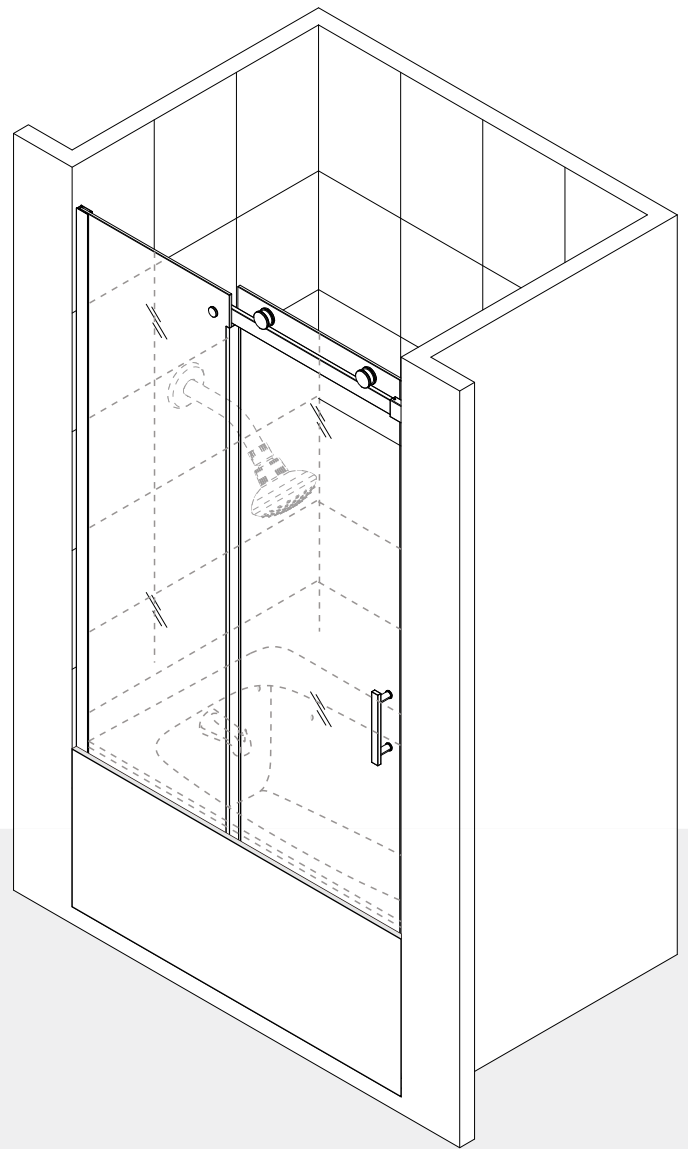
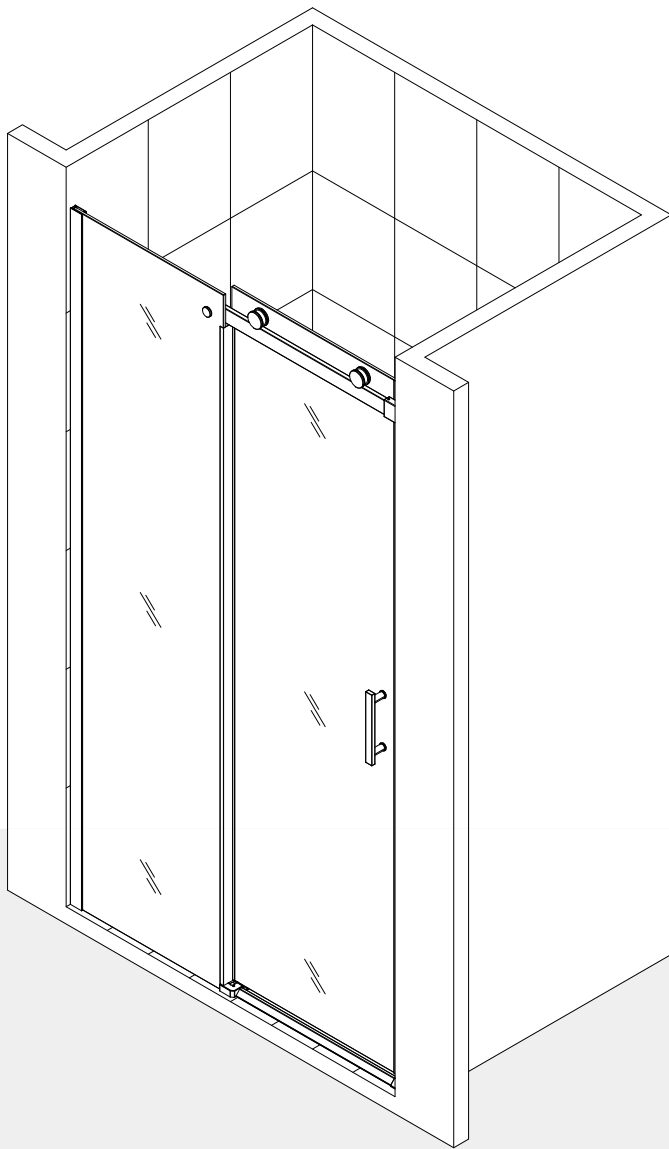
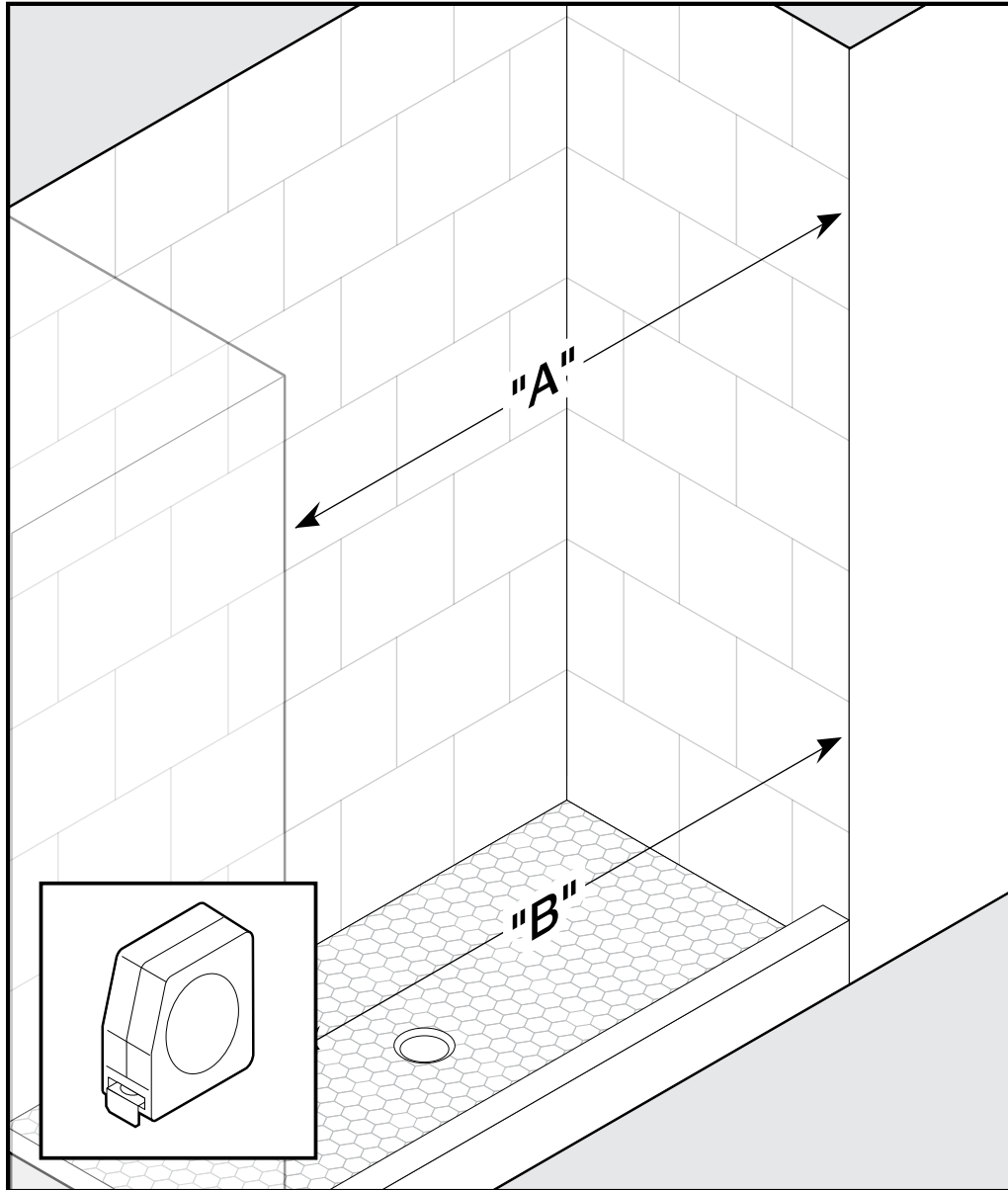


# INSTALLATION GUIDE



NK120



**CAUTION:** To avoid personal injury or property damage, identify components and read all instructions before installing.

**IMPORTANT:** Incorrect measurement may prevent proper door closure. Double-check measurement.

Before beginning installation, verify the door assembly will fit within the horizontal opening of the shower enclosure.

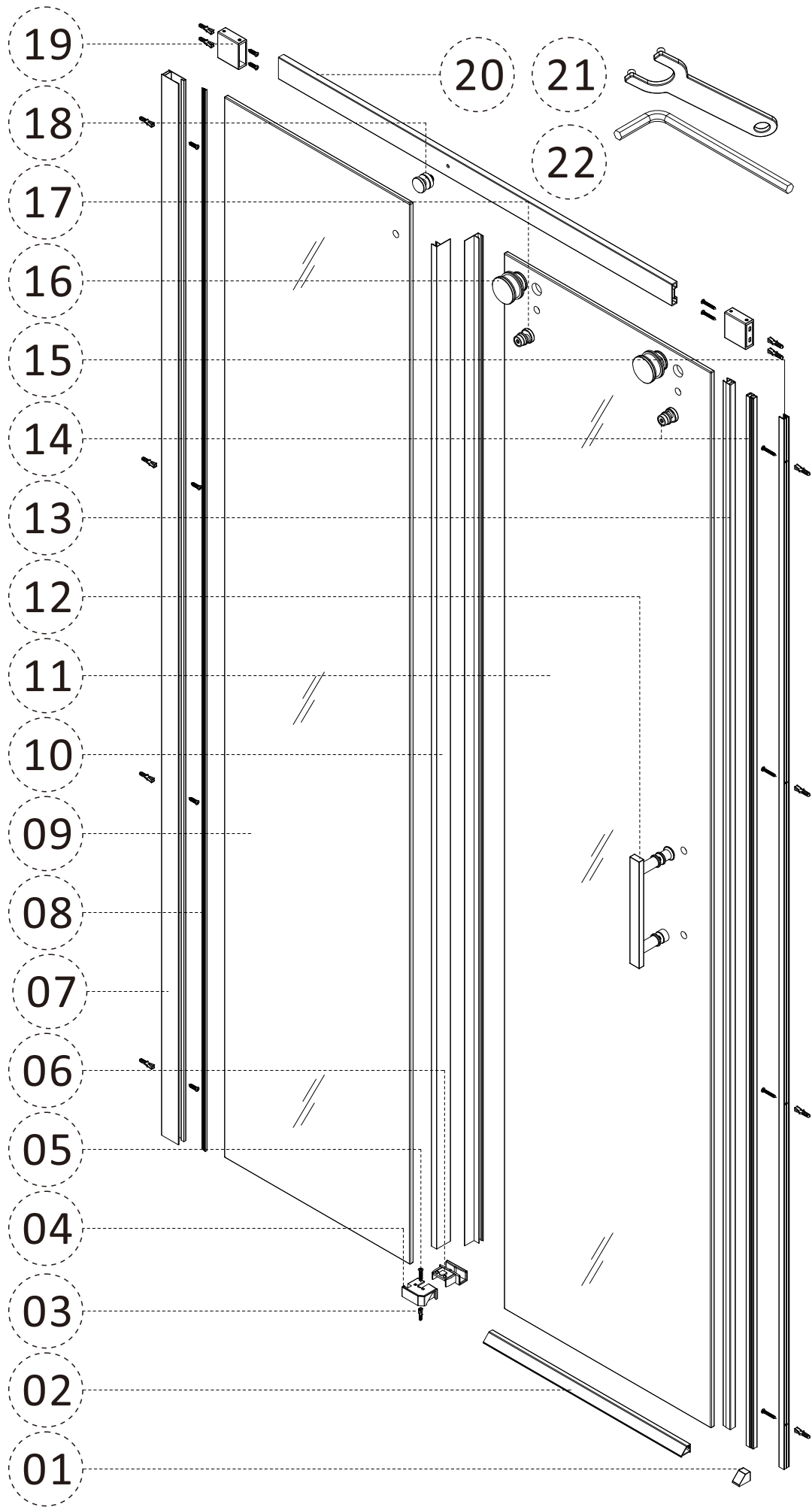
For the 60" door, the opening must be between 59.84" - 60.63".

Measure distance "A" of upper shower enclosure opening and distance "B" of lower shower enclosure opening.

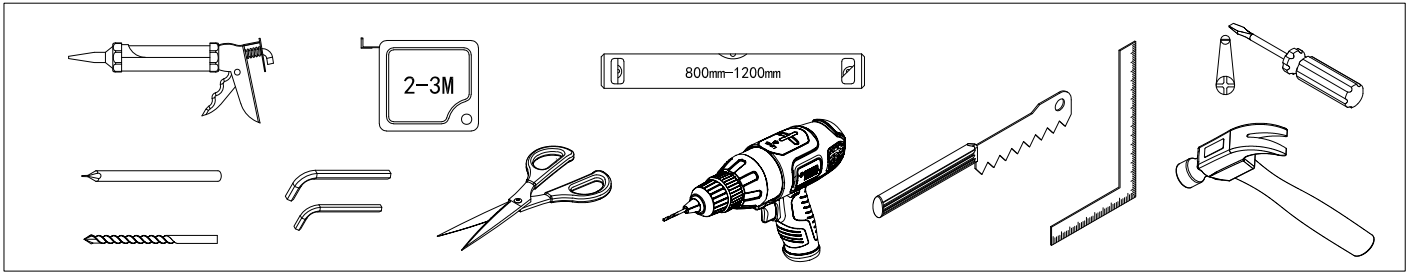
Both measurements should be within the dimensions listed above for required opening widths.

A = Upper Enclosure Width

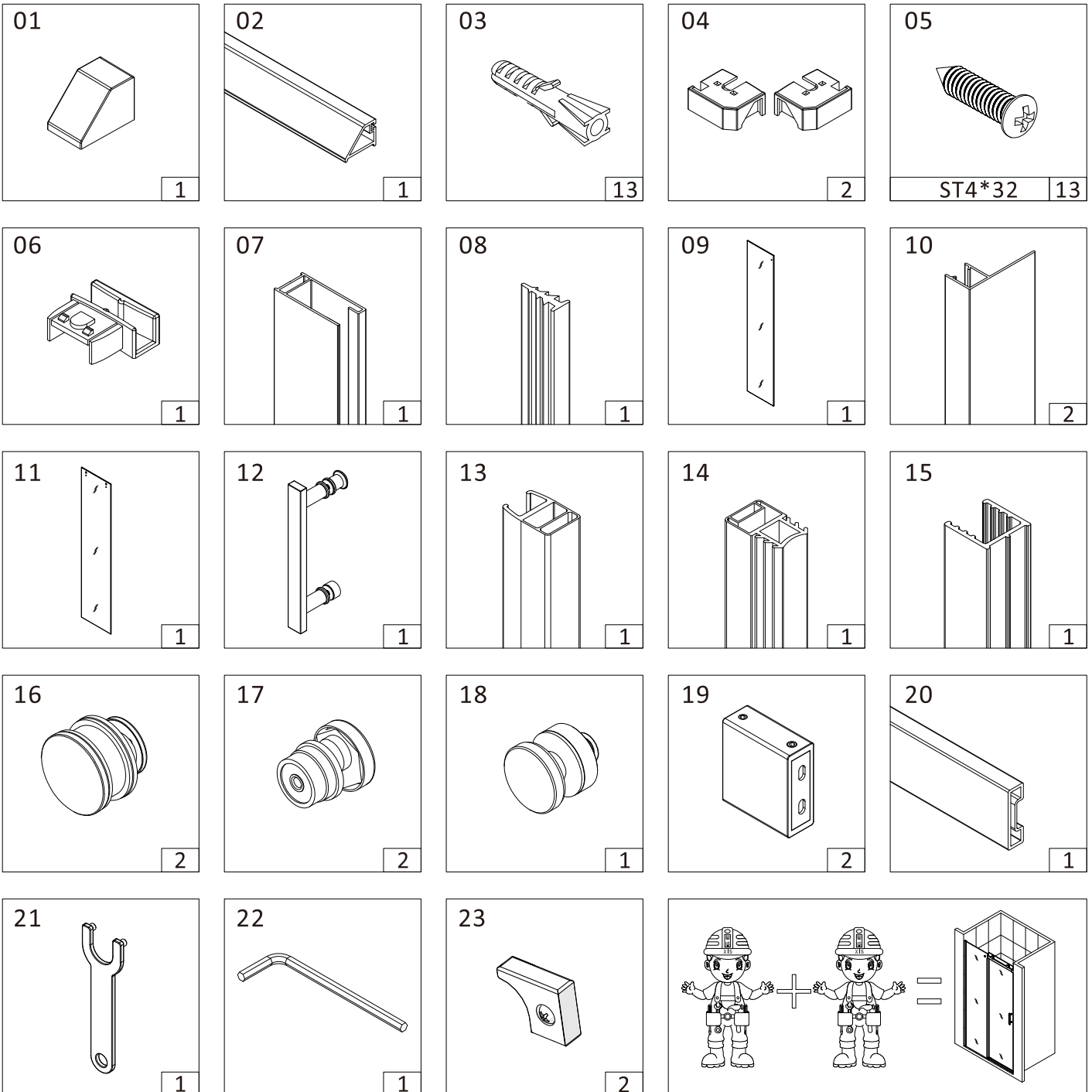
B = Lower Enclosure Width



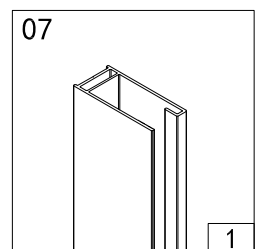
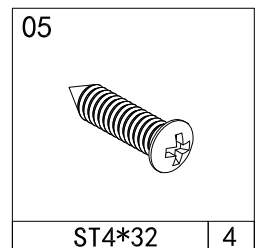
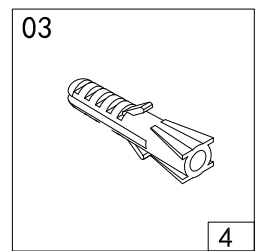
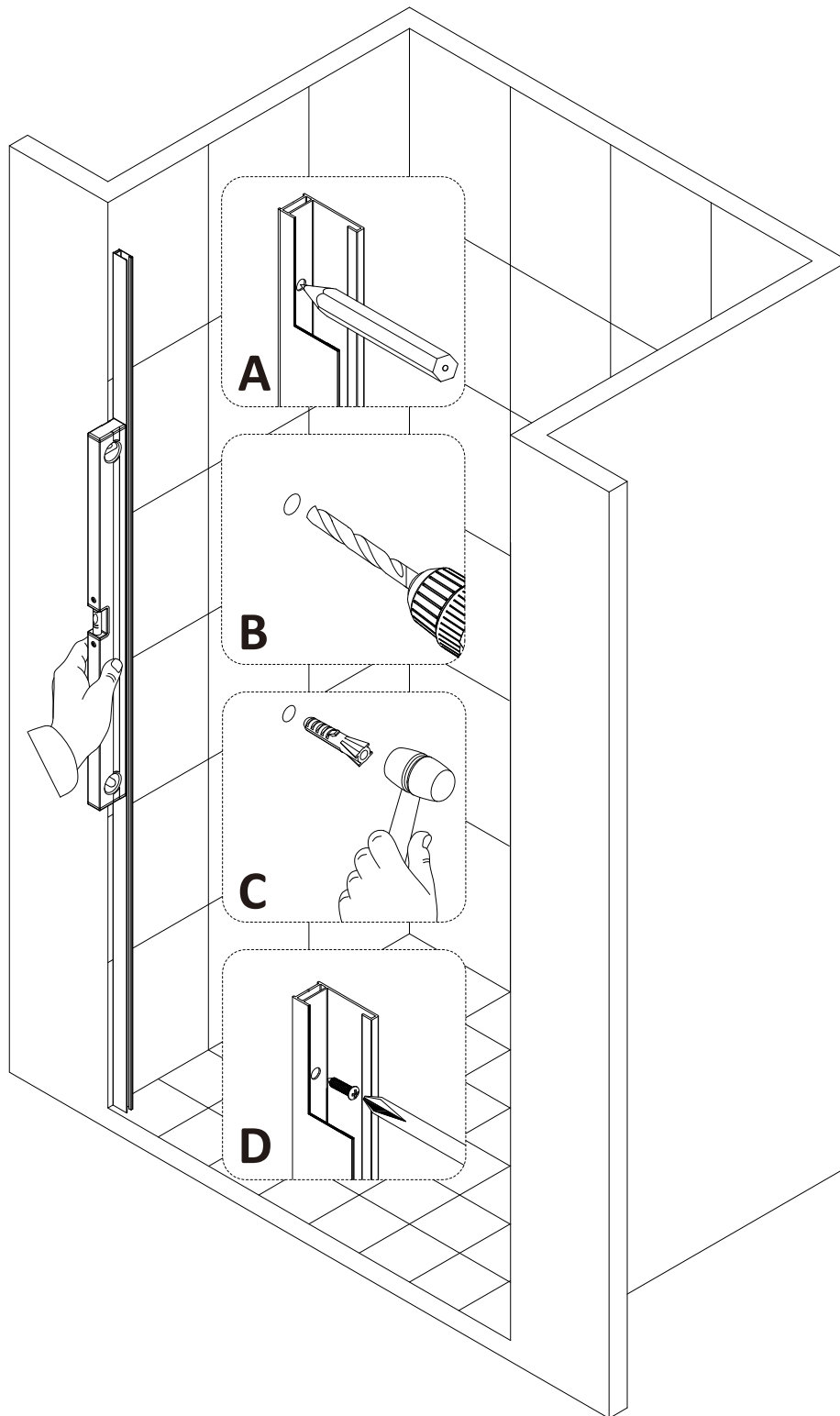
# Required Tools



# Included Parts



- ▶ Make sure all the accessories are included before you start assembling.
- ▶ If something missed please feel free to contact us.

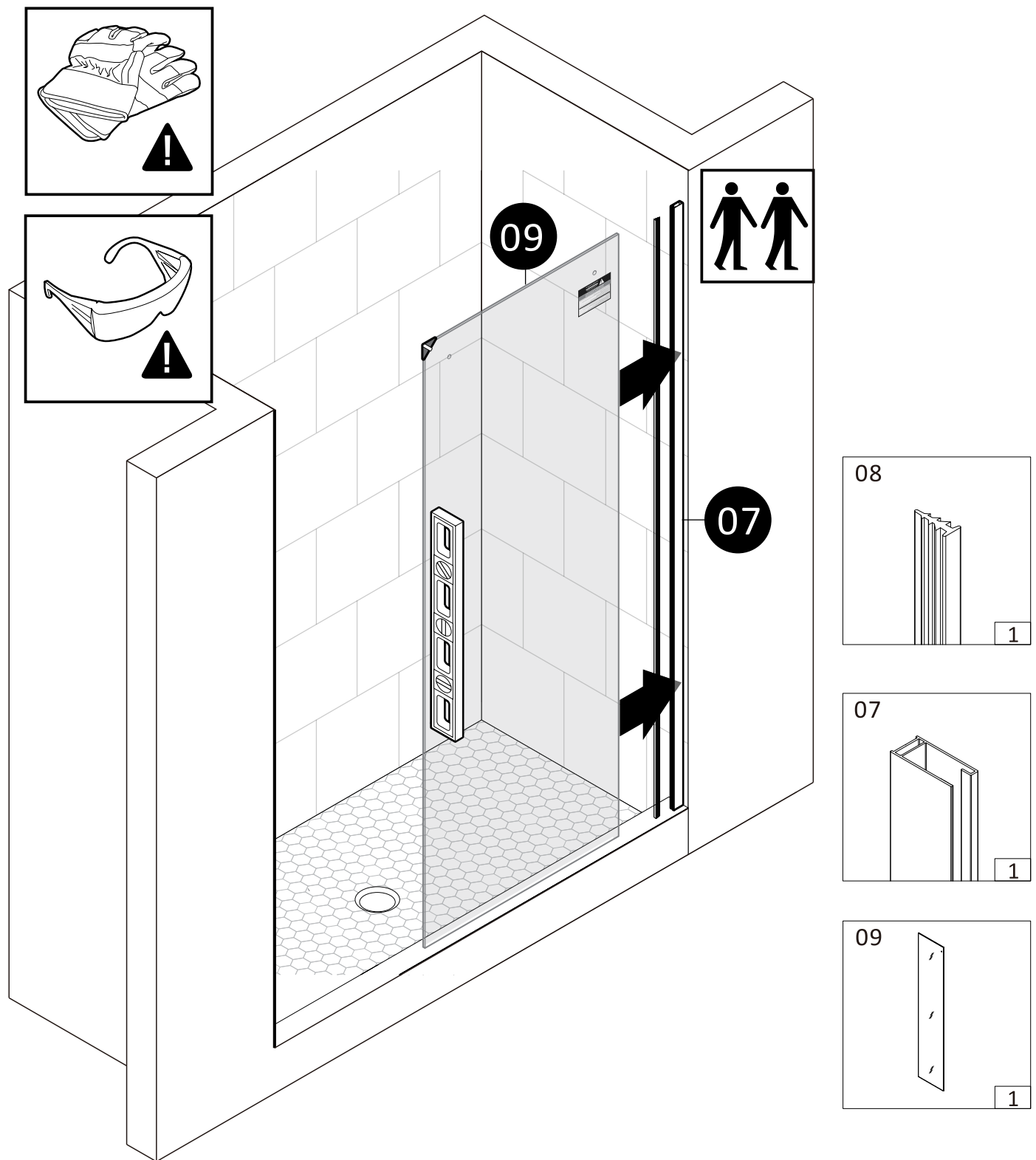


**A:** Mark the positions of all six screw holes with a pencil for fixing the wall profile (07).  
**Note:** Use a level (vertical) if necessary to ensure that the wall profile (07) is absolutely perpendicular to the ground.

**B:** Remove the wall profile (07) and drill a pilot hole at each marked position.

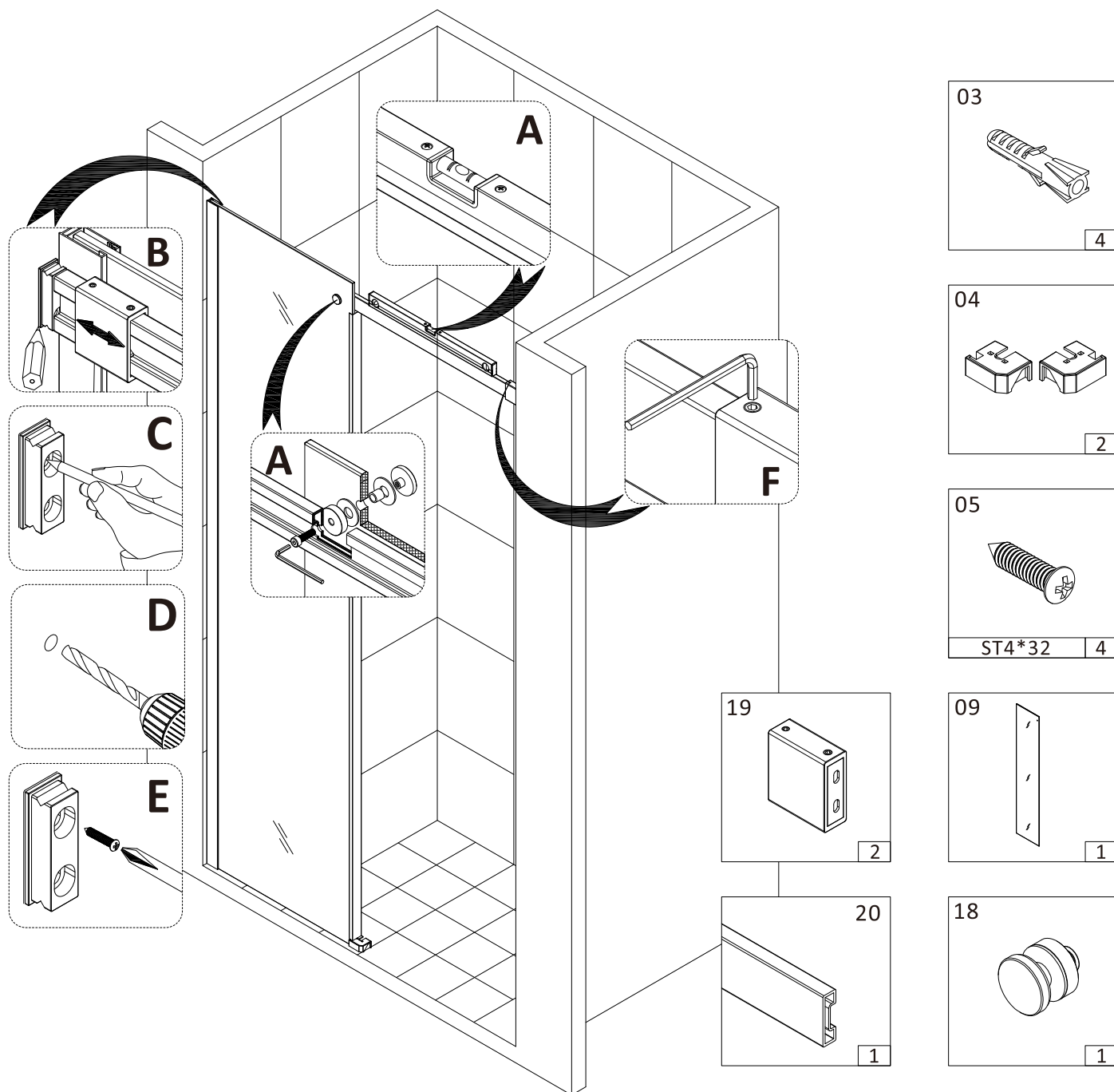
**C:** Insert an anchor (03) into each pilot hole. The anchor (03) should be firmly fitted into the hole. If necessary, use a rubber mallet to tap the anchor (03) in. To reduce the risk of property damage, the use of a metal hammer is not recommended.

**D:** Securely install the wall profile (07) onto the pilot holes using screws (05).



Remove inside corner protector from top of fixed door panel. Carefully, and with assistance from another capable person, position the fixed glass panel (09) into the wall profile (07). Using a level, check that fixed door panel (09) is vertical.

**NOTE:** Risk of injury or product damage. During installation, tempered glass should not come in contact with metal parts or hard surfaces (tile/concrete flooring) or it may shatter. Gaskets or bushings must always be used between glass and metal.



**A:** Attach the top track (20) to the inside of the fixed glass panel (09) with the fixed glass support (18) as shown in figure A. Use provided Allen wrench to hand tighten. **IMPORTANT.** Ensure all washers and bushings are installed as shown. Repeat for remaining fixed glass support (18). **MTE:** Make sure limit stop on top track faces inside of enclosure.

**B:** Ensure top track (20) is level. Using a pencil or other marking tool (such as masking tape), mark the projection of the top track location on the door wall (20).

If needed, use a straight edge to assist in this marking while track is held level. **NOTE:** Top track should align between stud location lines marked in step B.

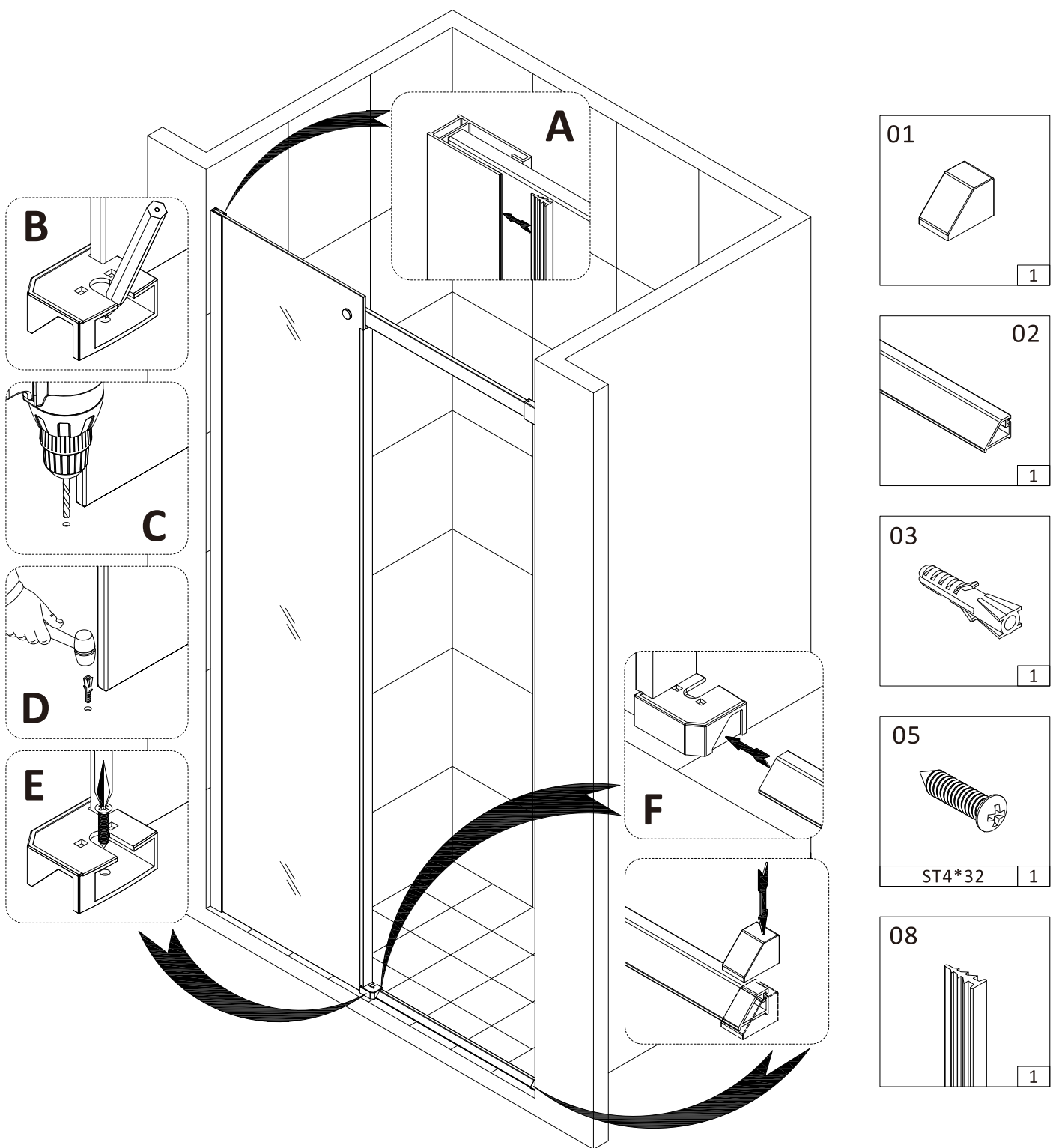
**C:** Mark the pre-drilled hole positions with a pencil for the central support bracket installation.

**D:** Drill pilot holes at the marked positions using an electric drill

**E:** Secure the central support bracket with screws (05).

**F:** Slide bracket collar (19) outward (toward wall) over mounting bracket.

Hand tighten all four Allen screws by hand until secure. **IMPORTANT:** The pointed Allen screws **MUST** be oriented closest to the wall when bracket collar (19) is reinstalled.



A: Insert the weatherstrip (08) into the wall profile (07). Please ensure it is firmly inserted to guarantee the product's sealing performance.

B: Insert the floor guide (04) into the fixed glass (09), and use a pencil to confirm the positions where the floor guide (04) requires pilot holes, then mark these positions.

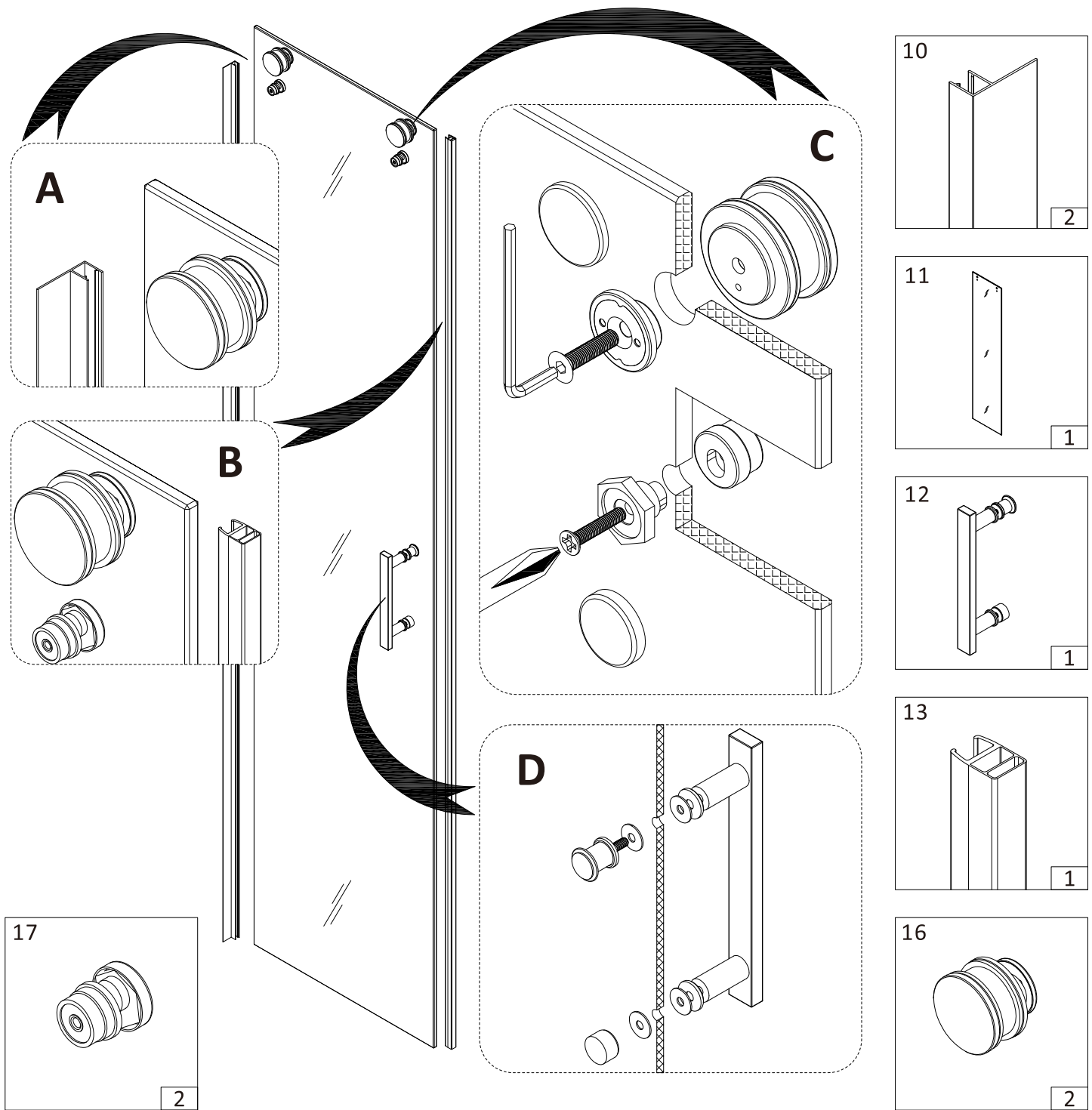
C: Remove the floor guide (04), and drill a pilot hole at the marked locations.

D: Insert the anchor (03) into the pilot hole. The anchor (03) should be securely fitted into the hole. If necessary, use a rubber mallet to tap the anchor (03) in. To minimize the risk of property damage, the use of a metal hammer is not recommended.

E: Securely install the floor guide (04) onto the pilot holes using screws (05).

**Note: If the product is installed on a bathtub, use only silicone sealant to secure the bottom guide (04). This will prevent damage to the bathtub.**

F: Insert the drip bar (02) into the groove of the floor guide (04). Then use the drip bar cover (01) to cover the end of the drip bar (02) to prevent rust. Note: The length of the drip bar (02) can be trimmed as needed to fit your door opening.

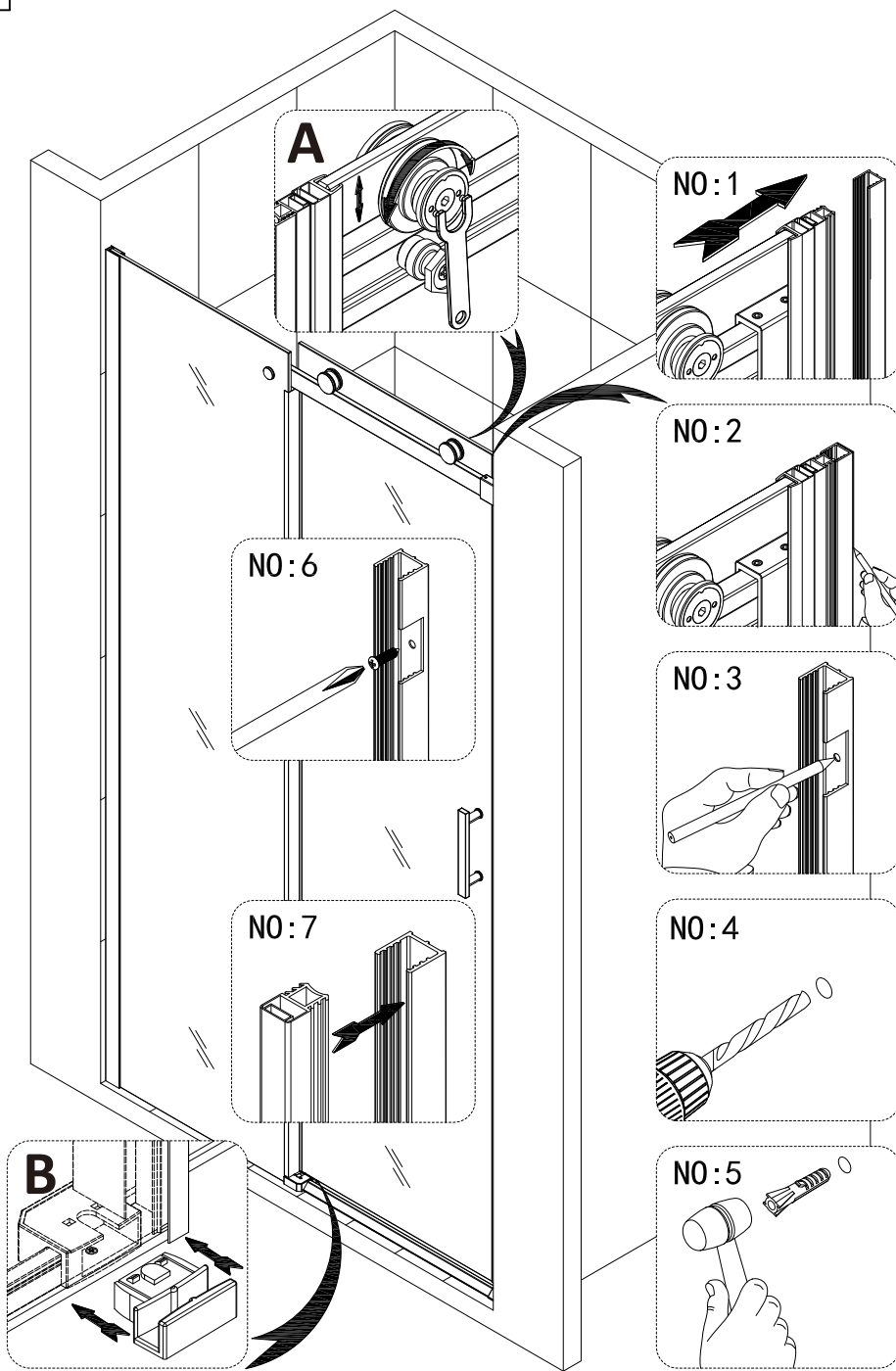


**A:** Insert the drip bar (10) into the side of the sliding glass (11). You can trim the drip bar (10) to an appropriate length to fit sliding glasses (11) of different sizes.

**B:** Insert the drip bar (13) into the side of the sliding glass (11). You can trim the drip bar (13) to an appropriate length to fit sliding glasses (11) of different sizes.

**C:** Install the wheel system. Open the covers of the two upper wheels (16), install them on the pre-drilled holes at the top of the sliding glass (11) as shown in Figure C, and tighten with a hex wrench, then close the covers. Open the covers of the two lower wheels (17), install them on the pre-drilled holes at the bottom of the sliding glass (11) as shown in Figure D, and tighten with a Phillips screwdriver, then close the covers.

**D:** Install the door handle. Install the door handle (12) at the pre-drilled hole position for the door handle on the sliding glass (11).



**A:** Use the tool (20) to adjust the roller (16) to ensure the sliding glass is level (or plumb). Note: Open the outer cover of the roller (16) when adjusting. After adjustment is complete, close the outer cover of the roller (16).

**NO1:** Carefully close the sliding glass (11) so that the edge of the glass is close to the side. Ensure that the glass panel does not hit the side wall.

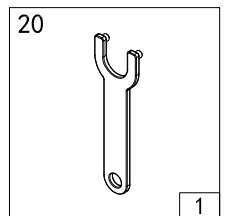
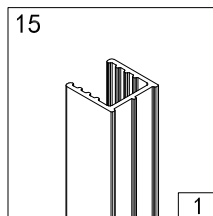
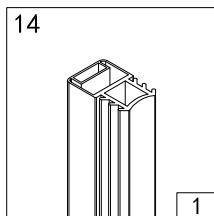
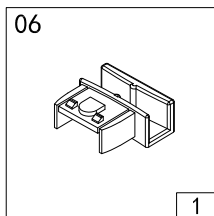
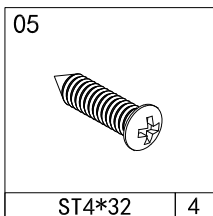
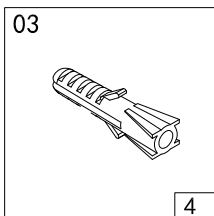
**NO2:** Next, mark the edge position of the internal sliding glass panel (11) with a pencil.

**NO3:** Open the sliding glass (11) and mark three hole positions on the wall profile (15) with a pencil.

**NO4:** Remove the wall post (11) and drill a pilot hole at each marked position using a drill bit.  
**NO5:** Insert the anchor (03) into each pilot hole. The anchor (03) should be firmly fitted into the hole.

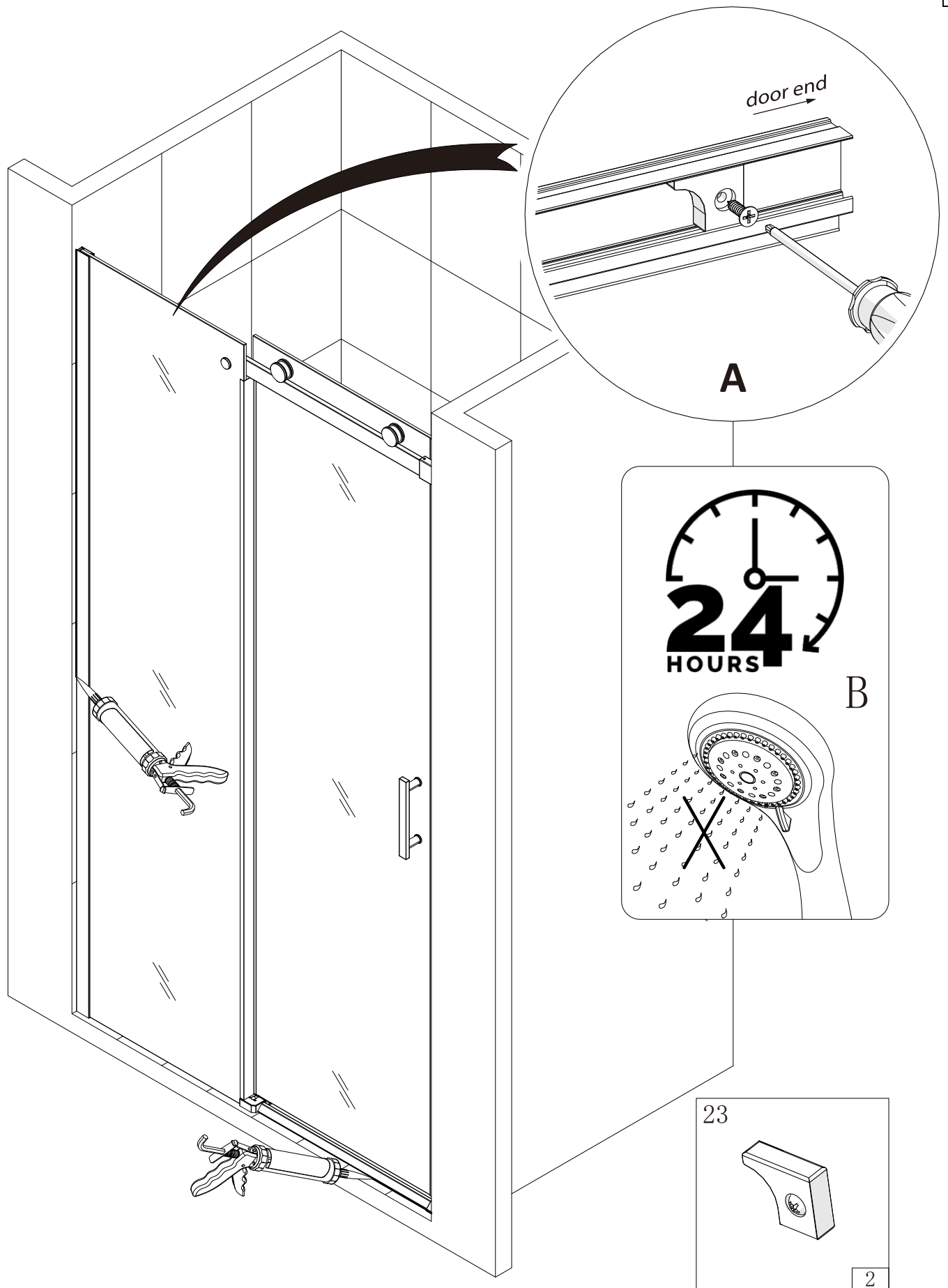
**NO6:** Reposition the wall profile (15) and secure it with screws (05).

**NO7:** Firmly insert the magnetic seal strip (14) into the wall profile (15).



**B:** Insert the anti-swing device (06) into the floor guide.

**Note:** There is a risk of personal injury or product damage. During installation, tempered glass should not come into contact with metal parts or hard surfaces (such as tile/concrete floors) as this may cause it to break. It is necessary to use washers or gaskets between the glass and metal to prevent this.



A: Use a Phillips screwdriver to install the stopper (23) at the pre-drilled hole location.

B: Apply a quality, mold-resistant clear silicone to the entire interior perimeter of the shower door. Allow 24 hours for the silicone to set before using the shower.