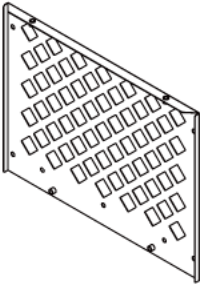
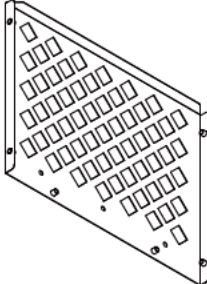
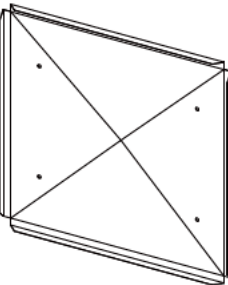
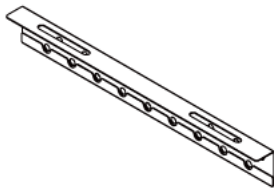

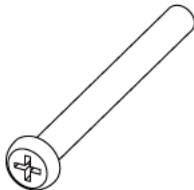




Square Chimney Cap

Assembly Instructions

Parts List and Diagram

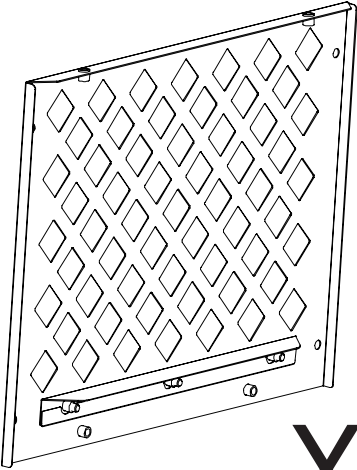
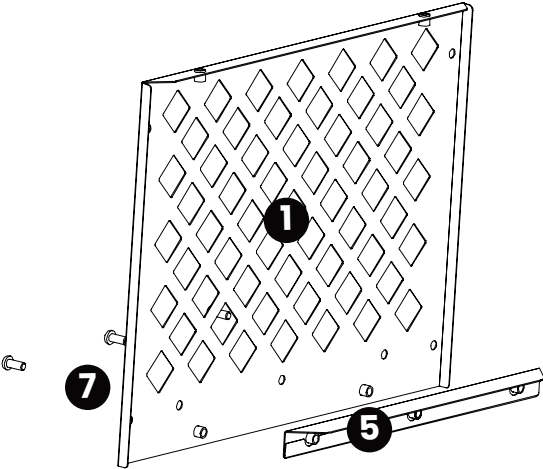
Item no.	Reference Image	Qty.	Item no.	Reference Image	Qty.
1		x2	2		x2
3		x1	4		x4
5		x4	6		x8
7		x24	8		x1

Notice: ② is slightly taller than ① and ② has 2*nuts on 3 sides

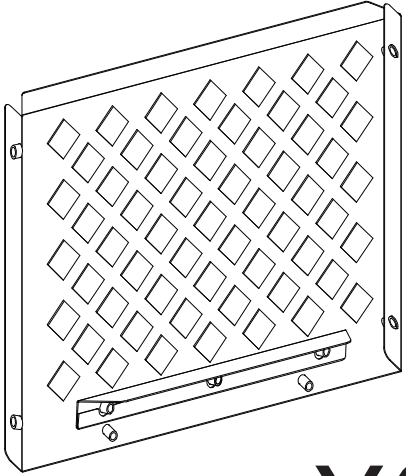
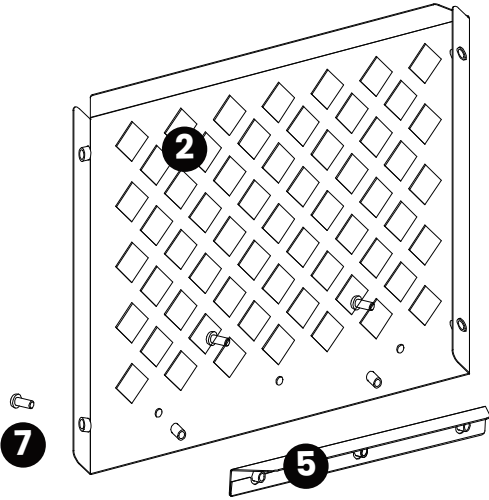
Assembly Steps

STEP 1 **1** x 2 pcs. **2** x 2 pcs. **5** x 4 pcs. **7** x 12 pcs.

Install the inner bezel to the side panel first.



X2



X2

Assembly Steps

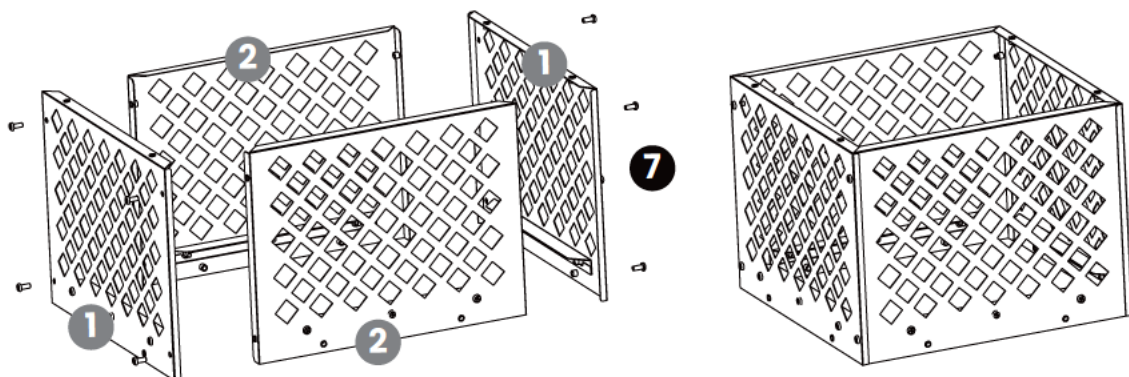
STEP 2

1 x 2 pcs.

2 x 2 pcs.

7 x 8 pcs.

Then assemble the side panels together.

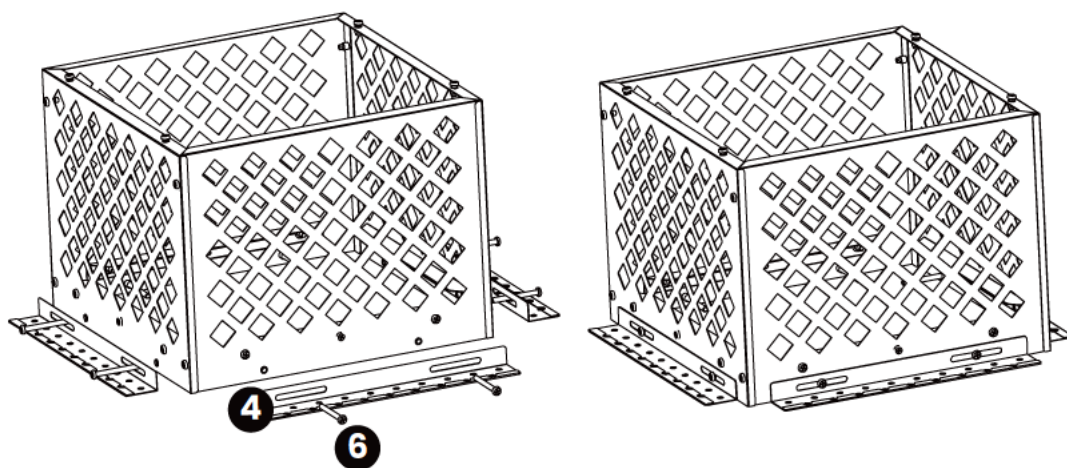


STEP 3

4 x 4 pcs.

6 x 8 pcs.

Then attach the outer bezel.



Assembly Steps

STEP 4

3 x 1 pc.

7 x 4 pcs.

Install the top cover again and you're done.
Depending on the size of your chimney, you can choose an inner baffle as a positioning or an outer baffle for fixation.

