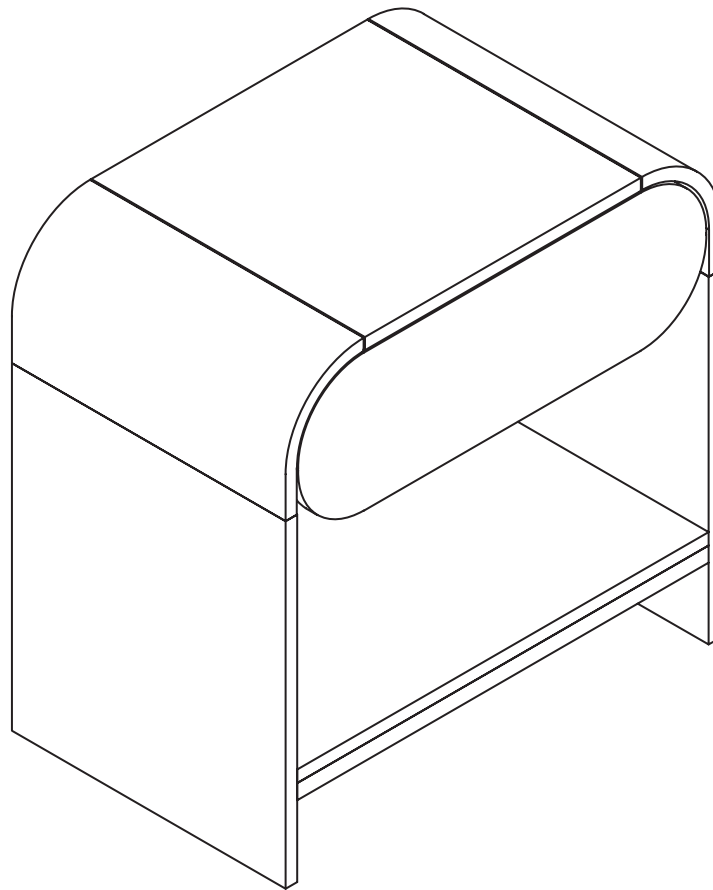


Let's build the

# Iris Nightstand

SKU 36520



**Scan me!**

Free Lifetime  
Warranty

nathan james

23-0821

# Ok, let's get rolling

This should be easy, just follow our instructions and you will be back to Netflix in no time.

## Estimated time for assembly



25:00

## What you need

- Some of your favourite bubbly or your preferred relaxant
- Use the packaging carton as a working surface to prevent product damage during assembly
- Phillips head screwdriver

Do not use a drill

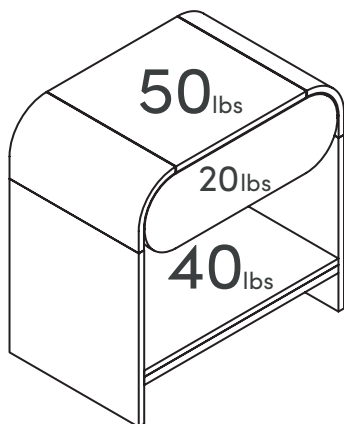


## Weight Limitation



110

lbs total weight capacity



## What's included

Description	Qty
A Top Sub-Assembly	1
B Right Side Panel	1
C Left Side Panel	1
D Shelf	1
E Drawer	1
1 1/4"*32mm Bolt	8
2 Flat Washer	8
3 Allen Key	1
4 8*30mm Wooden Dowel	8

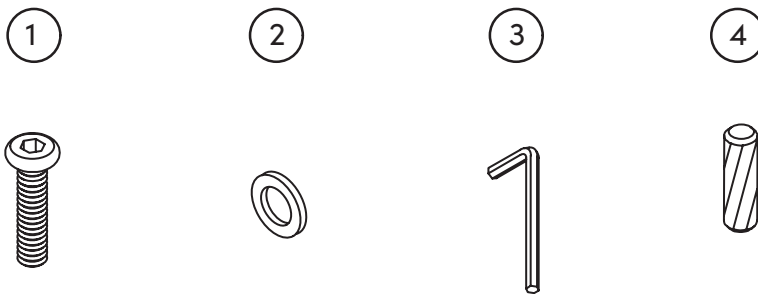
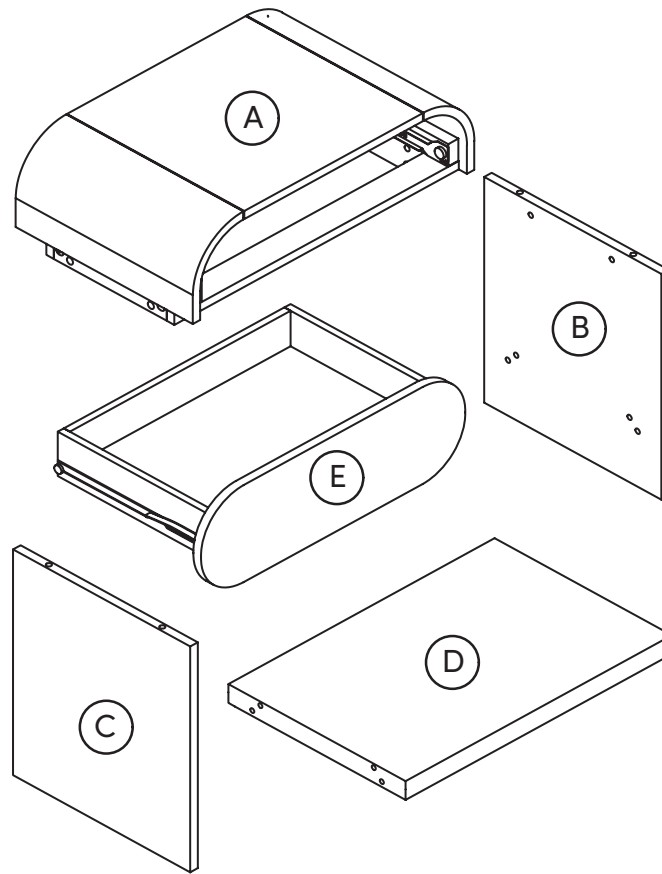
Toll-free at 1-866-619-1004  
Help@nathanjames.com  
Nathanjames.com/help

Scan me!

Free Lifetime  
Warranty



# The goods



## IMPORTANT

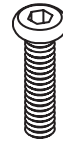
1. Do not tighten bolts / screws completely until all bolts / screws are lined up and inserted into holes.
2. Do not over tighten screws and bolts to avoid stripping.
3. Please use hand tools to assemble this product. Do not use power tools.

# Step 1

Let's get this thing fired up! Secure the Right Side Panel (B) with the Shelf (D) using the 1/4"×32mm Bolts (1) and Flat Washers (2) and Wooden Dowels (4).

For now, tighten everything to 90%.

1



x2

2

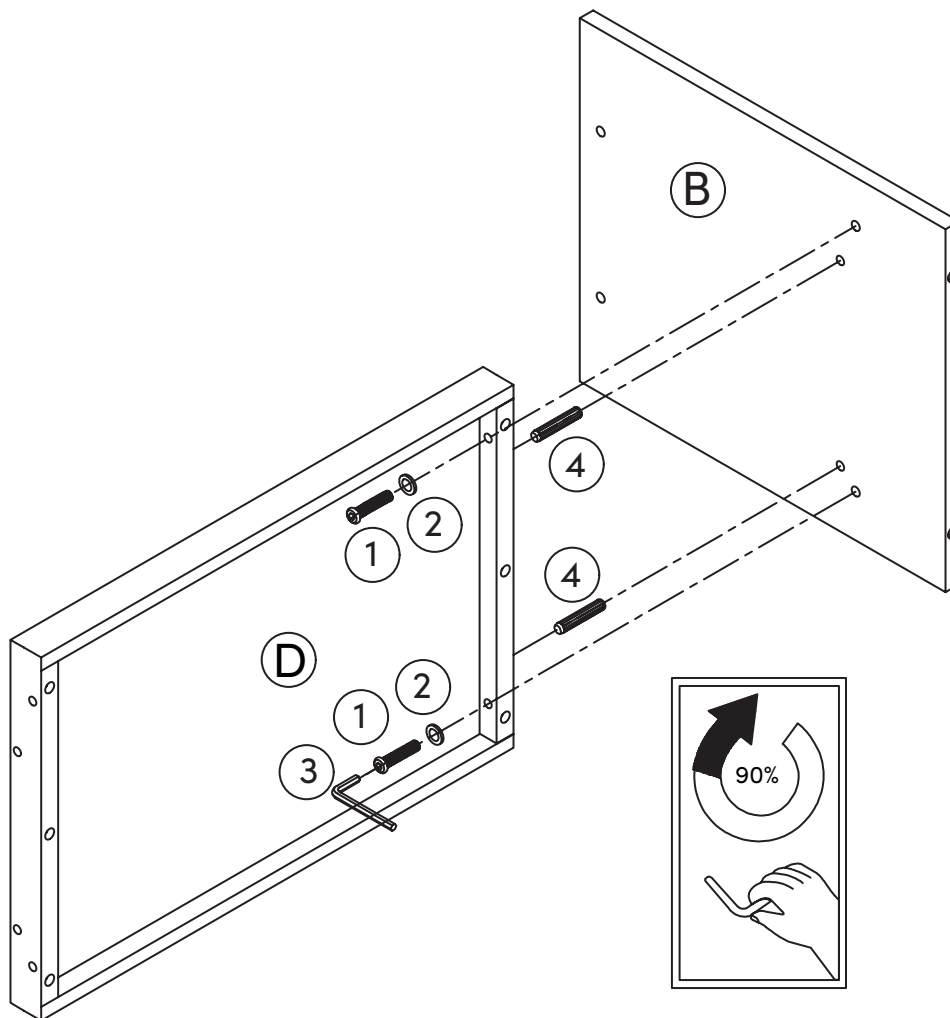


x2

4



x2



# Step 2

You're within minutes of pressing play on Netflix!

Now, attach the Left Side Panel (C) to the other side of the Shelf (D).



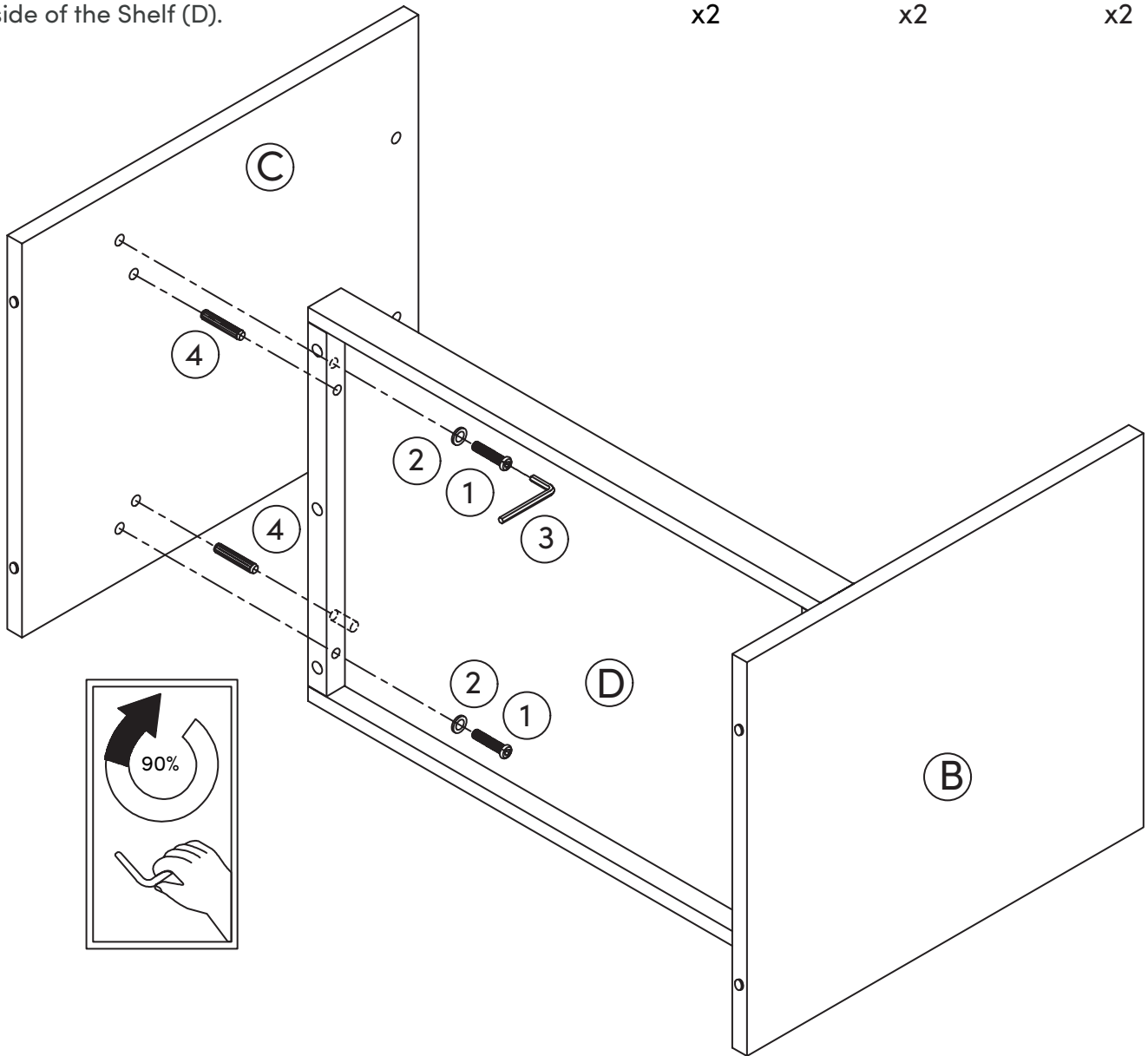
x2



x2

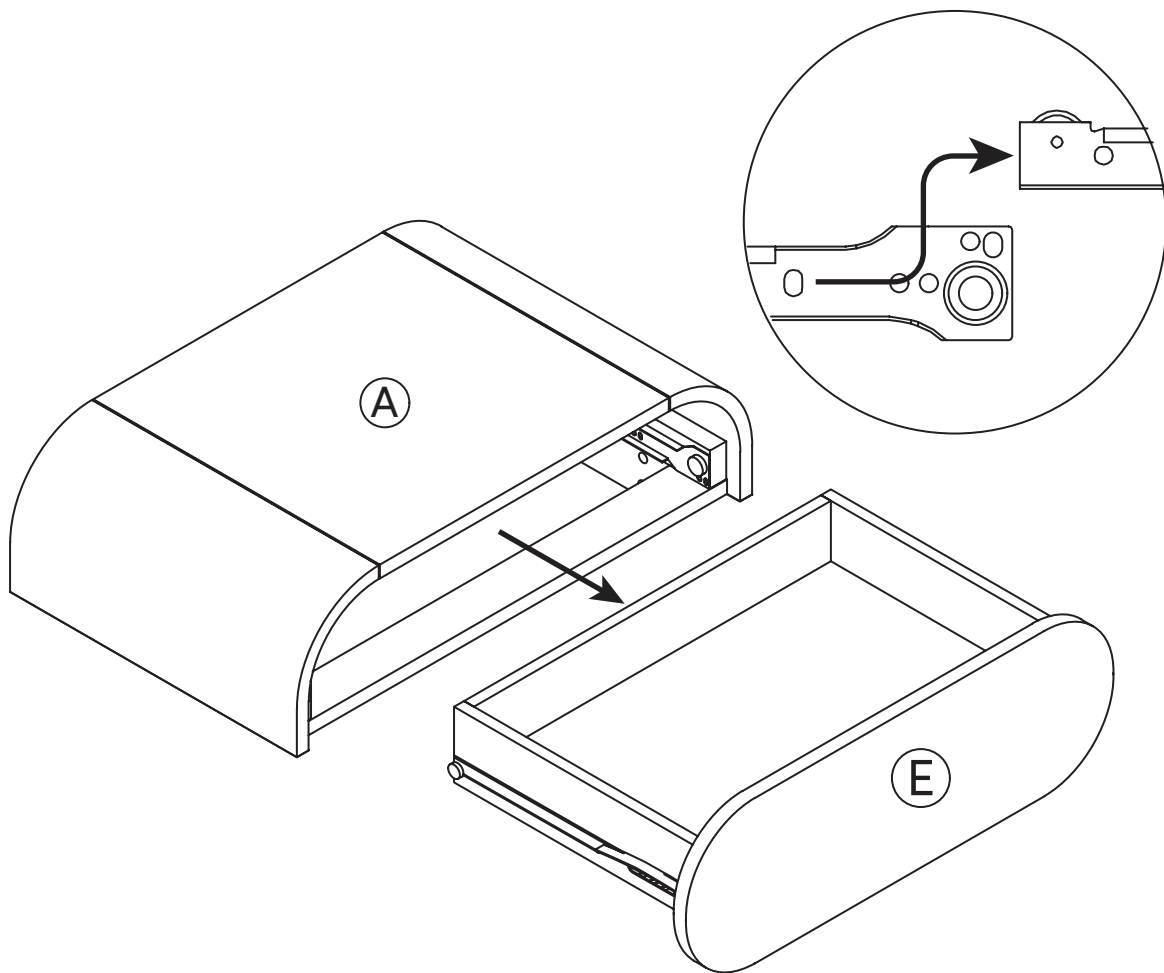


x2



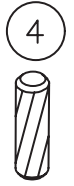
# Step 3

Temporarily remove the Drawer (E) from the Top Sub-Assembly. We told you this was going to be easy!

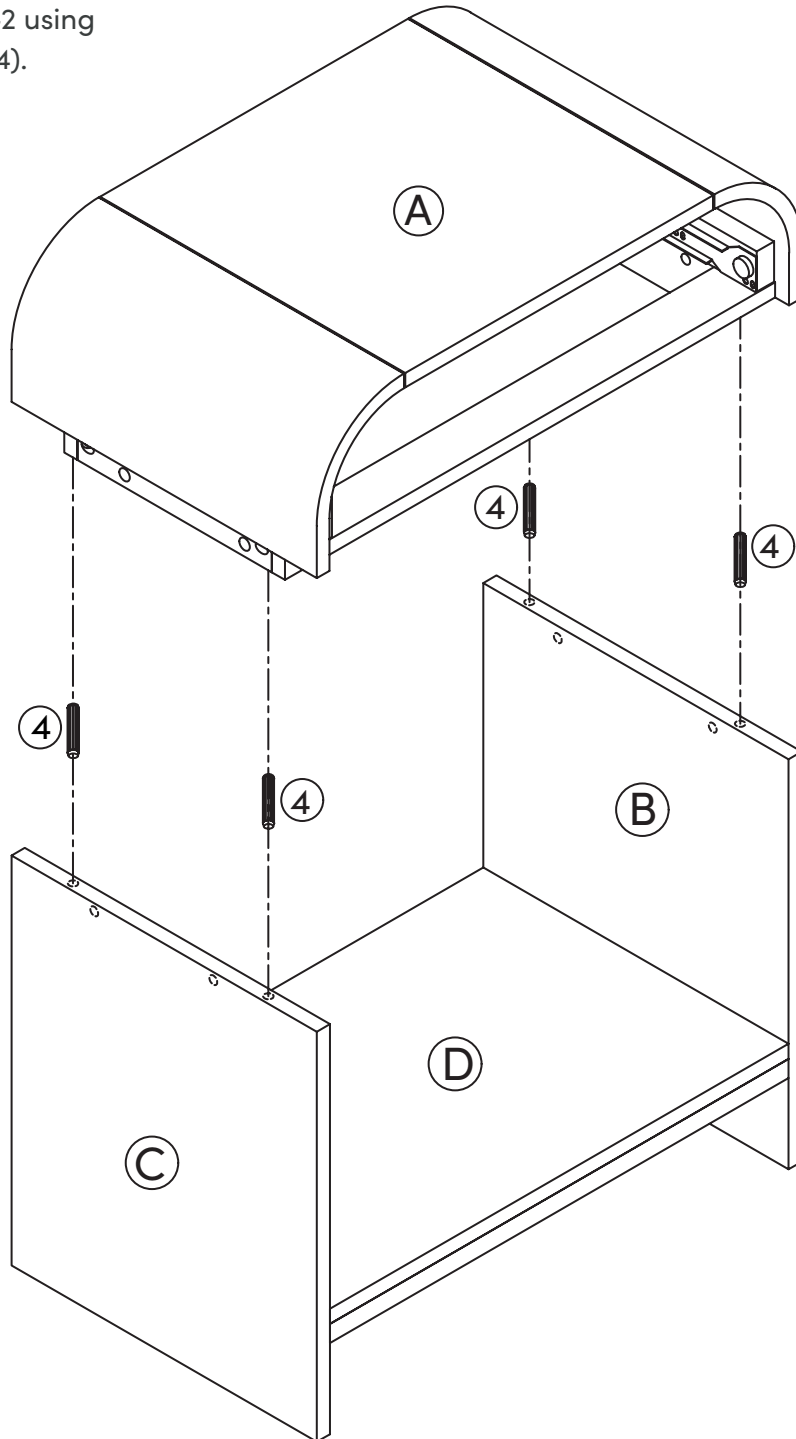


# Step 4

How much wood would a woodchuck chuck? Join the Top Sub-Assembly with the nightstand base you assembled in Steps 1-2 using the Wooden Dowels (4).



x4

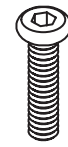


# Step 5

Secure the Top Sub-Assembly (A) to the Side Panels (B) and (C) using the 1/4"×32mm Bolts (1) and Flat Washers (2).

Tighten to 100%!

1

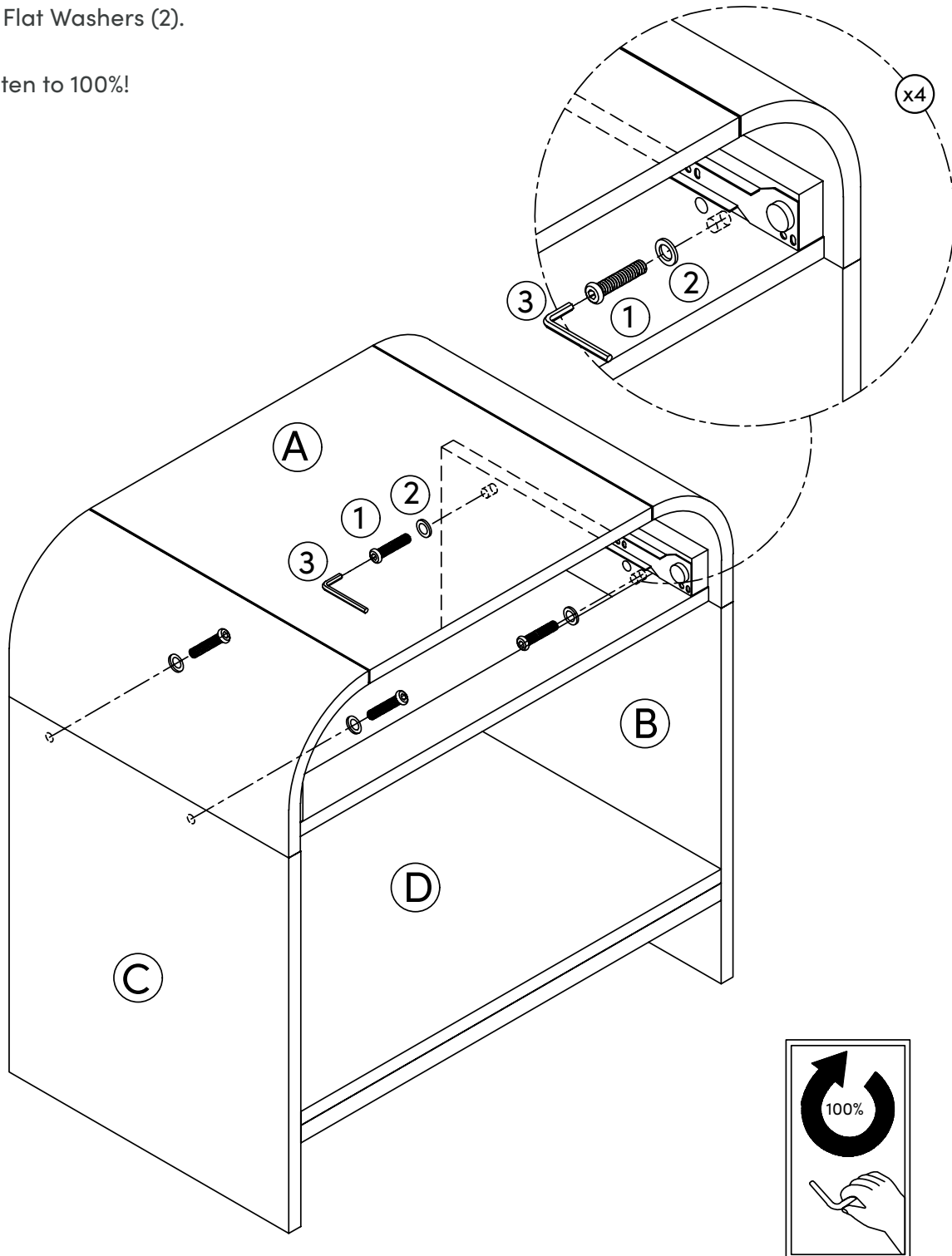


x4

2

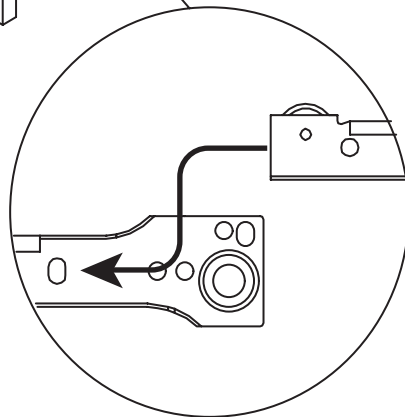
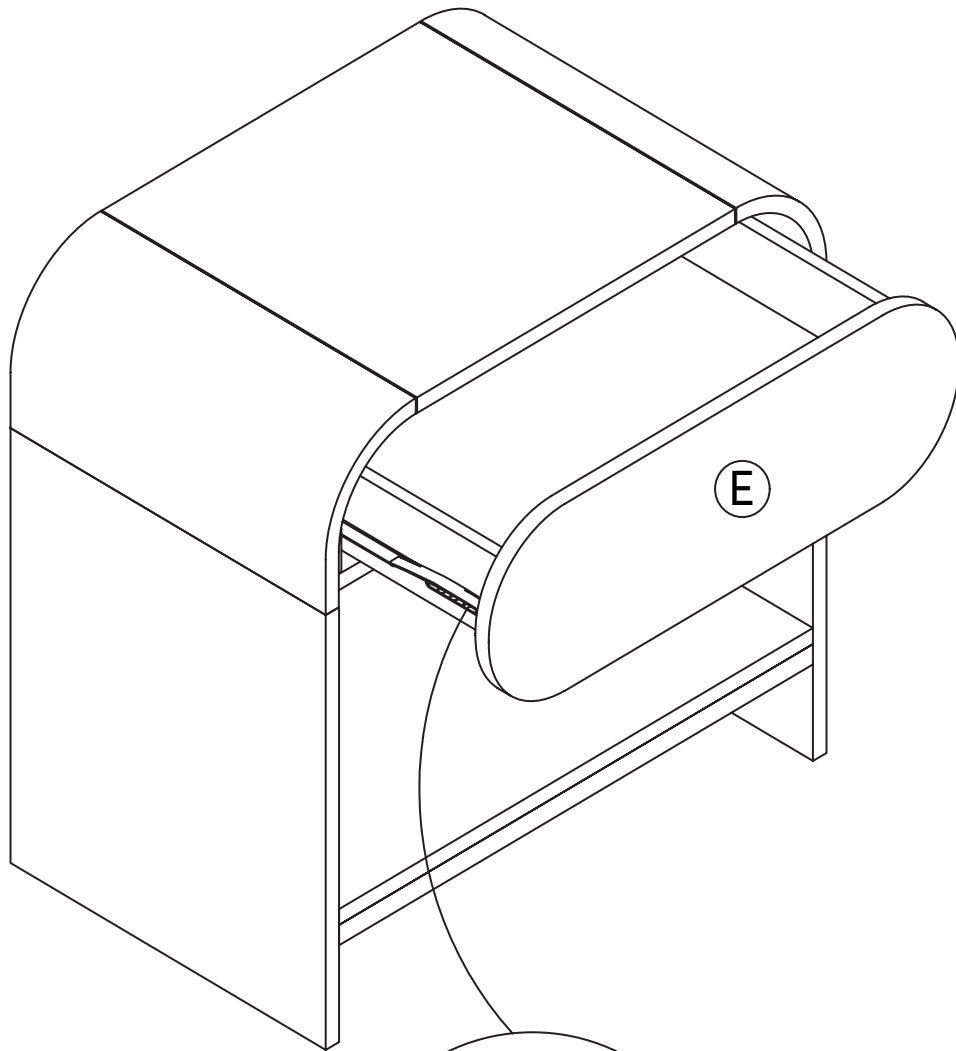


x4



# Step 6

Carefully slide the  
drawer back in and  
cue the party music!  
You did it!



# No heartburn, when we handle the return

Give us a call **1-866-619-1004** or shoot us a message at **help@nathanjames.com** we will issue you a free replacement with **zero hassle**.

## Our way



Give us a call

---



Replacement

---



You

## Their way



Re-package item

---



Schedule pick up

---



Track package

---



Replacement

---



You

We really don't want you to go through the hassle of re-packaging your item and sending it back, because let's be honest...nobody has time for that.

# Safety first, fun later

We want your product to last as long as possible, so we recommend that you tighten the screws 2 weeks after assembly and for added safety check the tightness of all screws every 2 months.

For proper care and treatment, please check our website at [NathanJames.com/products](http://NathanJames.com/products)

## Safe use of this product starts with you.

Use this product responsibly with the primary concern for your safety. Follow assembly instructions carefully and inspect product upon receipt and each use.

Nathan James and its parent companies cannot be held legally responsible for any injuries or death resulted from failure to follow instructions or improper use of this product.

## Do not modify the structure of this product in any way.

Our products have been tested to meet specific safety measures as they were originally intended to be sold. Any modifications will present the risk of creating significant safety issues which NJ will not be responsible for.

## Proper use

- DO NOT** use for commercial purposes
- DO NOT** frolic on nightstand
- DO NOT** use nightstand as foot stool
- DO NOT** leave spilled liquid on nightstand
- DO NOT** use nightstand if damaged
- DO NOT** make temporary repairs
- DO NOT** use outdoors

# We are only in business if you're happy

For starters, thanks for being you.

☎ Toll-free at 1-866-619-1004

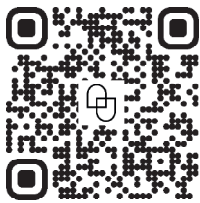
✉ Help@nathanjames.com

🌐 NathanJames.com/help

We do our best to ensure your furniture arrives without any problems, but occasionally mistakes happen—as humans we are imperfect beings. In the event that a part is damaged or missing, we will be more than happy to provide you with replacement part(s) for free.

## Warranty

This product comes with a lifetime warranty from the date of purchase. Please use your phone to scan the QR code to register your product or visit <https://goo.gl/i9dk3q>



### Did we do alright? Please spread the love!

If you are happy with your product, tell your friends and family about us or even better leave us a review online. Spreading the word gives us the opportunity to make more people happy and keep our prices low for your next purchase.

*Brooklyn Burden*

Founder, Nathan James