

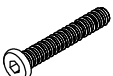


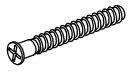
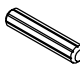
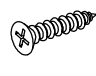
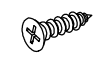

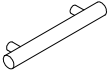


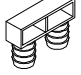






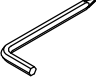
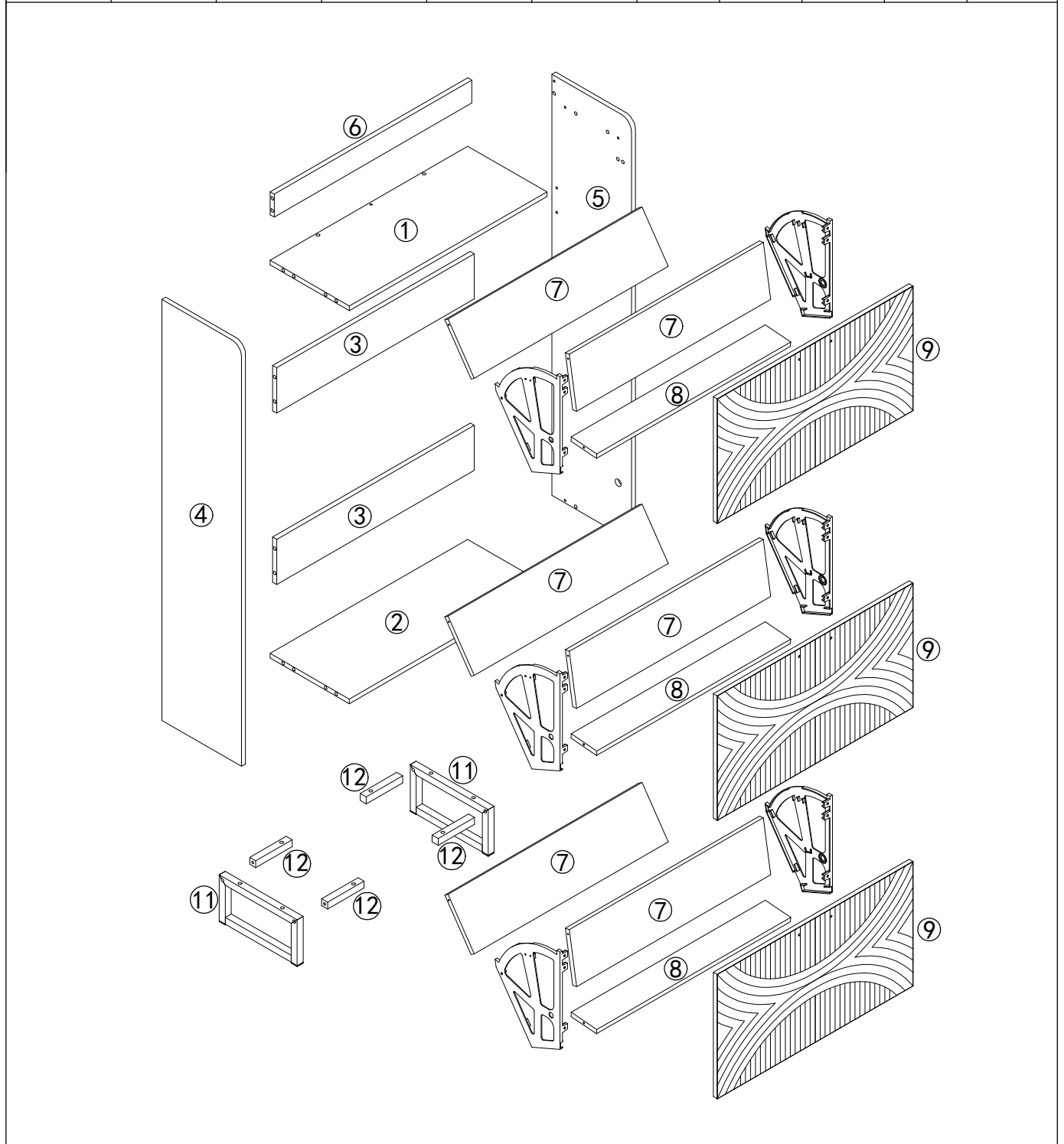
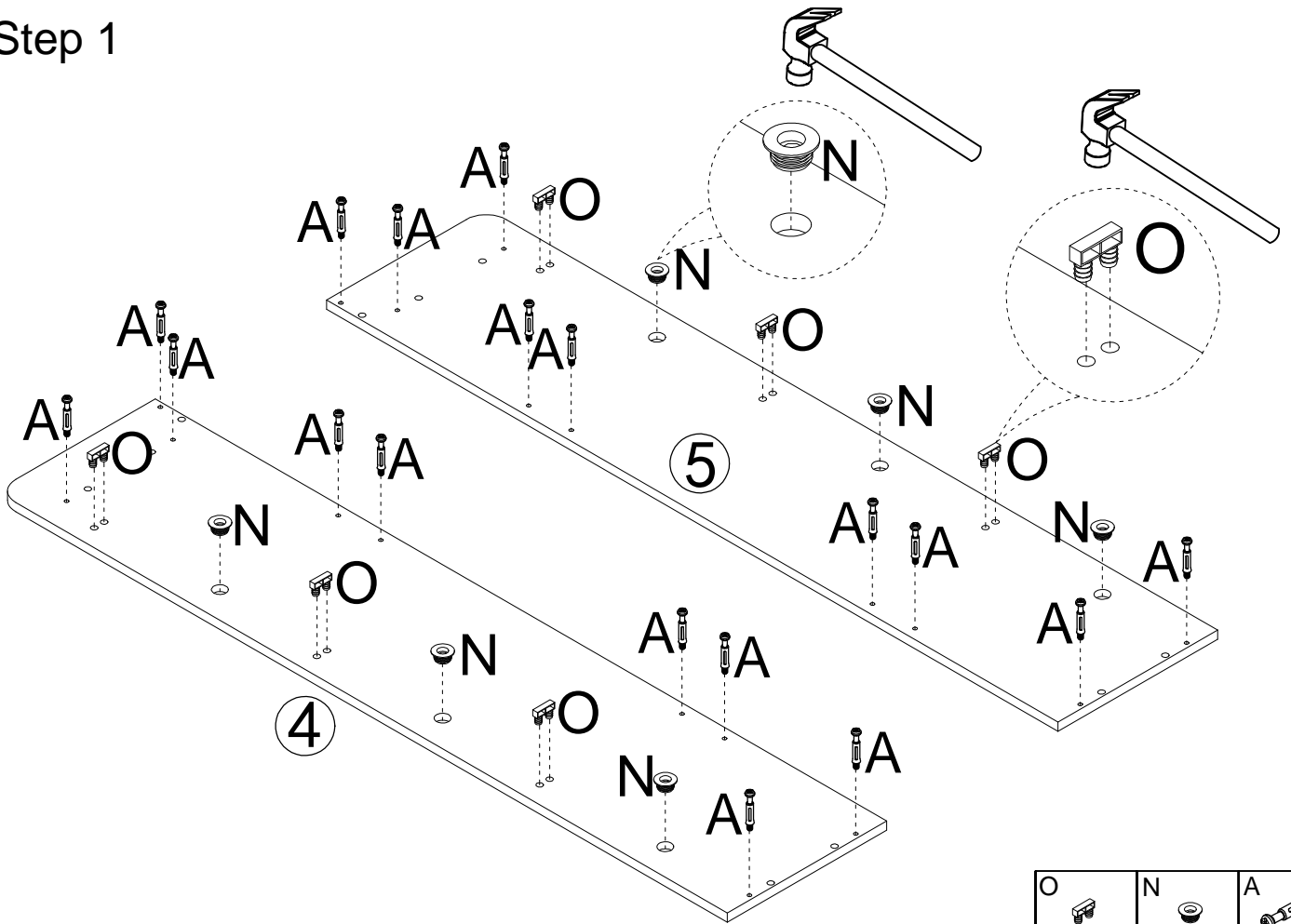


# Assembly Instruction

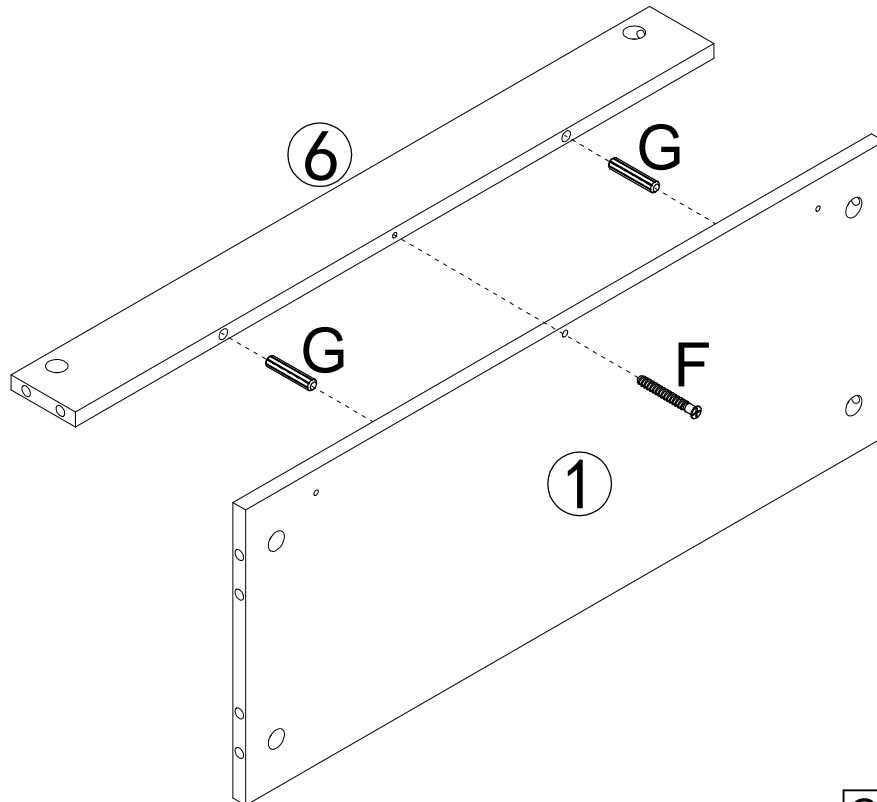
<b>A</b> M6X35  18PCS	<b>B</b> Ø15X9  18PCS	<b>C</b> M6X40  4PCS	<b>D</b> M6X30  8PCS	<b>E</b> M3.5X12  6PCS	<b>F</b> M5X40  1PC	<b>G</b> Ø8X30  12PCS	<b>H</b> M3.5X18  18PCS	<b>I</b> M3.5X14  18PCS	<b>J</b> M4X25  6PCS	
<b>K</b>  3PCS	<b>M</b>  6PCS	<b>N</b>  6PCS	<b>O</b>  6PCS	<b>L</b>  3PCS	<b>R</b>  3PCS	<b>P</b> M4X12  2PCS	<b>Q</b>  2PCS	<b>R</b> M4X35  2PCS	<b>S</b> Ø6x30  2PCS	<b>T</b> 4mm  1PC



# Step 1



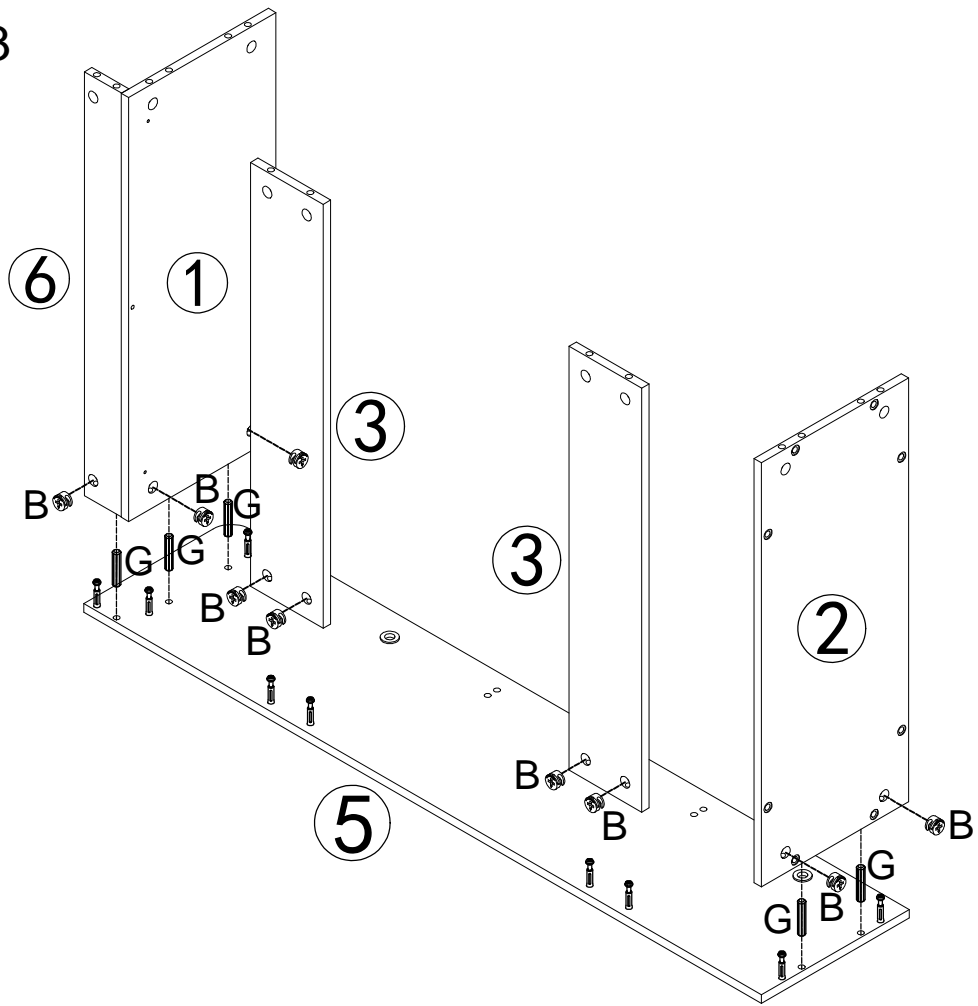
# Step 2





O	N	A
6PCS	6PCS	18PCS

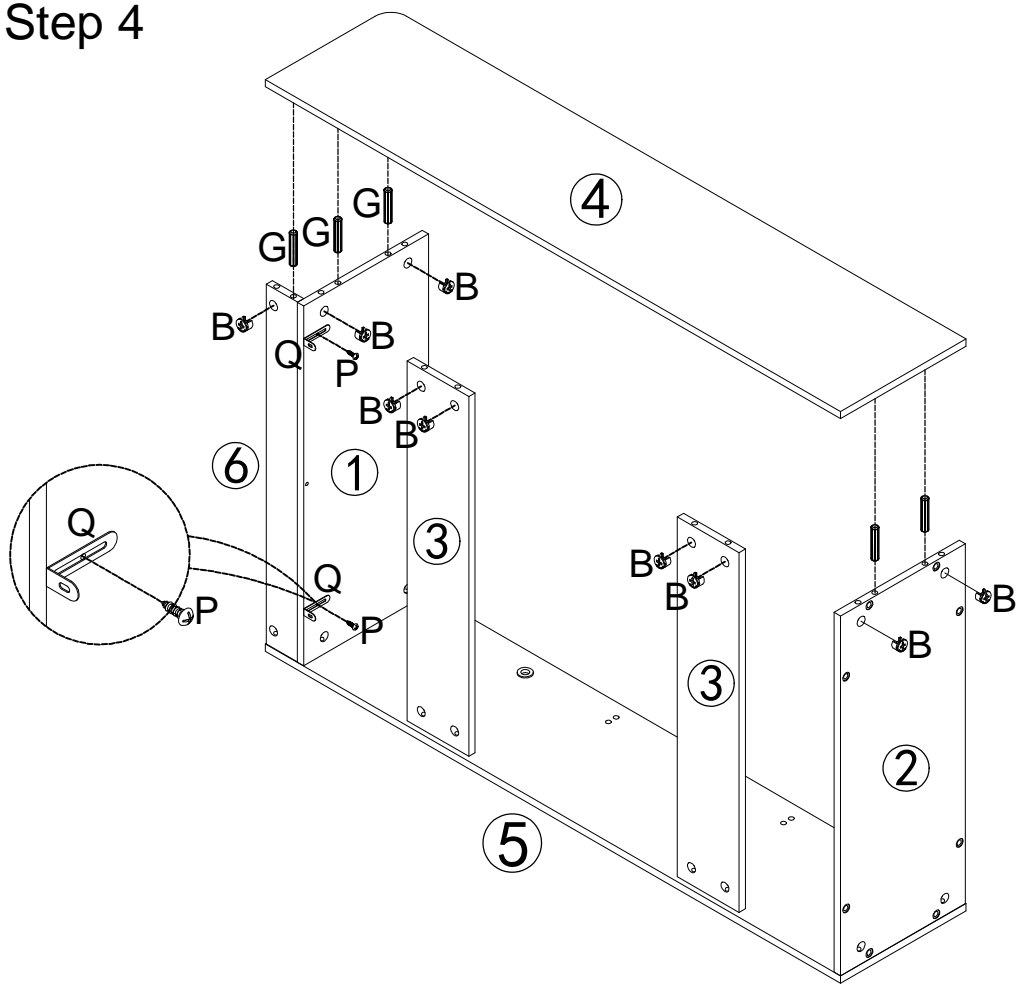
G	F
2PCS	1PC

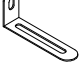



### Step 3



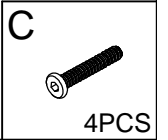
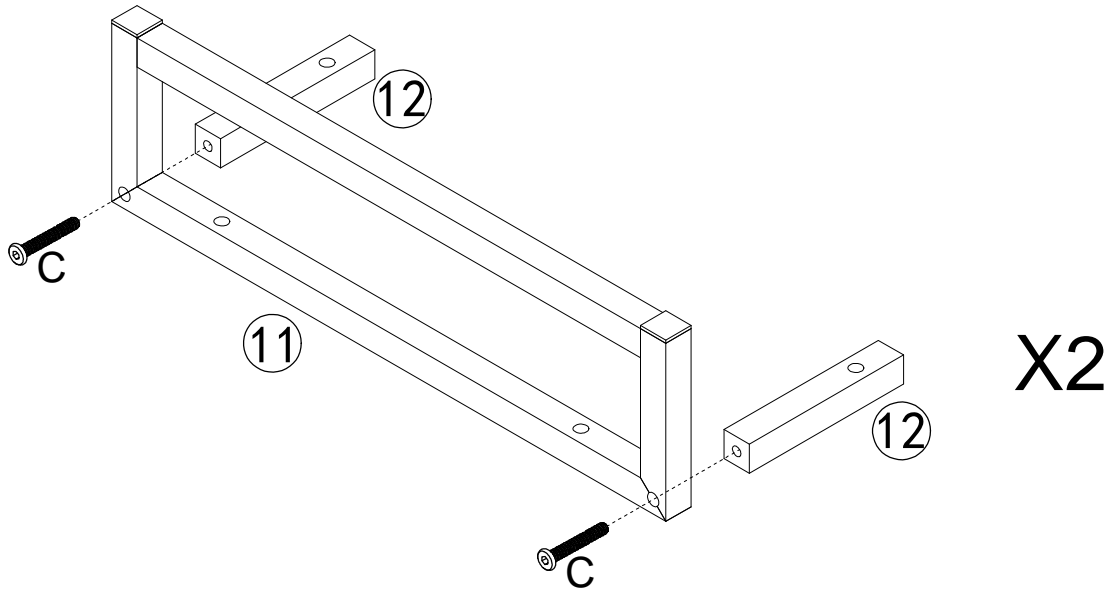
G	B
	
5PCS	9PCS

### Step 4

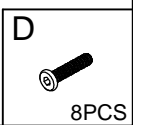
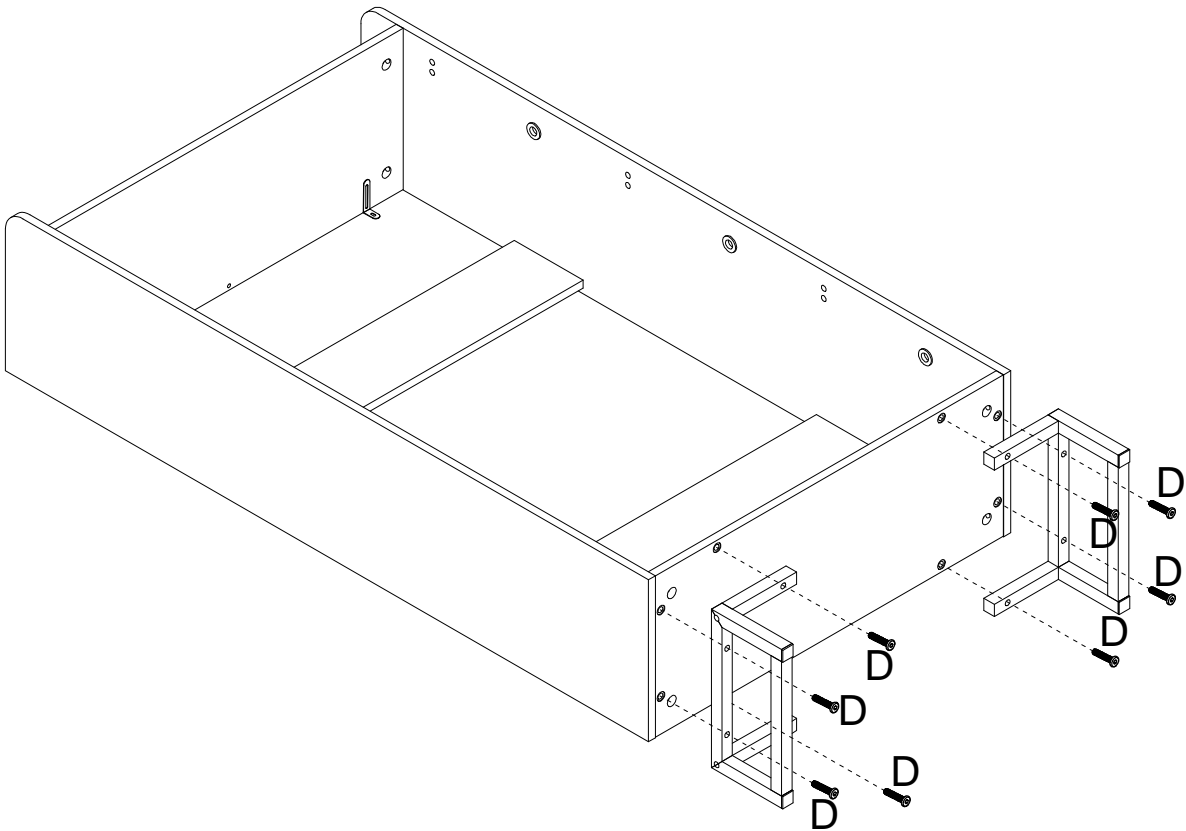


Q	P
	
2PCS	2PCS
G	B
	
5PCS	9PCS

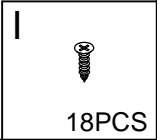
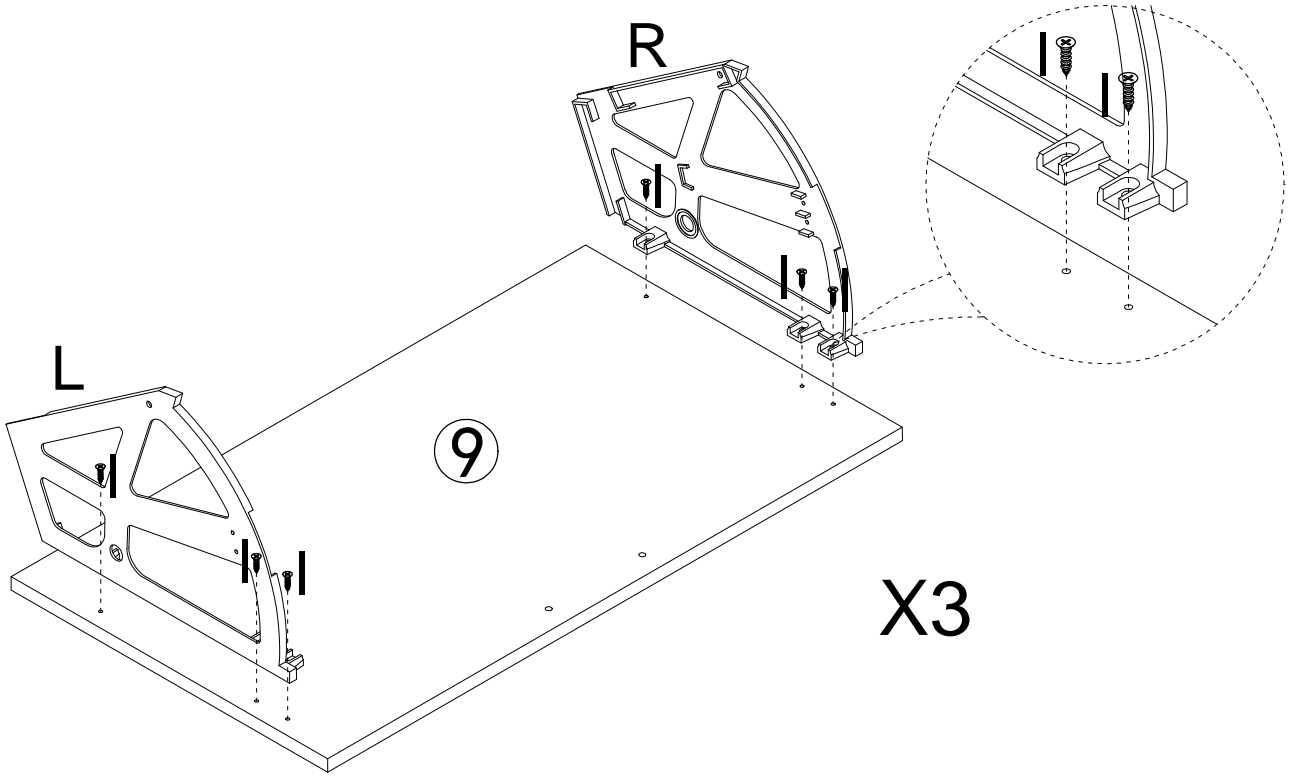
# Step 5



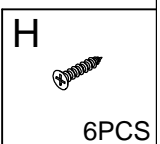
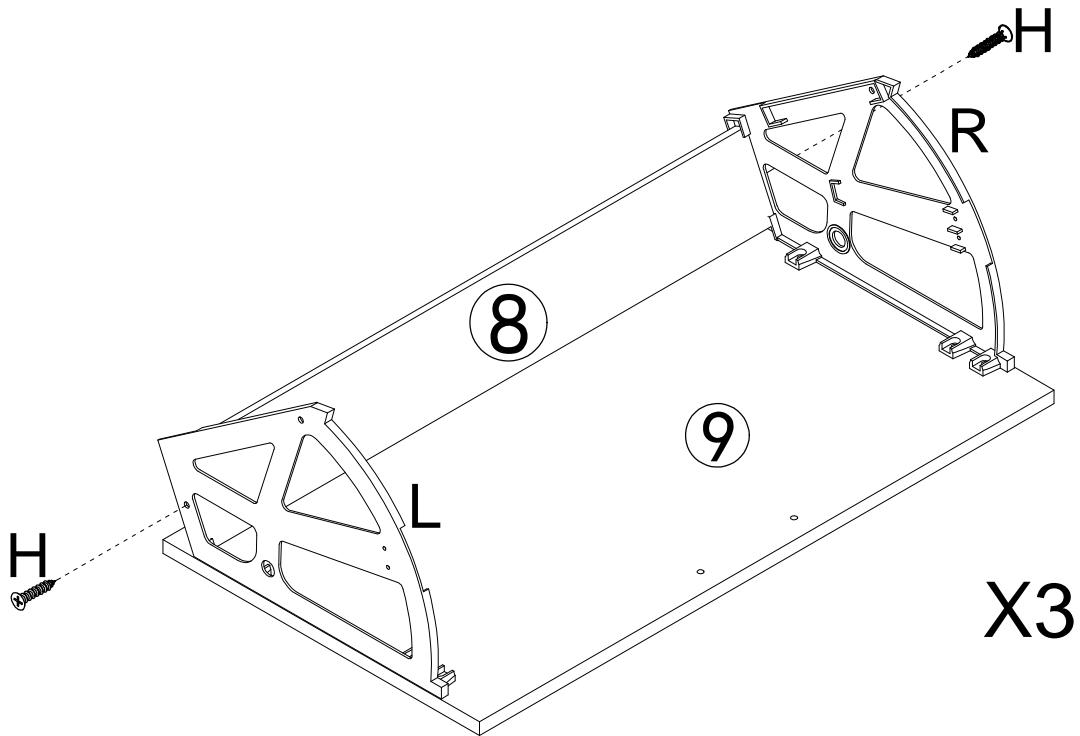
# Step 6



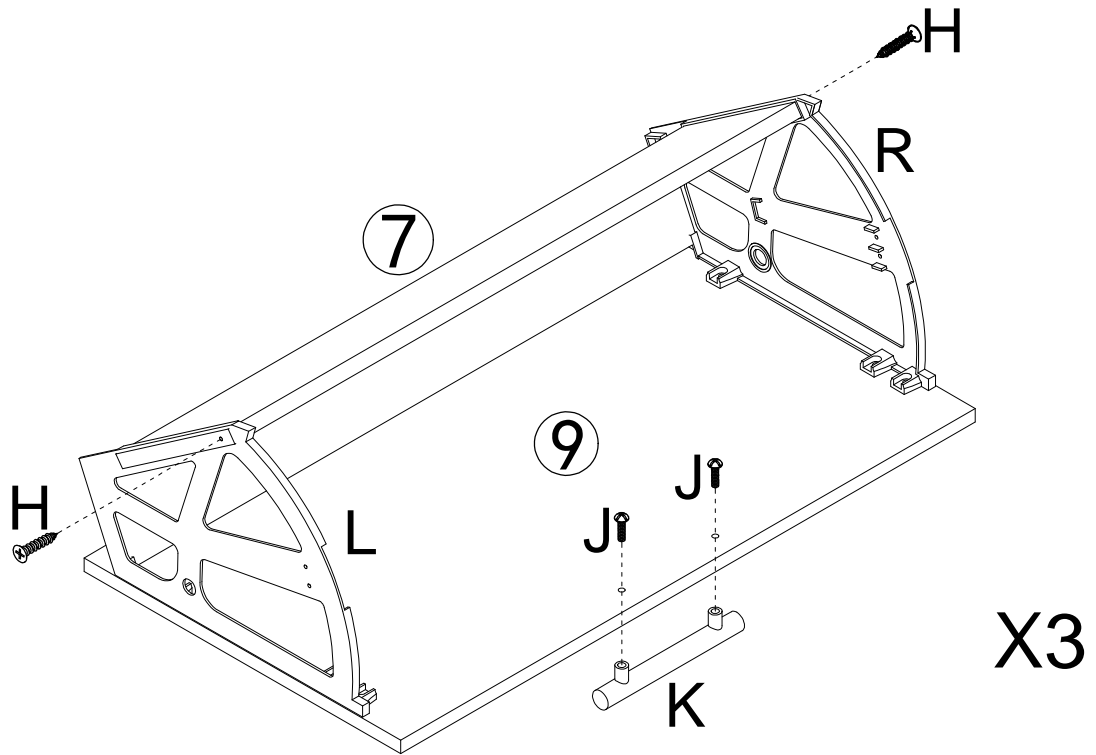
# Step 7


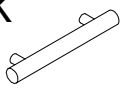



# Step 8

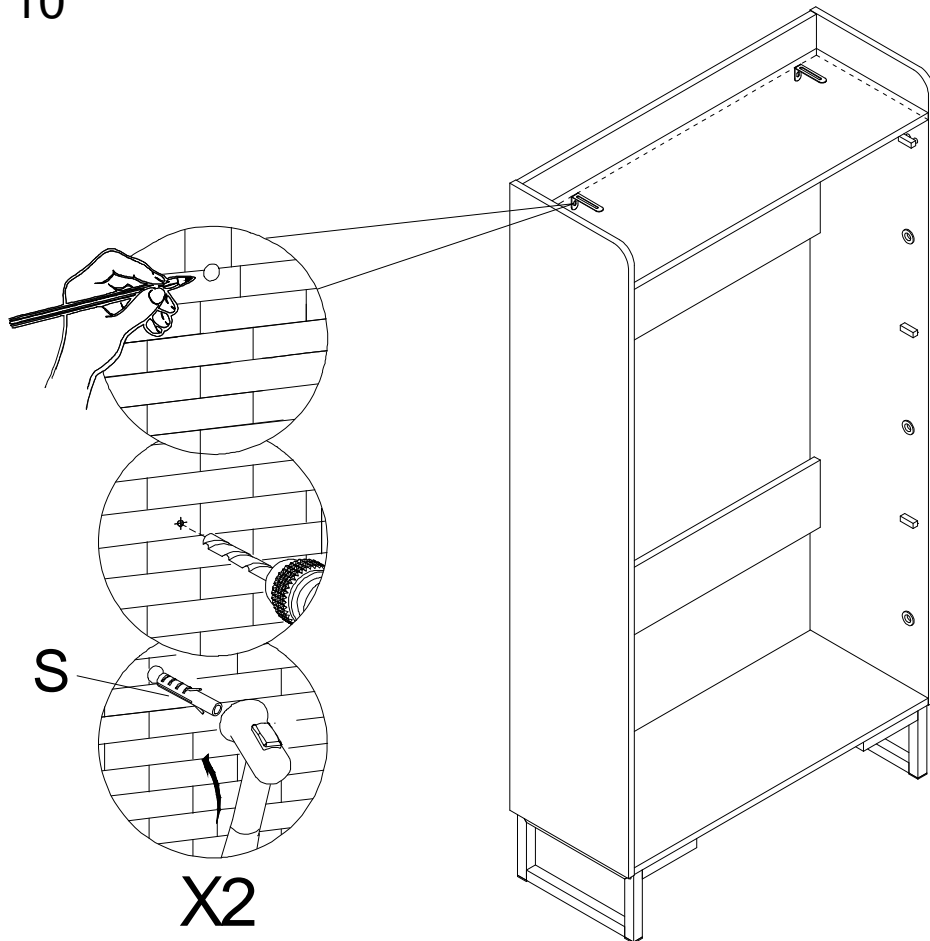



# Step 9



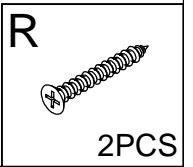
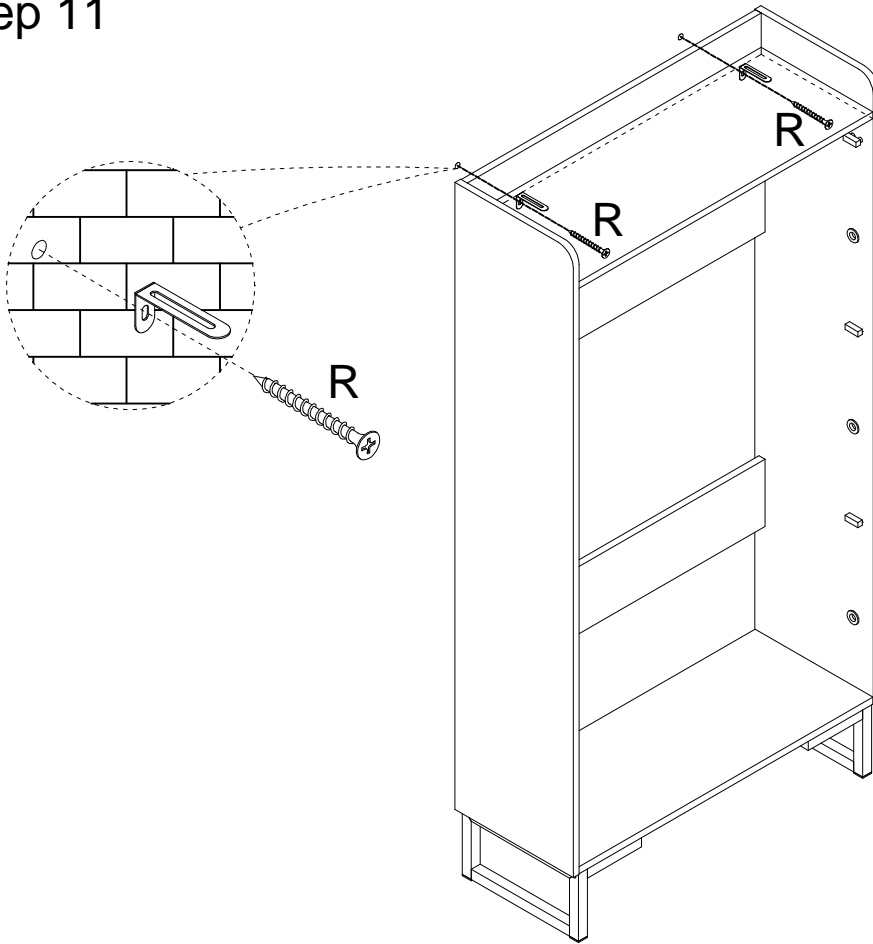
J		K		H	
	6PCS		3PCS		6PCS

# Step 10

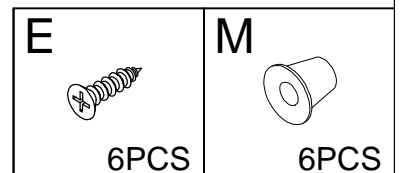
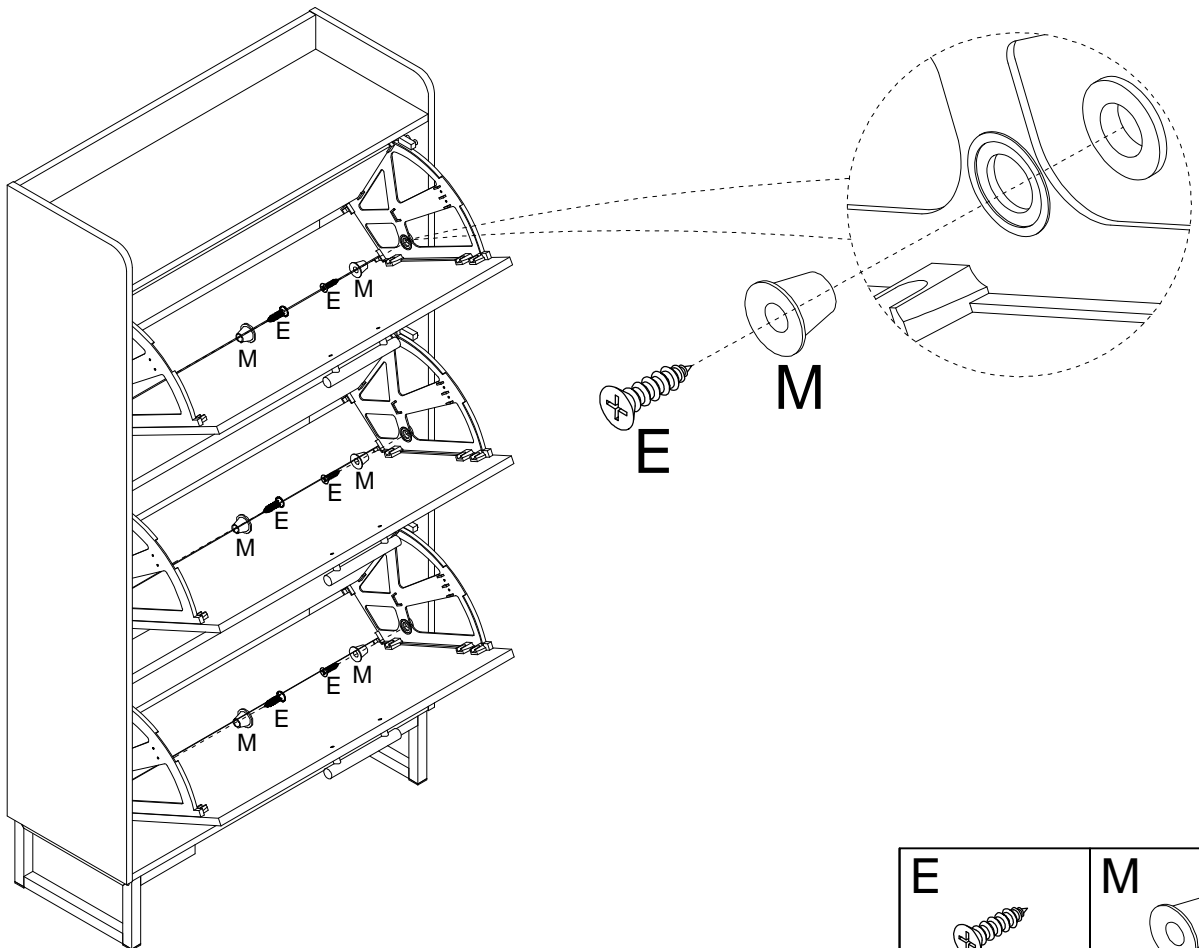


S	
	2PCS

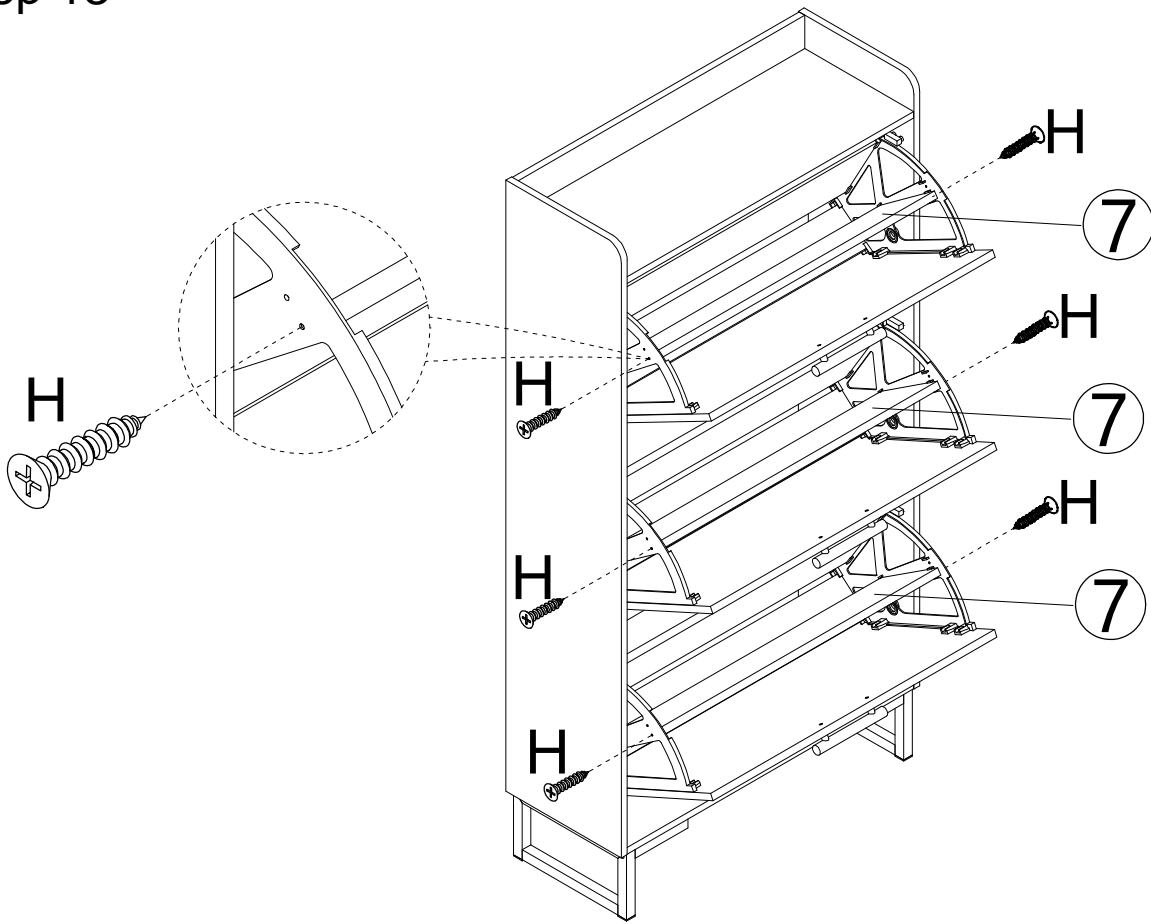
# Step 11



# Step 12



# Step 13



H  
6PCS

# Step 14

