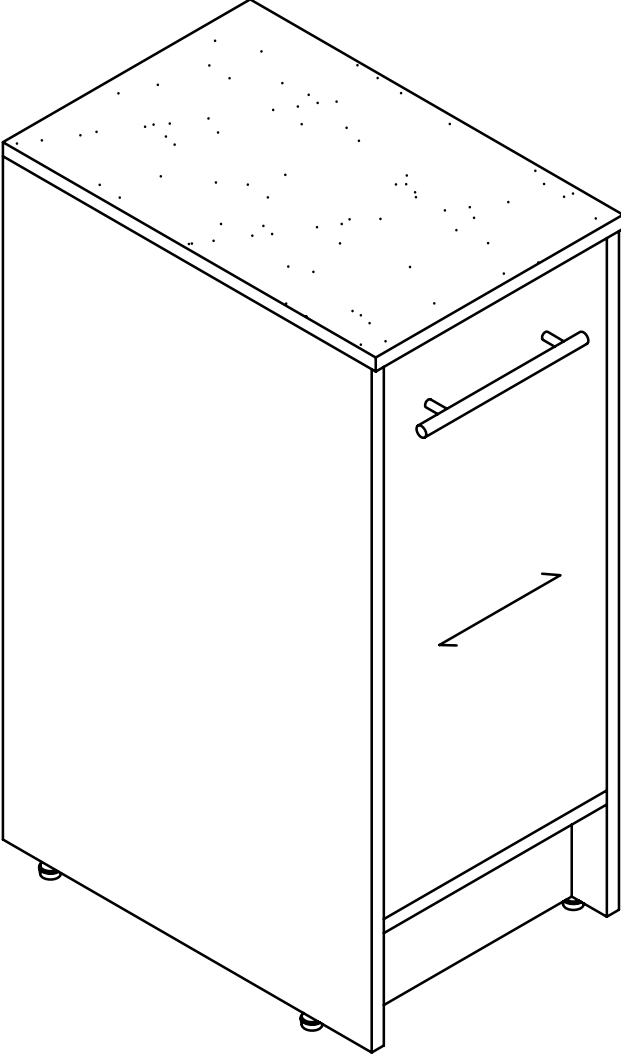
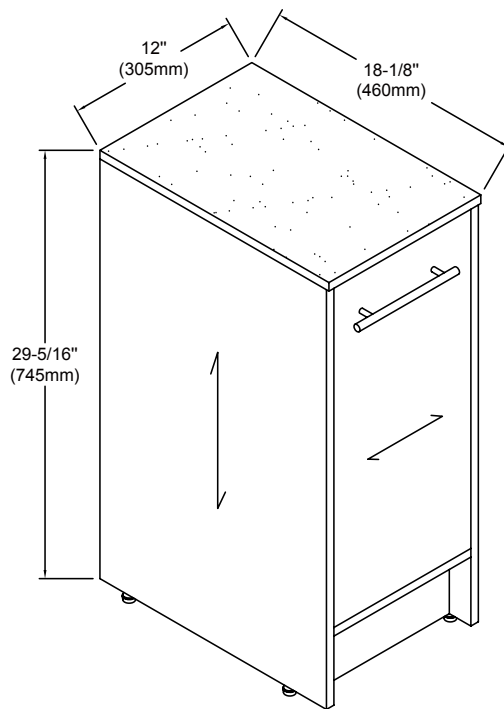
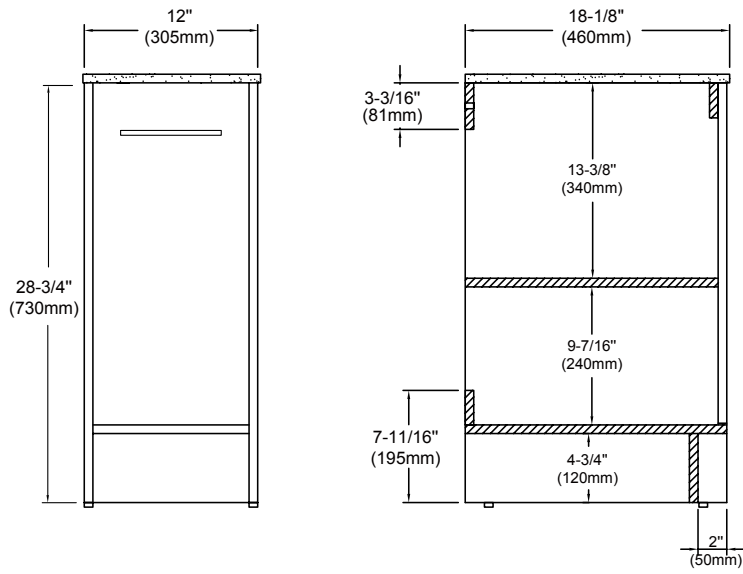

12 Inch Side Cabinet









INSTALLATION GUIDE










12 Inch Side Cabinet

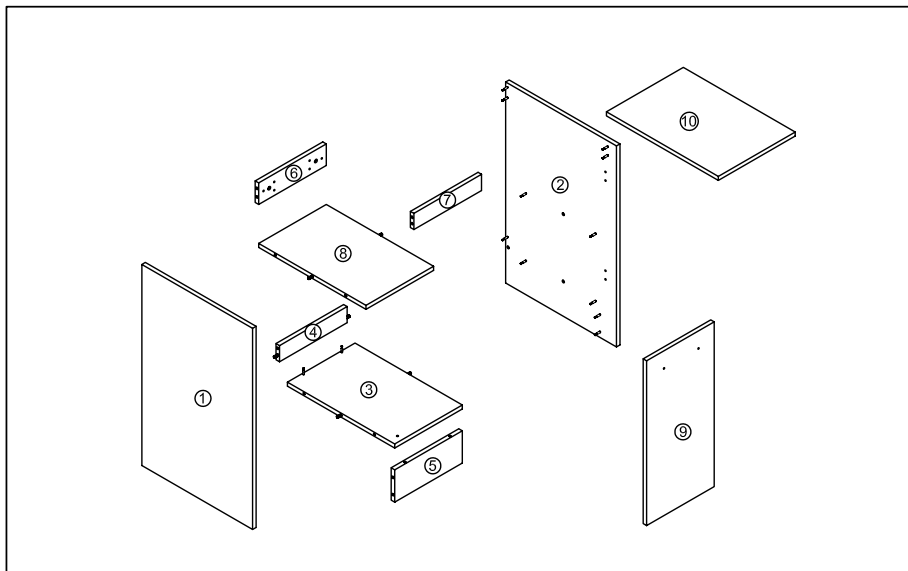


Hardware

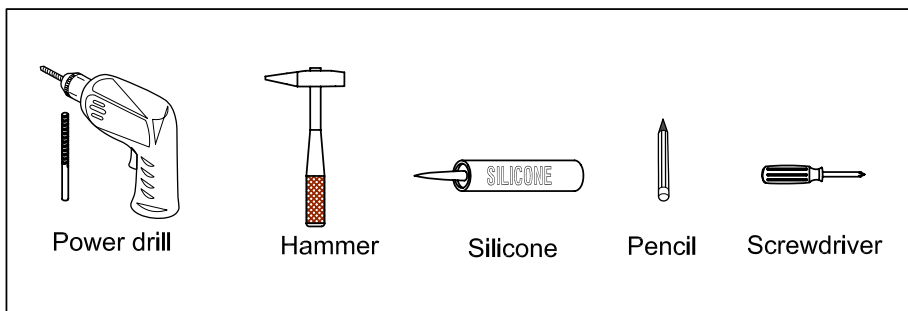
NO.	Draw	QTY
A	 Screws Ø4x14mm	32
B	 Two-in-one connector	26
C	 Two-in-one connector	26
D	 Wood plug	6
E	 Plastic anchor(Ø10mm)	2
F	 Screws for fix on the wall	2
G	 Bracket (53x70x44mm)	2
H	 Bracket (19x19x35mm)	2

NO.	Draw	QTY
I	 Hinges	2
J	 Handles	1
K	 Screws M4x18mm	2
L	 Anti-collision gasket	3
M	 Adjustable feet	4
N	 Door stopper	1
O	 Screwdriver	1

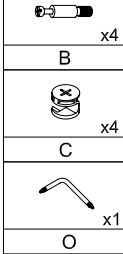
Components


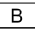

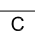




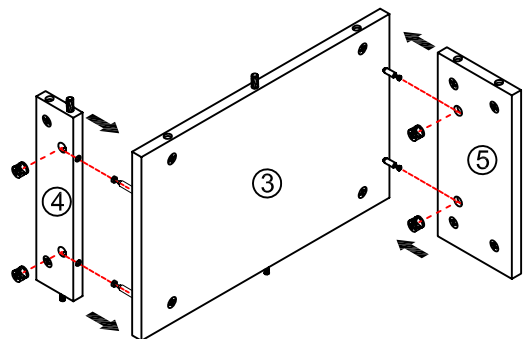
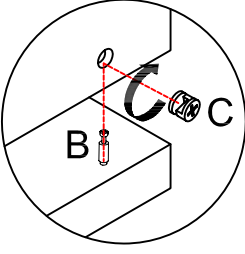
Recommended tools You Will Need-Outils Requis

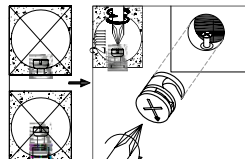


Step 1



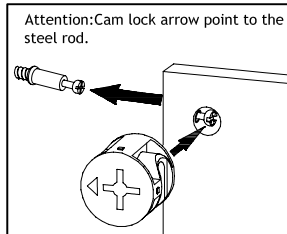
-  x4
-  B
-  x4
-  C
-  x1
-  O

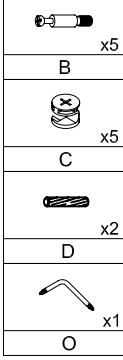



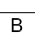

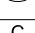
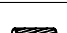

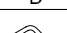

Notes: Screw installation depth as shown

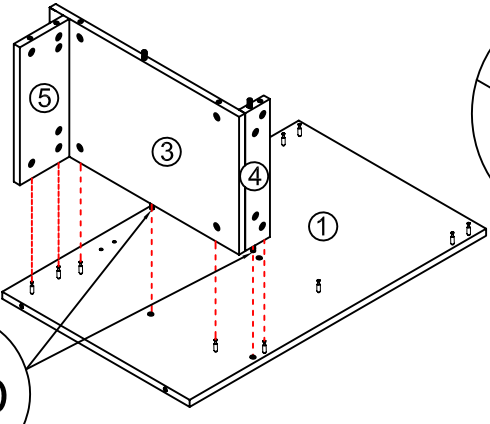
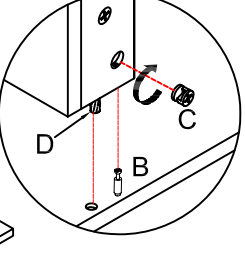
Attention: Cam lock arrow point to the steel rod.

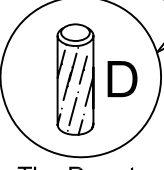


Step 2

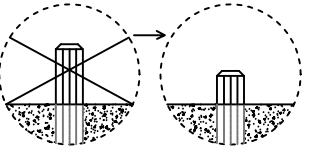


-  x5
-  B
-  x5
-  C
-  x2
-  D
-  x1
-  O

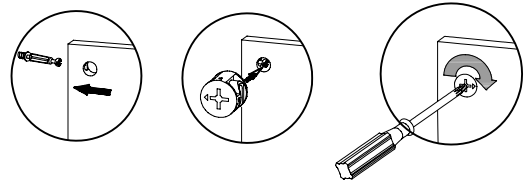





Note: The D parts are used for these two holes



first step
second step
third step



page 4

Step 3

Note: The D parts are used for this hole







	x6
B	
	x6
C	
	x1
D	
	x1
O	

Step 4

Note: The D parts are used for these three holes

	x11
B	
	x11
C	
	x3
D	
	x1
O	

page 5

<p>Step 5</p>		 x2 G (∅4 x 14mm)  x12 A  Tool
<p>Step 6</p>		 x2 H (∅4 x 14mm)  x8 A  Tool

Step 7

	x2
I	(∅4 x 14mm)
	x12
A	
	x1
N	
	Tool

You can adjust the doors by tightening or loosening the screws on the hinge. →

Step 8

	x1
J	
	x2
K	
	x2
L	
	x4
M	
	Tool

page 7

