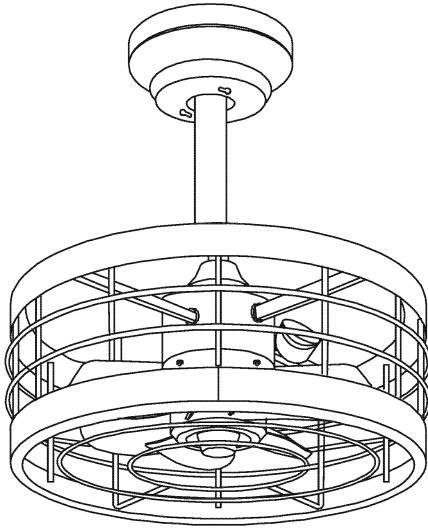


16.5-Inch Ceiling Fan User Manual



Warm Tips

- 1. Insert the downrod ball head into the groove of the mounting bracket. (Figure 1)

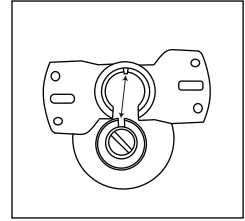
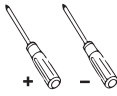


Figure 1

Tools May Required



Ladder



Screwdriver



Wire Strippers



Tape



Goggles



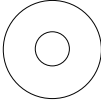
WARNING!!!



- To avoid fire, shock and serious personal injury, follow these instructions.

1. Read your user's manual and safety information before installing your new fan. Review the accompanying assembly diagrams.
2. Before servicing or cleaning the unit, switch off the power at the service panel and lock the service panel to prevent power from being switched on accidentally. If the service disconnecting means cannot be locked, securely fasten a warning device, such as a tag, to the service panel.
3. Be cautious around the fan and blades when clearing, repairing, or working near the fan. Always turn off the power to the ceiling fan before performing any servicing.
4. Do not insert anything into the fan blades while the fan is operating.
5. This appliance is not intended for use by young children or individuals with disabilities without supervision. Young children should be supervised to ensure they do not play with the appliance.
6. Before installing your ceiling fan, refer to the section on the proper method of wiring your fan. If you feel that you do not have enough wiring knowledge or experience, it is recommended to have your fan installed by a licensed electrician.

Accessories

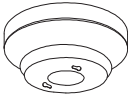


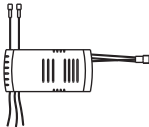
- Check to see that you have received the following parts:


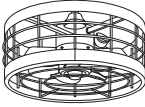

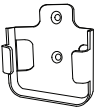
<p>3</p>  <p>Wire nut</p>	<p>2</p>  <p>J-box screw</p>	<p>2</p>  <p>Washers</p>
--	---	---

<p>4</p>  <p>Plastic expansion tube</p>	<p>4</p>  <p>Self-tapping screw</p>
--	--

Package Contents

- Check to see that you have received the following parts

<p>1</p>  <p>Canopy Cover</p>	<p>2</p>  <p>Downrod</p>	<p>1</p>  <p>Coupling Cover</p>	<p>1</p>  <p>Receiver</p>
---	--	--	--

<p>1</p>  <p>Mounting Bracket</p>	<p>2</p>  <p>Lamp Body</p>	<p>1</p>  <p>Remote Controller</p>	<p>1</p>  <p>Remote Controller Wall Plate</p>
--	---	---	--

Energy Saving Usage

- Ceiling fan performance and energy savings rely heavily on the proper installation and use of the ceiling fan. Here are a few tips to ensure efficient product performance.

Choosing the Appropriate Mounting Location

Ceiling fans should be installed or mounted in the middle of the room and positioned at least 7 feet above the floor and 18 inches away from the walls. If the ceiling height allows, it is recommended to install the fan 7~9 feet above the floor to achieve optimal airflow.

Turn Off When Not in the Room

If the room is unoccupied, turn off the ceiling fan to save energy.

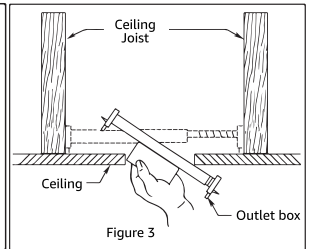
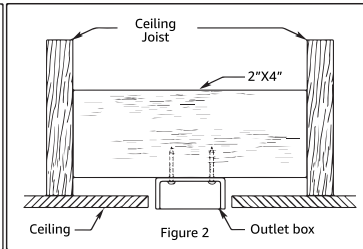
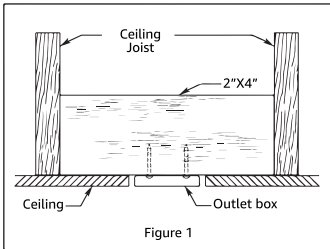
Using the Ceiling Fan Year Round

Summer Season: Use the ceiling fan in the counterclockwise direction. The airflow created by the ceiling fan produces a wind-chill effect, making you feel cooler. Select a fan speed that provides a comfortable breeze; lower speeds consume less energy.

Winter Season: Reverse the motor and operate the ceiling fan at a low speed in the clockwise direction. This produces a gentle updraft, which pushes the warm air near the ceiling down into the occupied space. Remember to adjust your thermostat when using your ceiling fan. This simple step can lead to additional energy and cost savings.

Electrical and Structural Requirements

- Your new ceiling fan will require a grounded electrical supply line of AC 110-130V/60Hz and a 15 Amp circuit. According to electrical codes, it is necessary to use a fan-rated outlet box to support the additional weight and motion associated with a ceiling fan. A fan-rated box will be clearly labeled as such and is typically designed to support ceiling fans weighing up to 70 pounds. Fan-rated outlet boxes are available in various ratings and designs. It is essential to ensure that the rating of your ceiling fan outlet box meets the requirements for the specific ceiling fan you are installing. Please refer to the figures below for different structural configurations that can be used for mounting the outlet box.
- Low-profile use (Figure 1):
A 1/2"-deep pancake box is meant to be screwed to a joist or block. It is used if only one cable is coming into the box. It is also available in a saddle-mount configuration.
- Deep-profile use (Figure 2)
A 2-1/4" deep box can be attached to blocking between joists and is roomy enough to handle more than one cable.
- Brace use (Figure 3)
Paired with a deep box, this hanger is meant to span between two joists and takes the place of wooden blocking.



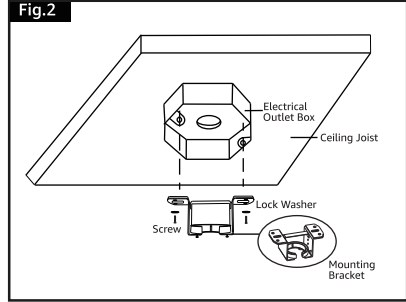
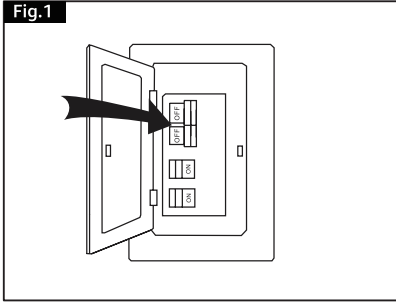
⚠ WARNING

To ensure safety and prevent potential electrical shock, it is not sufficient to simply turn off the wall switch. Prior to wiring, make sure to turn off the electricity at the main fuse box. All wiring should be done in accordance with national and local electrical codes. Additionally, it is important to properly ground the ceiling fan as a precautionary measure against possible electrical shock. Following these guidelines will help ensure the safe installation and operation of your ceiling fan.

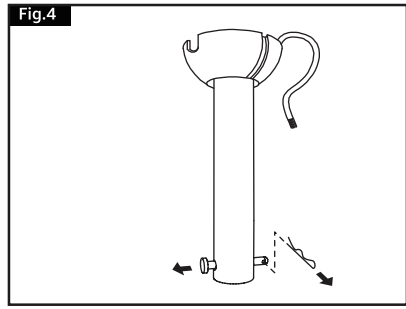
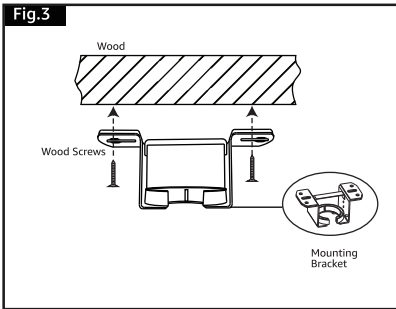
⚠ WARNING

Do not use a variable (rheostat) wall controller or dimmer switch to operate this fan. Doing so can cause damage to the ceiling fan's remote control unit. It is recommended to only use the provided remote control.

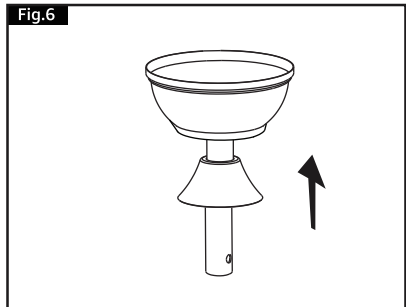
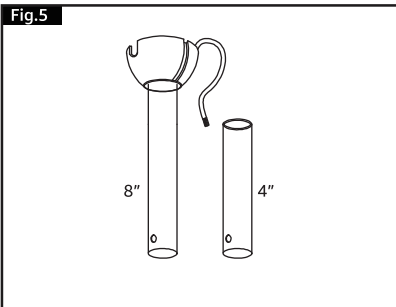
Installation



- Turn off the electric circuit at the main fuse or circuit breaker box.
- The mounting bracket must be securely fastened to a structural ceiling member.

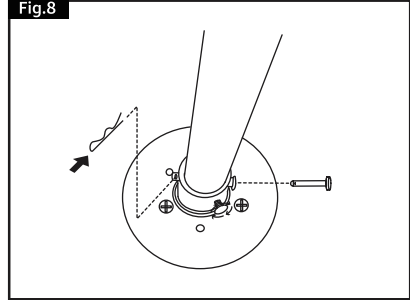
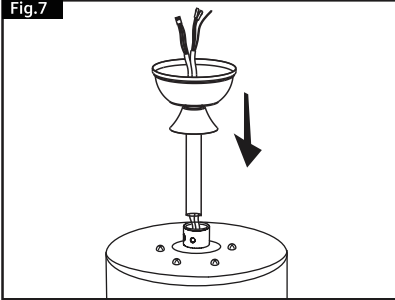


- Use wood screws to fix the bracket for a wooden or false ceiling.
- Take out the downrod pin from the 8" downrod assembly.

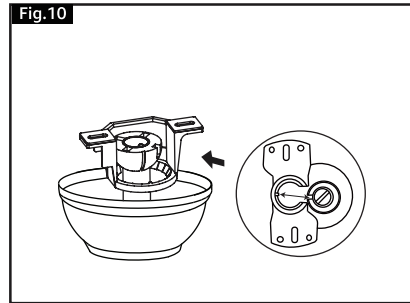
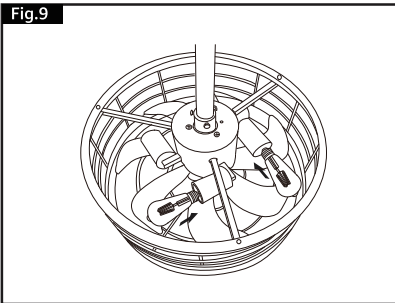


- Choose a downrod for the suspended installation. The default assembled downrod length is 8 inches. If you are using a 4-inch downrod, remove the ball head from the 8-inch downrod and install it onto the 4-inch downrod.
- Mount the canopy cover and coupling cover onto the downrod.

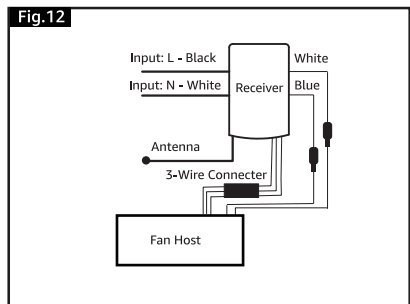
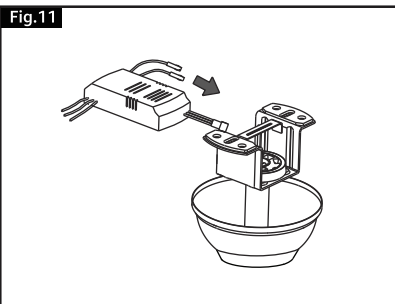
Installation



- Assemble the canopy and coupling cover as shown in the figure, thread the light fixture wire through the downrod.
- Insert the downrod pin into the side hole of yoke, lock it with the downrod clip, and then tighten the two side screws.

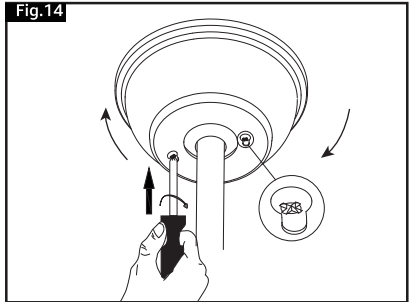
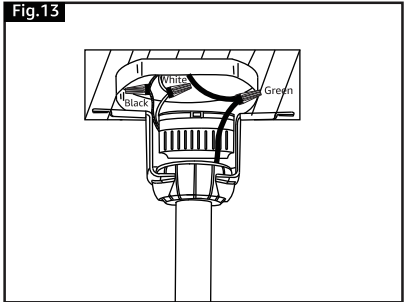


- Screw the light bulb by rotating it clockwise.
- Lift the assembled fan body onto the mounting bracket, ensure the concave groove of the hanger ball is positioned on the hanger lug of the mounting bracket.

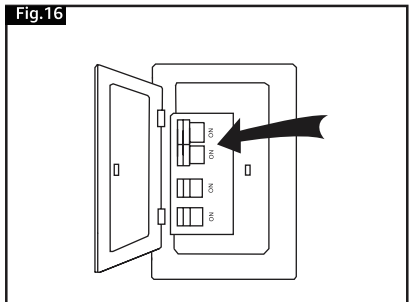
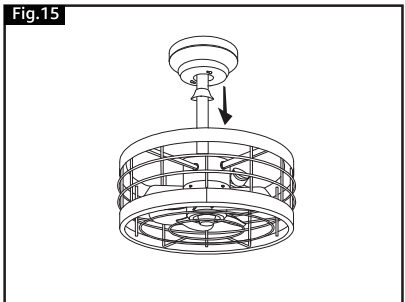


- Insert the receiver into the mounting bracket.
- Connect the wires between the controller and the fan motor: white to white wire, blue to blue wire, and connect the 3-pin wire connector.

Installation



- **Wiring:**
Connect the "Neutral wire" (white wire) from ceiling to the white wire.
Connect the "Live wire" (black wire) from ceiling to the black wire.
Connect the "Ground wire" (green or yellow/green or bare) from ceiling to the green wire.
- Push the canopy cover upward, align it with the two screws from step one. Rotate and tighten the screws to secure the canopy cover.



- Move the coupling cover downward.
- Finish installation. Turn on the electric power at the main fuse or circuit breaker box.

Operate Your Ceiling Fan

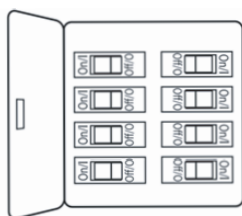
- **IMPORTANT:** Using a full range dimmer switch to control fan speed will damage the fan. To reduce the risk of fire or electrical shock, do not use a full range dimmer switch to control the fan speed. (Figure 1).

Only control light on/off via wall fan switch.

- Restore electrical power to the outlet box by turning the electricity on at the main fuse box.(Figure 2).



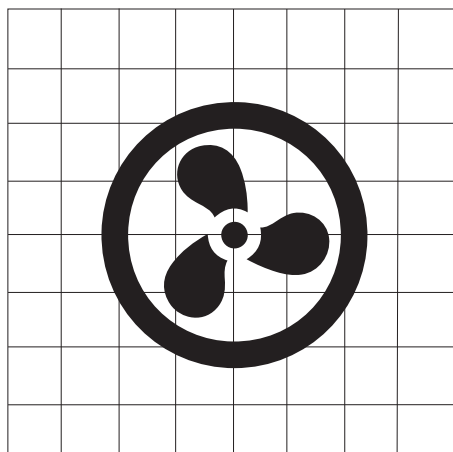
(Figure 1)



(Figure 2)





Installation Recommended

Room Size:

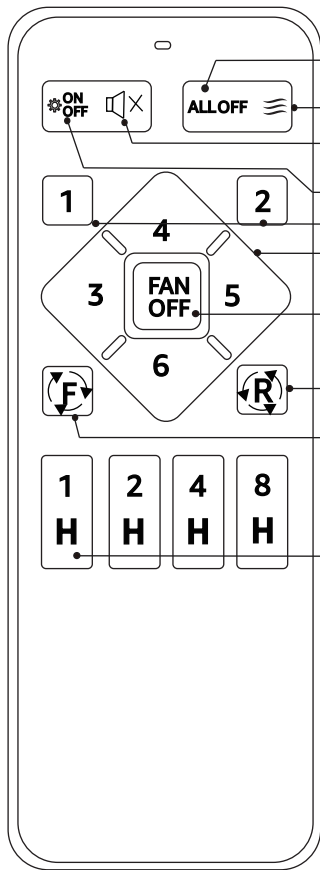


UP TO 9 ft x 9 ft

Room Height:

Installation Height	7FT	8FT
	 4" Downrod	 4" Downrod
	9FT	10FT
	 8" Downrod	 8" Downrod

Remote Control



Light & fan all off

Natural wind

Remote controller mute

Light on/off

Fan speed

Fan speed

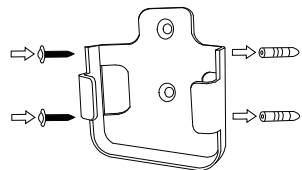
Fan off (Long-press within 5s after wall switch on to pair)

Reverse

Forward

Fan stop & light off after 1,2,4,8 hours.


Attach wall plate using the two screws provided.



To operate the fan, please install 2 AAA batteries (included) in the handheld remote transmitter. If not used for extended periods of time, remove the batteries to prevent damage to the transmitter. Store the remote away from excessive temperatures and humidity.

Pairing method: (single/multiple fans)

The remote control transmitter can be used to control multiple receivers.

1. For the ceiling fan you want to pair, turn the main power switch off for at least 30 seconds.
2. Turn on the main power switch of the ceiling fan, then immediately press and hold  button for 5 seconds until hear a beep.
3. Wait for the receiver to emit a beep sound, then release the button, and the pairing process is complete. If the pairing process is unsuccessful, repeat steps 1 through 3 after turning off wall switch 1 minute.



PROBLEM	SUGGESTED REMEDY
<p>If Fan Does Not Start</p>	<ol style="list-style-type: none"> 1. Check the main and branch circuit fuses or circuit breakers. 2. Ensure that the wall control is turned "ON", do not use dimmer switch. 3. Check the line wire connections to the fan and switch wire connections in the switch housing. <p>CAUTION: Make sure to turn off the main power before making any electrical connections.</p>
<p>If The Fan Sounds Noisy</p>	<ol style="list-style-type: none"> 1. Make sure all screws in the motor housing are snug (not over tightened). 2. Check that wire connectors in the switch housing are not rattling against each other or the interior wall of the switch housing. CAUTION: Turn off the main power before entering the switch housing. 3. Ensure that the screws securing are tight. Make sure the light bulb is tight in the socket and not touching the lamp frame or blades. 4. Note that some fan motors are sensitive to signals from Solid State variable speed controls. DO NOT USE a Solid State variable speed control. 5. Allow a "break-in" period of 24 hours. Most noises associated with a new fan will disappear after this period.
<p>If Fan Wobbles</p>	<ol style="list-style-type: none"> 1. Check that all blades are screwed firmly into blade holders. 2. Make sure that the canopy and mounting plate are tightened securely to the ceiling junction box, and the junction box is mounted firmly to the ceiling joist. 3. Ensure the concave groove of the hanger ball is positioned on the hanger lug of the mounting bracket.
<p>If Light Does Not Work</p>	<ol style="list-style-type: none"> 1. Check the black wiring of motor to receiver, and receiver to AC input. 2. Check for loose or disconnected wires in the fan switch housing. 3. Check for loose for light bulbs. 4. Check for faulty light bulbs, make sure the light bulb is AC120V and E26 medium base. <p>CAUTION: Make sure the main circuit is turned off before entering the switch housing.</p>
<p>Remote Does Not Work</p>	<ol style="list-style-type: none"> 1. Battery out of power or not installed correctly; change new AAA battery and ensure well installed. 2. Remote controller not paired, make new pairing with light. (Page.9)

Customer Service :

30-Days Full Refund Guarantee

If you are not completely satisfied or the item isn't what you expected, just tell us within 30 days. We will give you a full refund unconditionally.

Friendly Reminder

It's better to contact us than leaving a negative shopping experience. Nothing is more important than your satisfaction, and we will do our best to serve you.

Quick Response within 12 Hours

You can contact us without any hesitation at any time of the day, and we will reply to you within 12 hours. (It would be appreciated if you could provide us with a video or pictures, if available)

2-year Warranty

We will send you brand new items for free or give you a full refund if any quality problems occur within 2 years from the date of purchase.

Replace The Downrod :

