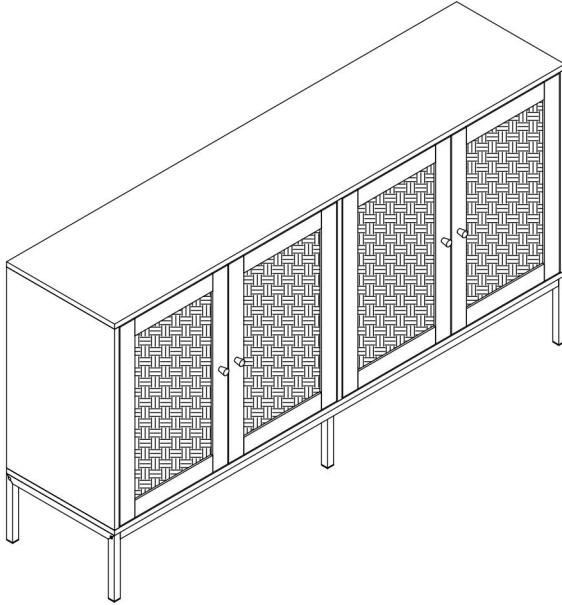


**RATTAN ACCENT CABINET  
USER MANUAL**

## Rattan Accent Cabinet



 **WARNING:**

**Please read this manual carefully before using the product. Failure to do so may result in serious injury.**

## **ASSEMBLY PRECAUTIONS**

1. Assemble only according to these instructions. Improper assembly can create hazards.
2. Wear ANSI-approved safety goggles and heavy-duty work gloves during assembly.
3. Keep the assembly area clean and well-lit.
4. Keep bystanders out of the area during assembly.
5. Do not assemble when tired or when under the influence of alcohol, drugs or medication.
6. The product capabilities apply to properly and completely assembled products only.
7. Assemble on a flat, level, hard and smooth surface capable of safely supporting the Rattan Accent Cabinet.
8. For additional information regarding the parts listed in the following pages, please refer to the Assembly Diagram of this manual. Unwrap and separate all parts in a clean work area.

**SAVE THESE INSTRUCTIONS**

# USE PRECAUTIONS

## TO PREVENT SERIOUS INJURY AND DEATH FROM TIPPING:

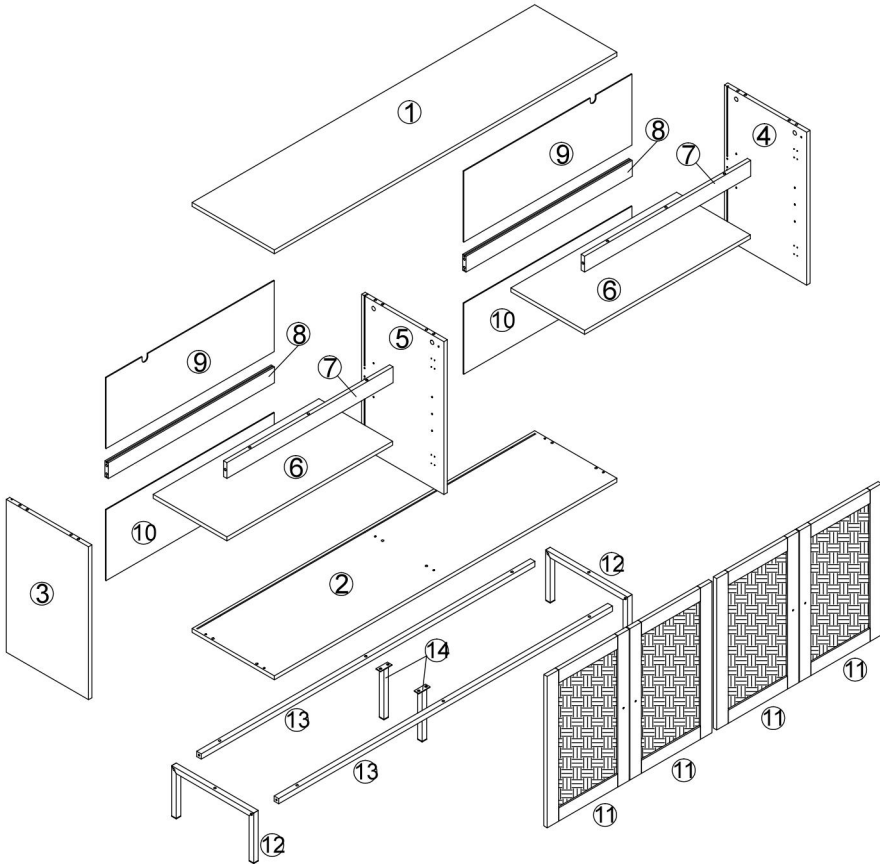
1. This product is not a toy Do not allow children to play with or near this item.
2. Do not exceed weight capacities, before moving.
3. Use only on a flat, hard and smooth surface capable of safely supporting a fully loaded Rattan Accent Cabinet.
4. Use as intended only.  
Inspect before every use; do not use if parts are loose or damaged.



















## TECHNICAL SPECIFICATIONS

Model	HYBG-SMBTG-011
Product Dimensions (LxWxH)(mm)	1500*360*800
Net Weight(kg)	About 35.3

\*Products such as specifications, appearance, and design are subject to modification without prior notice.

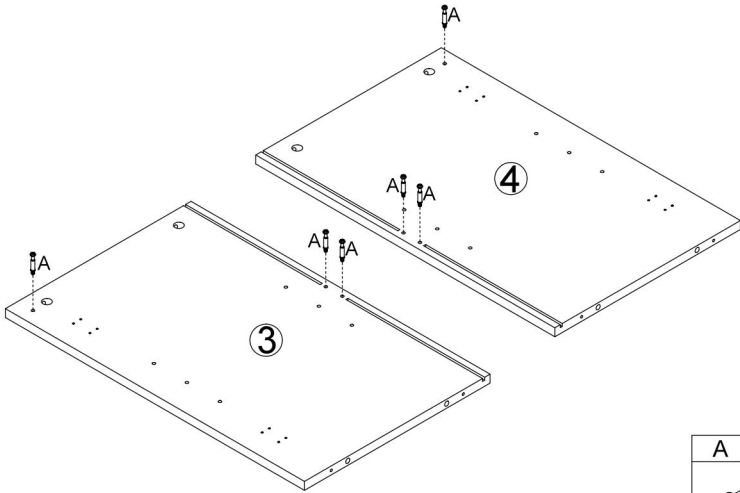
# PACKAGE CONTENTS




<b>A</b>	X24	<b>B</b>	X24	<b>C</b>	X2	<b>D</b>	X8	<b>E</b>	X12	<b>F</b>	X6	<b>G</b>	X4
													
M6x35mm		Ø15x12mm		M4x35mm		M6x25mm		Ø8x30mm		M7x40mm			
<b>H</b>	X4	<b>I</b>	X52	<b>J</b>	X1	<b>K</b>	X8	<b>L</b>	X8	<b>M</b>	X8	<b>N</b>	X2
													
M4x18mm		M3.5x14mm		4mm		Ø5x20mm				M3x16mm		Ø6x30mm	
<b>O</b>	X2	<b>P</b>	X2	<b>Q</b>	X8	<b>R</b>	X4						
													
		M4x14mm				M6x40mm							

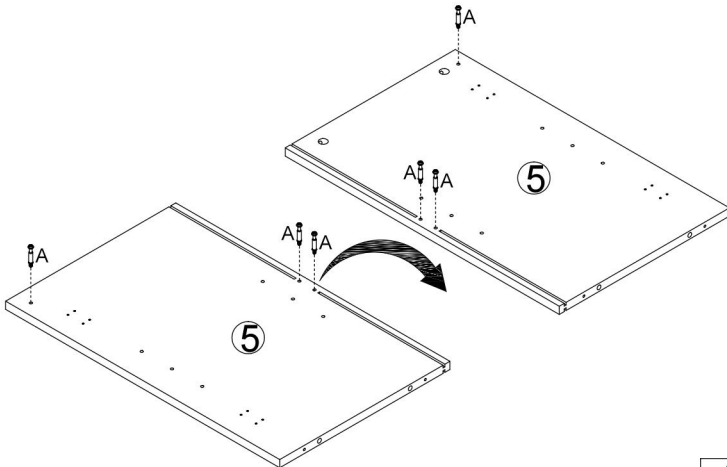
# ASSEMBLY STEPS


## Step1



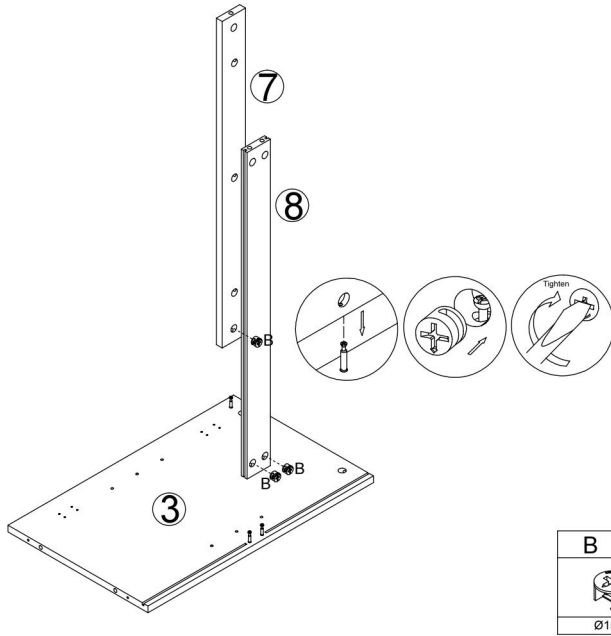
A	X6
	
M6x35mm	

## Step2

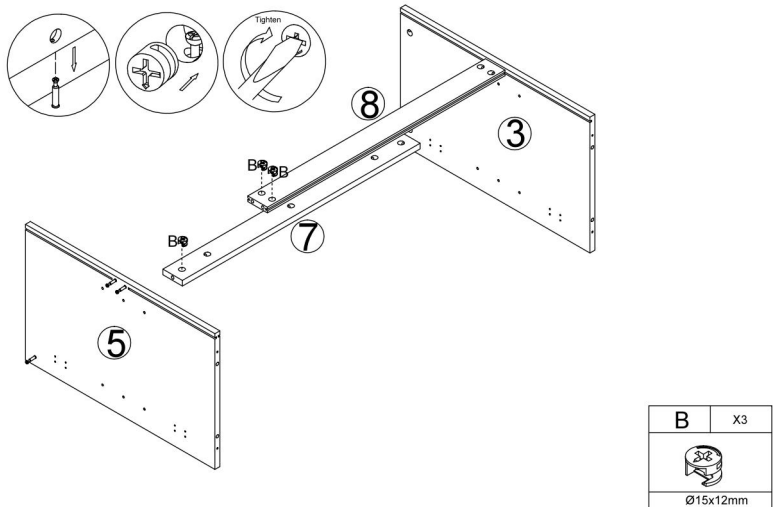


A	X6
	
M6x35mm	

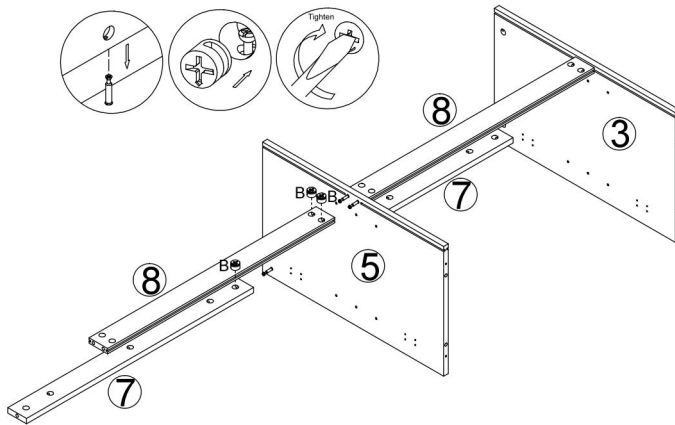
# Step3




# Step4

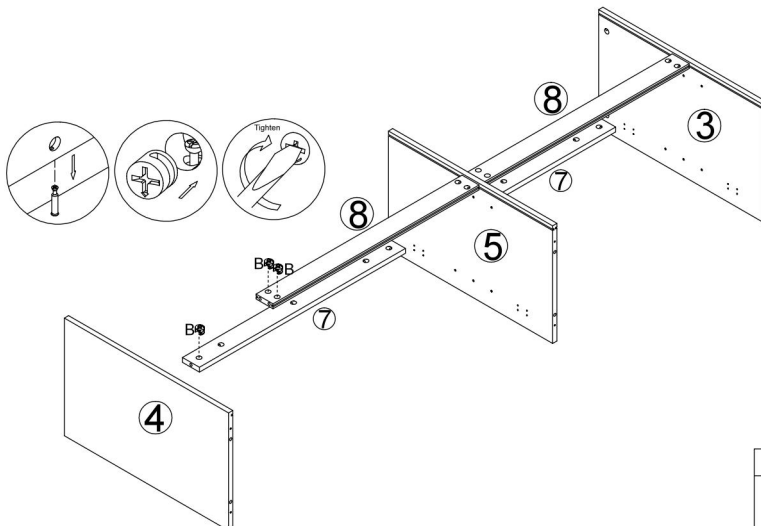



# Step5



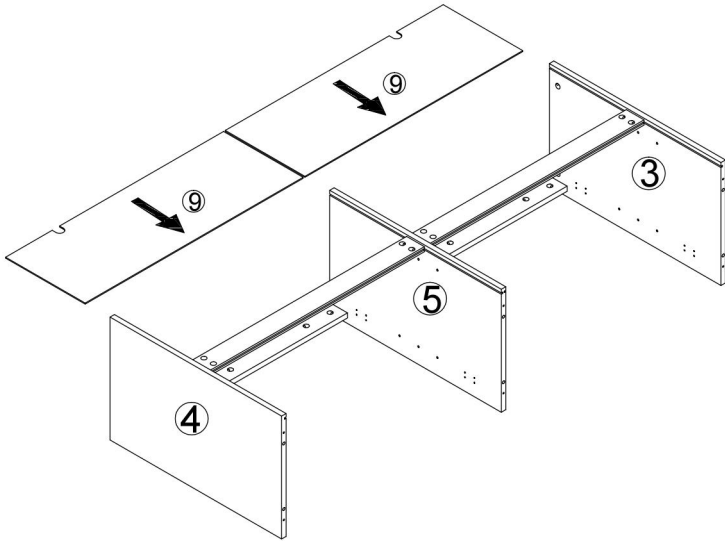
B	X3
	
Ø15x12mm	

# Step6

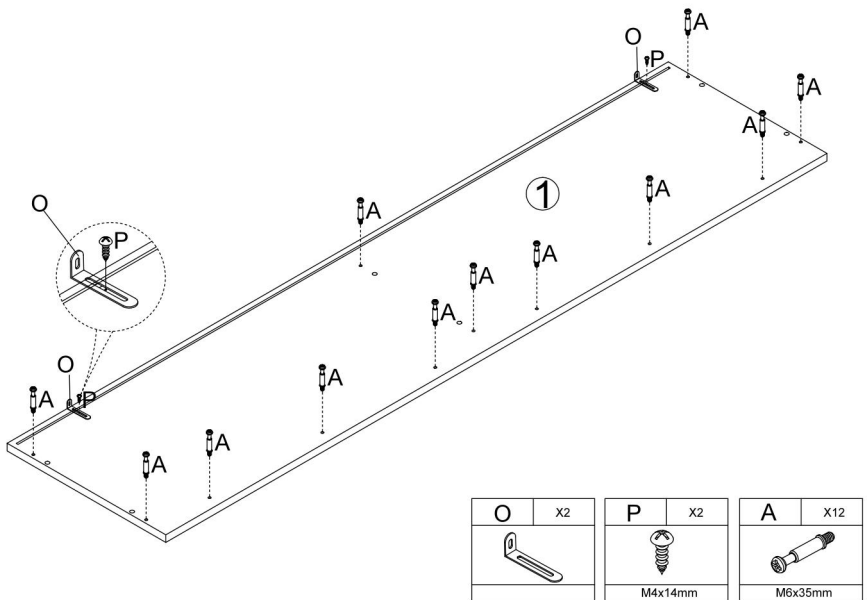


B	X3
	
Ø15x12mm	

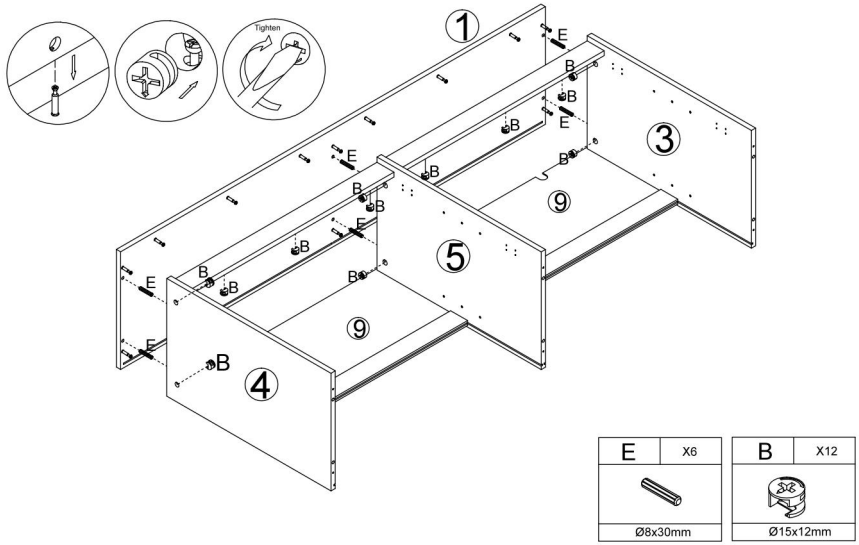
# Step7



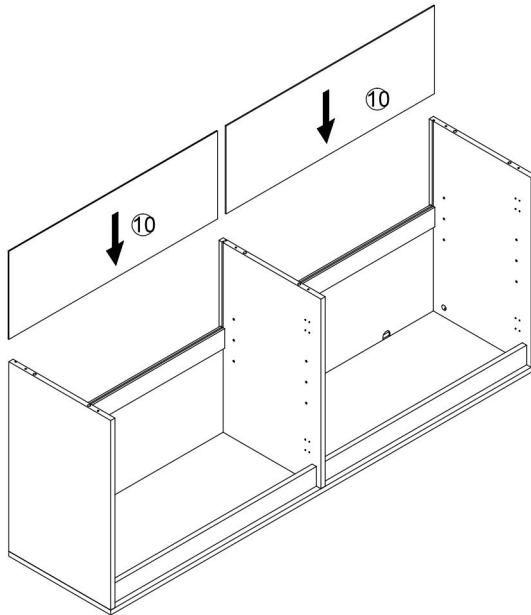
# Step8



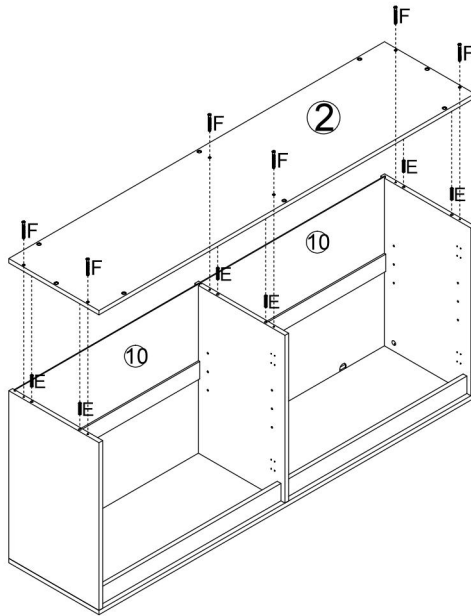
# Step9





# Step10

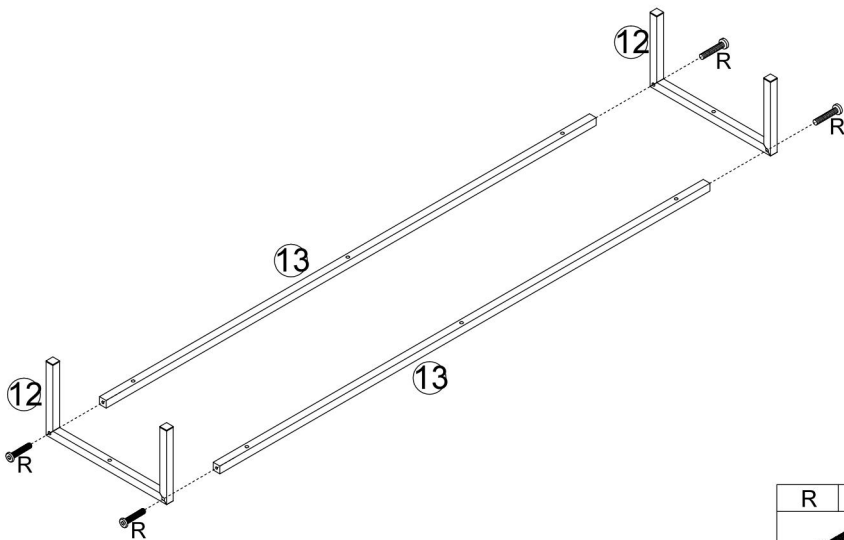


# Step11



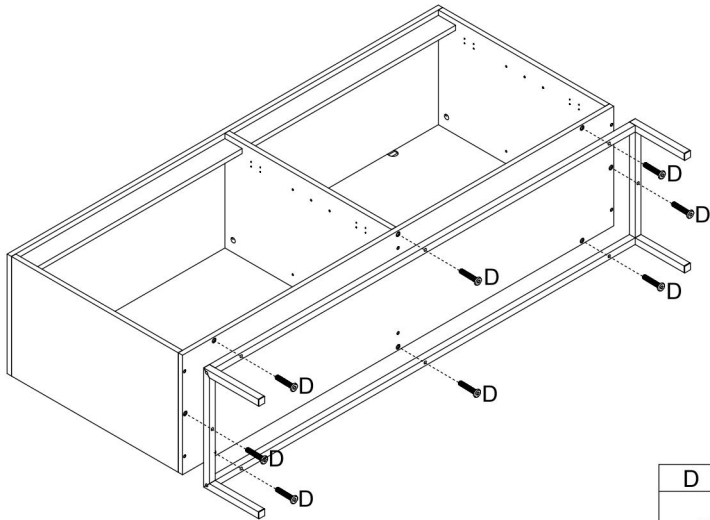
E	X6	F	X6
			
Ø8x30mm		M7x40mm	


# Step12



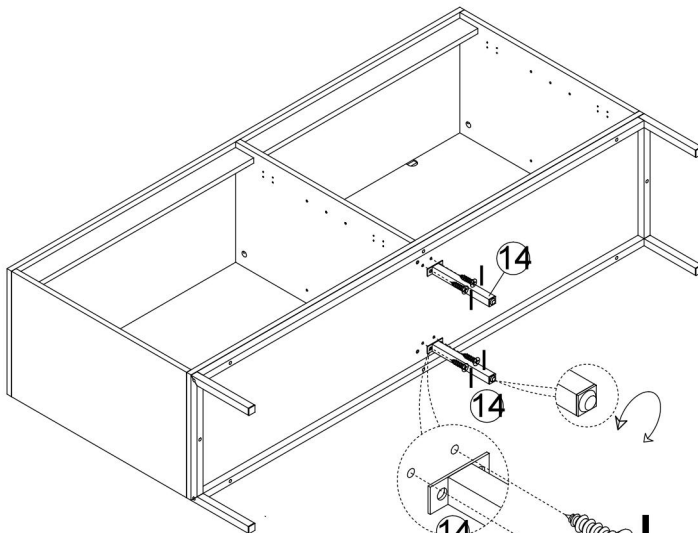
R	X4
	
M6x40mm	


# Step13



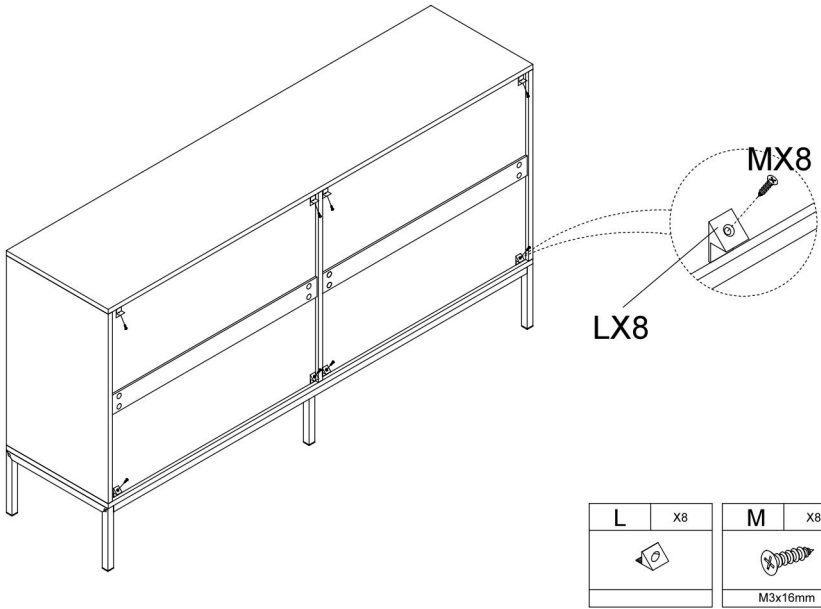
D	X8
	
M6x25mm	

# Step14

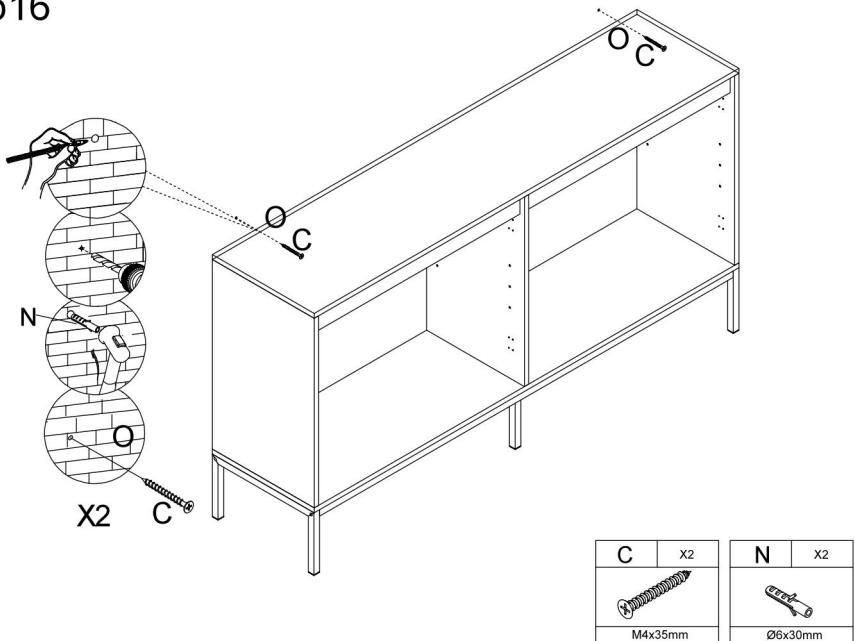


14	X4
	
M3.5x14mm	

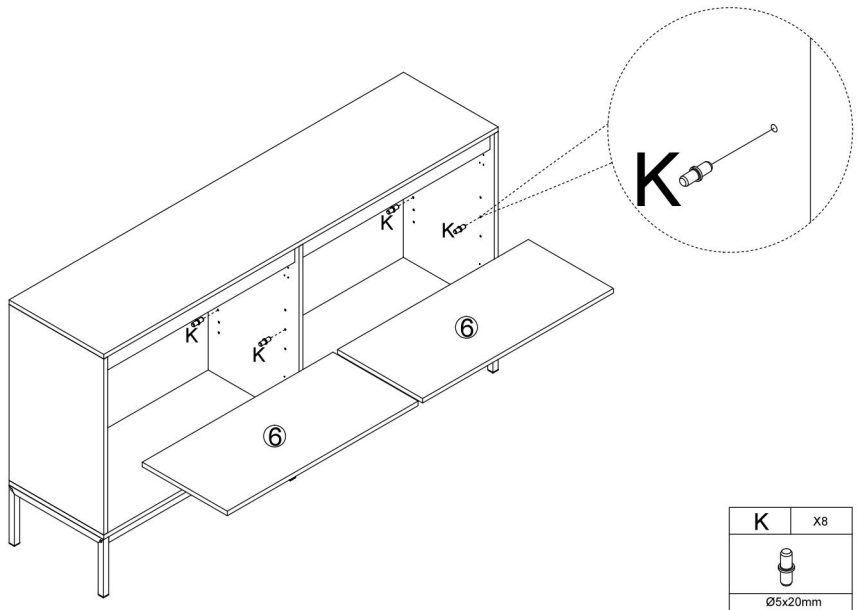
# Step15




# Step16

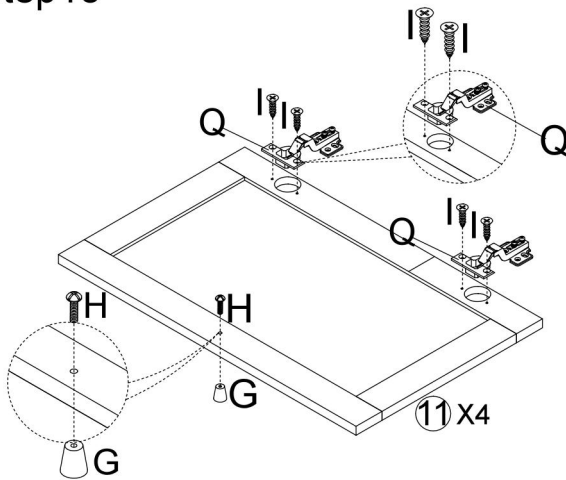




# Step17



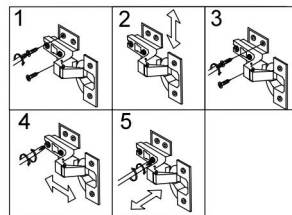
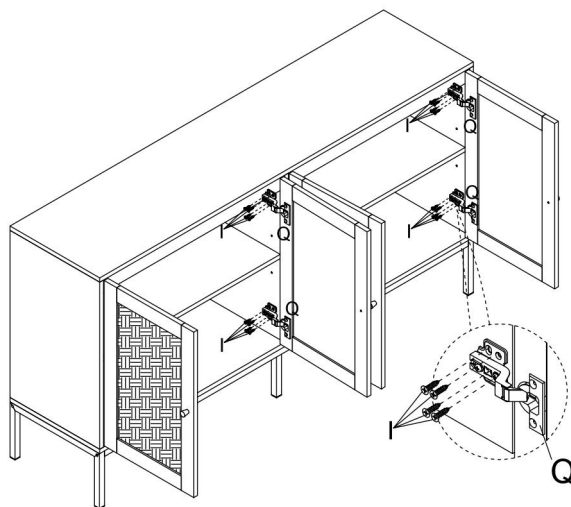
K	X8
	
Ø5x20mm	


# Step18



H	X4	G	X4	I	X16	S	X8
							
M4x18mm				M3.5x14mm			

# Step 19



I	X32
	
M3.5x14mm	

## COMPLETION

