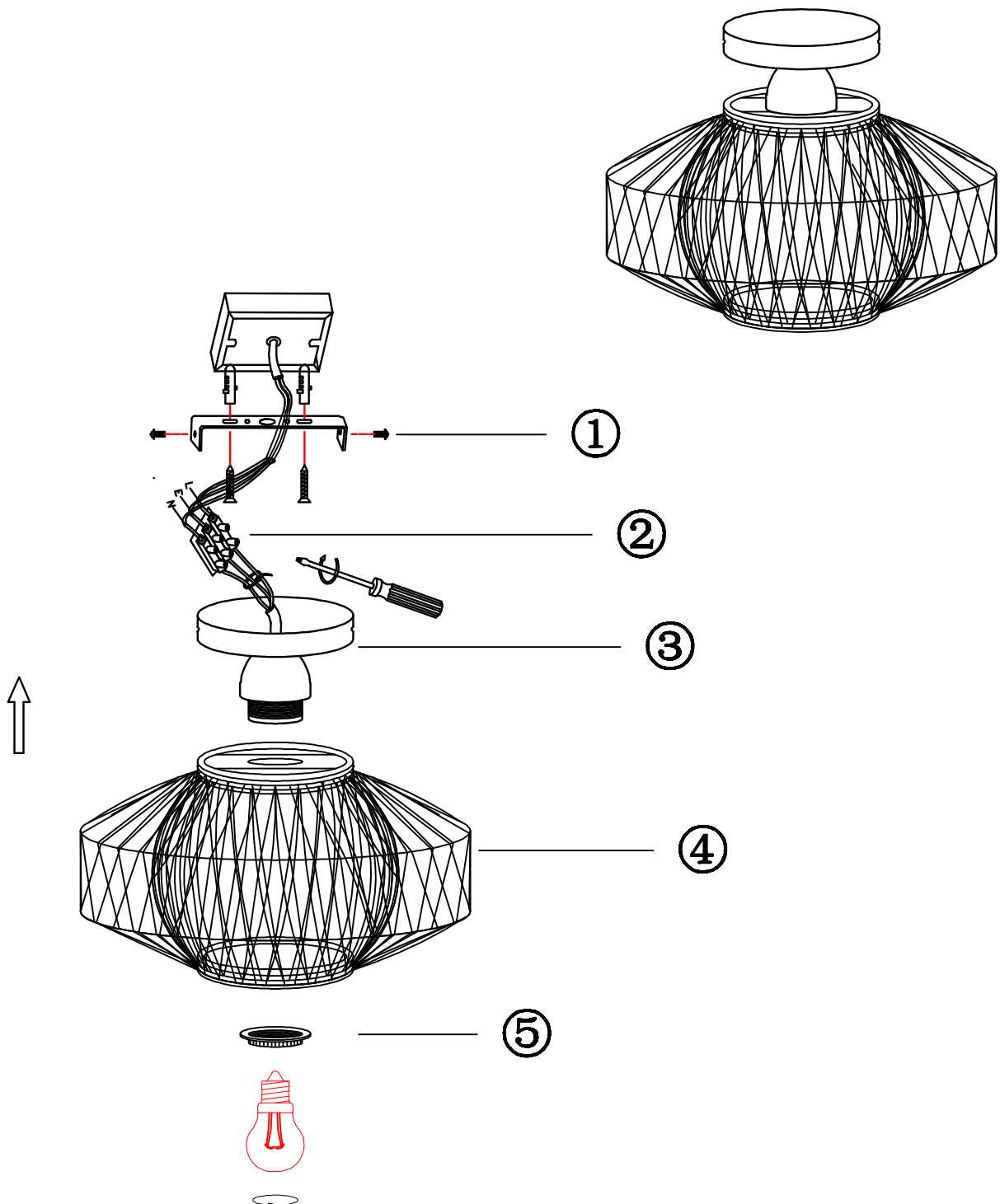


Luminaires are installed in sequence



When installing the lamp, please cut off the power supply in the room firstly.

It is strictly for bidden to wipe the surface of the lamp with a chemical solvebt such as

Bananaoil. It is recommended to wipe it with aclean cotton cloth.

Rated Voltage: US/CA:110V