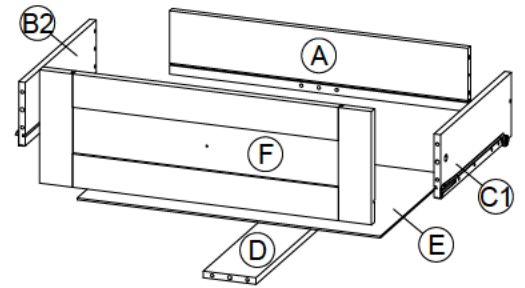
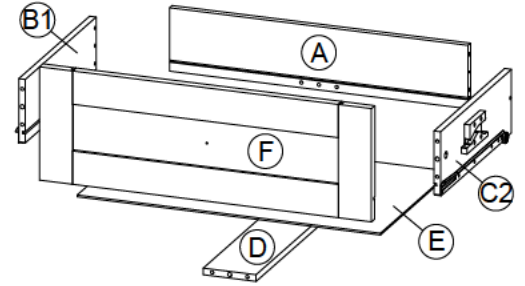
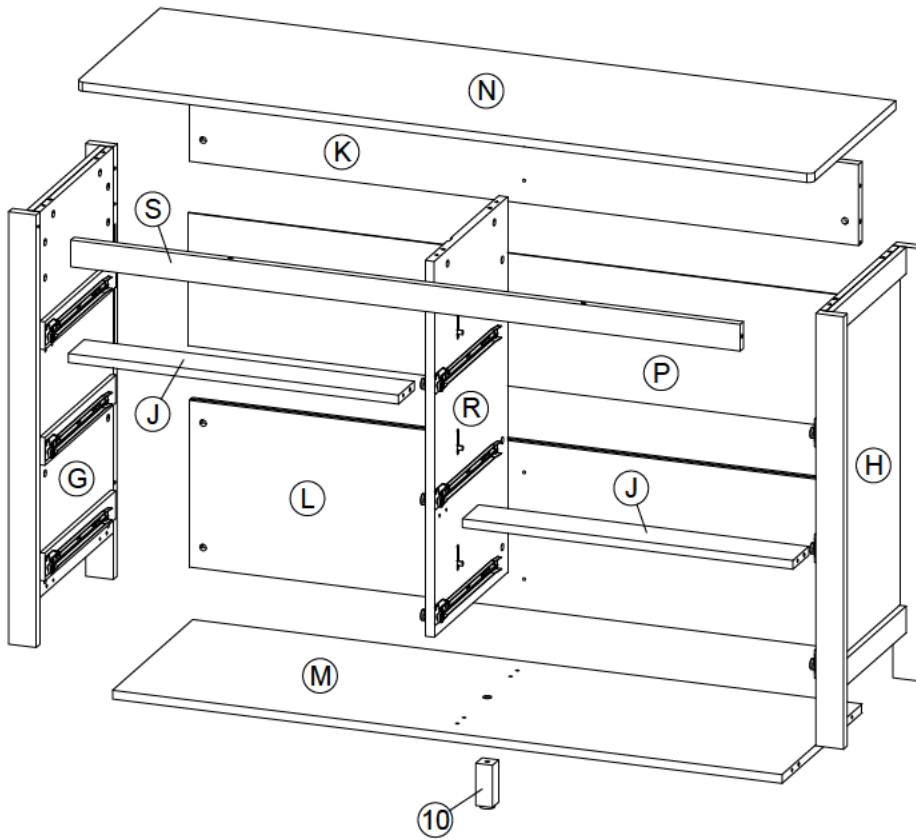










ASSEMBLY INSTRUCTION



<p>A</p>  <p>DRAWER BACK</p> <p>x 6</p>	<p>B1</p>  <p>D SIDE PANEL - L (LEFT)</p> <p>x 3</p>	<p>B2</p>  <p>D SIDE PANEL - L (LEFT)</p> <p>x 3</p>	<p>C1</p>  <p>D SIDE PANEL - R (RIGHT)</p> <p>x 3</p>
--	---	--	--

<p>C2</p>  <p>D SIDE PANEL - R (RIGHT)</p> <p>x 3</p>	<p>D</p>  <p>DRAWER SUPPORT</p> <p>x 6</p>	<p>E</p>  <p>DRAWER BOTTOM</p> <p>x 6</p>	<p>F</p>  <p>DRAWER HEAD</p> <p>x 6</p>
--	---	---	--

ASSEMBLY INSTRUCTION

G



SIDE PANEL - L

x 1

H



SIDE PANEL - R

x 1

J



MIDDLE SUPPORT

x 2

K



BACK PANEL - UP

x 1

L



BACK PANEL - DOWN

x 1

M



BOTTOM PANEL

x 1

N



TOP PANEL

x 1

P



BACK PANEL - CENTER

x 1

R



CENTER PANEL

x 1

S



FRONT SUPPORT

x 1

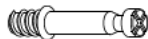
1



MINI FIX CAM NUT

x 47

2



MINI FIX CAM BOLT

x 47

3



M6 x 30mm WOOD DOWEL

x 90

4



M6 x 50mm CSK CAP WOOD SCREW

x 2

ASSEMBLY INSTRUCTION

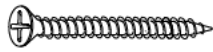
5



ALLEN KEY M4

x 1

6



M4 x 38mm C.B
SCREW

x 18

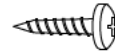
7



M8 x 30mm JCBC
SCREW

x 1

8



PH #8 x 16mm
SCREW

x 6

9



HANDLE 209

x 6

10



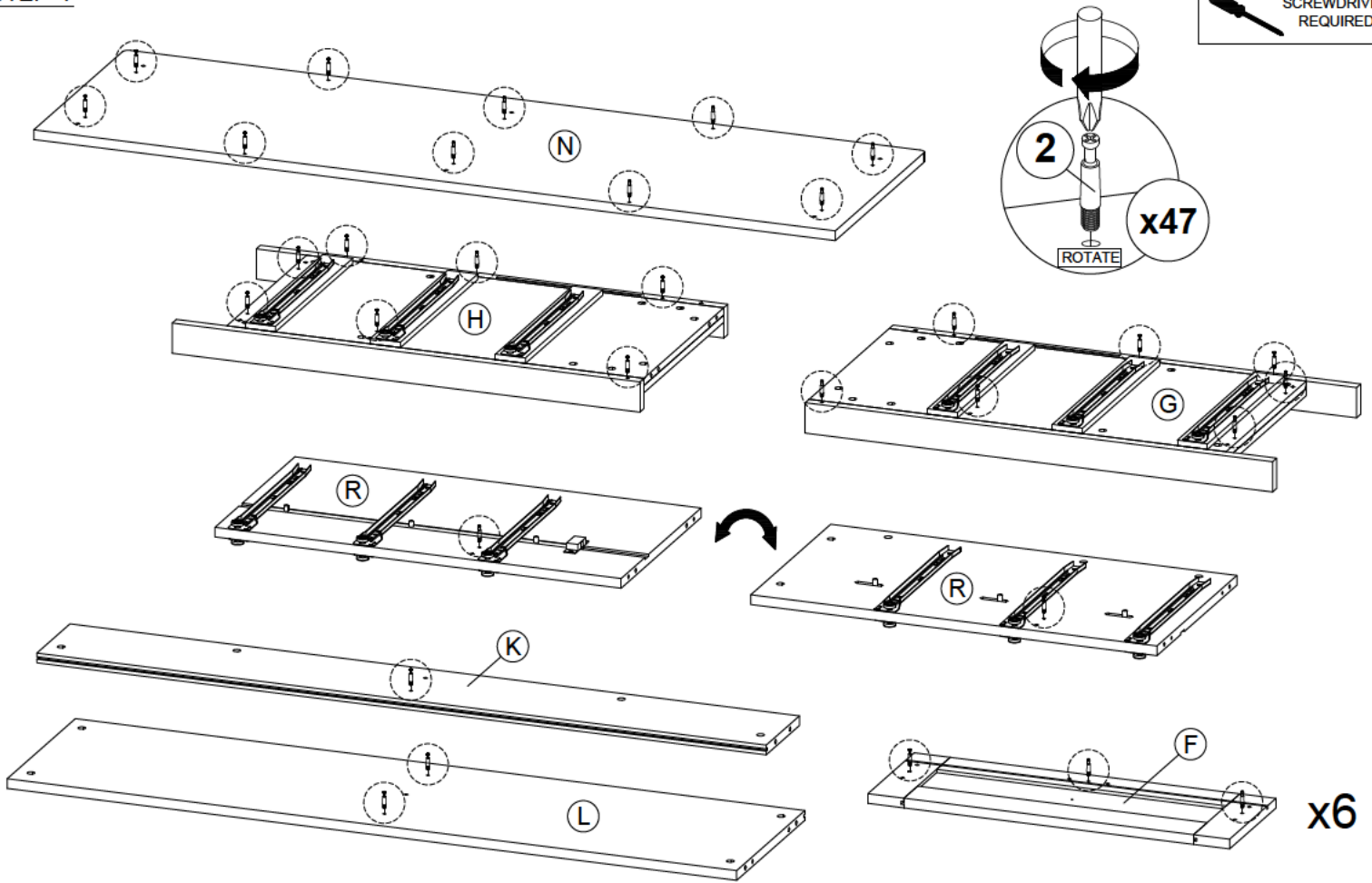
CENTER LEG

x 1

ASSEMBLY INSTRUCTION

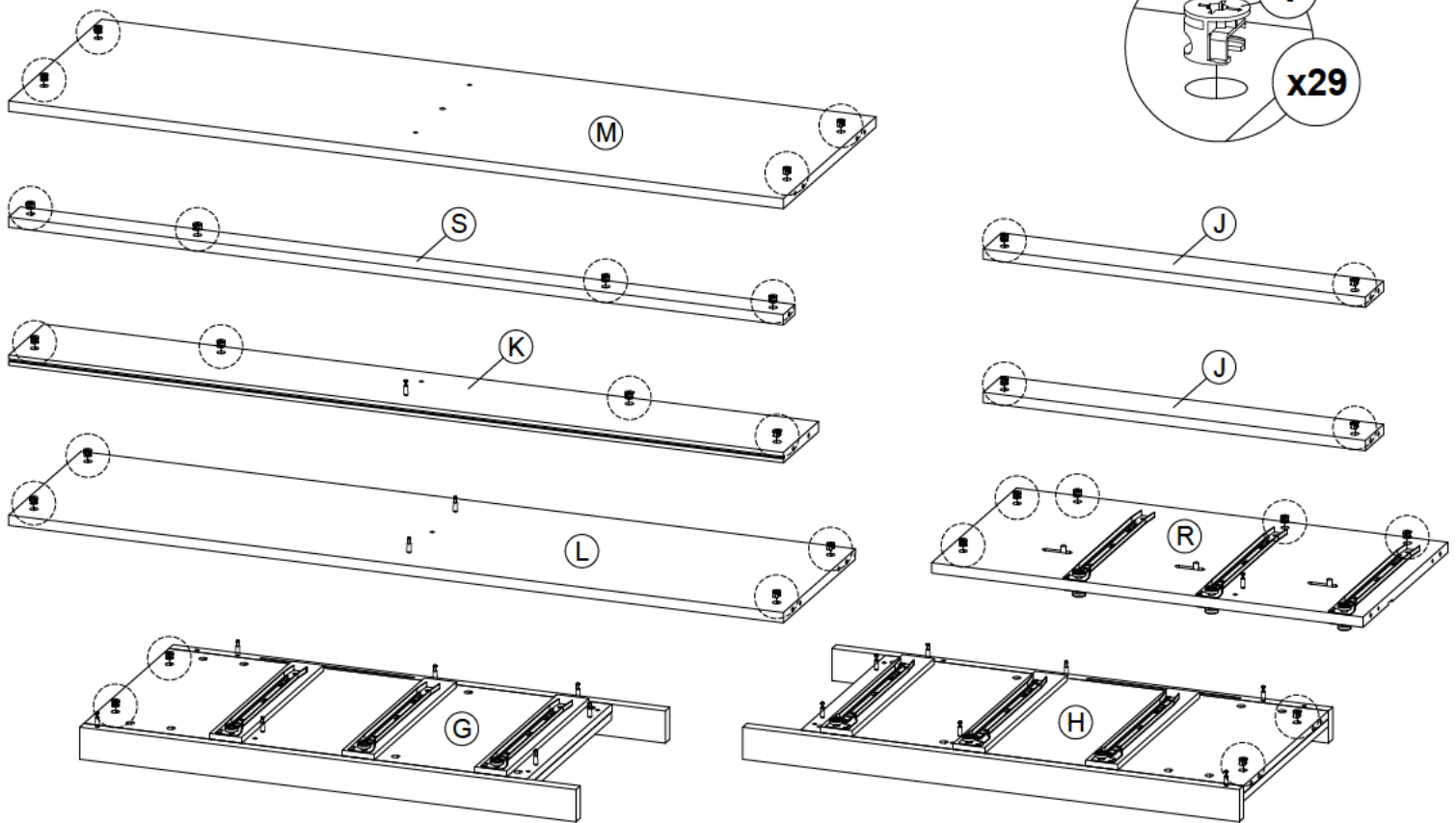
STEP 1

SCREWDRIVER
REQUIRED



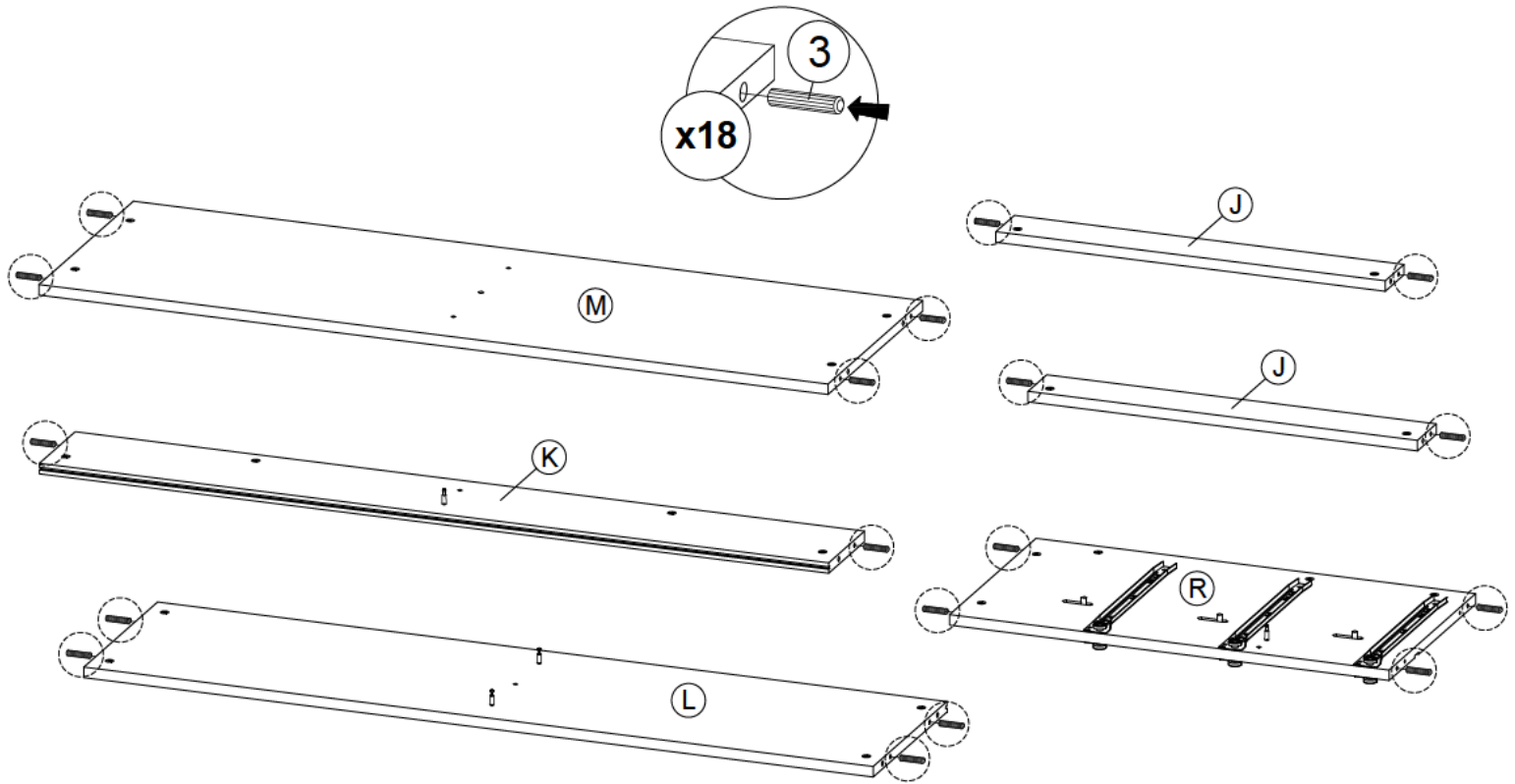
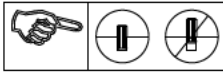
STEP 2

1
x29

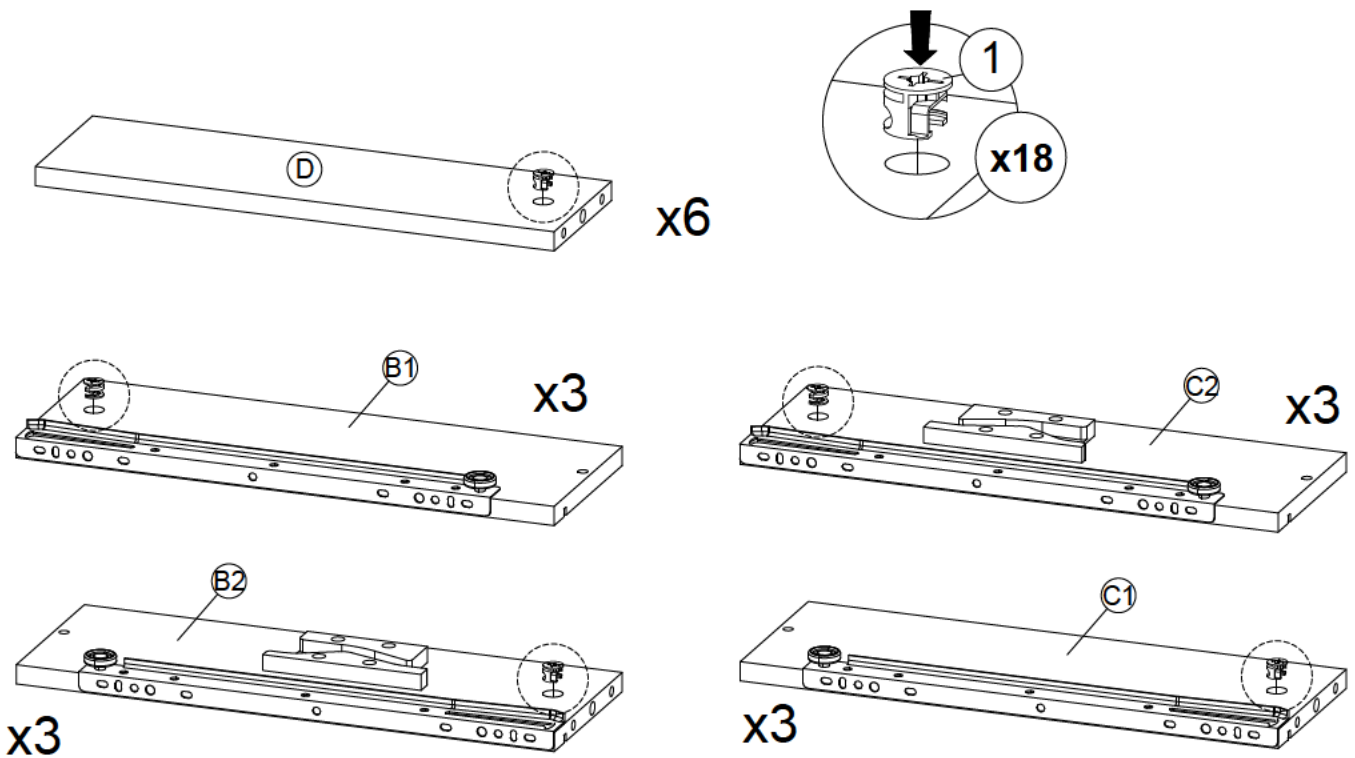


ASSEMBLY INSTRUCTION

STEP 3

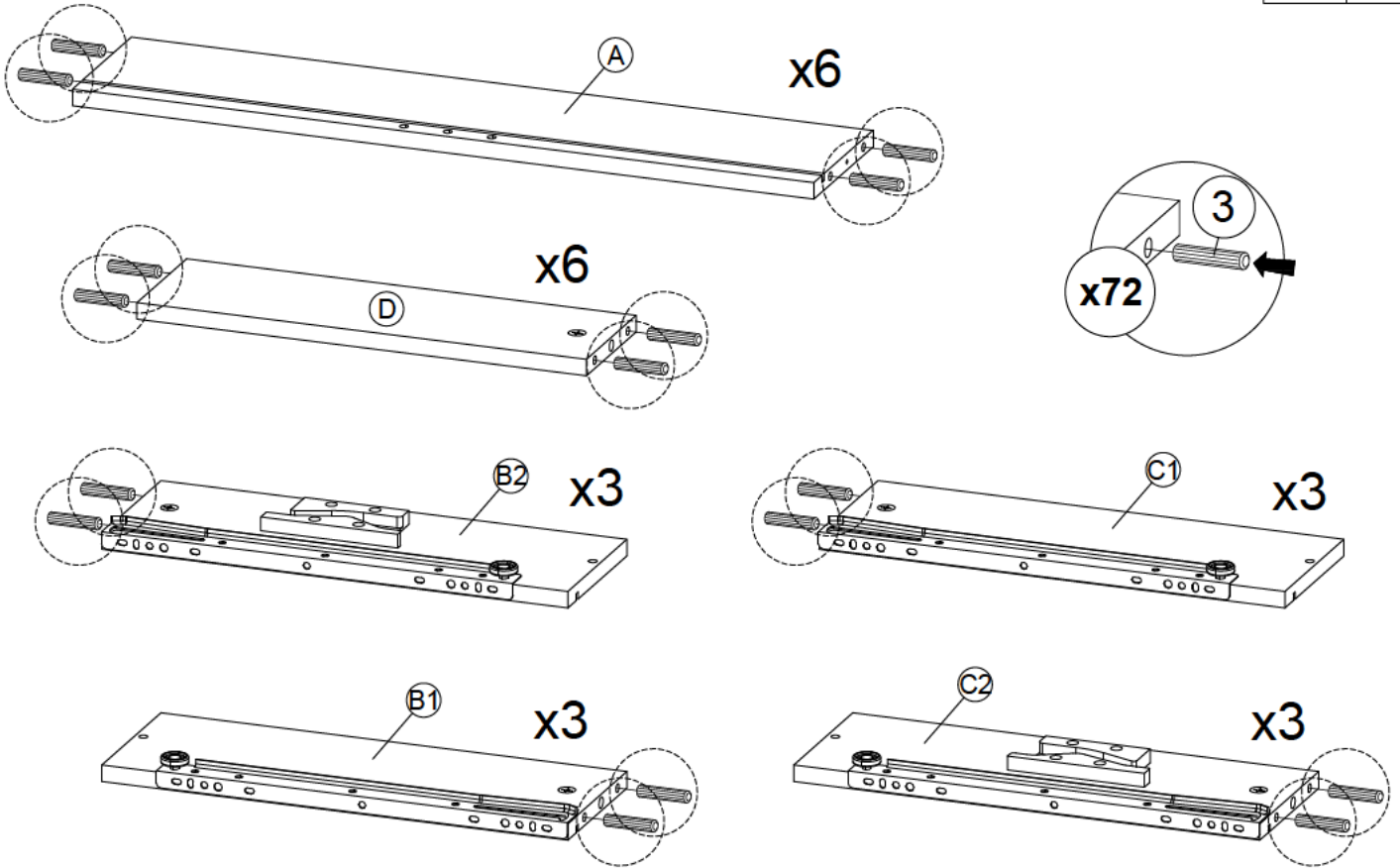
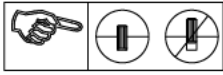


STEP 4

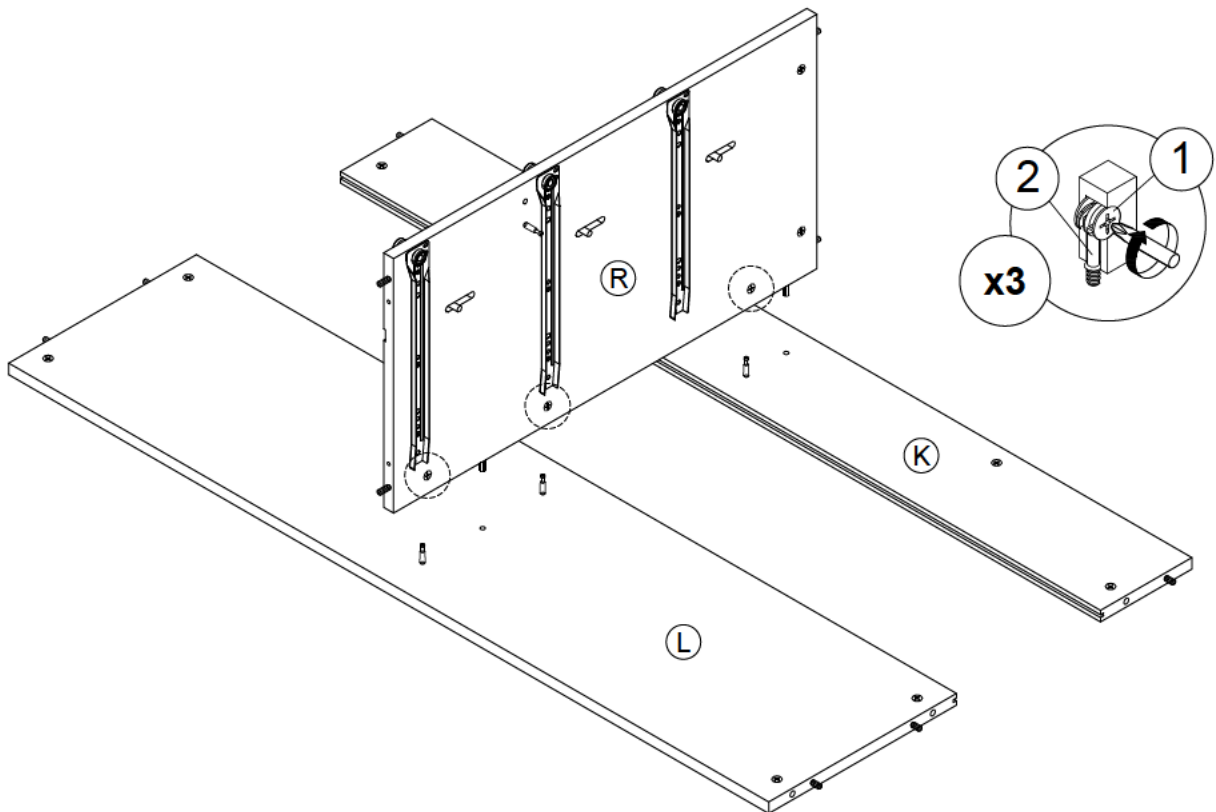


ASSEMBLY INSTRUCTION

STEP 5

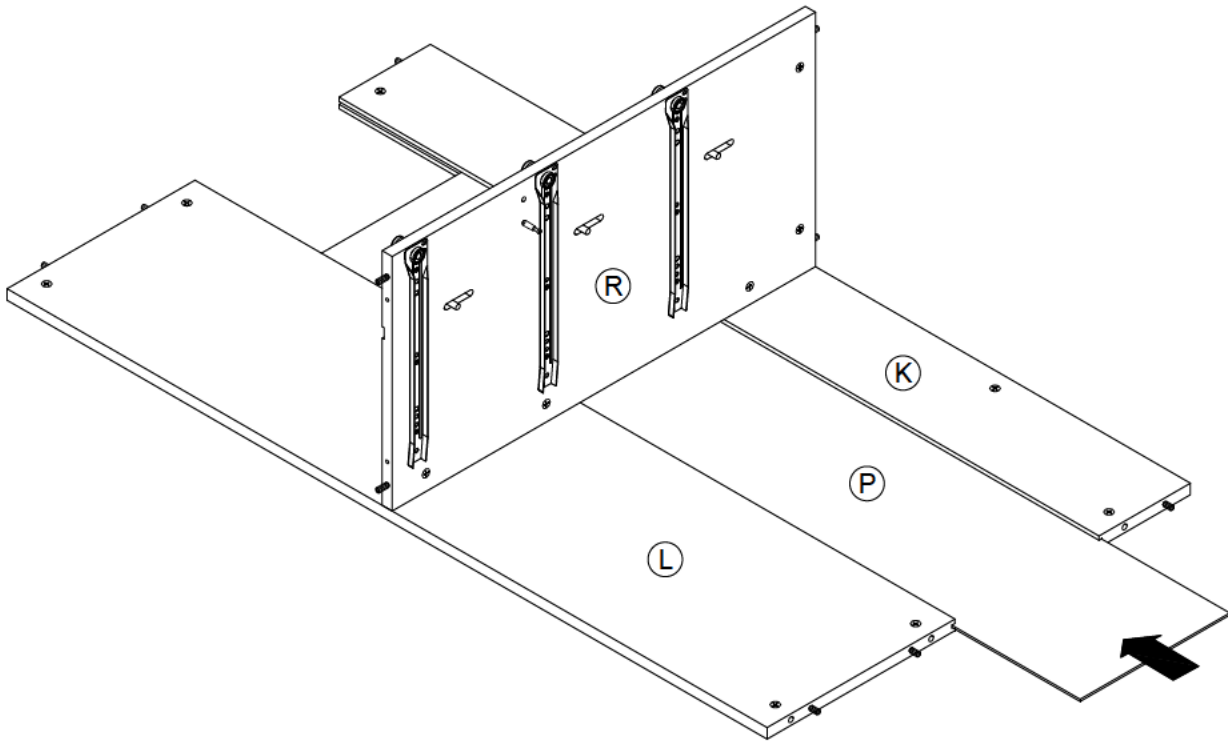


STEP 6



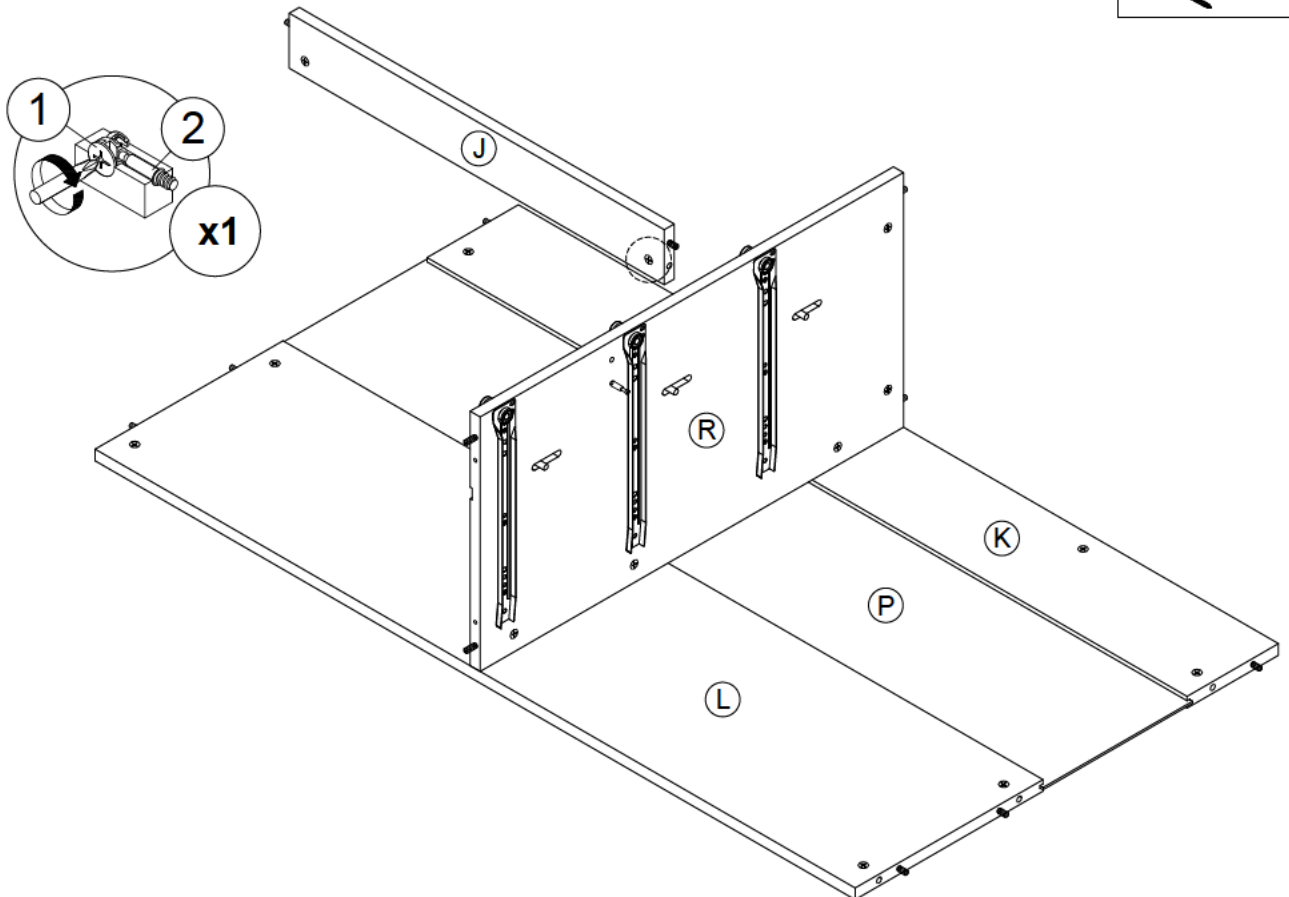
ASSEMBLY INSTRUCTION

STEP 7



STEP 8

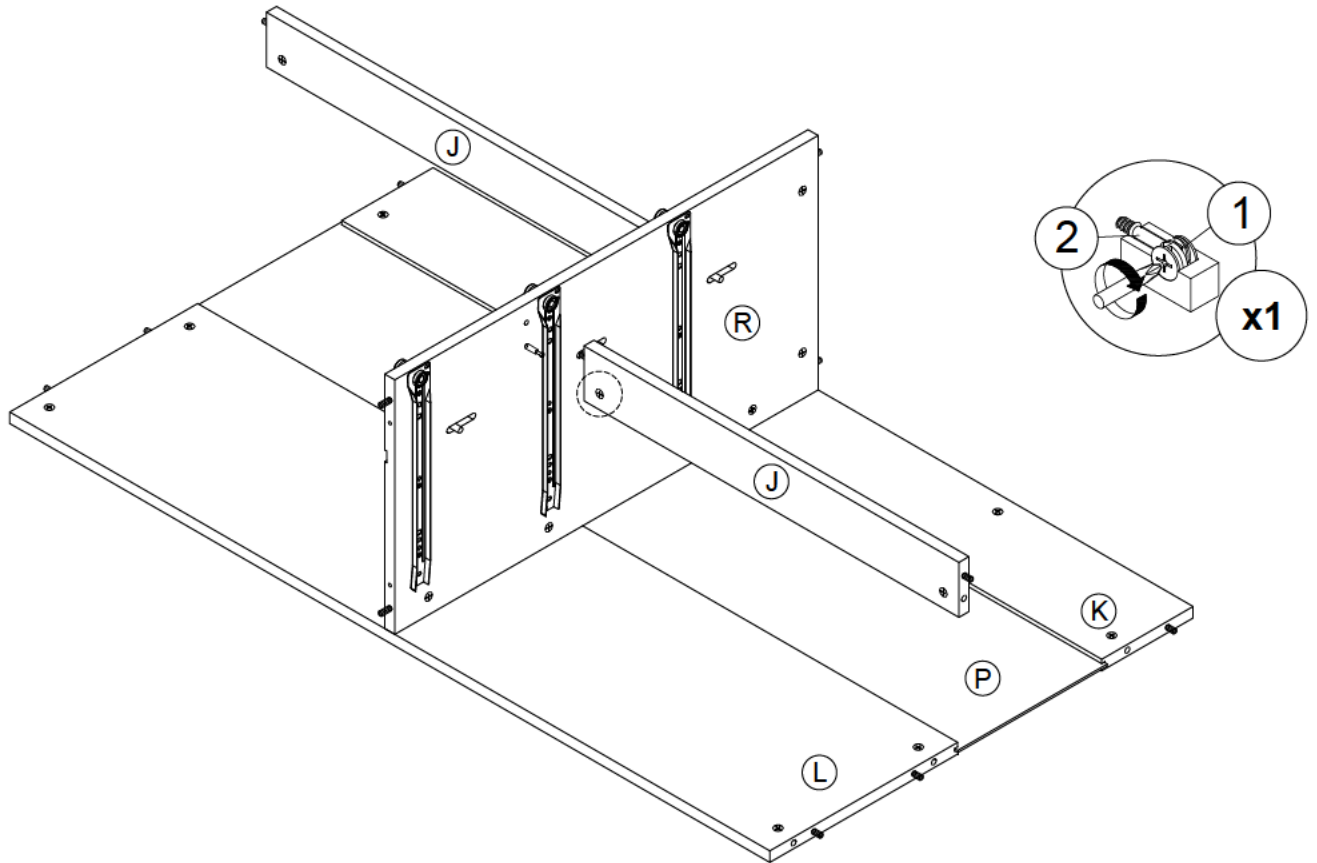
SCREWDRIVER
REQUIRED



ASSEMBLY INSTRUCTION

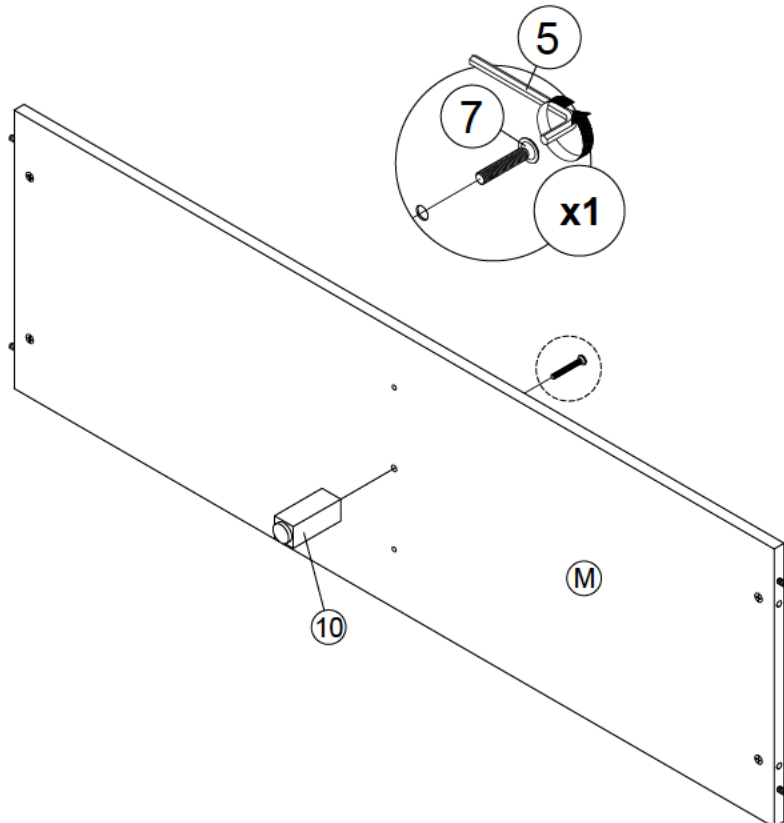
STEP 9

SCREWDRIVER
REQUIRED



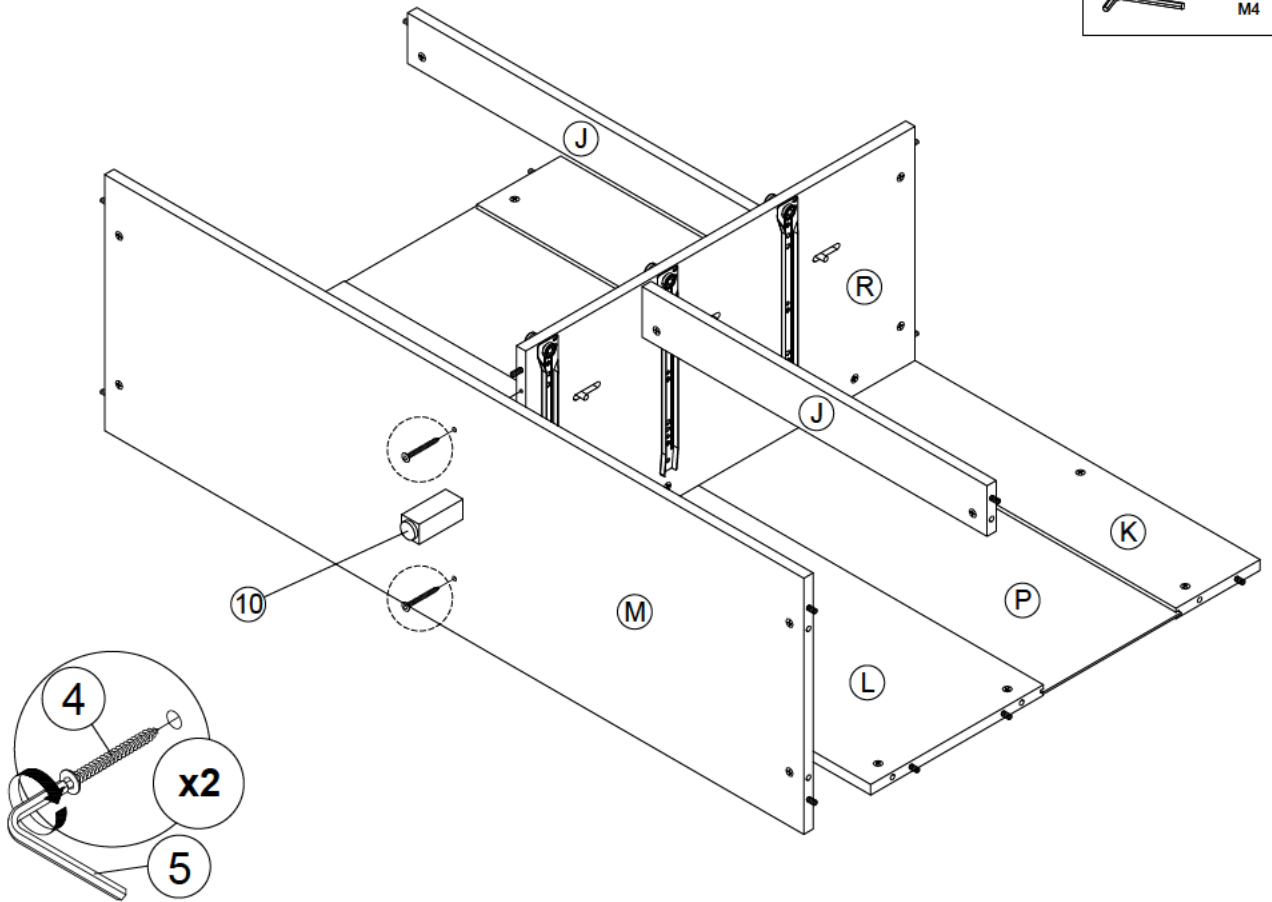
STEP 10

ALLEN KEY
M4

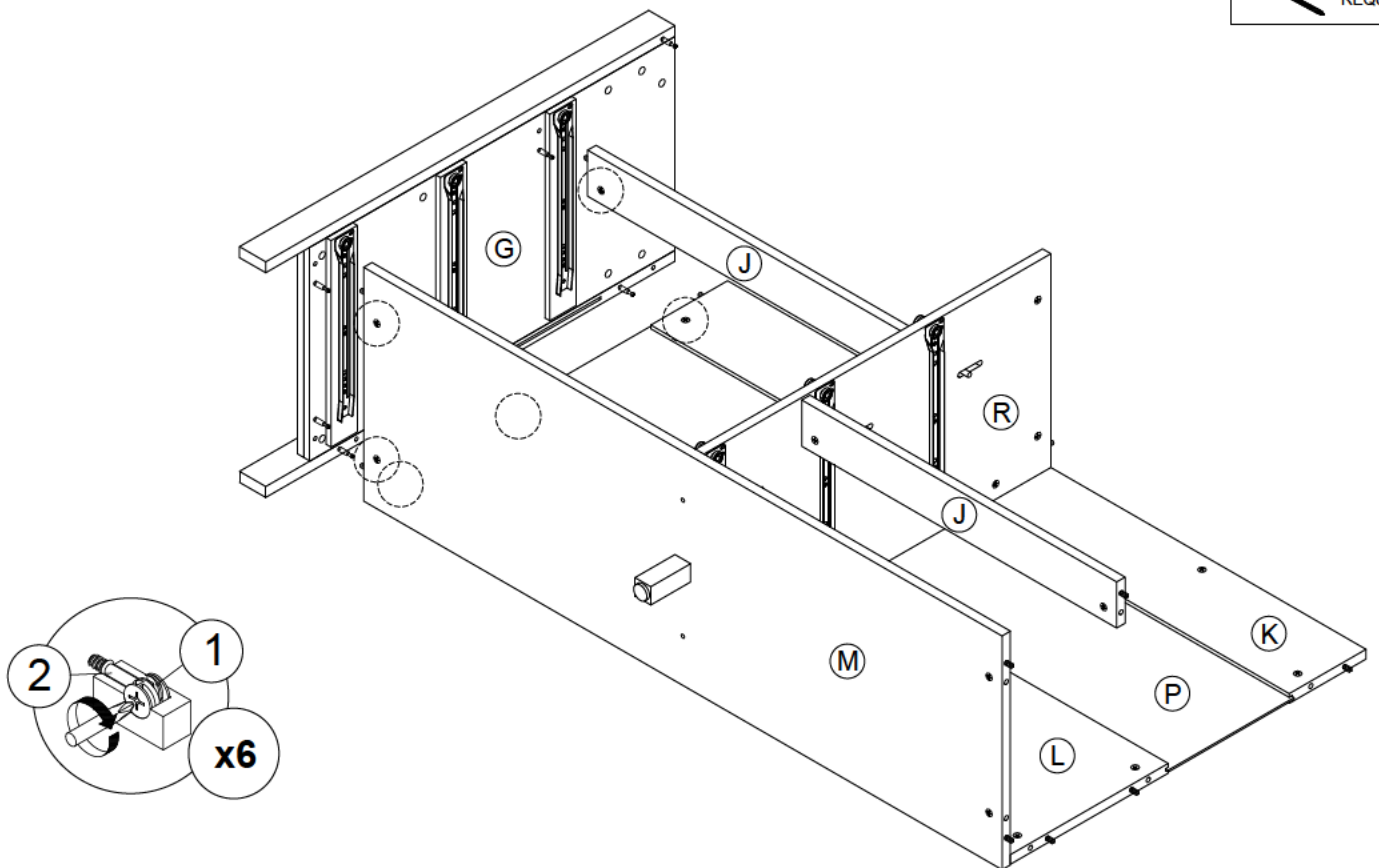


ASSEMBLY INSTRUCTION

STEP 11

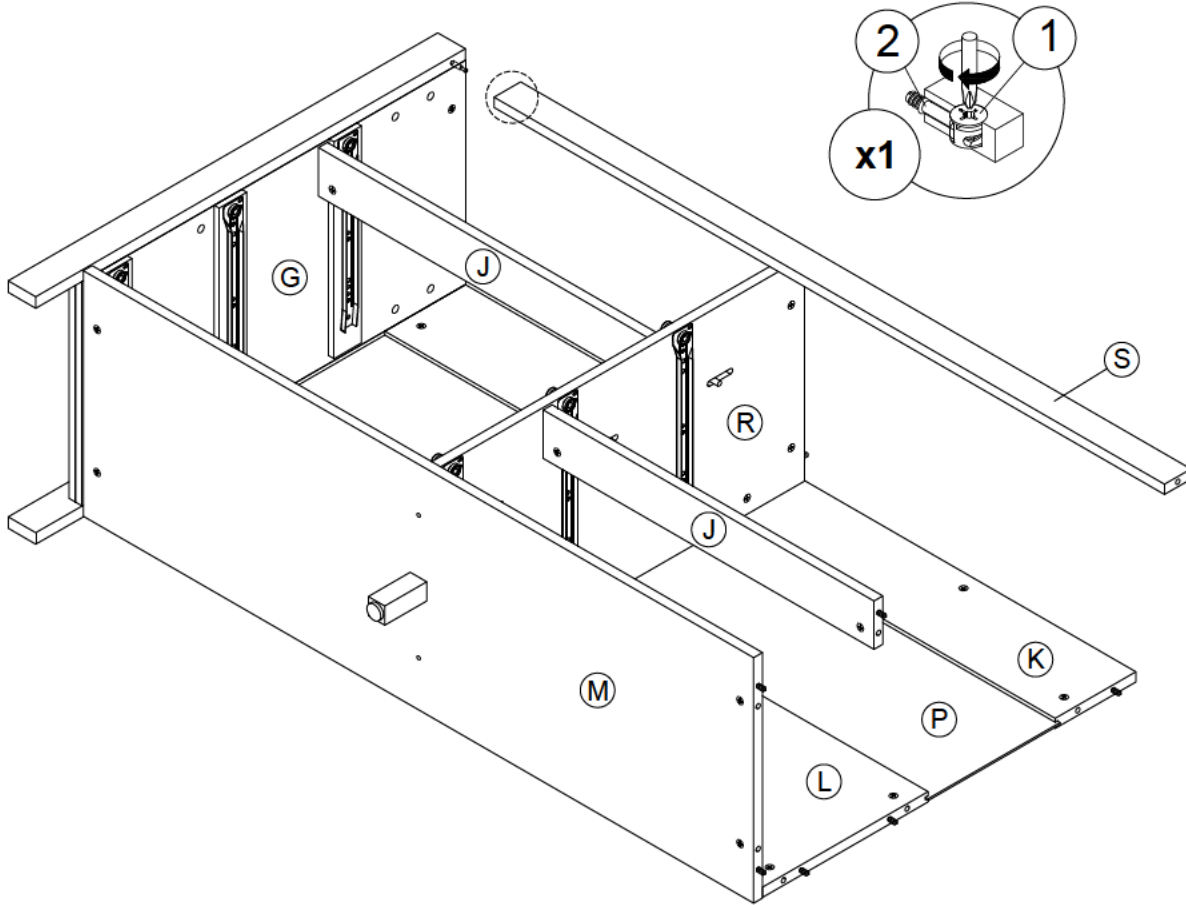


STEP 12

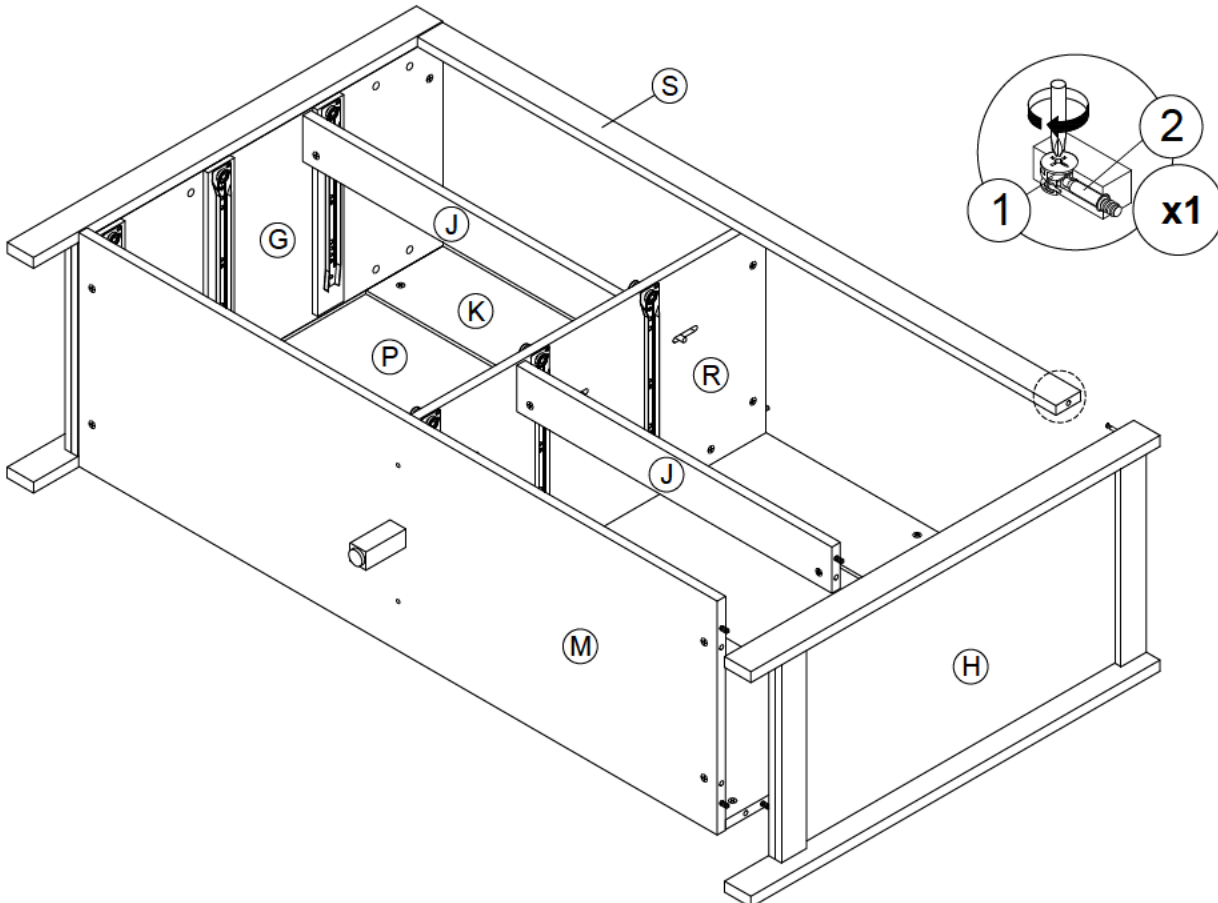


ASSEMBLY INSTRUCTION

STEP 13



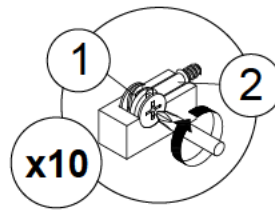
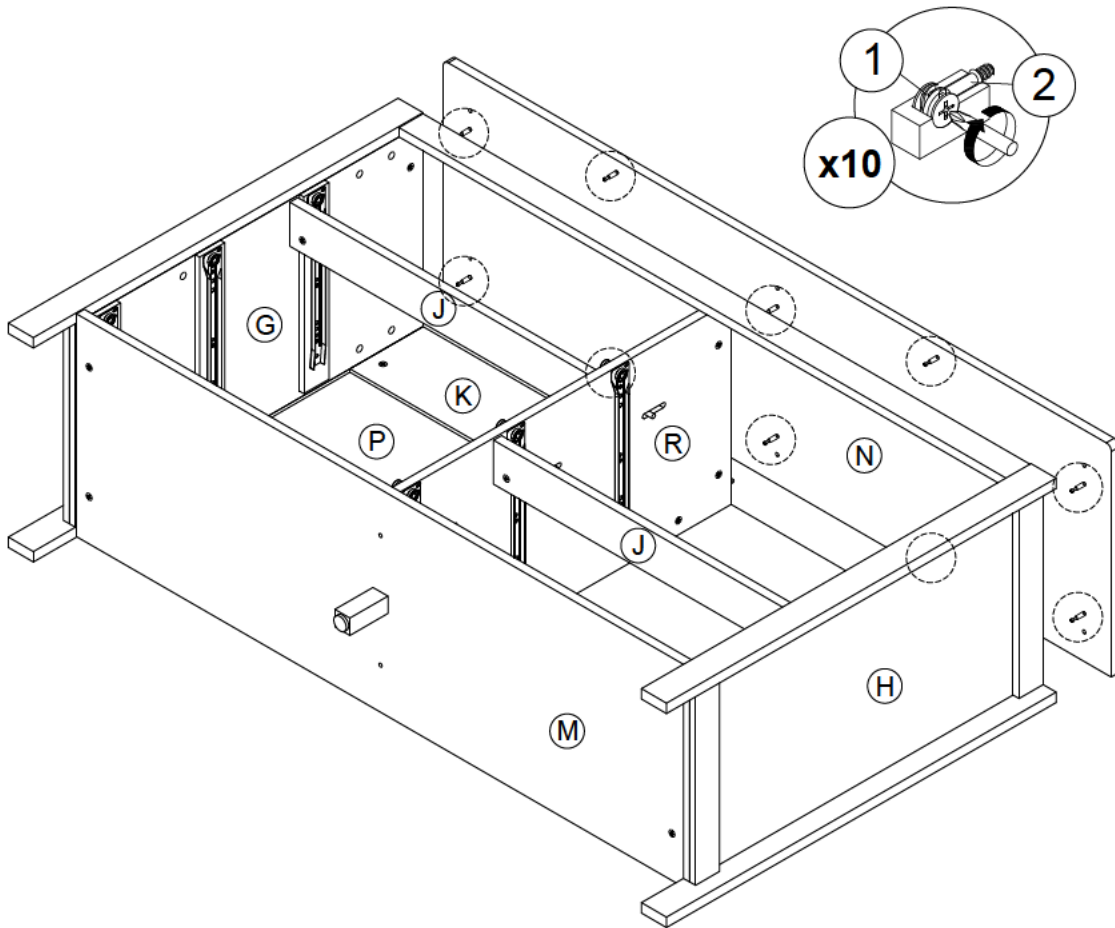
STEP 14



ASSEMBLY INSTRUCTION

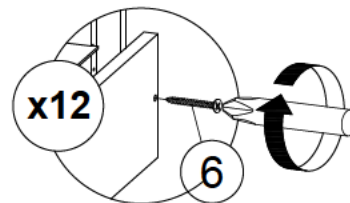
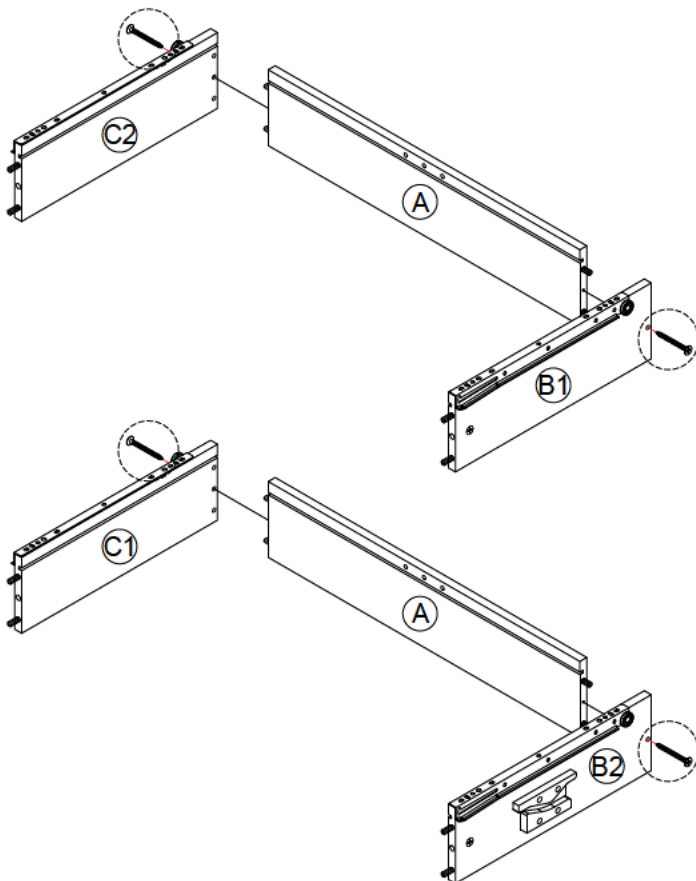
STEP 15

SCREWDRIVER
REQUIRED



STEP 16

SCREWDRIVER
REQUIRED



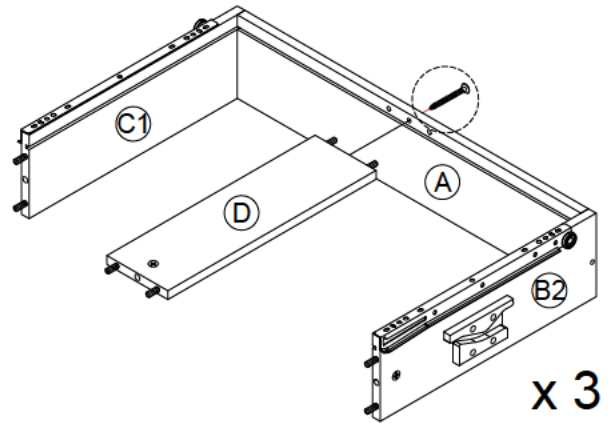
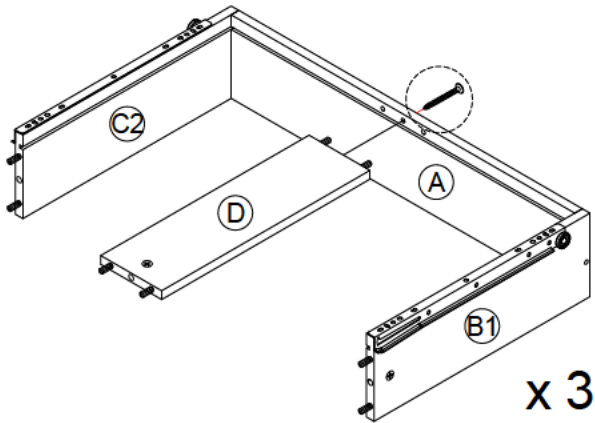
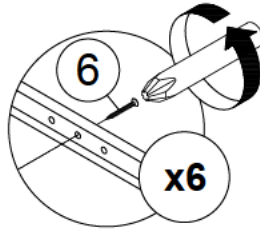
x 3

x 3

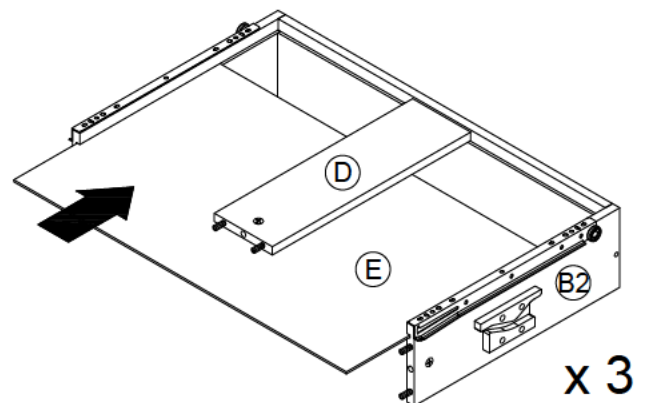
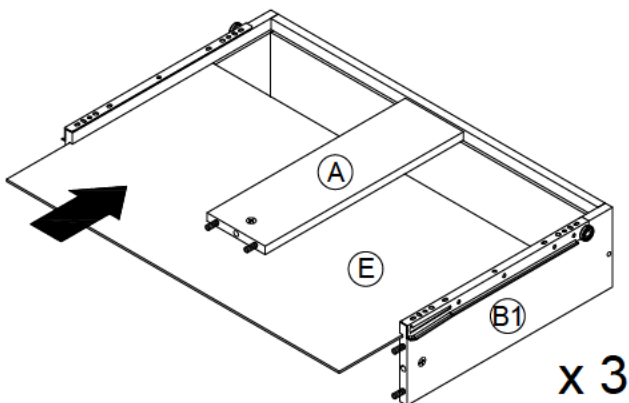
ASSEMBLY INSTRUCTION

STEP 17

SCREWDRIVER
REQUIRED

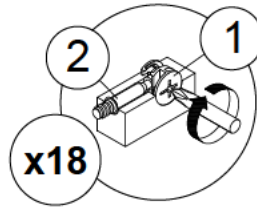
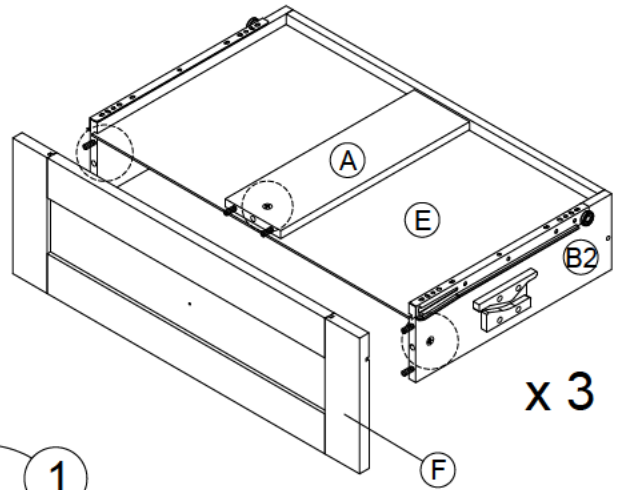
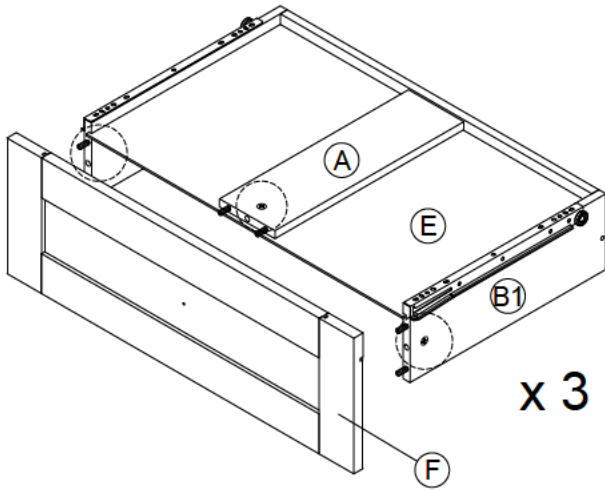


STEP 18

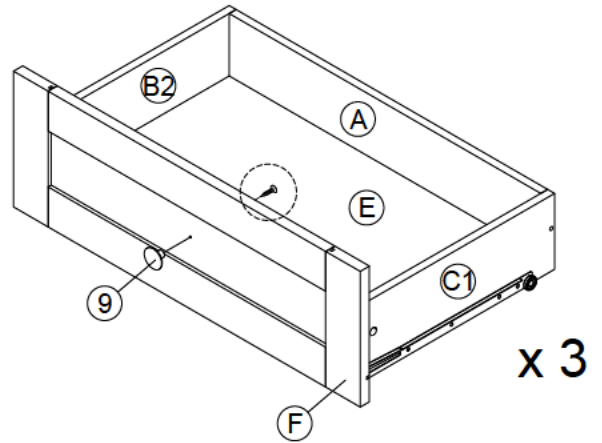
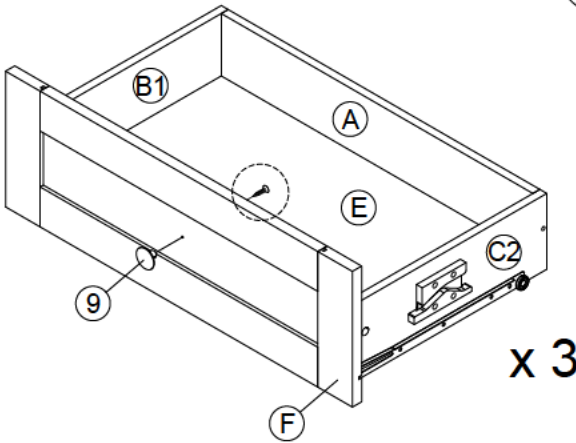
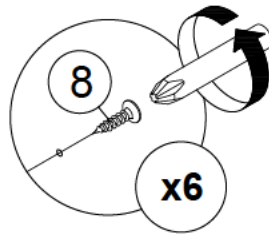


ASSEMBLY INSTRUCTION

STEP 19

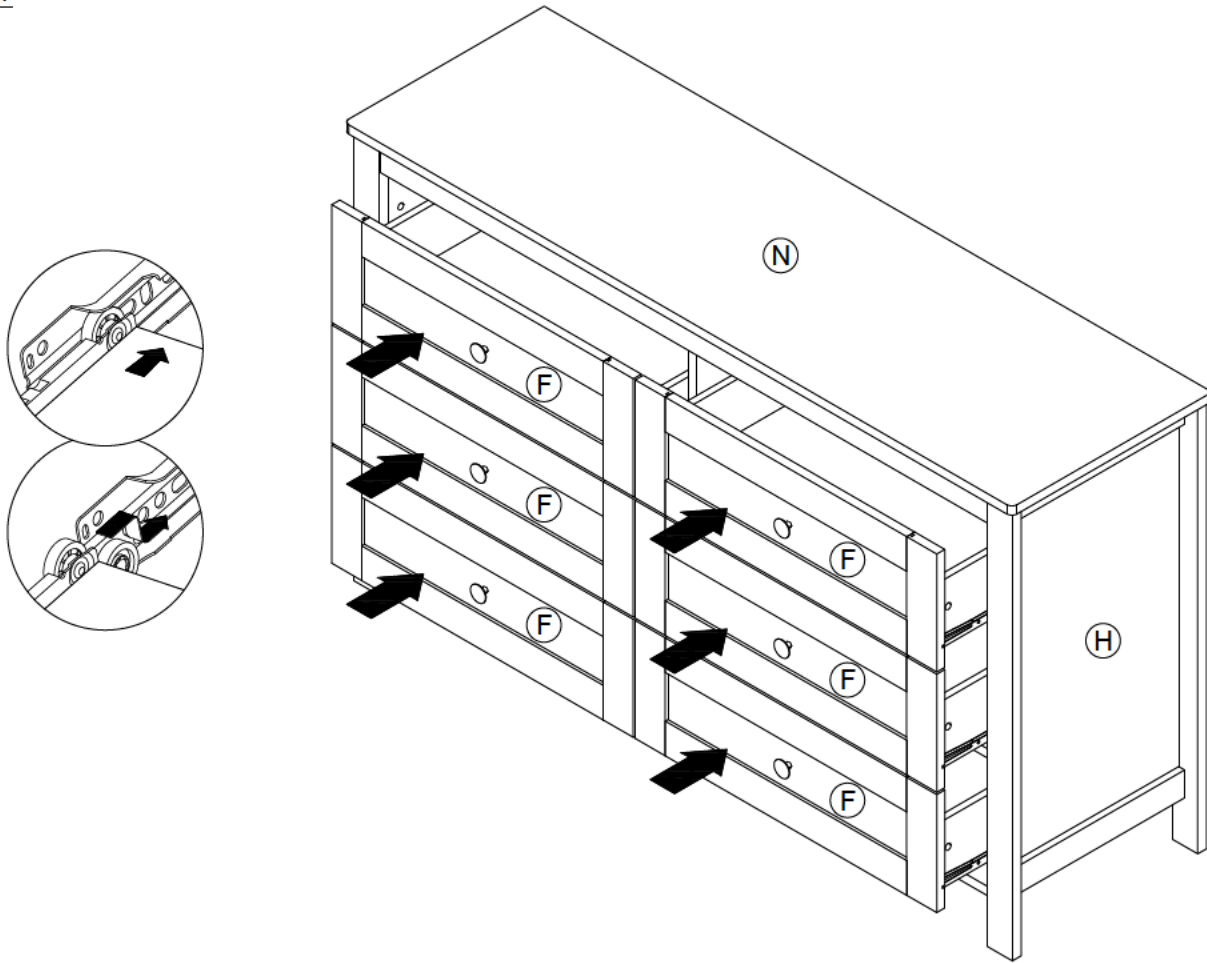


STEP 20

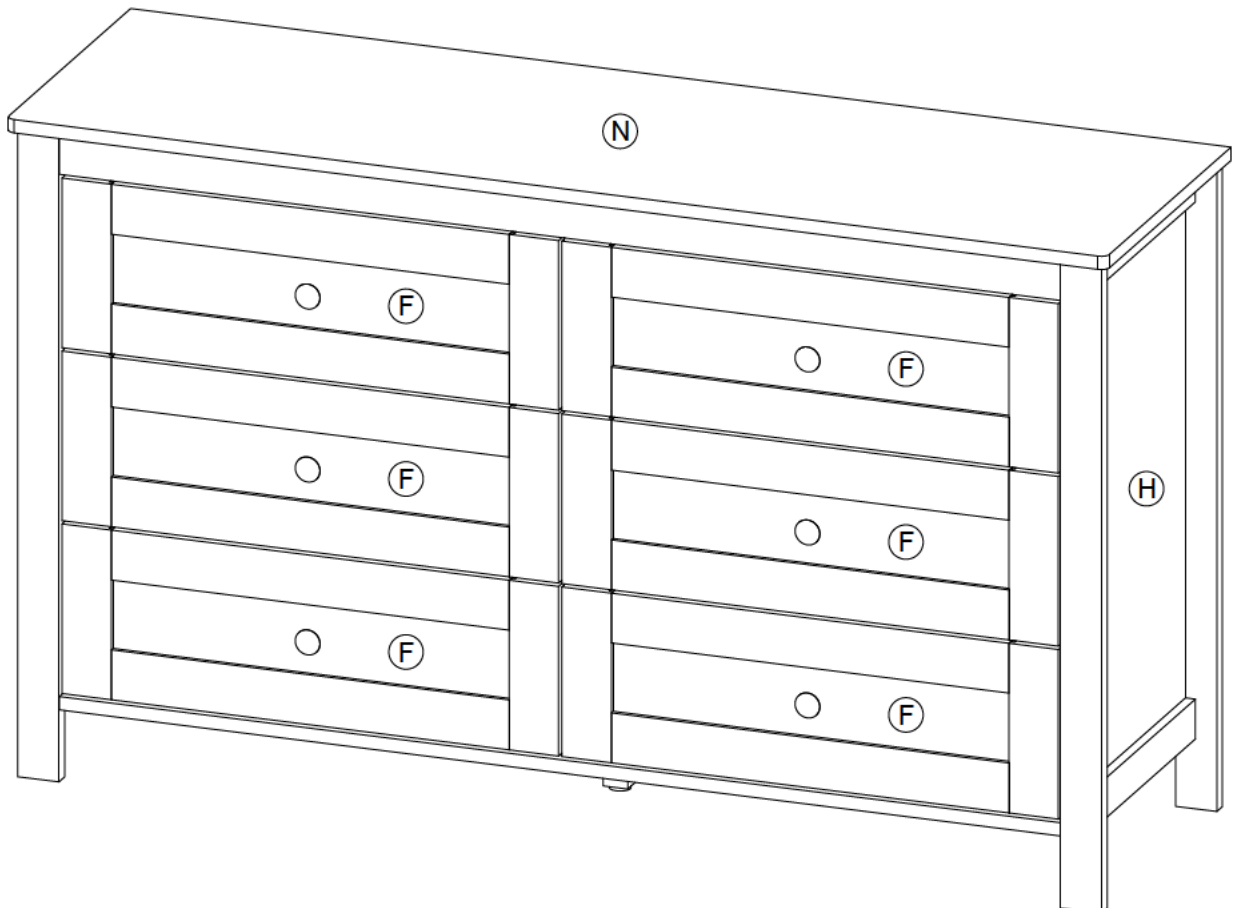


ASSEMBLY INSTRUCTION

STEP 21



COMPLETE



ASSEMBLY INSTRUCTION

Removing The Drawers

1. Remove Drawer
2. Reset the interlocking bar by sliding the bar downward past the detent ball
3. Remove the remaining drawers by repeating Step 1 & 2

