

# Assembly Instructions

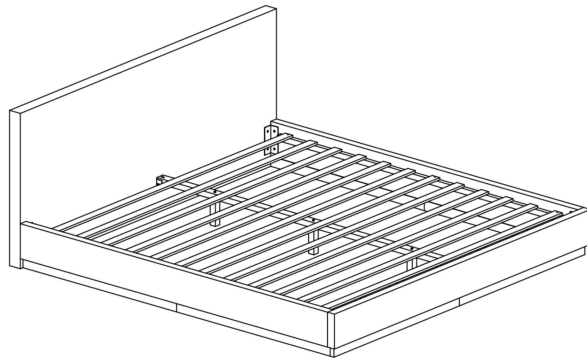
**Caution : You must read this before you proceed**

## Care & Maintenance

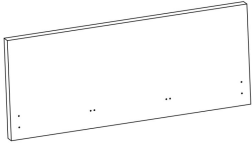



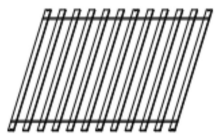
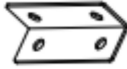

- ⊘  • Not for commercial use. For residential use only.
  - ✓  • Furniture may scratch floors. We recommend using furniture pads to protect your floors.
  - ⊘  • Do not put hot items directly on furniture surface.
  - ⊘  • Do not clean furniture with harsh cleansers or polish.
  - ⊘  • Do not place furniture under direct sunlight.
  - ⊘  • Do not place furniture near heating or cooling vents.
  - ⊘  • Do not write on furniture without a padded barrier to protect the surface.
  - ⊘  • Do not place furniture outside . For indoor use only.
  - ⊘  • Stains may be removed with mild soap solution and damp cloth.
  - ⊘  • Children should not climb or jump on the furniture.
- ✓  • Dust and pick-up spills using a clean, non-colored, lint-free cloth.

Please look in carton for hardware packs and legs.

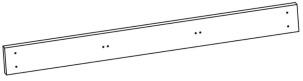


# Upholstered Bed





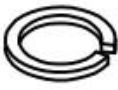

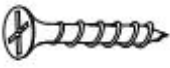
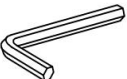

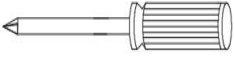
## Parts List

Label	Picture	Description	QTY
A		Headboard	1
D		Leg A	2
F		Leg B	4
H		Center Support Leg	3
I		Bed Slat	1
J		L-Iron	4
K		Iron Bracket	2

## Parts List

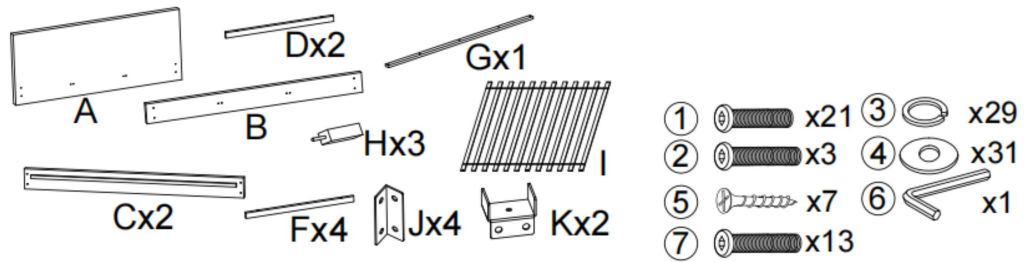
B		Footboard	1
C		Side Rail	2
G		Center Rail	1

## Hardware

Label	Picture	Description	QTY
①		Bolt Ø1/4" x 1"	21
②		Bolt Ø1/4" x 1-1/2"	3
③		Spring Washer Ø1/4"	29
④		Flat Washer Ø1/4"	31
⑤		Screw #8x1"	7
⑥		Allen Wrench 4.0x21x57	1
⑦		Bolt Ø1/4" x 2-1/2"	13
⑧		Screwdriver (Not provided)	1

# Assembly Preparation

Before Beginning Assembly :



- Read instructions, cover to cover-



- Have 2 adults on hand for assembly-



- Do not assemble on flooring or carpet-

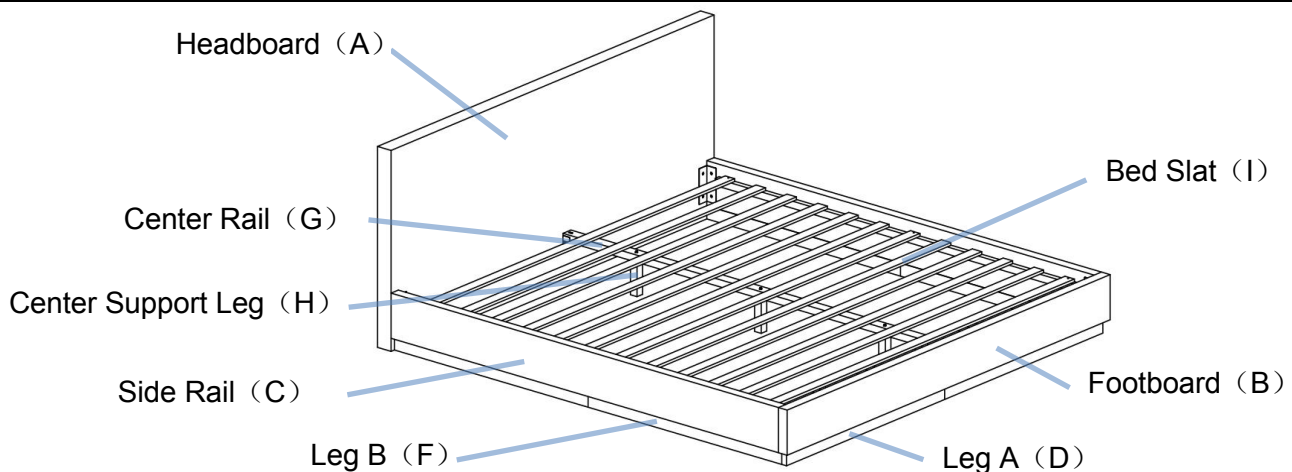


- Assemble on a clean non-marring surface (packing foam)-



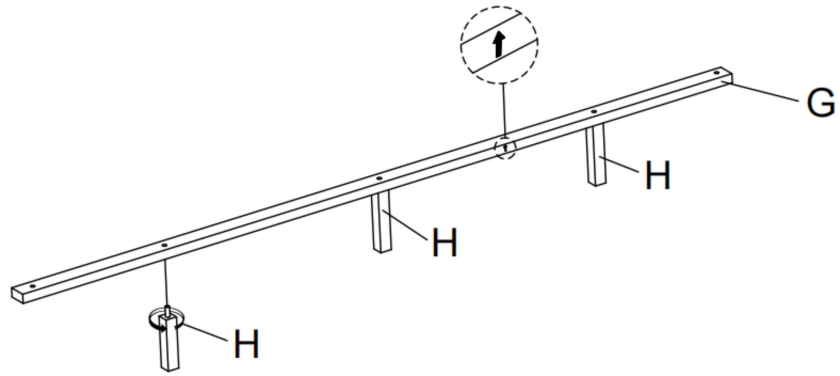
- Save all packaging until finished-

# Assembly Steps



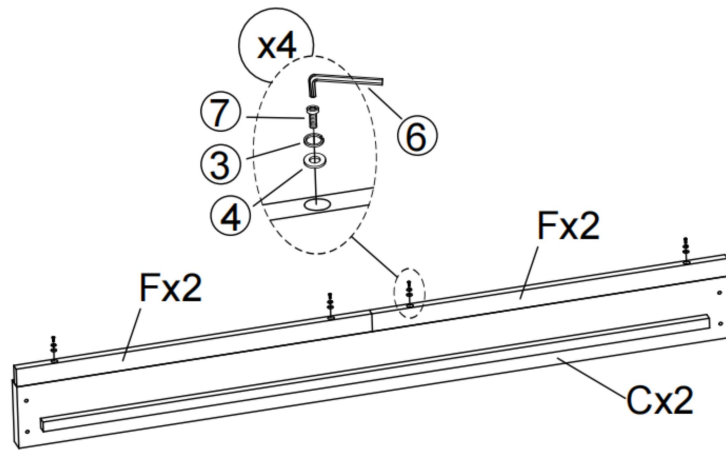
This Upholstered Bed has multiple parts and may require up to some 30 minutes to assemble. To give you an overview of the Upholstered Bed parts, the above picture is to help you put the various parts into perspective. Please read through the instructions below to familiarise yourself with the parts and steps before assembly.

**Step 1**



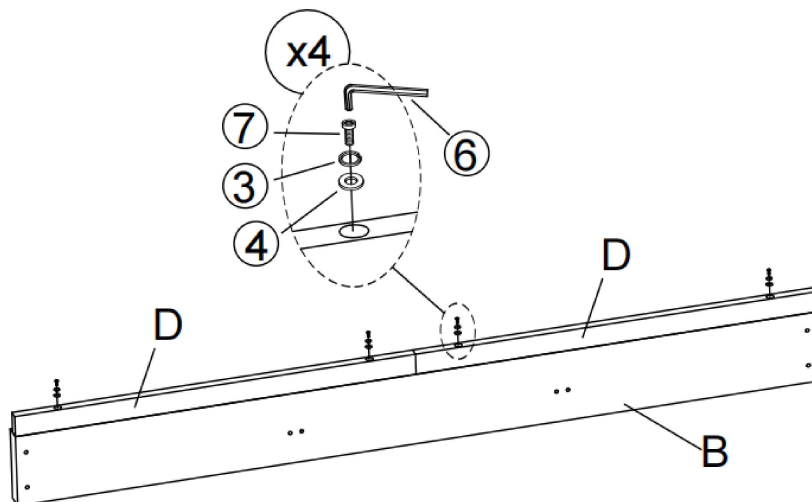
Attach Center Support Leg (H) to Center Rail (G), as pictured above.

**Step 2**



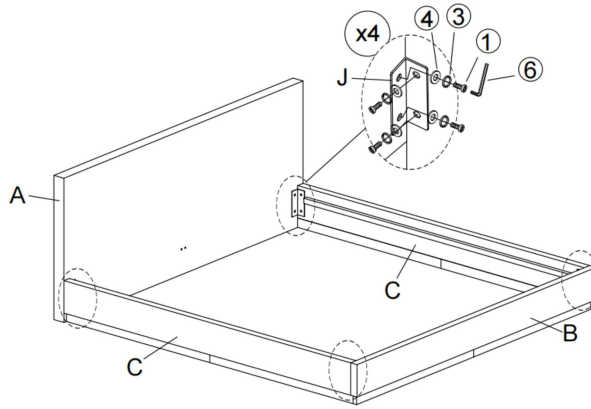
Attach Leg B (F) to Side Rail (C) by using Bolt (⑦), Spring Washer (③), Flat Washer (④) and Allen Wrench (⑥), as pictured above.

**Step 3**



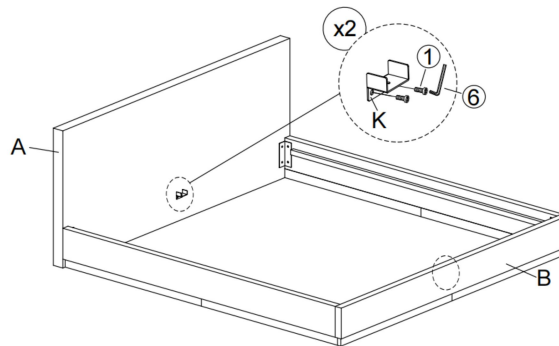
Attach Leg A (D) to Footboard (B) by using Bolt (⑦), Spring Washer (③), Flat Washer (④) and Allen Wrench (⑥), as pictured above.

### Step 4



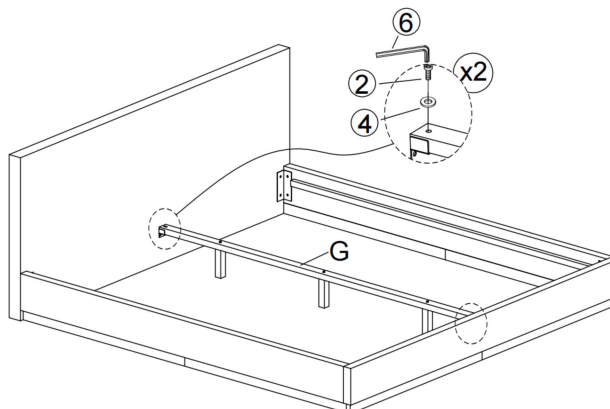
Attach L-Iron(J) to Side Rail (C), Headboard (A),Footboard (B) by using Bolt (①) ,Spring Washer (③), Flat Washer (④) and Allen Wrench (⑥), as pictured above.

### Step 5



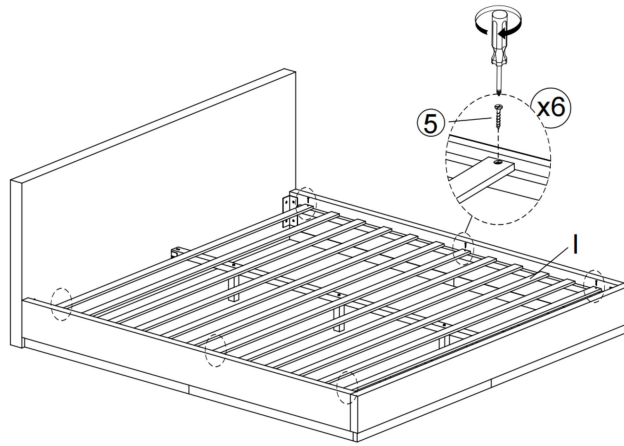
Attach Iron Bracket (K) to Headboard (A) and Footboard (B) by using Bolt (①) and Allen Wrench (⑥), as pictured above.

### Step 6



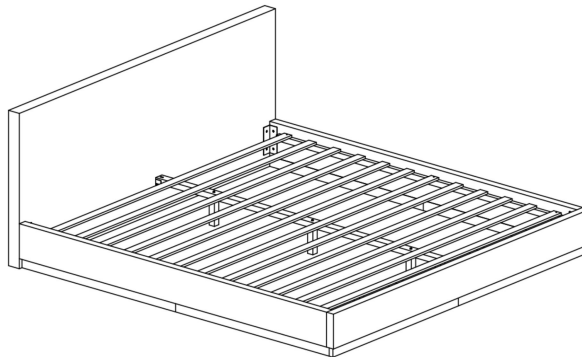
Attach Center Rail (G) to Iron Bracket (K) by using Bolt (②) ,Flat Washer(④) and Allen Wrench (⑥), as pictured above.

Step 7



Attach Bed Slat (I) to Side Rail (C) by using Screw(⑤) , as pictured above.

Step 8



Your Upholstered Bed is ready for use.  
This Upholstered Bed can only be used on a flat, level surface.