




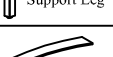

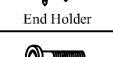


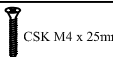

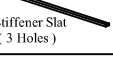
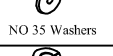
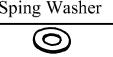
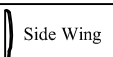


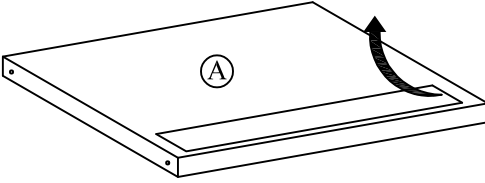


ASSEMBLY INSTRUCTION

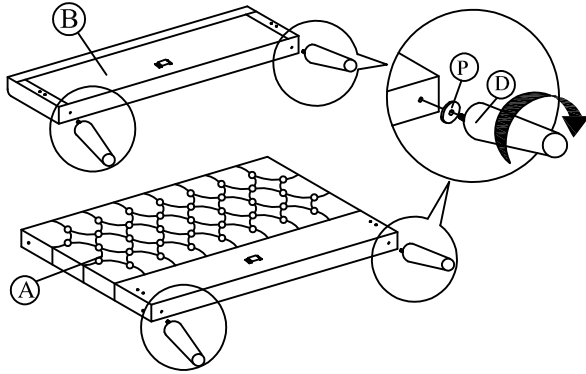
A		1 pc
B		1 pc
C		2 pcs
D		4 pcs
E		1 pc
F		2 pcs
G		28 pcs
H		14 pcs
I		28 pcs
J		2 pcs
K		4 pcs
L	L1 L2 M5 x 70mm M4 x 65mm	1 pc
M		2 pcs
N		3 pcs
O		1 pc
P		4 pcs
Q		4 pcs
R		4 pcs
S		2 pcs
T		2 pcs
U		8 pcs

Step 1 : Unzip the black non-woven fabric on the back of headboard (A) and take out the side wing (S).

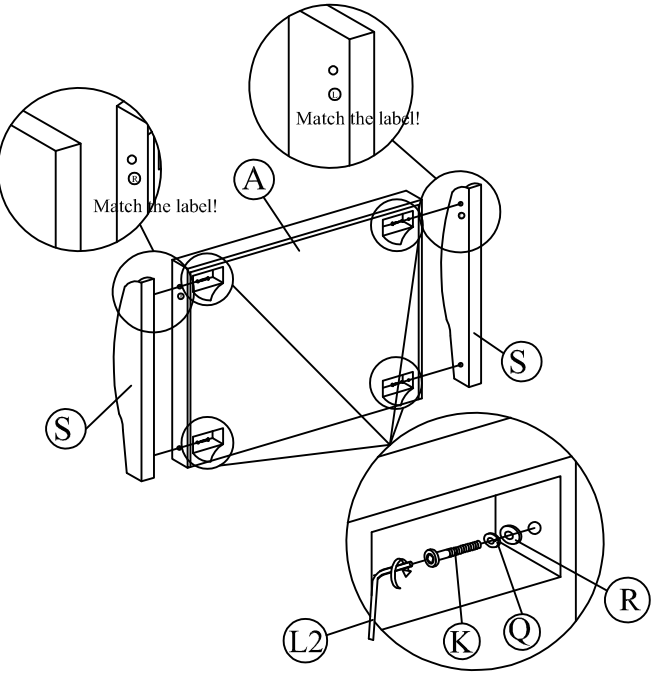


Back View !!

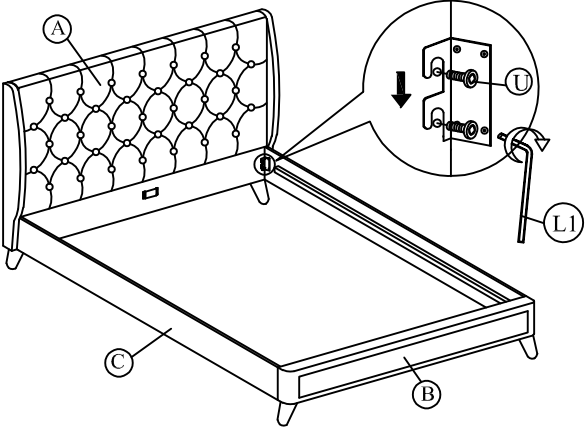
Step 2 : Install the legs (D) to footboard (B) and headboard (A).



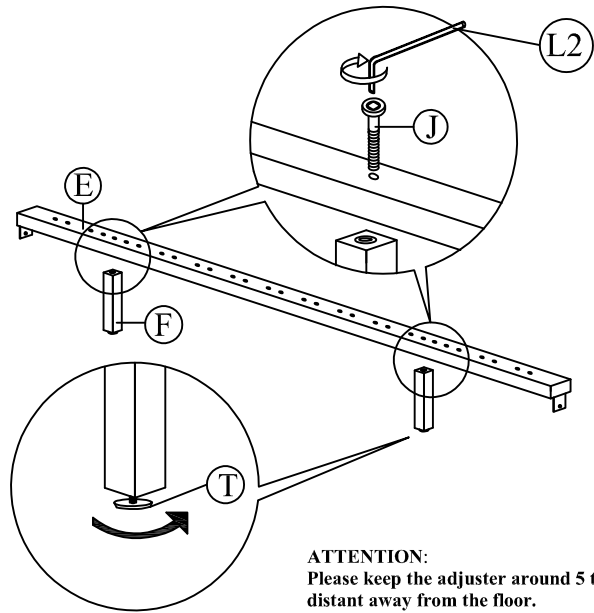
Step 3 : Tighten the side wing (S) to headboard (A) as shown. Tighten the legs (D) to footboard (B) as shown.



Step 4 : Attach side rail (C) to footboard (B) and headboard (A) by pushing the bracket down to fit it.

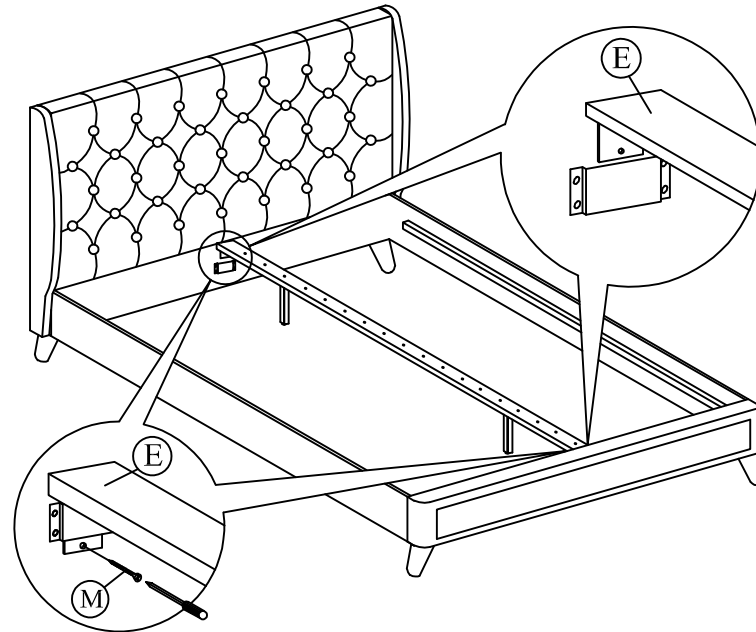


Step 5 : Attach the support legs (F) to the center rail (E) of the bed as shown.



ATTENTION:
Please keep the adjuster around 5 to 8 mm
distant away from the floor.

Step 6 : Slide the center rail (E) to the headboard (A) and footboard (B). Tighten screws (M) using screw driver (not included) to the headboard (A) and footboard (B).



Step 7 : Affix the Stiffener Slat (O) to the side rail support wood and the center rail (E). Tighten all the 4 corner ,follow by assembly of the slat holders with LVL slats as shown.

