
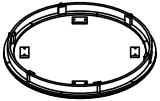
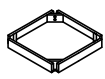
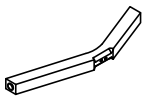









ASSEMBLY INSTRUCTIONS

ROUND DINING TABLE

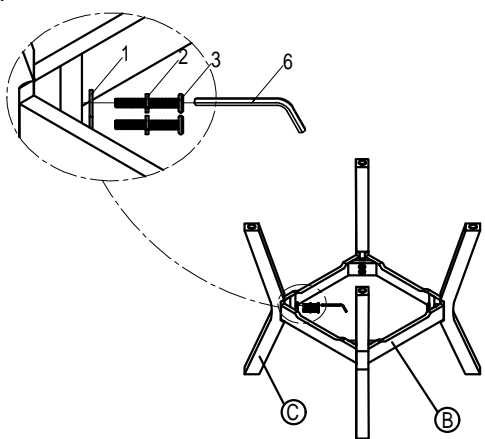
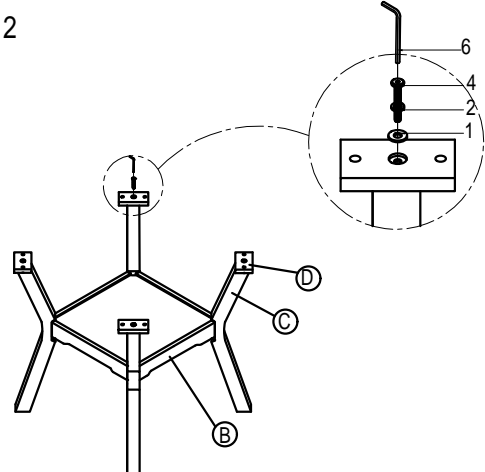
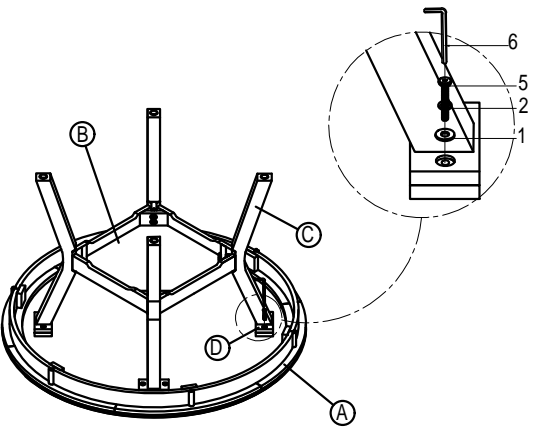

Thank you for purchasing this product. Please take time to read and follow the instructions below. Check that you have all parts and hardware before assembly. Parts apparently missing are often found in the packing materials. If you do not have all the parts listed, have your dealer contact us and they will be sent to you immediately.

 It is recommended to install protective pads under all legs and supports to avoid damage or scratches when placing furniture on or other hard surface, and to limit indentation and prevent discoloration if placing on carpet.

PART LIST			
A		Table Top	1
B		Table Shelves	1
C		Table Legs	4
D		Table Leg Base Panel	4

HARDWARE LIST				
1		Lock Washers	5/16" x 1/2" x 0.08"	20
2		Flat Washers	5/16" x 6/8" x 0.08"	20
3		Bolts	5/16" x 65mm	8
4		Bolts	5/16" x 35mm	4
5		Bolts	1/4" x 30mm	8
6		Allen key	4mm	1

HARDWARE SET ARE PACKED FOR ASSEMBLY

<p>STEP 1</p> 	<p>STEP 2</p> 
<p>STEP 3</p> 	<p>ASSEMBLY COMPLETED</p> 

DO NOT TIGHTEN BOLTS UNTIL COMPLETELY ASSEMBLED