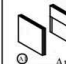
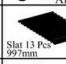






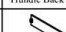
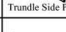


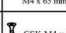

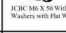


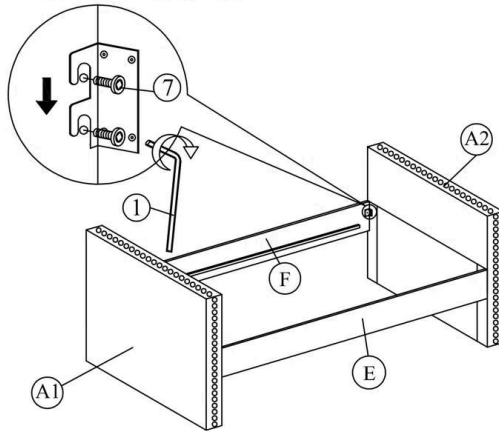


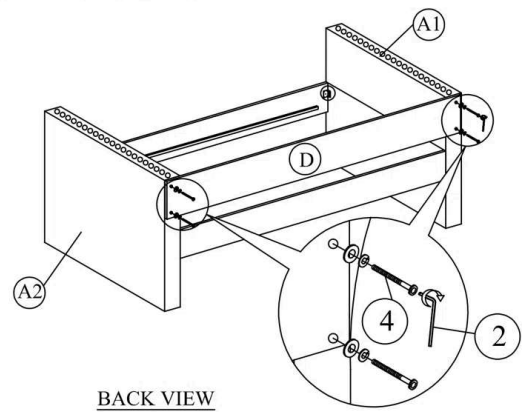
ASSEMBLY INSTRUCTION

(BOX 1) BOX OF ARM & SLAT		
A	 Arm	2 pcs
B	 Slat 13 Pcs 997mm	1 pc
C	 997mm Slat 13 Pcs	1 pc
(BOX 2) BOX OF BACK REST & SR		
D	 Back Panel	1 pc
E	 Front Side Rail (PU)	1 pc
F	 Back Side Rail	1 pc
G	 Trundle Front Panel (PU)	1 pc
H	 Trundle Back Panel	1 pc
I	 Trundle Side Panel	2 pcs
J	 Wooden Block	4 pcs
(BOX 3) FRAME HARDWARE LIST		
1	 M5 x 70 mm	1 pc
2	 M4 x 65 mm	1 pc
3	 CSK M4 x 32mm	64 pcs
4	 JCB M4 x 55 with Spring Washers with Flat Washers	4 pcs
5	 Roller	6 pcs
6	 CSK M4 x 16 mm	24 pcs
7	 JCB M8 X 20	8 pcs

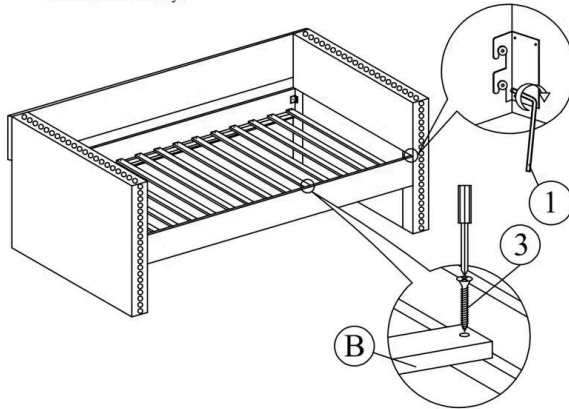
Step 1 : Attach side rail (E) & (F) to arm (A) by pushing the bracket down to fit it.



Step 2 : Attach the Back Panel (D) to the arm (A) as shown.



Step 3 : Tighten the 4 Corner with Allen Key (1). Install the slats to side rail. Tighten the slats with CSK screw (3). The distance of the slats should be sufficient to obtain desirable bed stability.



Step 4 : Attach trundle side panel (I) and trundle front panel (G) to trundle back panel (H) by pushing the bracket down to fit it.

