


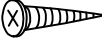
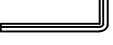
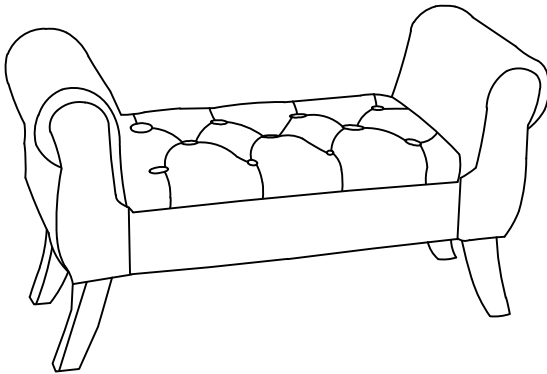



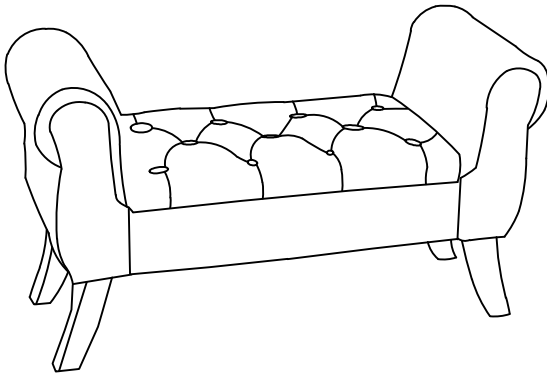


# ASSEMBLY INSTRUCTION

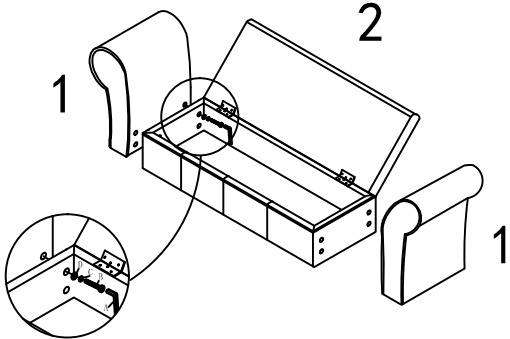
## PARTS IDENTIFICATION

## PARTS IDENTIFICATION

No	Drawing	Description	Qty	No	Drawing	Description	Qty
1		Armrest	2	3		Leg	4
2		Seat	1	E		Screw	16
A		Allen Wrench	1	<p>Complete assembly</p> 			
B		Bolt	8				
C		Lock Washer	8				
D		Folt Washer	8				

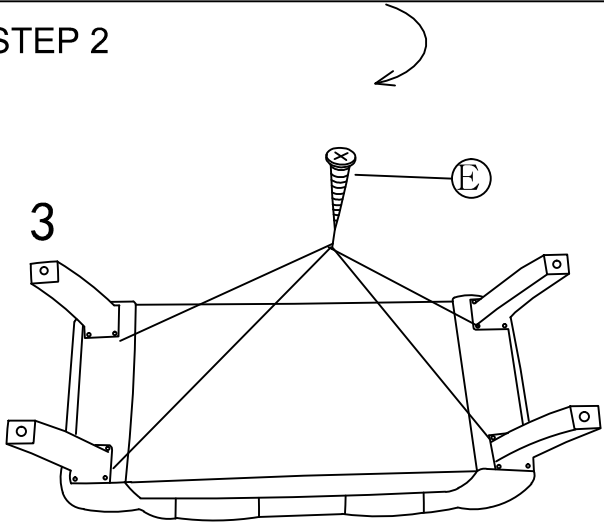


### STEP 1



Attach the armrest (1) to the seat (2) using (A, B, C, D) to fix

### STEP 2



Attach the Leg (3) to the seat (2) using (E) to fix