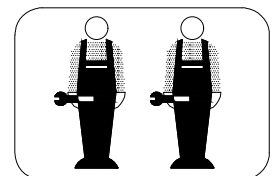
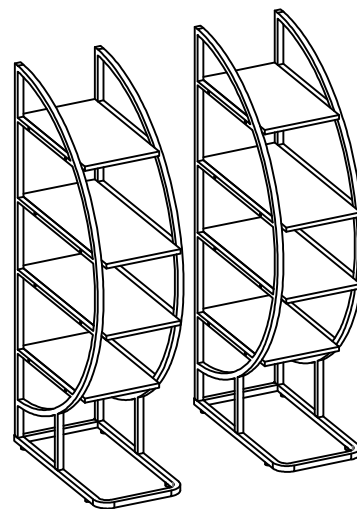
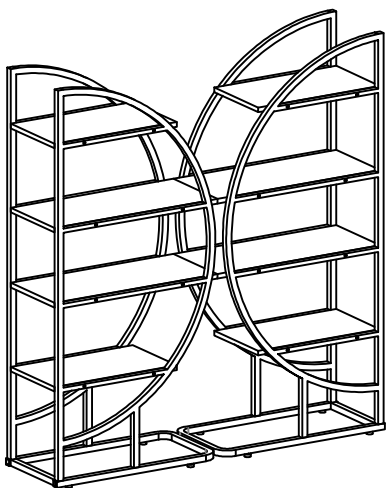
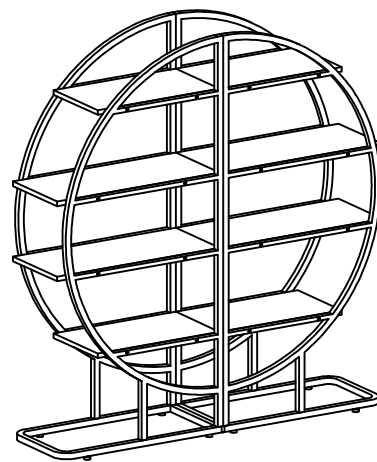
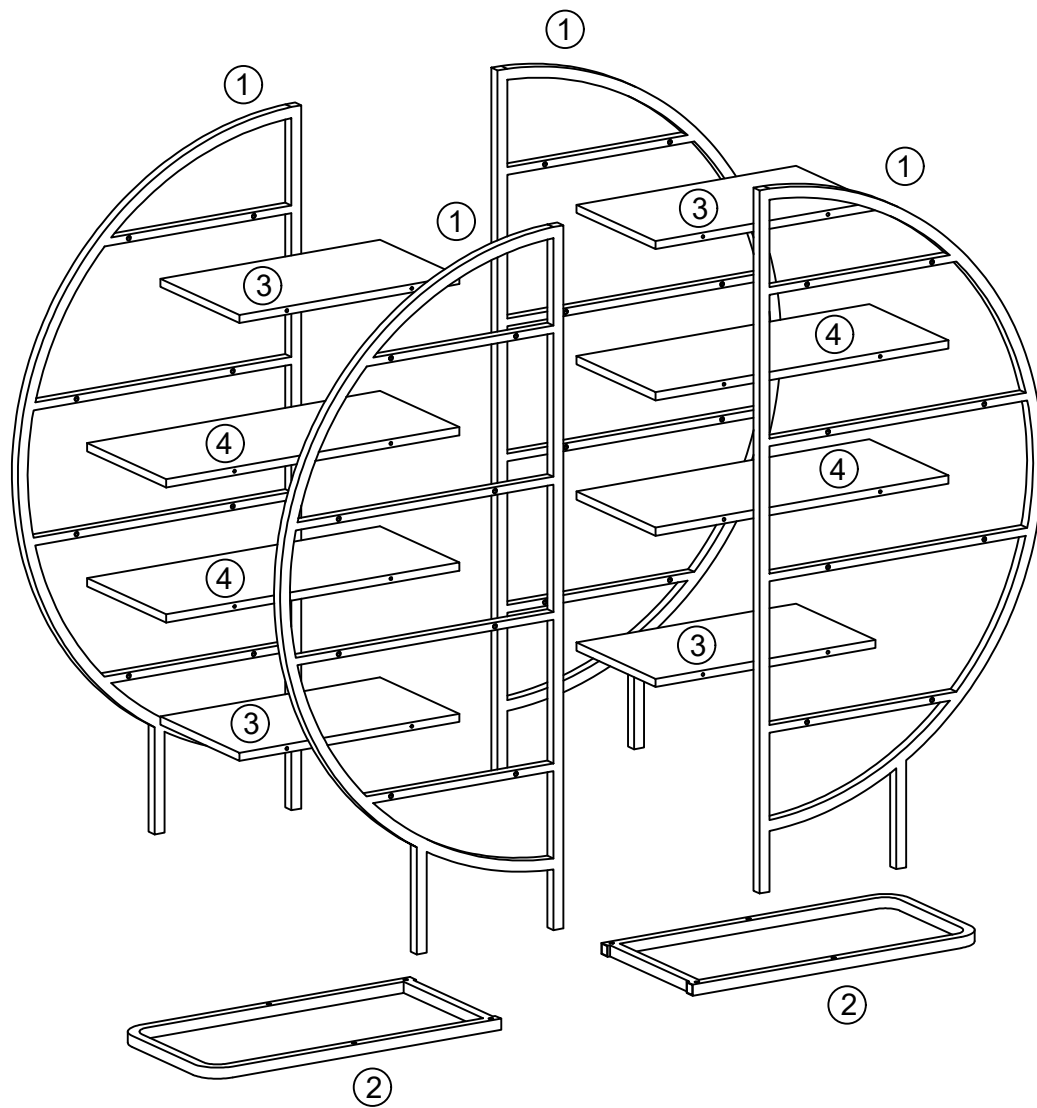


ASSEMBLY INSTRUCTIONS

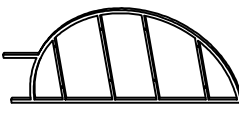

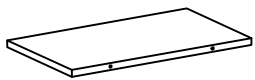
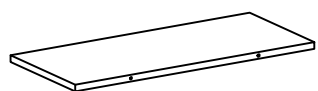
WF300940

Various placement
options available

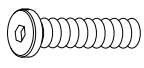


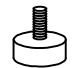







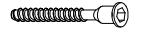
Part List

			
①×4pcs	②×2pcs	③×4pcs	④×4pcs

Hardware List

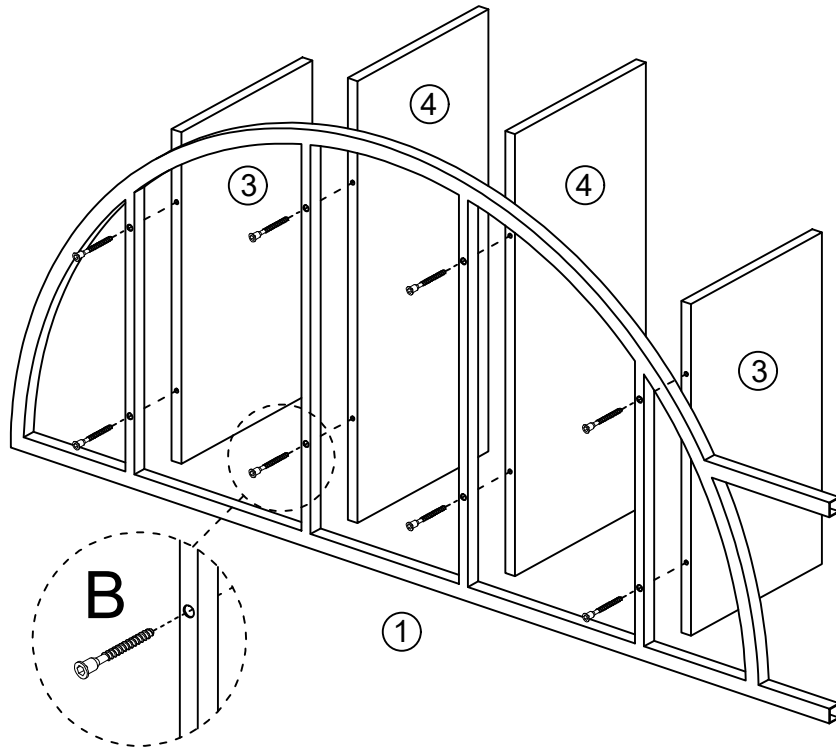
 M6×40mm	 φ7×50mm	 4×35mm	
Ⓐ×8pcs	Ⓑ×32pcs	Ⓒ×4pcs	Ⓓ×8pcs
 M4	 Φ6×30mm		
Ⓔ×1pc	Ⓕ×4pcs	Ⓖ×4pcs	

Step 1



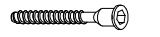
φ7x50mm

(B)×16pcs



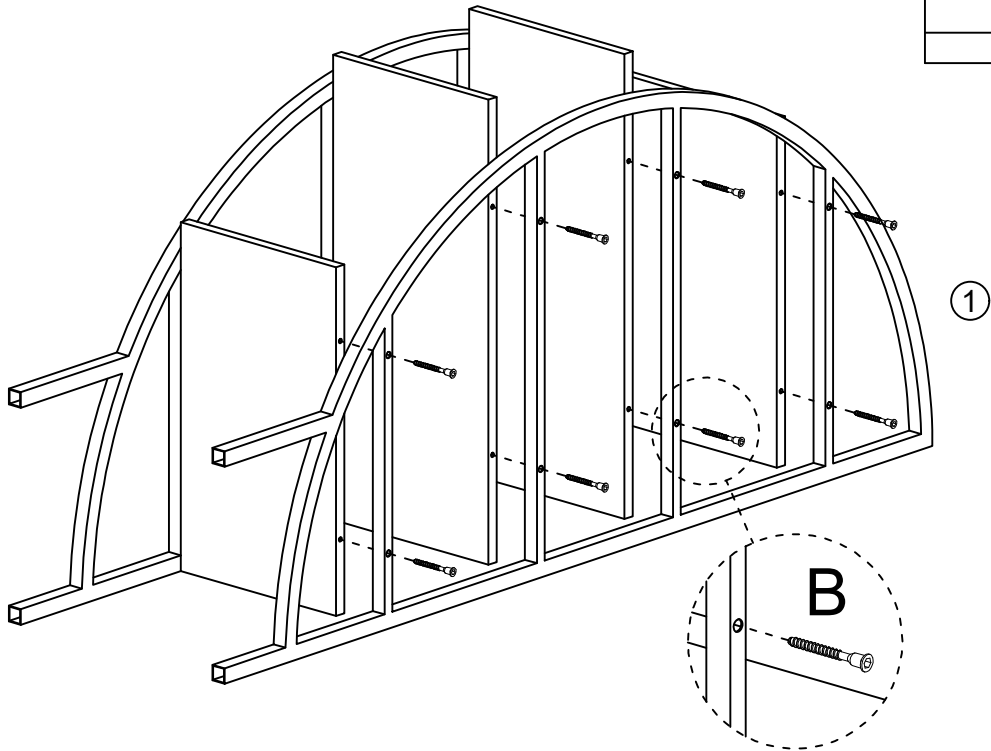
X2

Step 2



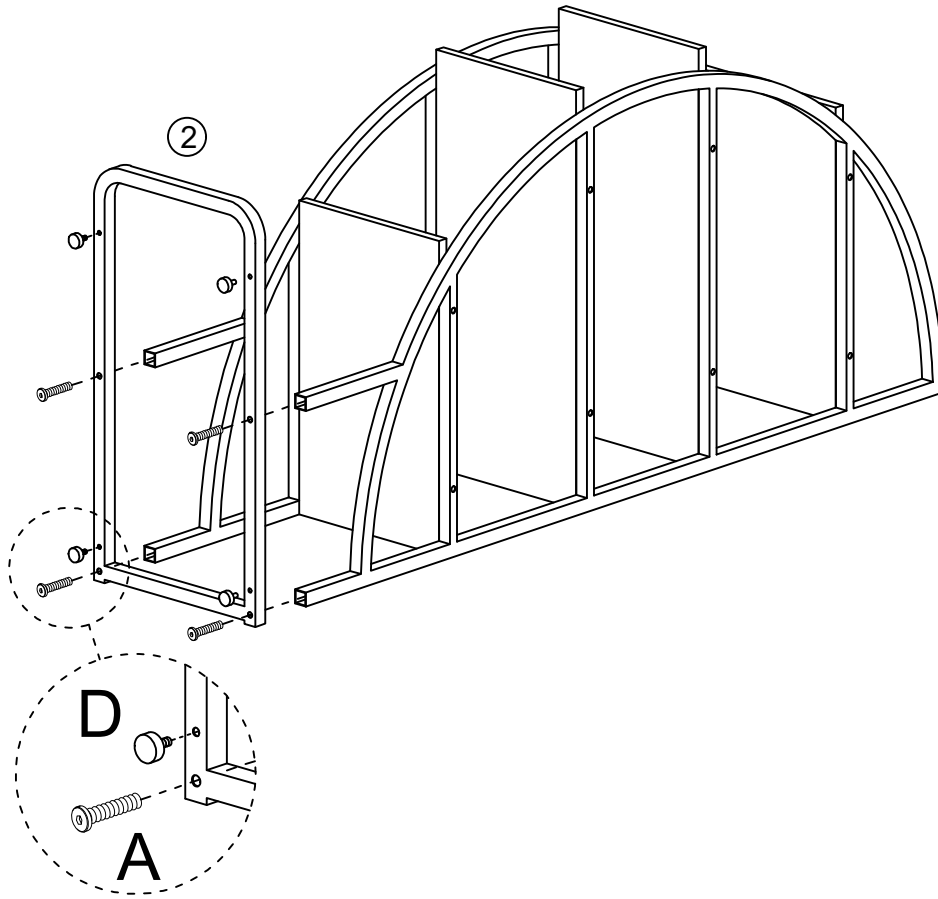
φ7x50mm

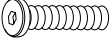
(B)×16pcs



X2

Step 3




M6×40mm

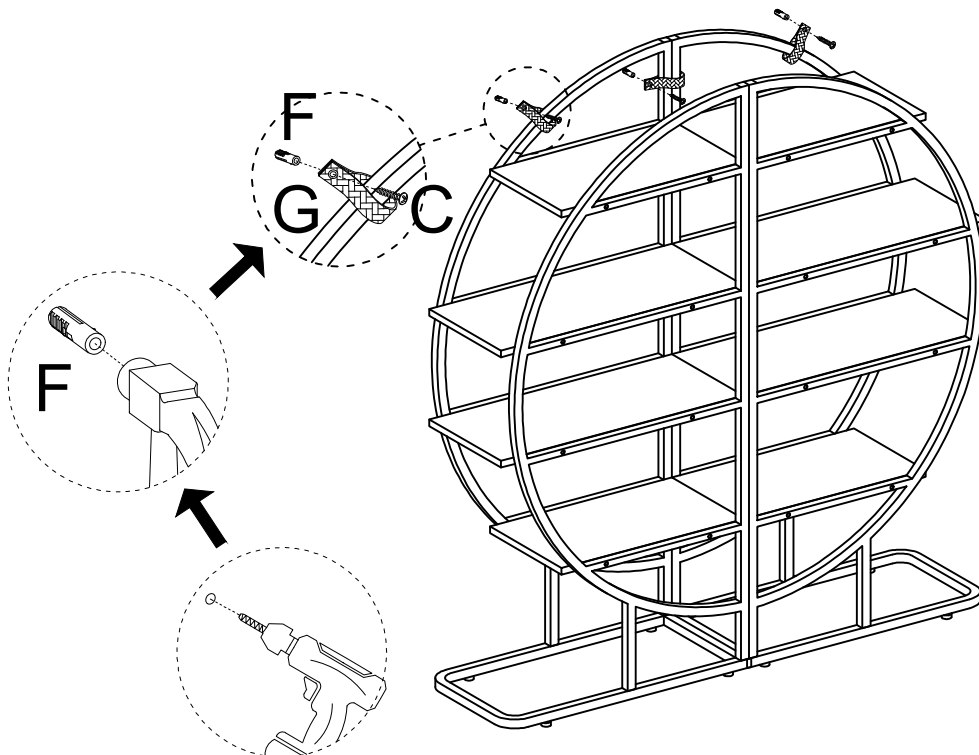
(A) ×8pcs

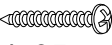


(D) ×8pcs

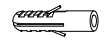
X2

Step 4 STYLE 1




4x35mm

(C) ×3pcs

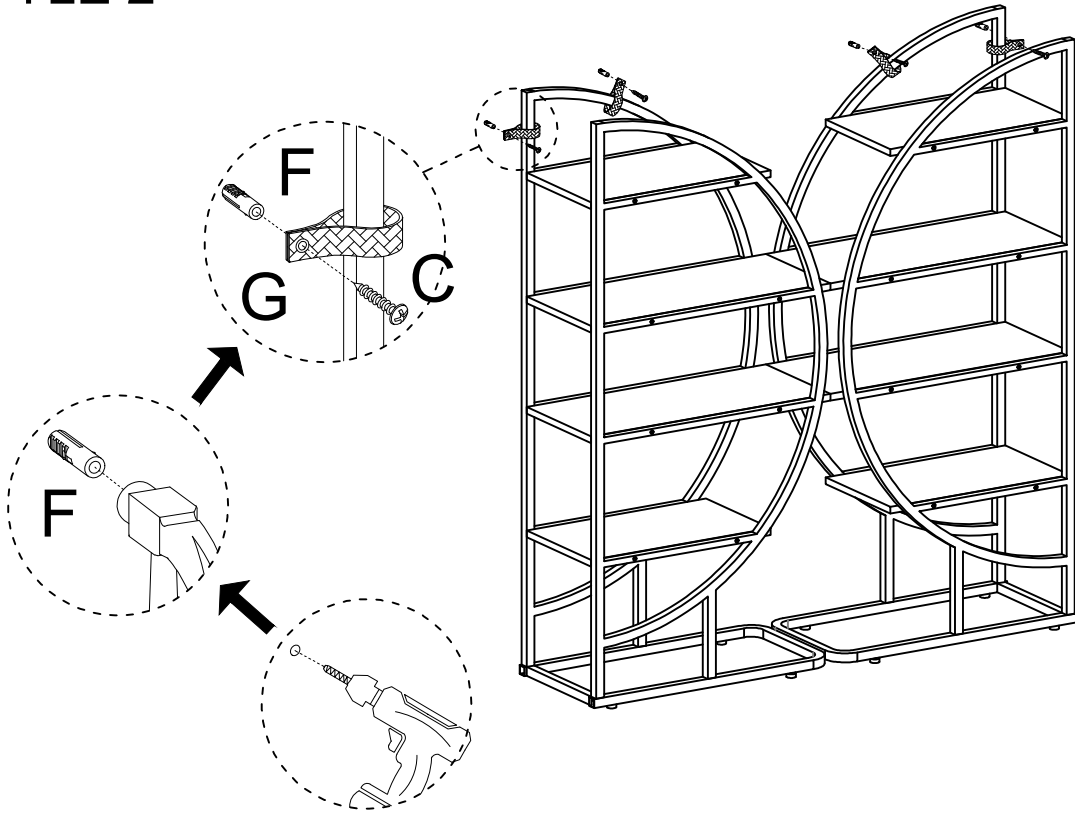

Φ6x30mm

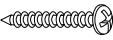
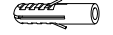

(F) ×3pcs



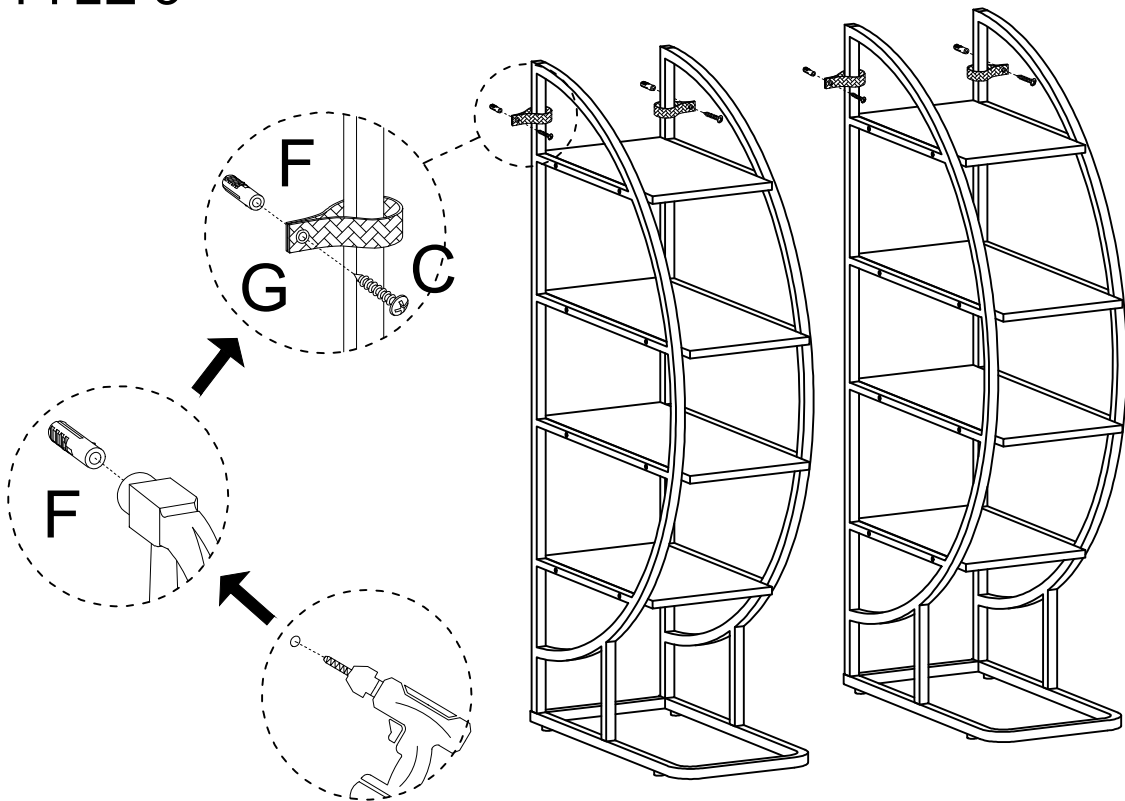
(G) ×3pcs

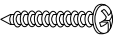
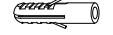

Step 4
STYLE 2




4x35mm
ⓐ×4pcs

Φ6x30mm
ⓑ×4pcs

ⓒ×4pcs

Step 4
STYLE 3




4x35mm
ⓐ×4pcs

Φ6x30mm
ⓑ×4pcs

ⓒ×4pcs