

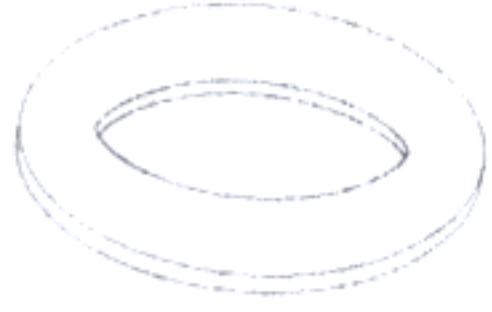

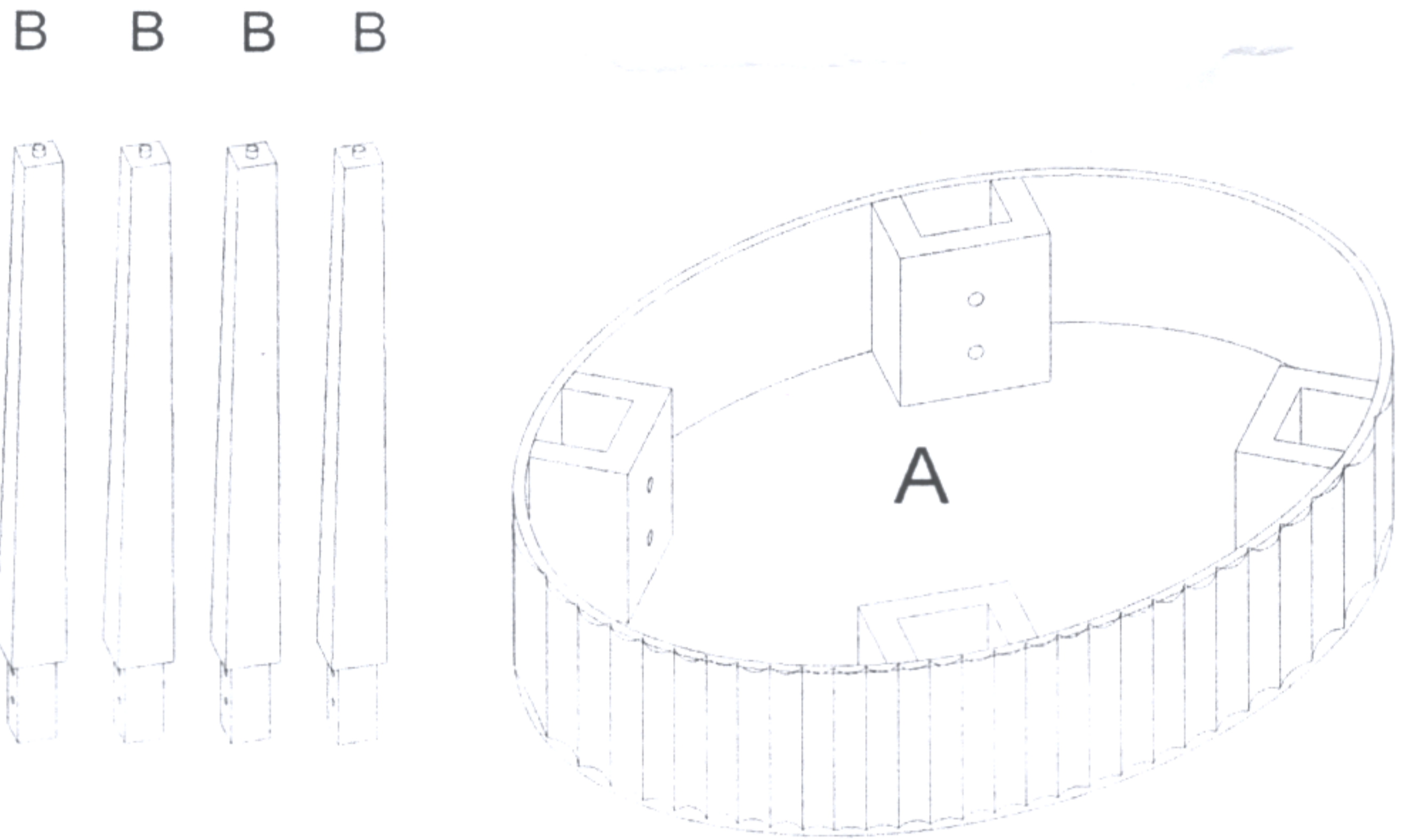
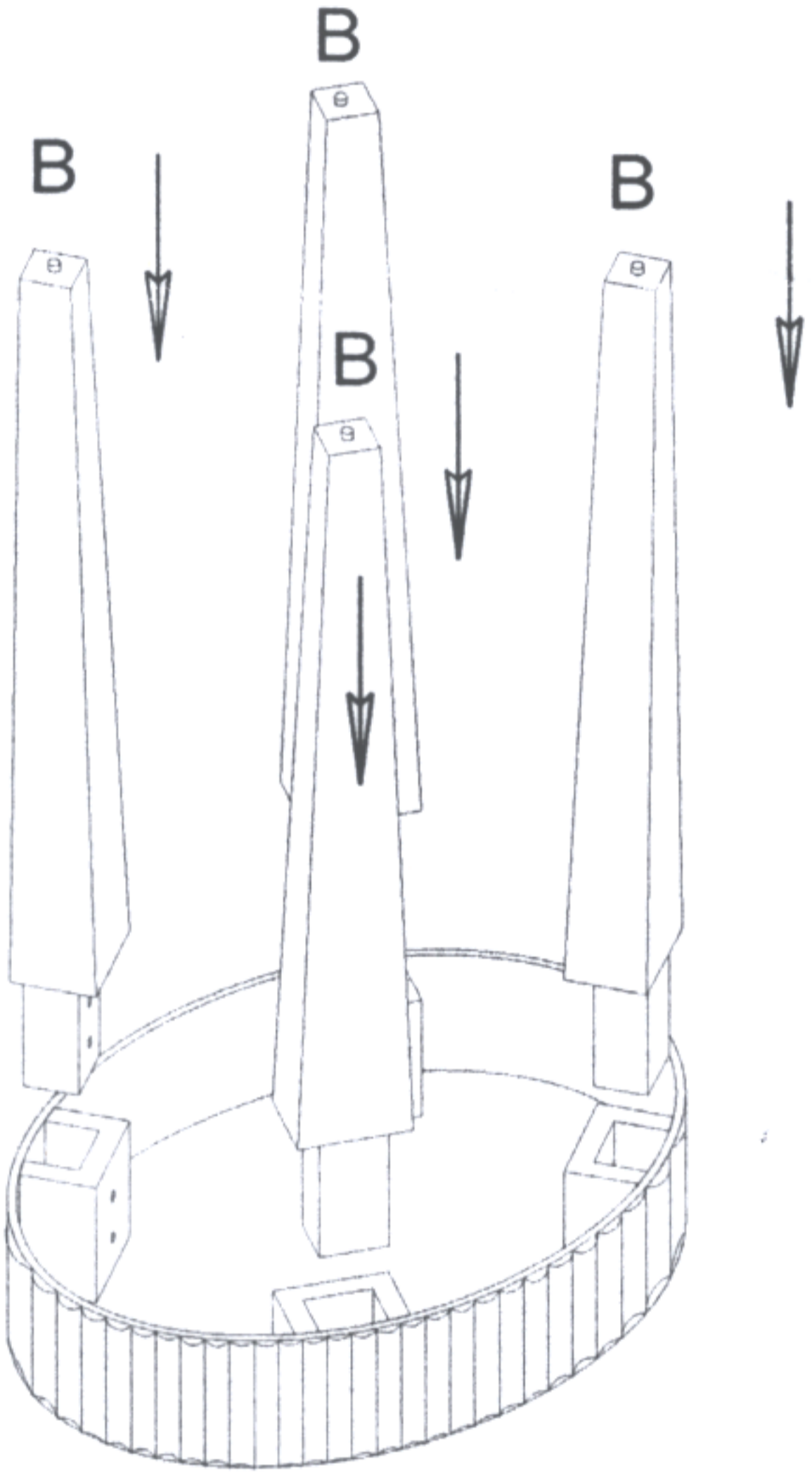
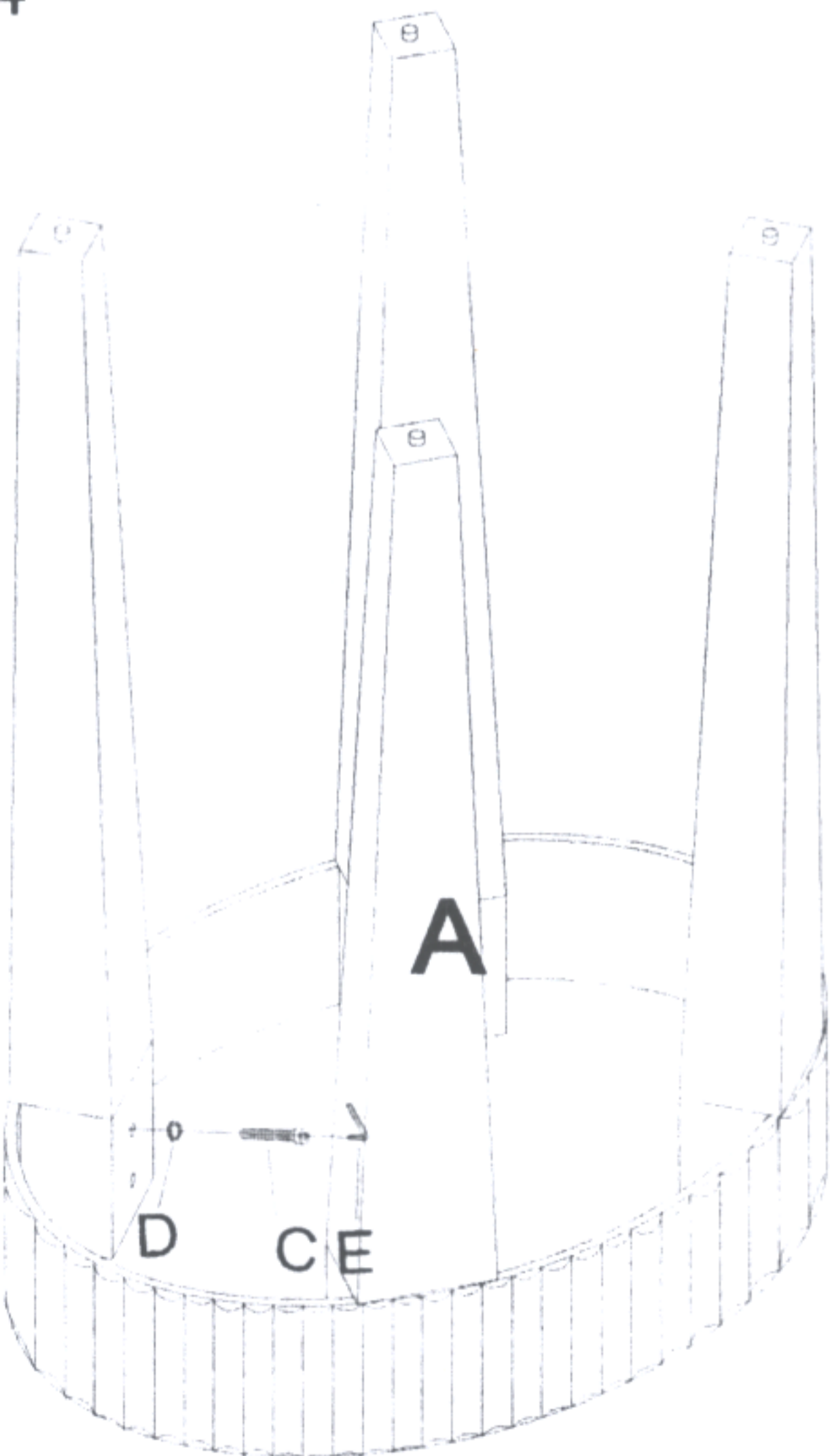


# LEGS ASSEMBLING INSTRUCTION

<p>B leg</p>  <p>4pcs/units</p>	<p>C bolt</p>  <p>8pcs/units</p>	<p>D flat washer</p>  <p>8pcs/units</p>	<p>E Allen Key</p>  <p>1pc/units</p>
--	---	--	---

Step 1: Check if all the parts listed are included in the carton. Put them on a clean and soft place to identify them first

Step 2: Turn the table body(A x 1pc) upside down on a soft place. Please be careful. Insert the legs(B x 4pcs) in the slot of the table body as shown. Use bolts (C x 8pcs), flat washer(D x 8pcs) and Allen Key(E x 1pc) to attach the legs to the table body. After fully tightening all fixing, carefully turn the unit upright .

<p>STEP 1/ETAPE 4</p> 	<p>STEP 2/ETAPE 4</p> 
<p>STEP 3/ETAPE 4</p> 	<p>STEP 4/ETAPE 4</p> 