

ASSEMBLY INSTRUCTIONS



◆ Inspect the wire insulation for any cuts, abrasions, or exposed copper that may have resulted during shipping. If there is a defect in the wire, do not attempt installation.

◆ Before starting installation of this fixture or removal of a previous fixture, disconnect the power by turning off the circuit breaker or by removing the fuse at the fuse box.

TOOLS REQUIRED



Ladder

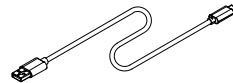
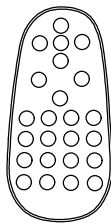
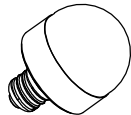
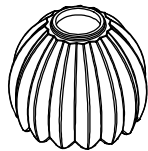
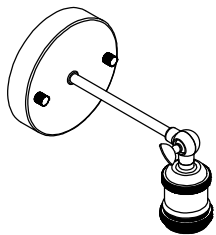


Safety glasses



Phillips screwdriver

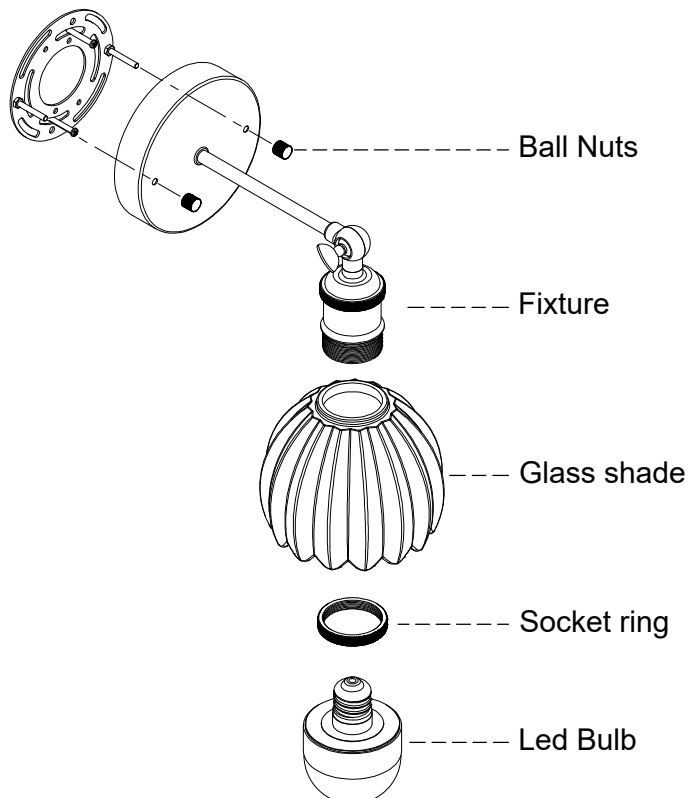
HARDWARE INCLUDED

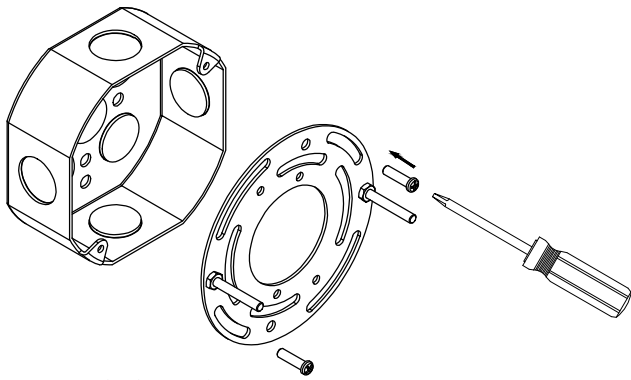


*PARTS SHOWN MAY DIFFER SLIGHTLY PER LIGHT FIXTURE



MOUNTING OPTION 1 for using attached bulb that comes with the product.
MOUNTING OPTION 2 for using normal medium base bulb.



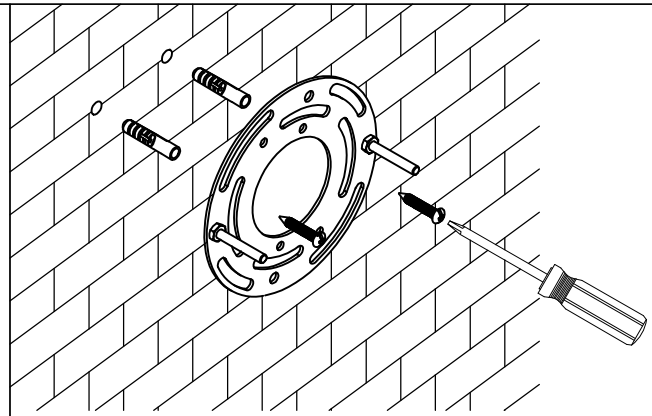


MOUNTING OPTION 1

(With junction box)

STEP 1a

Unscrew the ball nuts from the mounting unit.
Use the mounting screws to attach the mounting unit to the junction box (not included).

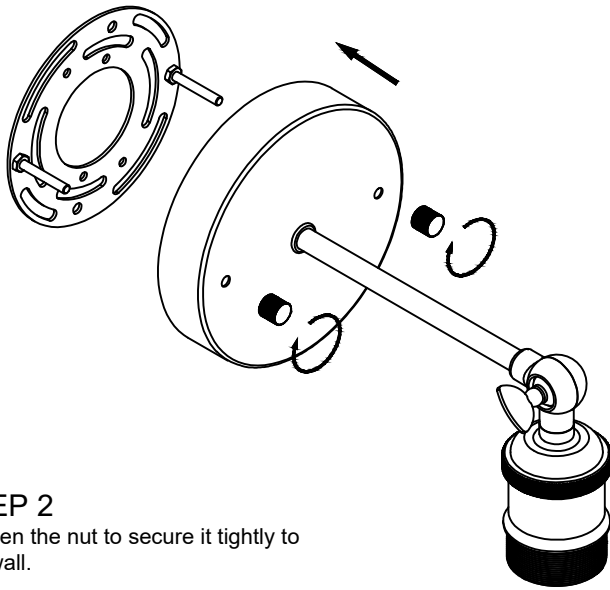


MOUNTING OPTION 2

(No junction box)

STEP 1b

If there is no junction box, you can also install the wall lamp directly by fixing the mounting plate on the wall.

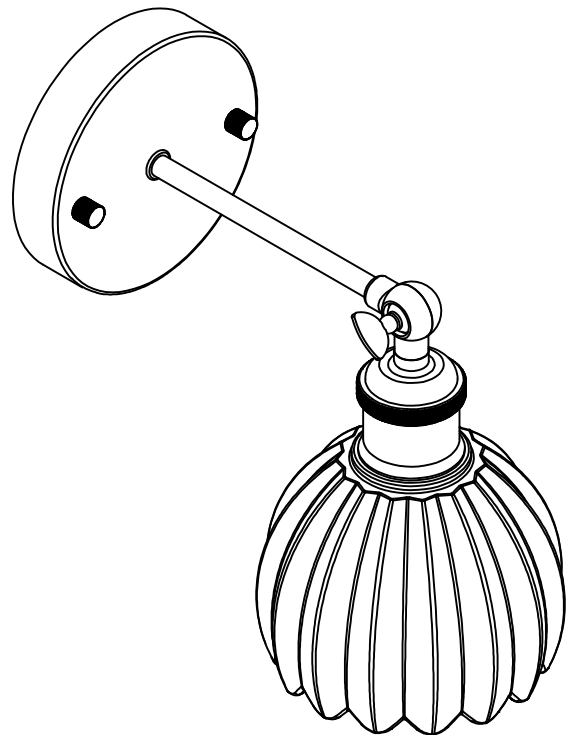


STEP 2

Tighten the nut to secure it tightly to the wall.

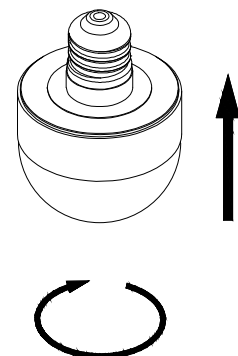
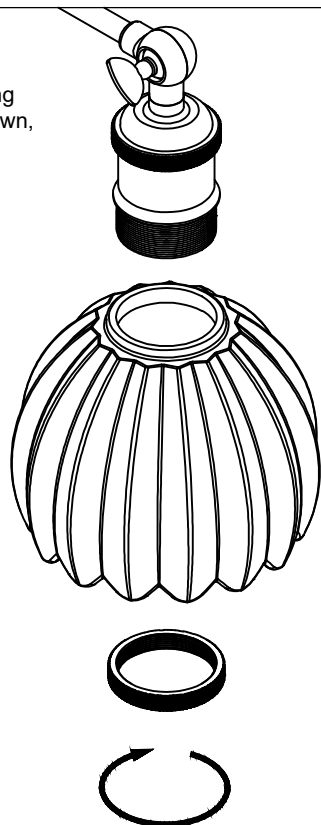
STEP 4

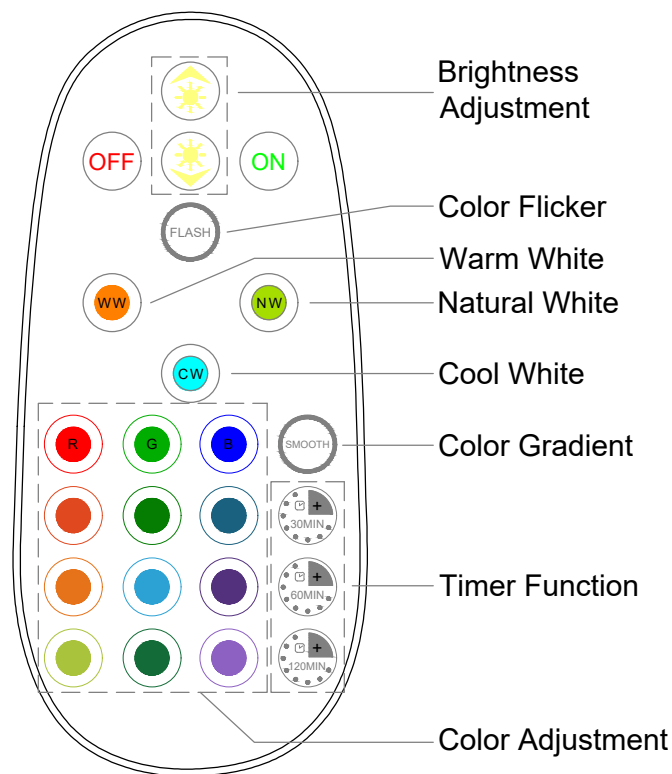
Remove the socket ring from the fixture.
Attach the glass shade onto fixture by socket ring.
Install RGB bulb



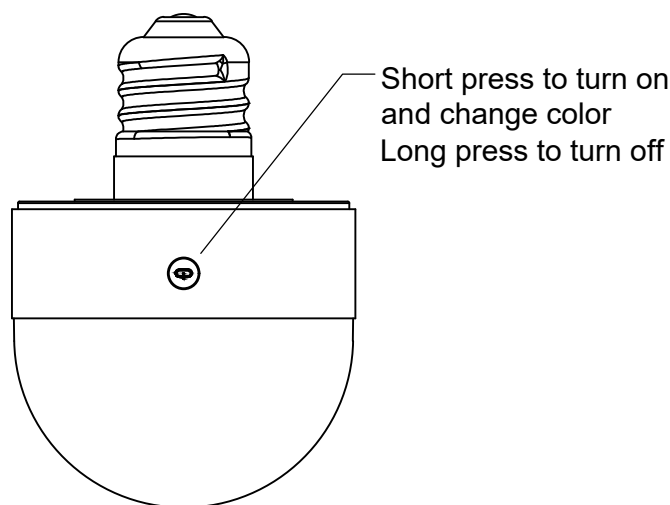
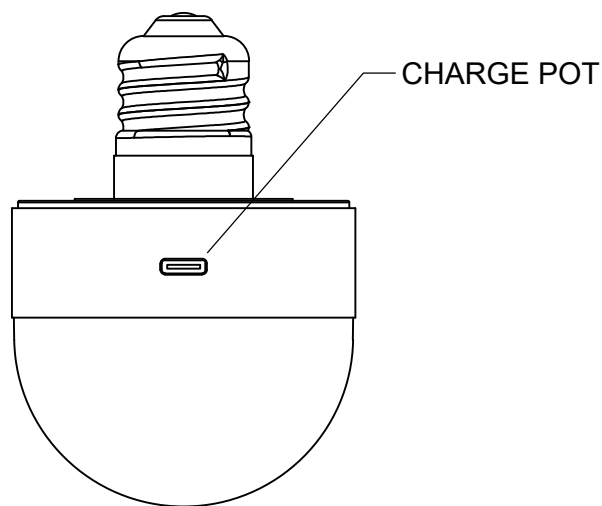
STEP 3

Attach the fixture to the mounting unit through screw holes as shown, and secure it with ball nuts.





LED Remote Control



Package Contents

- Rechargeable tri-colour LED Remote Control Timer Bulb
- lamp holder
- Remote Controller
- Charging Cable
- User Manual

Product Features

- Color Changing: Supports 3000/4000/6000K color temperature.
- Remote Control: Easy to adjust brightness, color, and mode from a distance.
- Timer Function: Set the light to turn off at specific times.
- Rechargeable Battery: Environmentally friendly with long battery life.

Specifications

- Charging Voltage: DC5V
- Power Consumption: 5W
- Luminous Flux: 400 lumens
- Battery Capacity: 2000 mAh
- Charging Time: Approximately 2~4H
- Operating Temperature: -20°C to +40°C
- Service Life: Up to 50,000 hours

Quick Start Guide

1. Charging the Bulb:

- Connect the charging cable to the bulb and plug it into a USB power source.
- The indicator light will turn red during charging and green when fully charged.

2. Installation:

- Screw the bulb into a standard socket.
- Remove the plug and use the bottom magnet to attach it to any magnetic metal.
- Remove the plug and place it on any flat desktop

3. Using the Remote Control:

- Use the buttons to adjust the color, brightness, and set timers.
- For more advanced settings, refer to the detailed instructions below.

Detailed Operation

- **Color Adjustment:** Tap the color icon to select your preferred color.
- **Brightness Adjustment:** Use the '+' and '-' buttons to increase or decrease brightness.
- **Setting Timers:** Select the desired time and press the corresponding button.
- **Memory Function:** The bulb remembers the last used settings upon turning on again.

Troubleshooting

- **Bulb Does Not Turn On:**
 - o Check if the bulb is properly installed and the power is on.
 - o Ensure the battery is charged.
- **Remote Not Working:**
 - o Replace the batteries in the remote control.
 - o Try resetting the remote by removing the batteries for a few minutes and reinserting them.
 - o Make sure you are within the operating range of the remote (up to 5 meters).
 - o Ensure that there are no obstructions or strong current interferences between the remote control and the light bulb.

Warranty Information

- This product comes with a 3 years warranty.
- For warranty claims, please contact our customer support with your purchase receipt and details of the issue.

Disposal

- This product contains batteries, please do not dispose of them at will to avoid polluting the environment.
- Please dispose of this product responsibly according to local regulations.