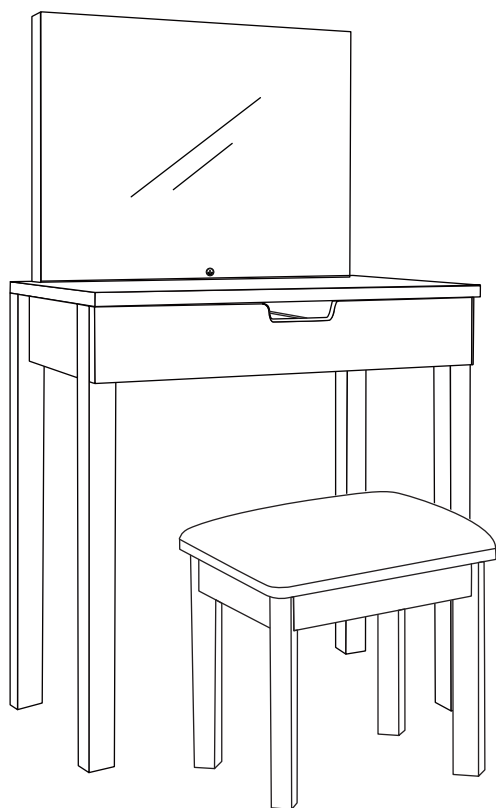


Assemble instruction for dressing table



Two adults must be required. Before you begin, please follow the instruction step by step.



CAUTION:

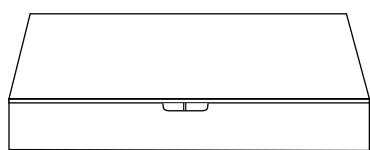
Two adults are required for assembly of this product on a clean and flat surface with roughness. Take out it could and replace with to avoid panel being scratched.

Maintenances:

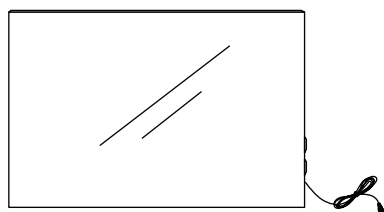
1. Please read the instruction carefully before assembling.
2. Please assemble the product on a clean and flat surface.
3. Two adults are required.

Note: It need E27 Linear adjustment bulb if you want to replace the bulb.

Parts list



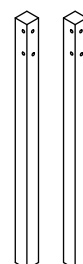
① 1pc



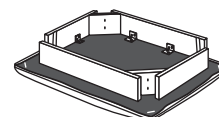
② 1pc



③ 2pcs



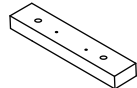
④ 2pcs



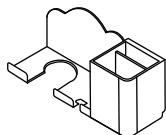
⑤ 1pcs



⑥ 4pcs

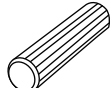


⑦ 1pc



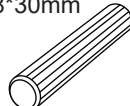
⑧ 1pc

8*20mm



⑨ 2pcs

8*30mm



⑩ 10pcs

6*35mm



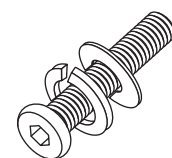
⑪ 2pcs

8*30mm

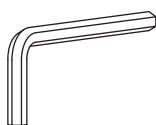


⑫ 8pcs

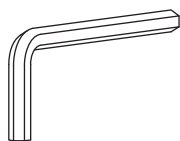
8*45mm



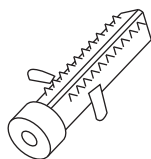
⑬ 8pcs



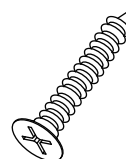
⑭ 1pcs



⑮ 1pcs

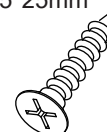


⑯ 2pcs



⑰ 2pcs

3.5*25mm



⑱ 4pcs

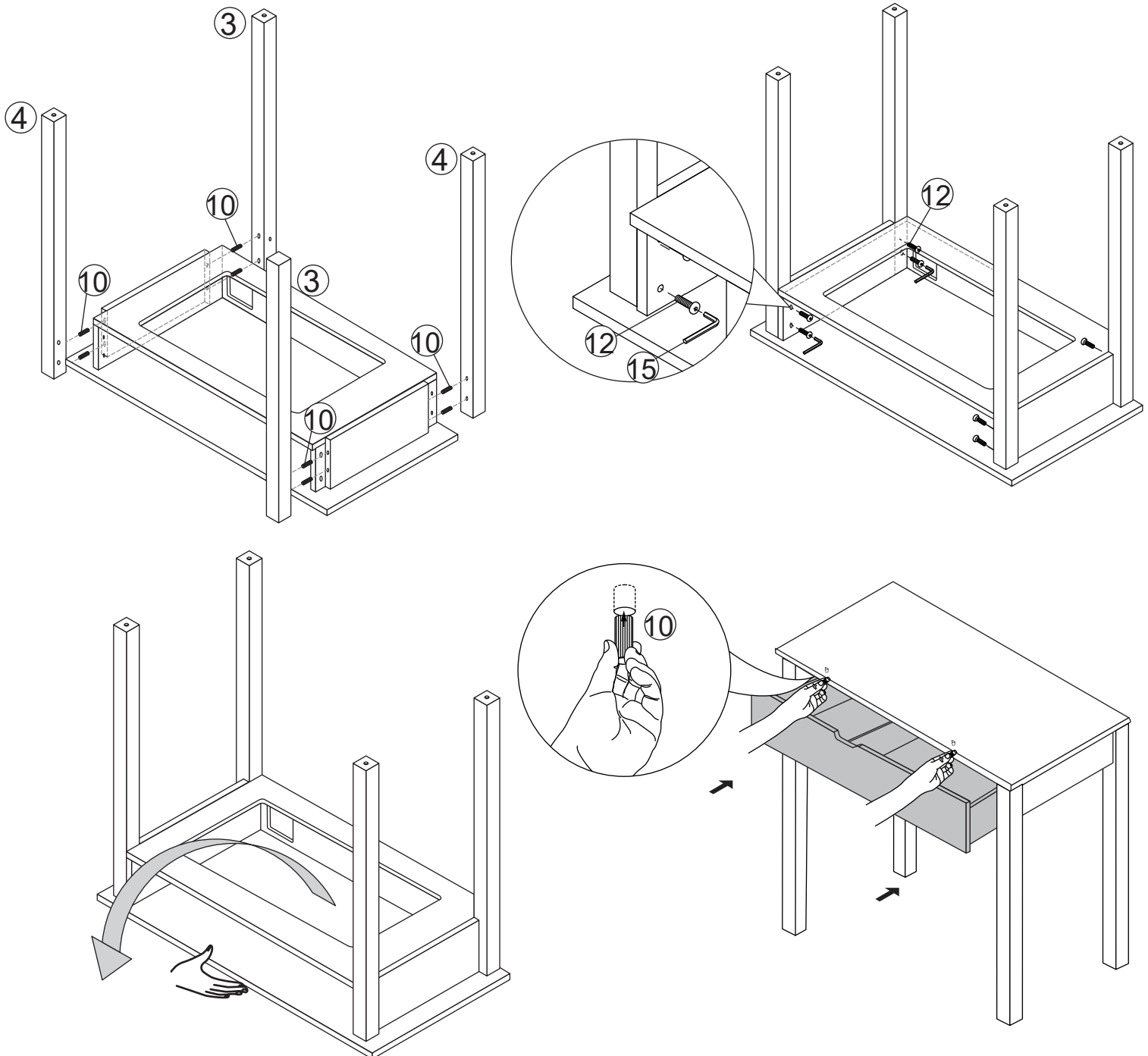
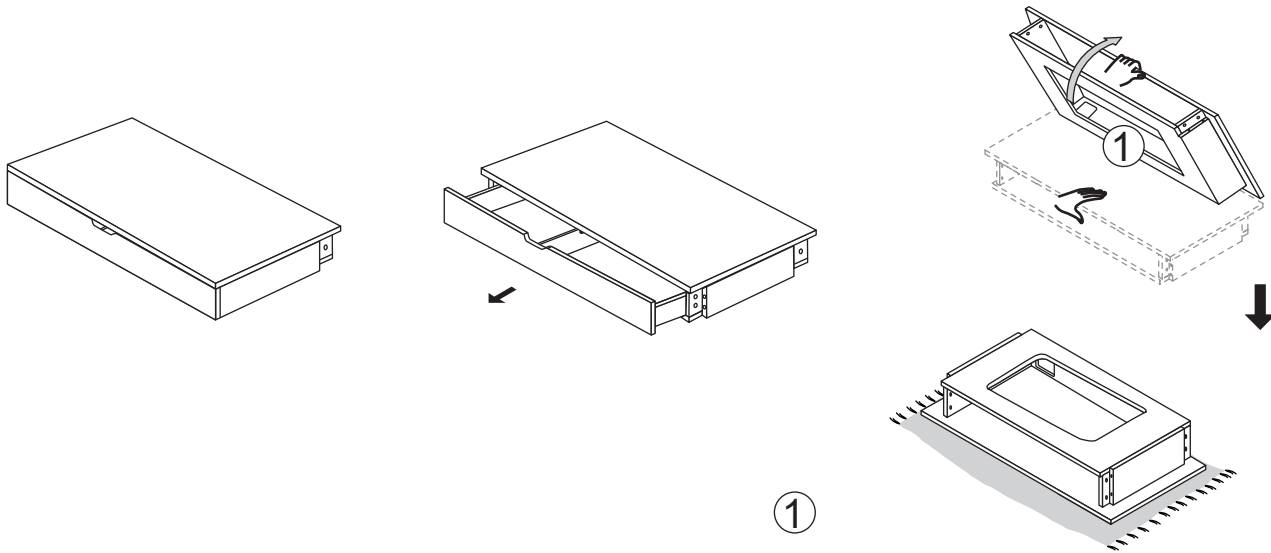
Tool Required



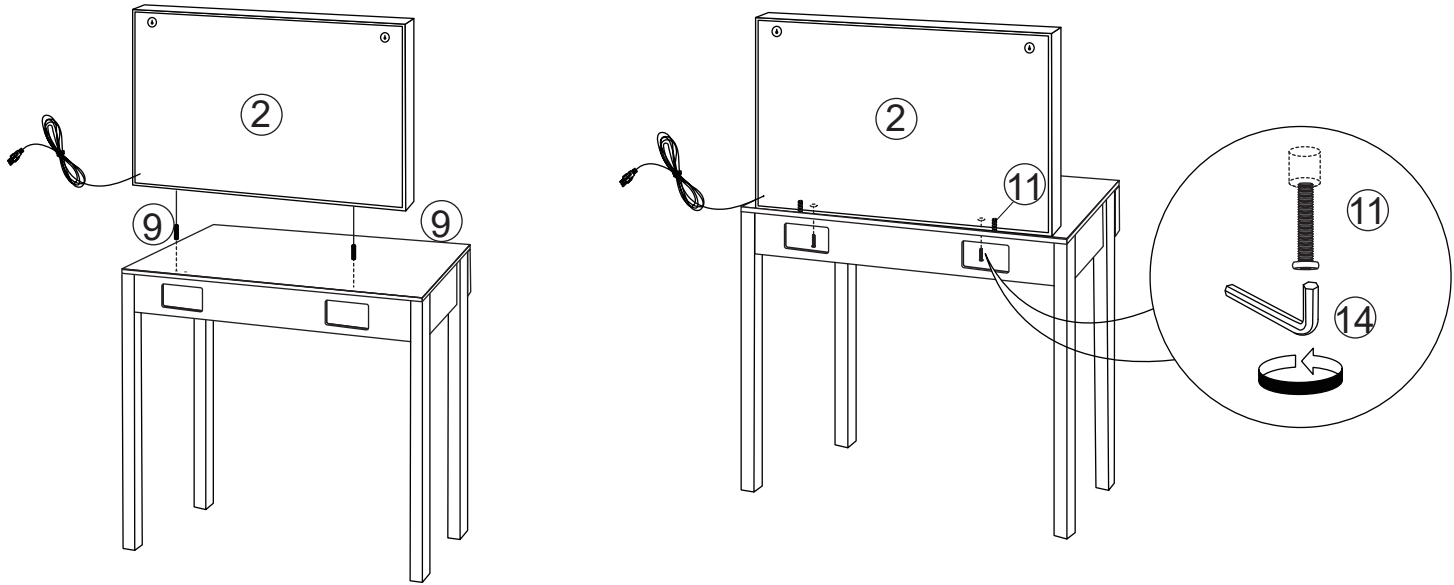
Two adults are required for assembly of this product

Please read the instruction carefully before assembling the table.

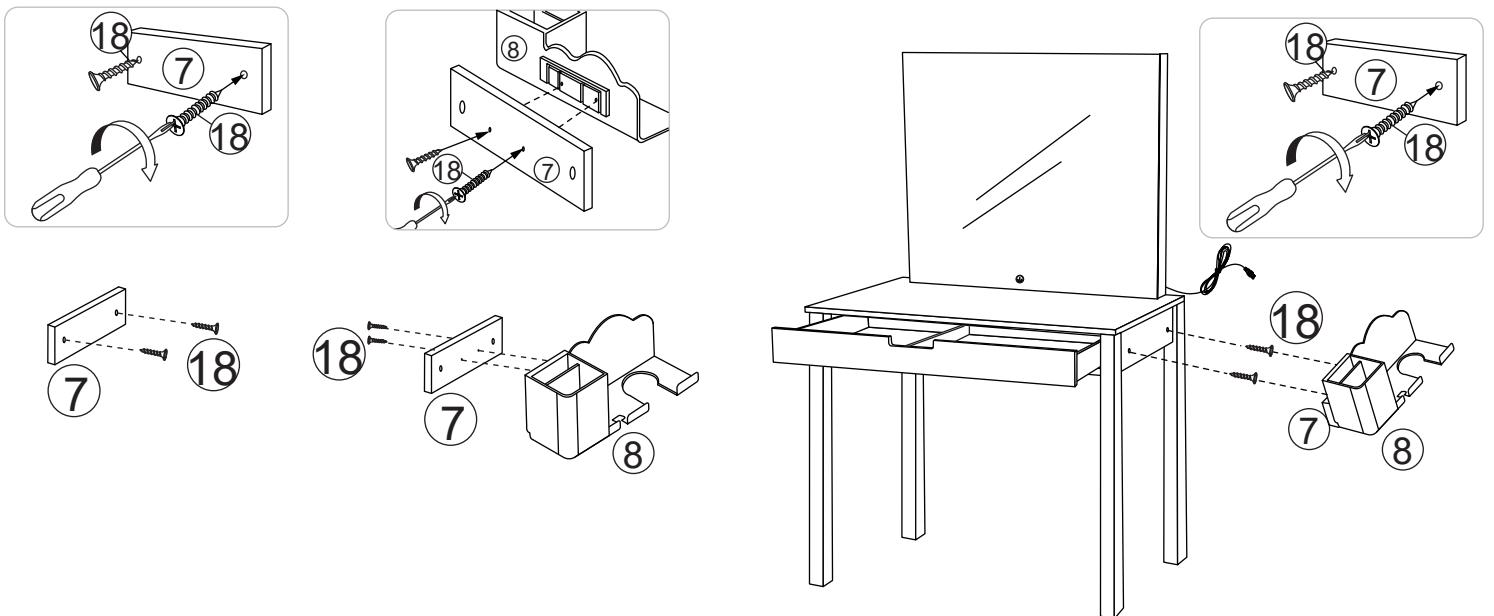
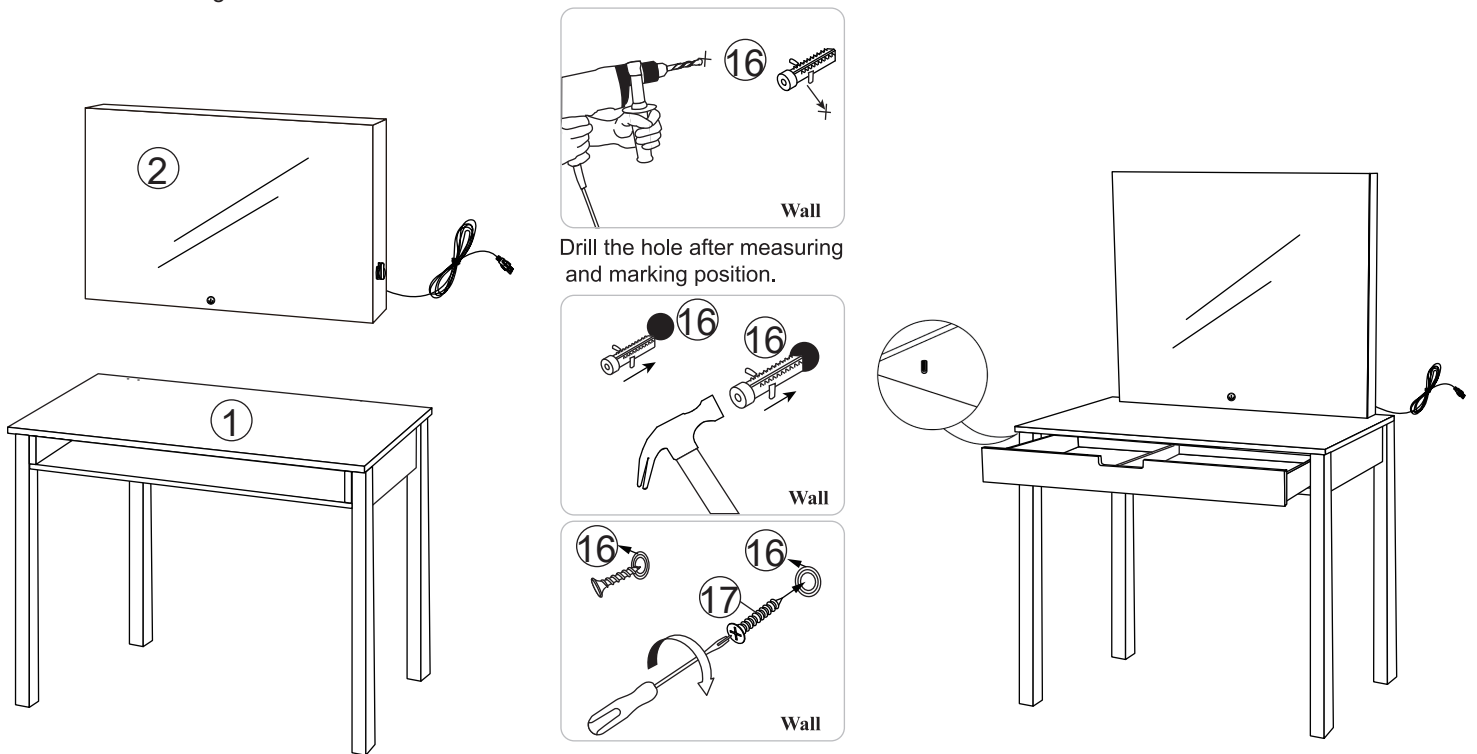
Two adults are required for assembly of this product on a clean and flat surface with roughness, it could avoid panel being scratched.



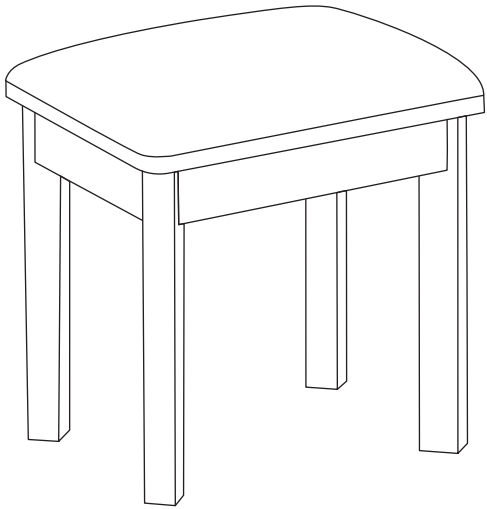
Function 1: Connect mirror with tabletop



Function 2: Hang mirror on the wall.



Assemble instruction for Stool



CAUTION:

Please assemble this product on a clean, flat surface without a rough surface that could scratch the panels.

Maintenances:

1. Please read the instruction carefully before assembling.
2. Please assemble the product on a clean and flat surface.
3. Use soft damp cloth to clean this product.

Assistance may be required for assembly of this product

