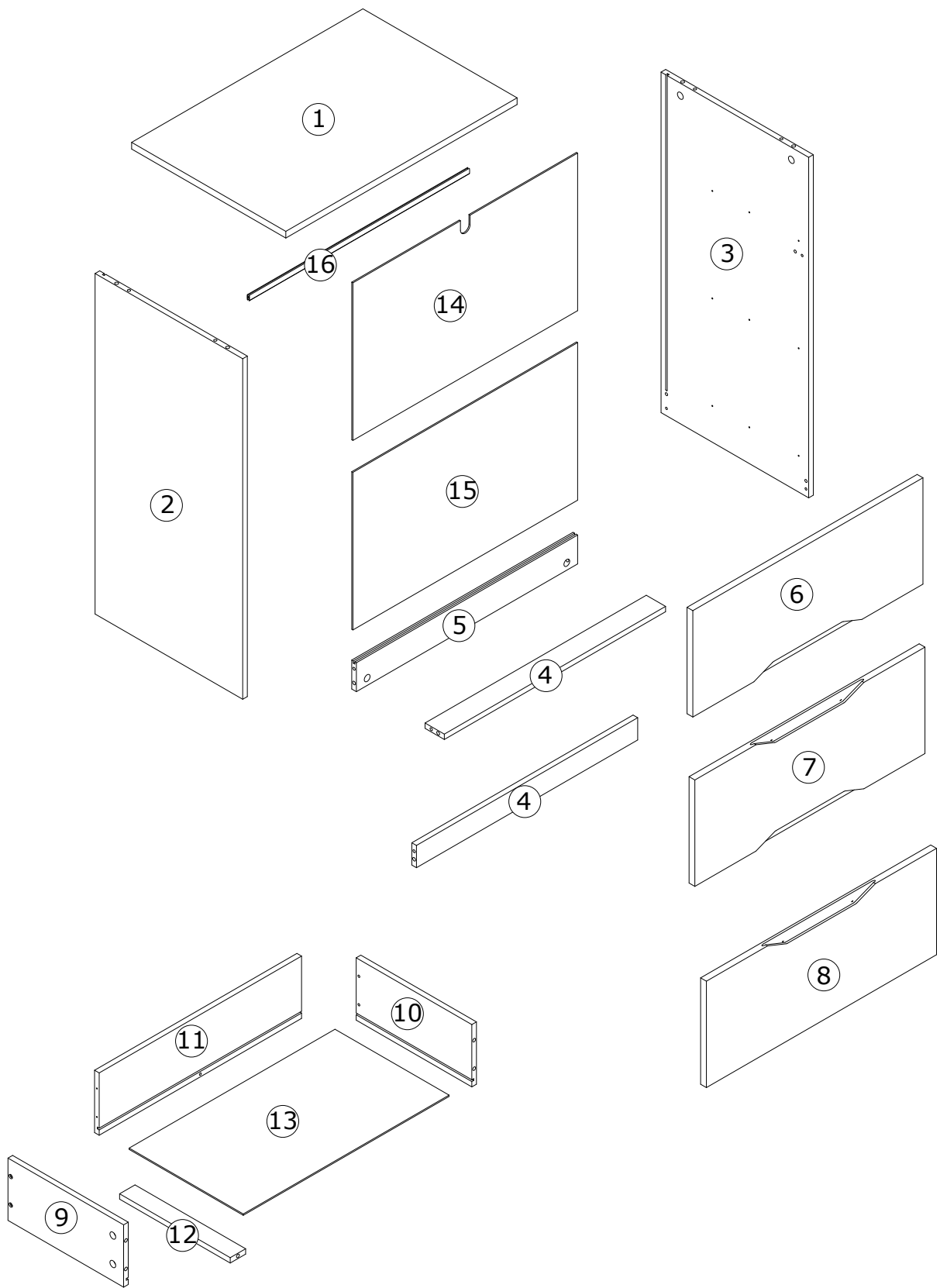
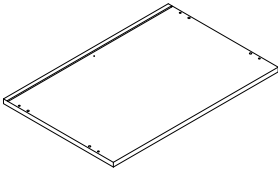
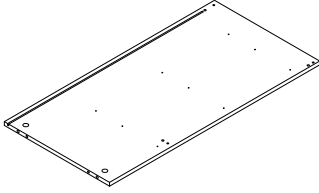
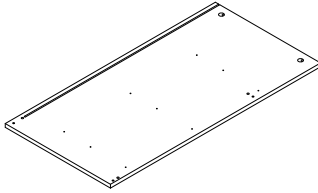
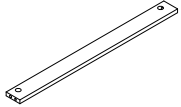
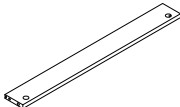
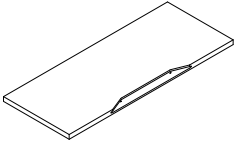
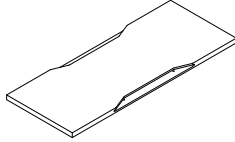
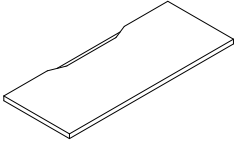
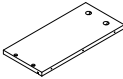
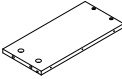
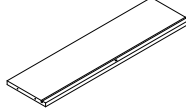
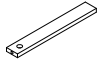
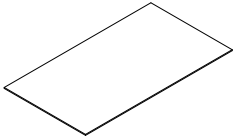
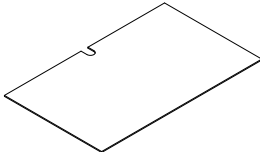
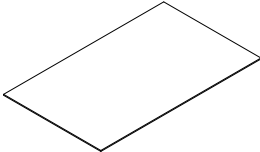



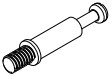






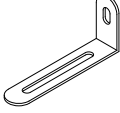


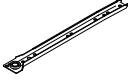
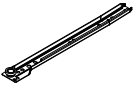
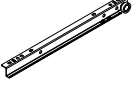
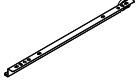
# Installation instruction



# Parts and Operation Elements

			
① 1pc	② 1pc	③ 1pc	④ 2pcs
			
⑤ 1pc	⑥ 1pc	⑦ 1pc	⑧ 1pc
			
⑨ 3pcs	⑩ 3pcs	⑪ 3pcs	⑫ 3pcs
			
⑬ 3pcs	⑭ 1pc	⑮ 1pc	⑯ 1pc

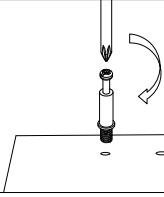
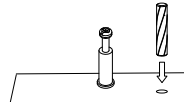
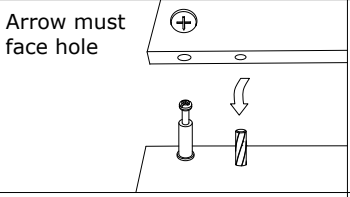
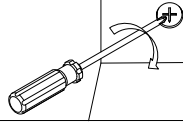
# Hardware

							
Cam bolt		Cam lock		Wood dowel Ø6 x 30mm		Ø4 x 35mm screw	
A	25+3pcs	B	25+3pcs	C	10+1pcs	D	15+2pcs
							
Ø3 x 12mm screw		Back bracket		Ø3 x 14mm screw		L wall fixing	
E	36+4pcs	F	8+1pcs	G	8+1pcs	H	1pc
							
Ø4 x 12mm screw		30mm wall plug		300mm		300mm	
J	1pc	K	1pc	CL	3pcs	CR	3pcs
							
300mm		300mm					
DL	3pcs	DR	3pcs				

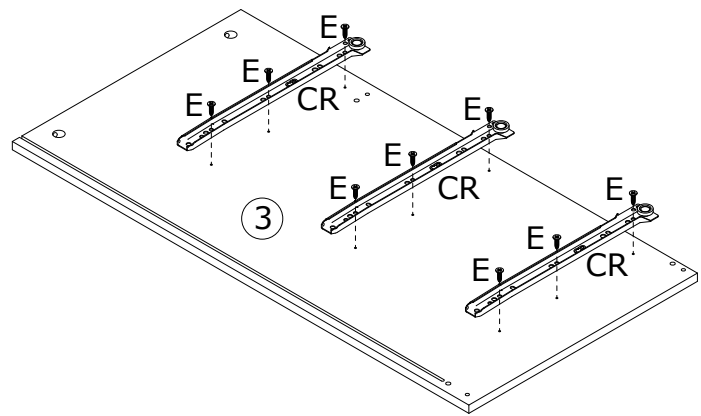
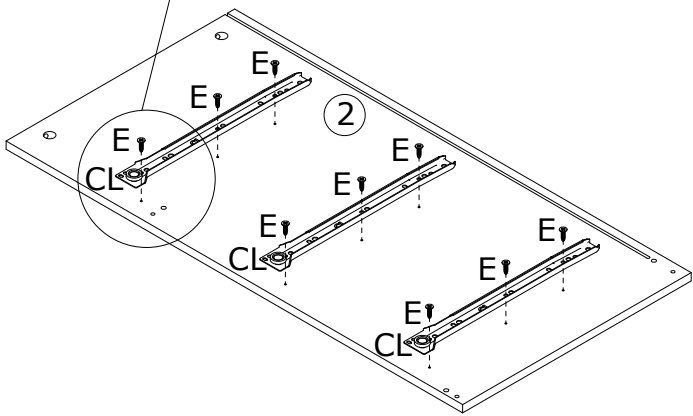
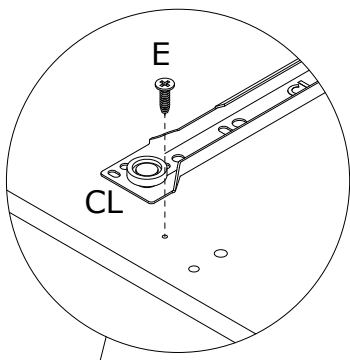
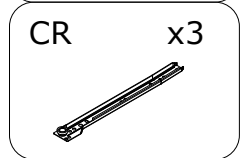
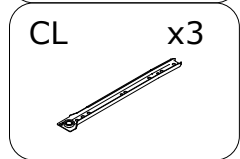
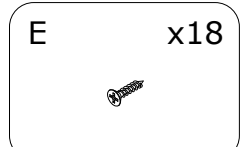
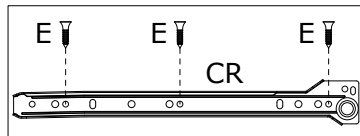
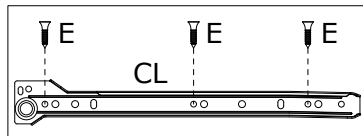


SPARE BAG

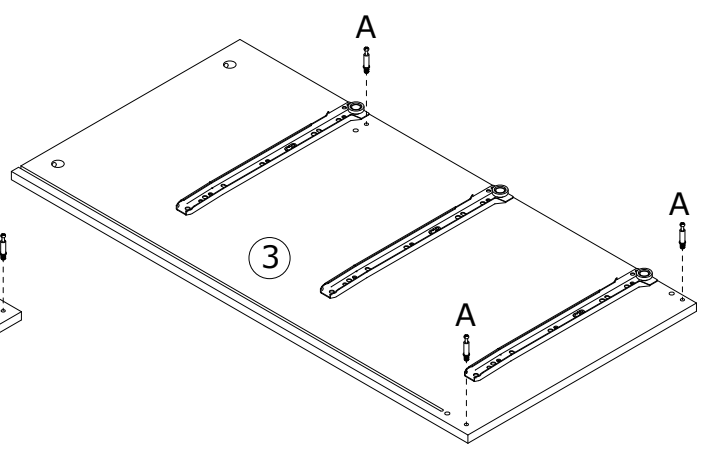
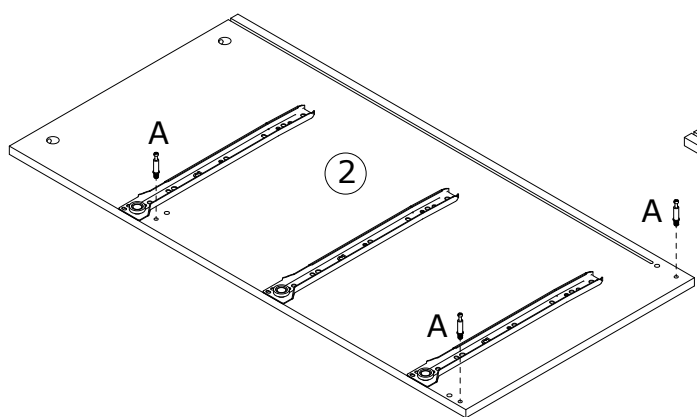
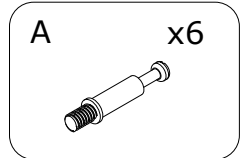
THE SPARE BAG INCLUDED EXTRA HARDWARE FOR DAMAGED OR MISSING SMALL HARDWARE WHILE YOU ARE ASSEMBLING

			
Gently screw cam bolt into the threaded anchor.	Insert the wood dowel halfway into hole.	Arrow must face hole	Screw the camlock firmly into locked position.

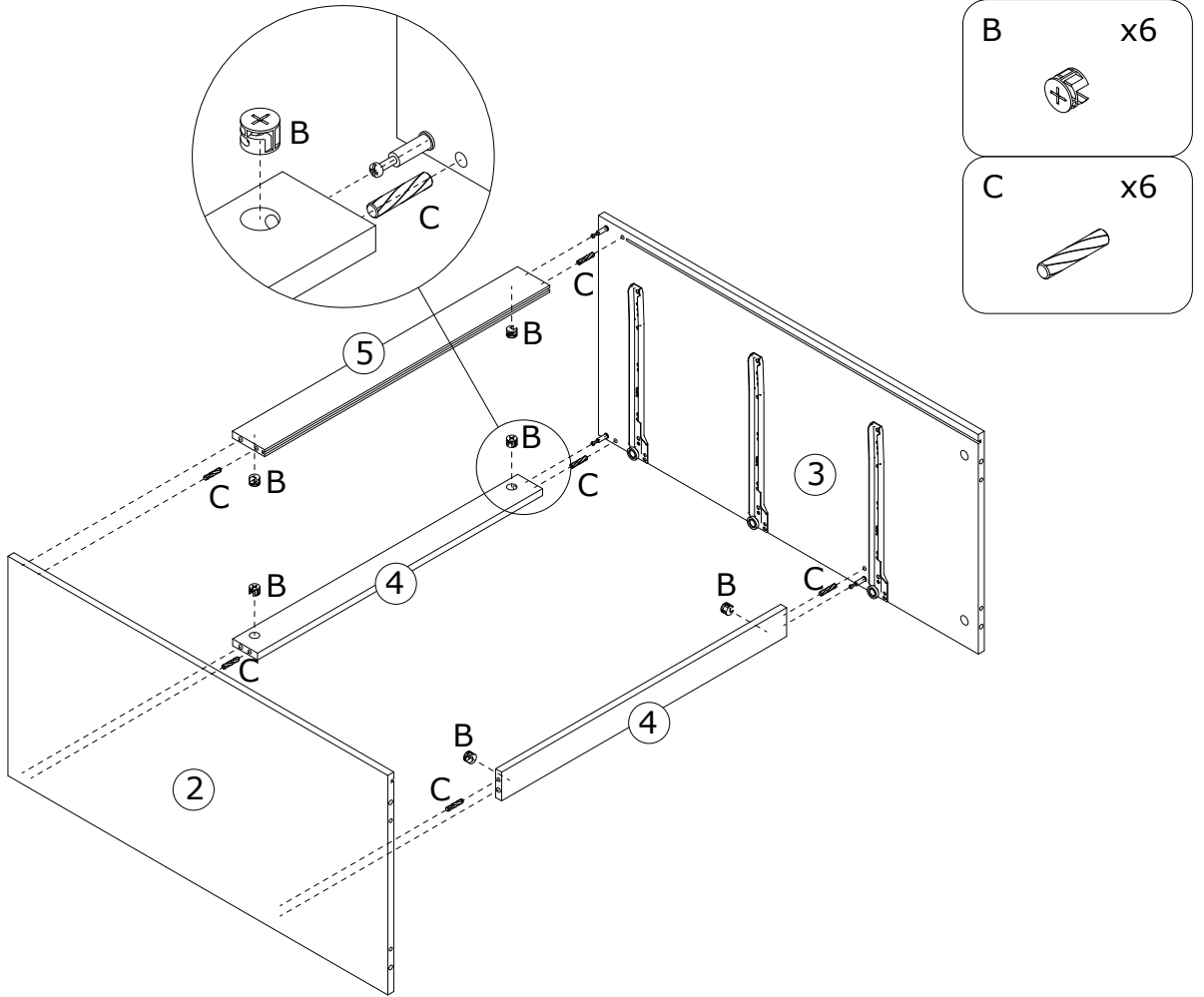
1



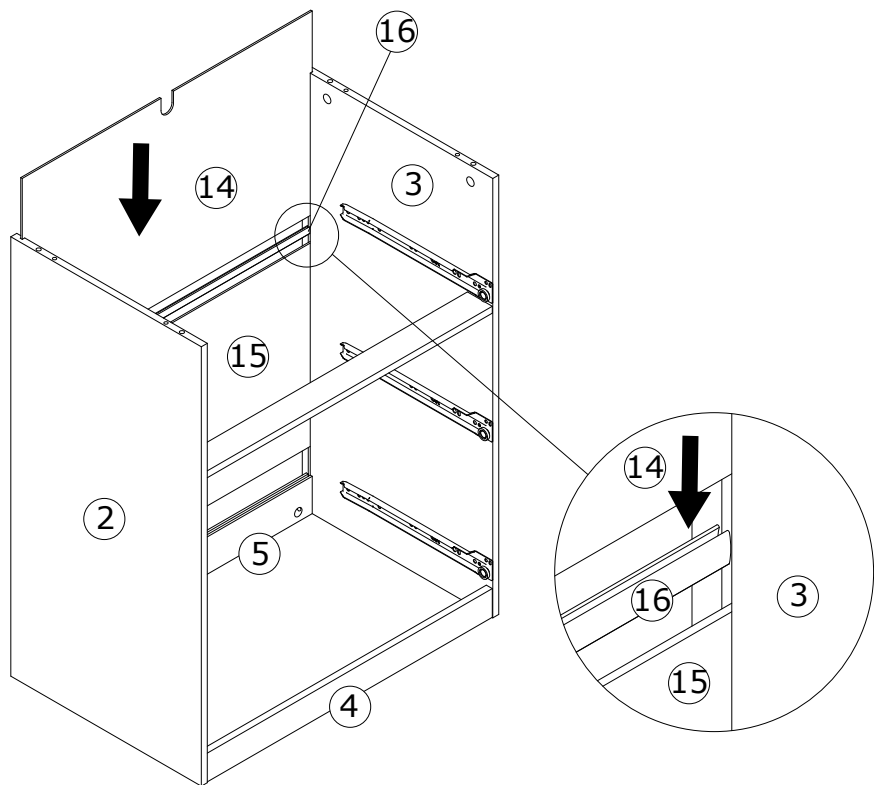
2



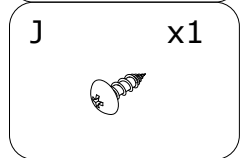
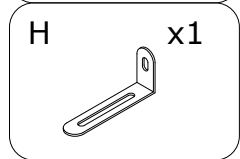
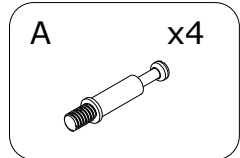
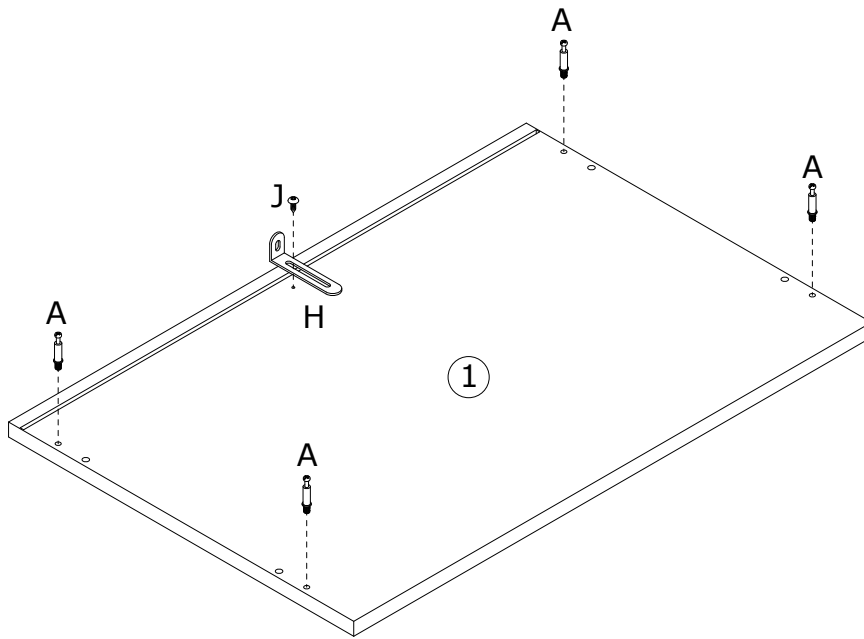
3



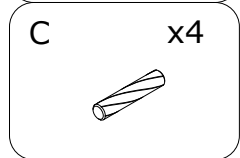
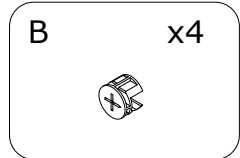
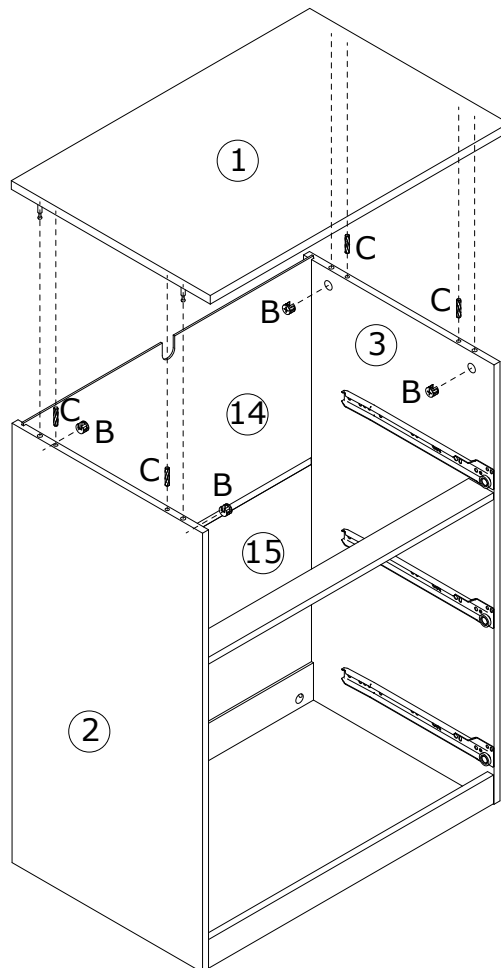
4



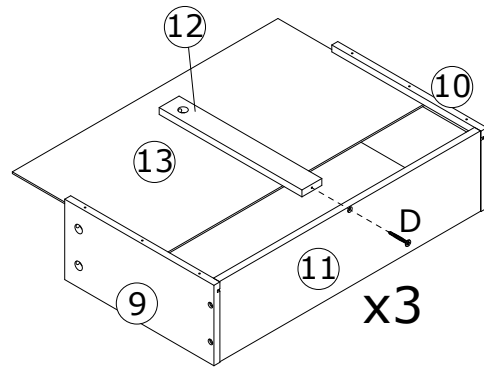
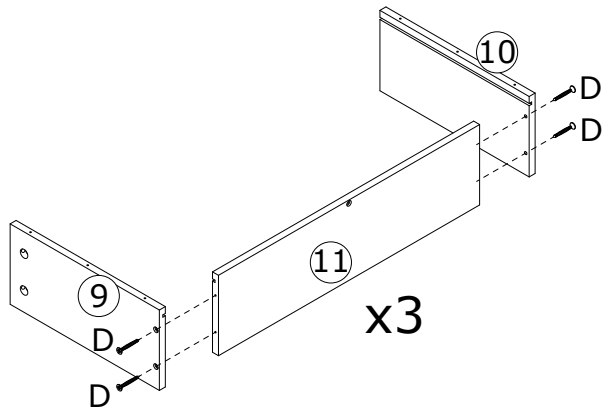
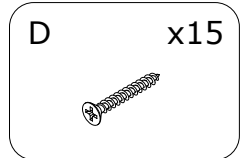
5



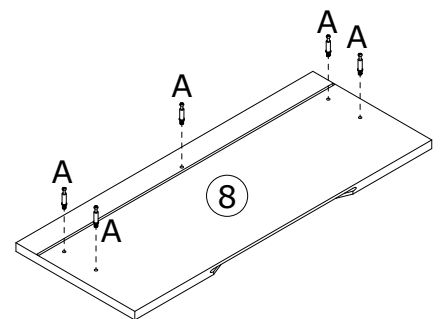
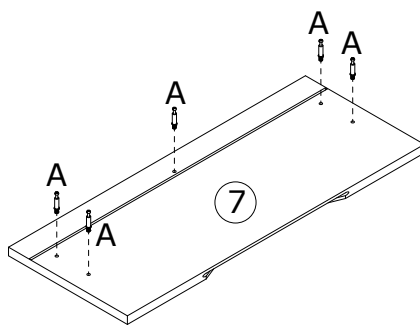
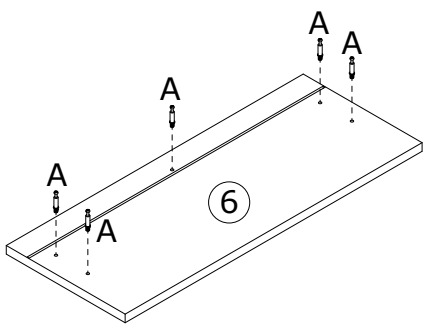
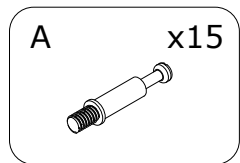
6



7

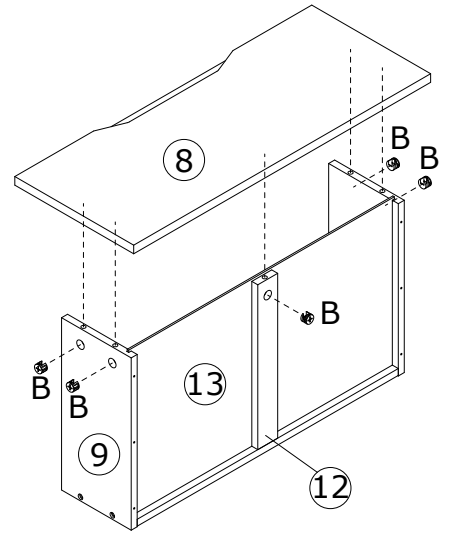
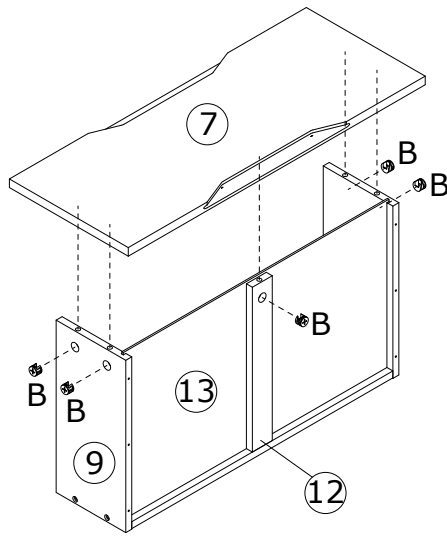
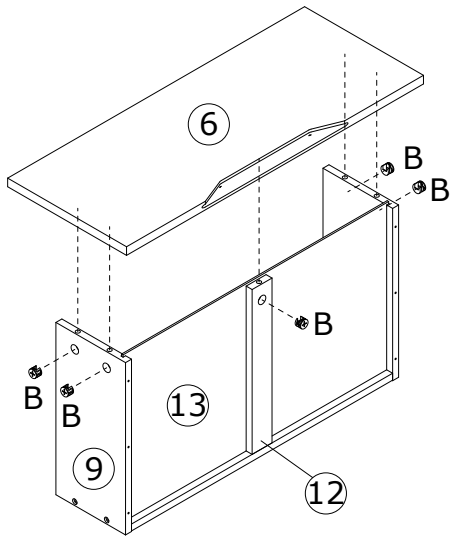



8

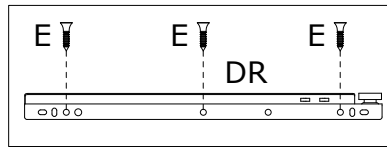
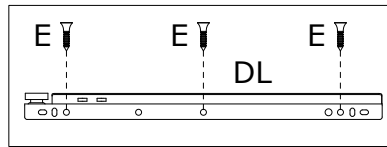


9


B x15



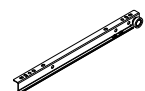
10



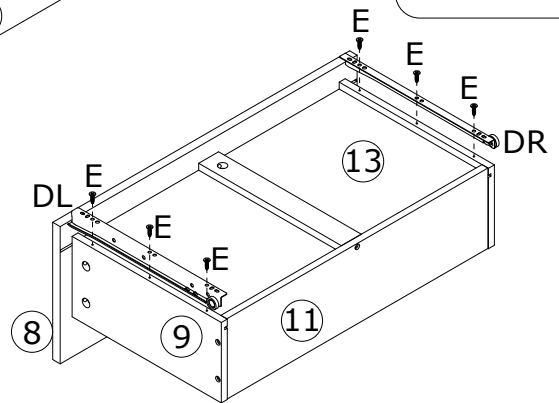
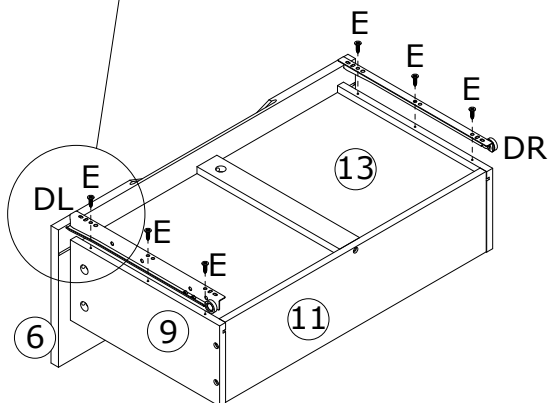
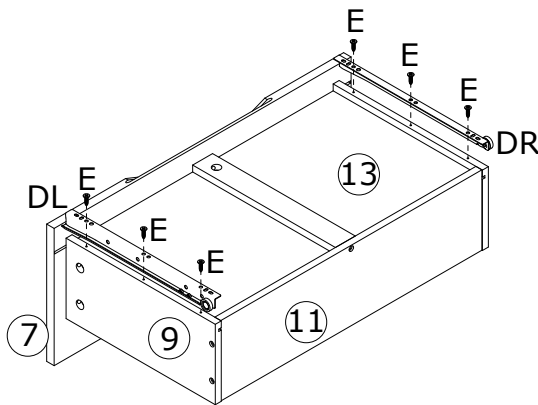
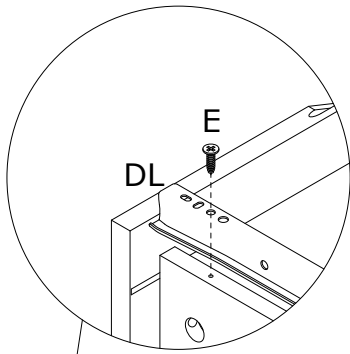
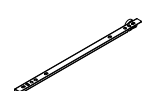
E x18



DL x3



DR x3

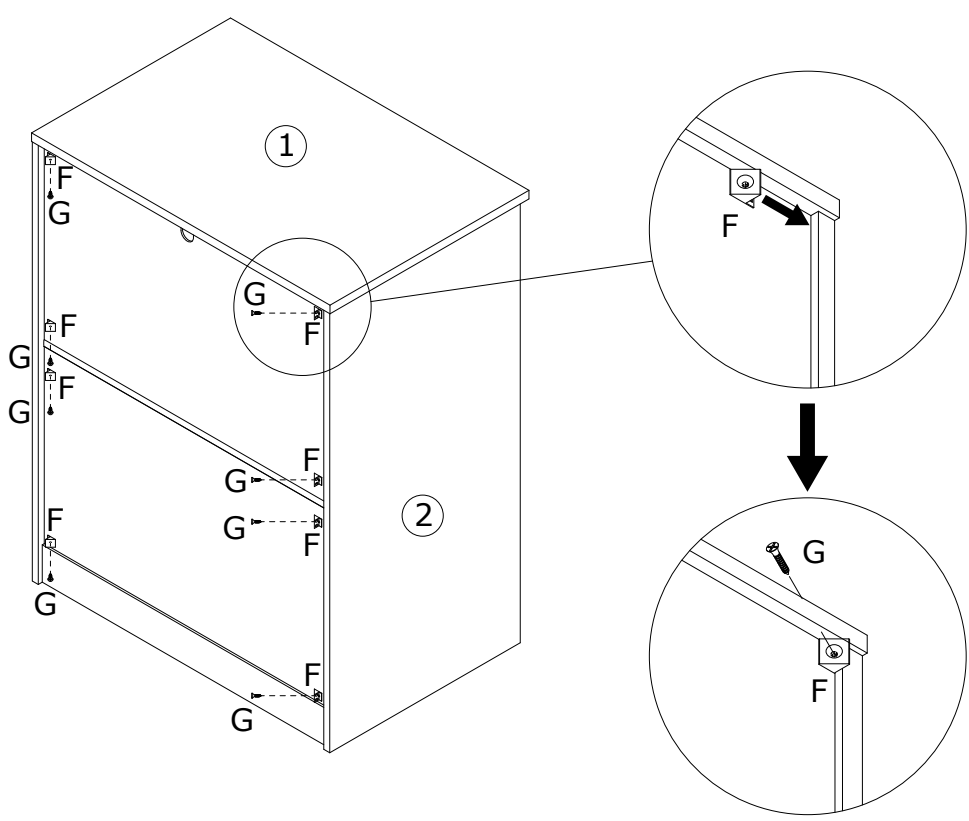


11

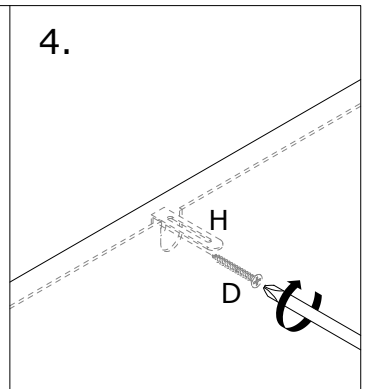
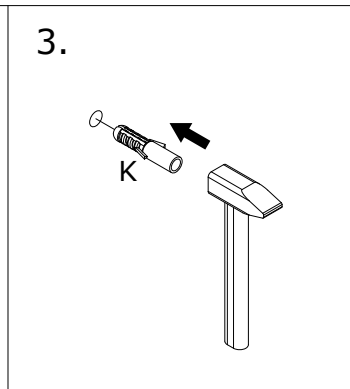
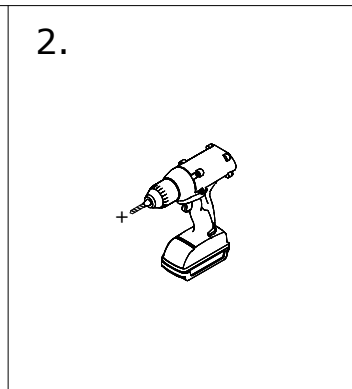
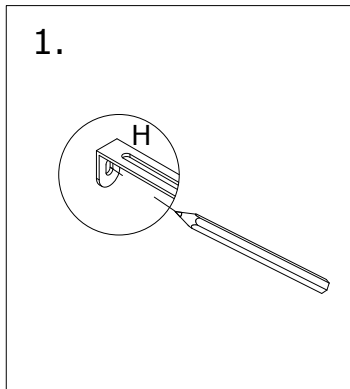
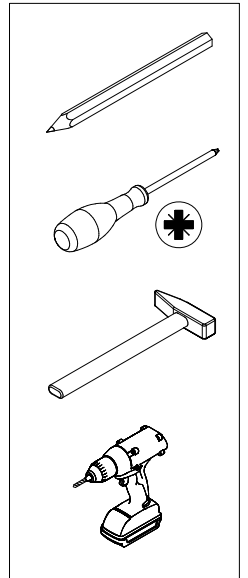
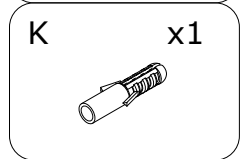
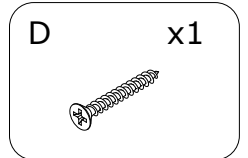
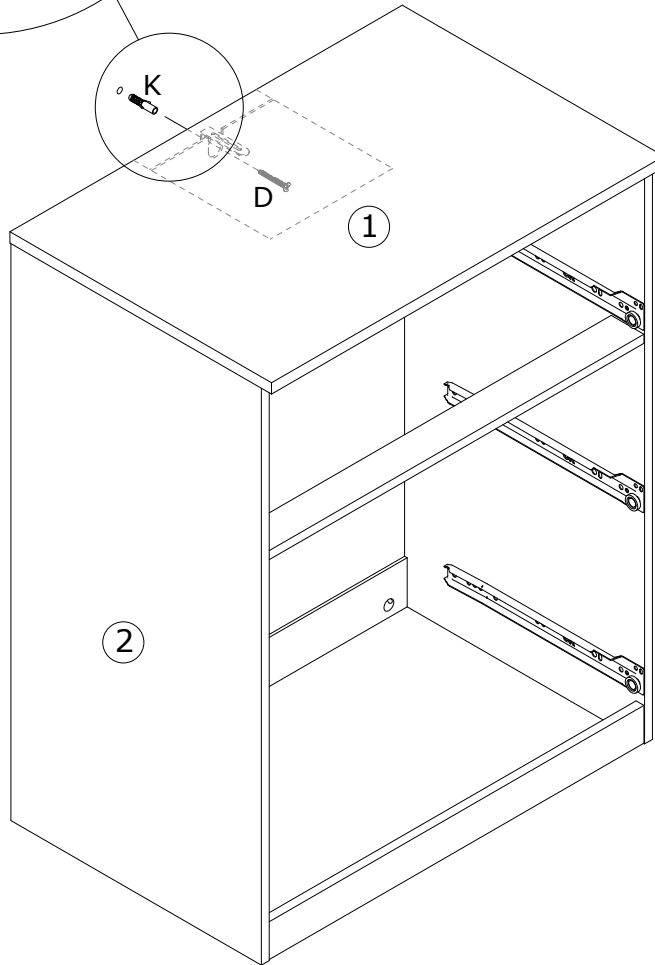
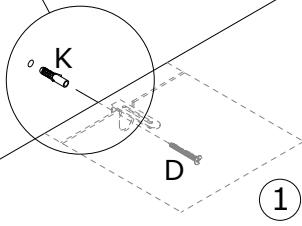
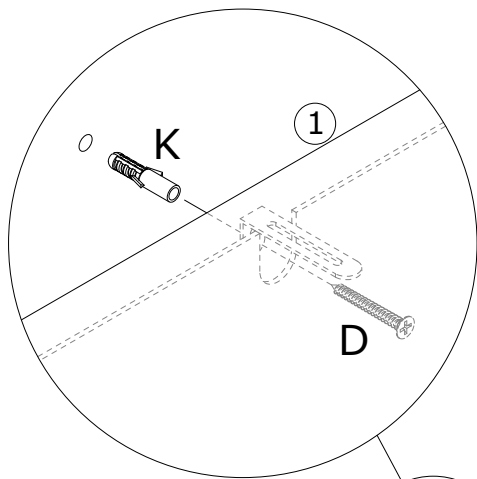
F x8



G x8



12



13

