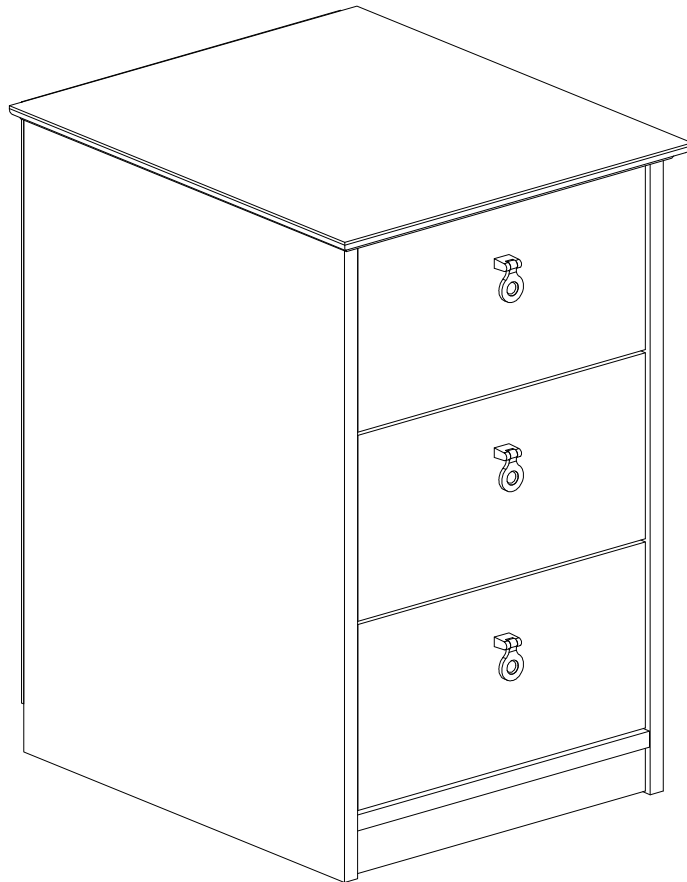


ASSEMBLY INSTRUCTIONS

Important Safety Instructions:

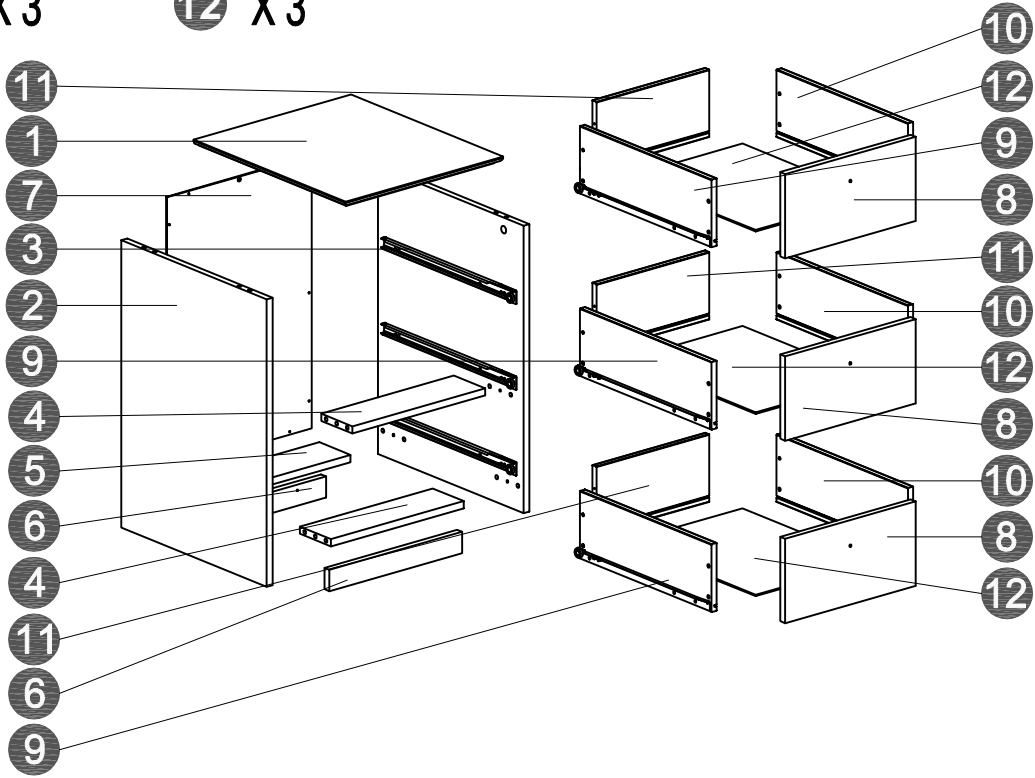
- Please read all instructions before beginning assembly
- Please make sure receive all the parcels to start the assembly
- For your safety and convenience, assembly by two people is recommended
- Use the parts and hardware lists to identify and separate each of the components included
- Save all packing materials until assembly is completed to avoid the accidental discarding of smaller parts or hardware



THANK YOU FOR PURCHASING

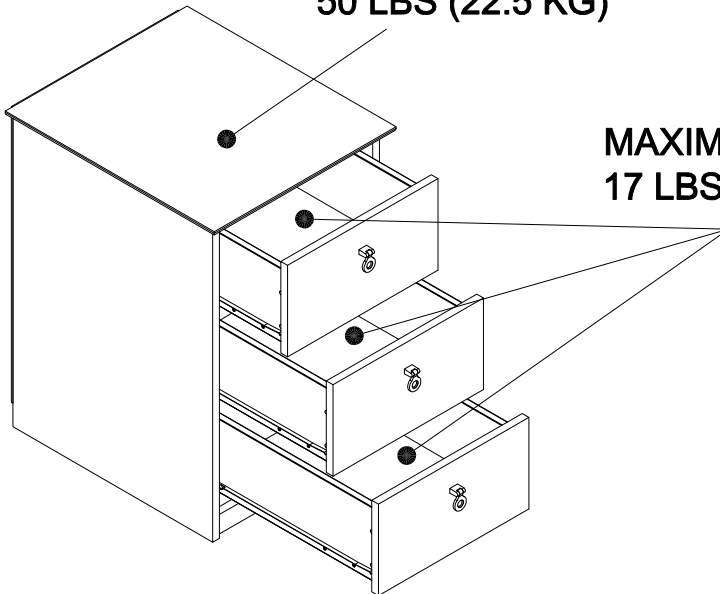
PARTS LIST

- | | | | | |
|------|------|------|------|------|
| ① X1 | ② X1 | ③ X1 | ④ X2 | ⑤ X1 |
| ⑥ X2 | ⑦ X1 | ⑧ X3 | ⑨ X3 | ⑩ X3 |
| ⑪ X3 | ⑫ X3 | | | |





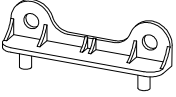



Maximum weight capacities

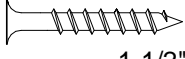
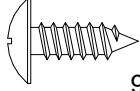
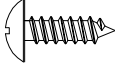


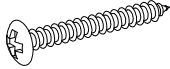

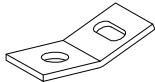
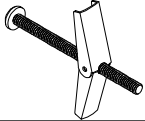

**MAXIMUM WEIGHT:
50 LBS (22.5 KG)**



**MAXIMUM WEIGHT:
17 LBS (7.7 KG)**

HARDWARE LIST

Name	Part	Qty.	Spare
A		10	1
B		10	1
C		6	
D		16	1
E		4	
F		3	

Name	Part	Qty.	Spare
G	 1-1/2" Screw	12	
H	 9/16" Screw	12	
I	 1/2" Screw	20	
J	 3/4" Nail	10	1
K	 7/8" Bolt	3	1
U1		1	
U2		1	
U3		2	
U4		1	
U5		1	

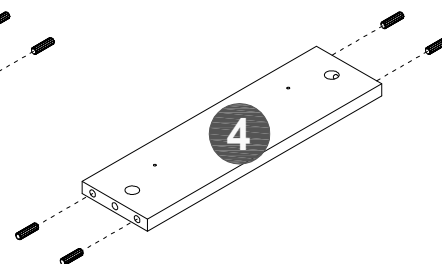
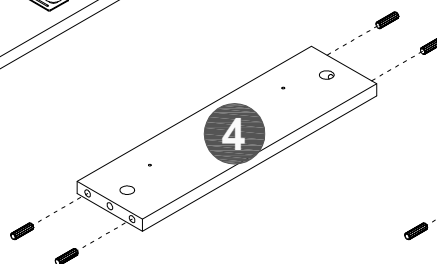
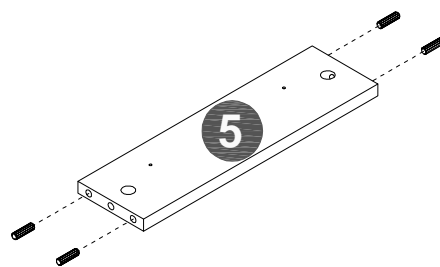
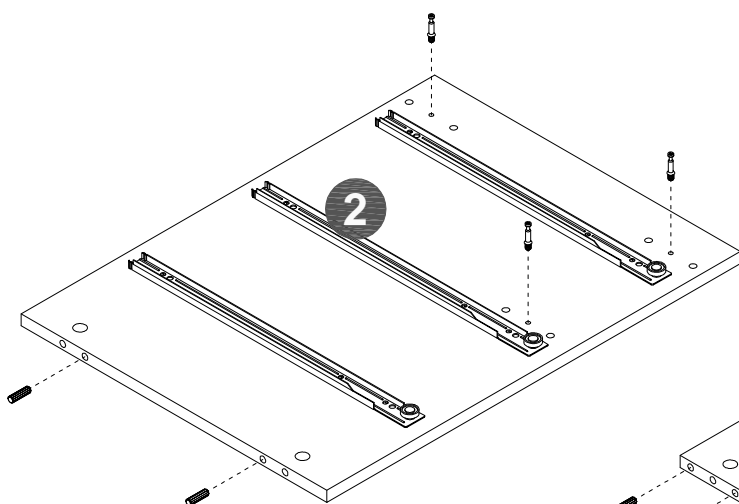
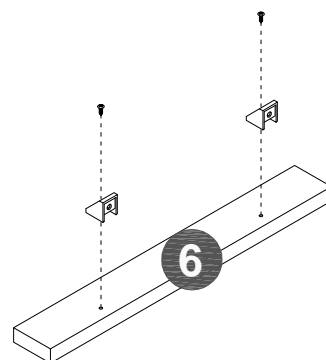
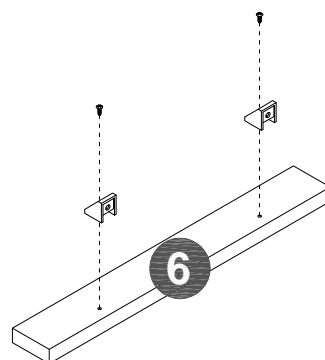
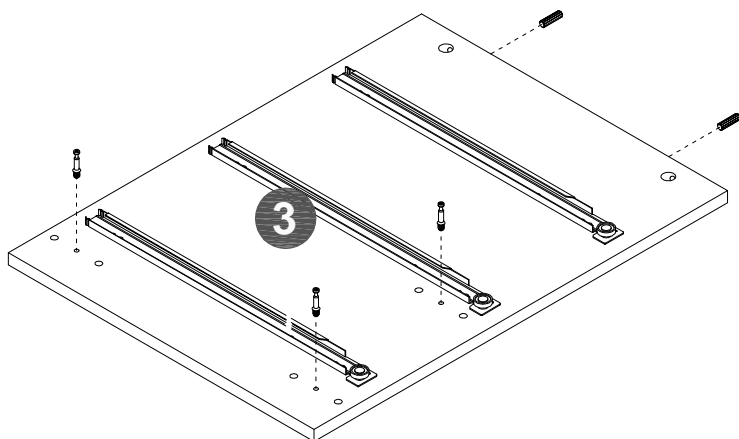
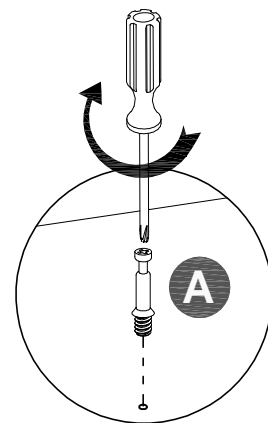
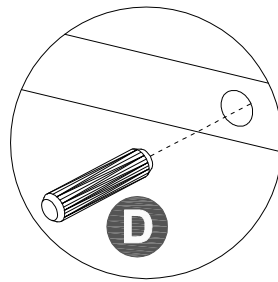
STEP 1

A x 6pcs 

D x 16pcs 

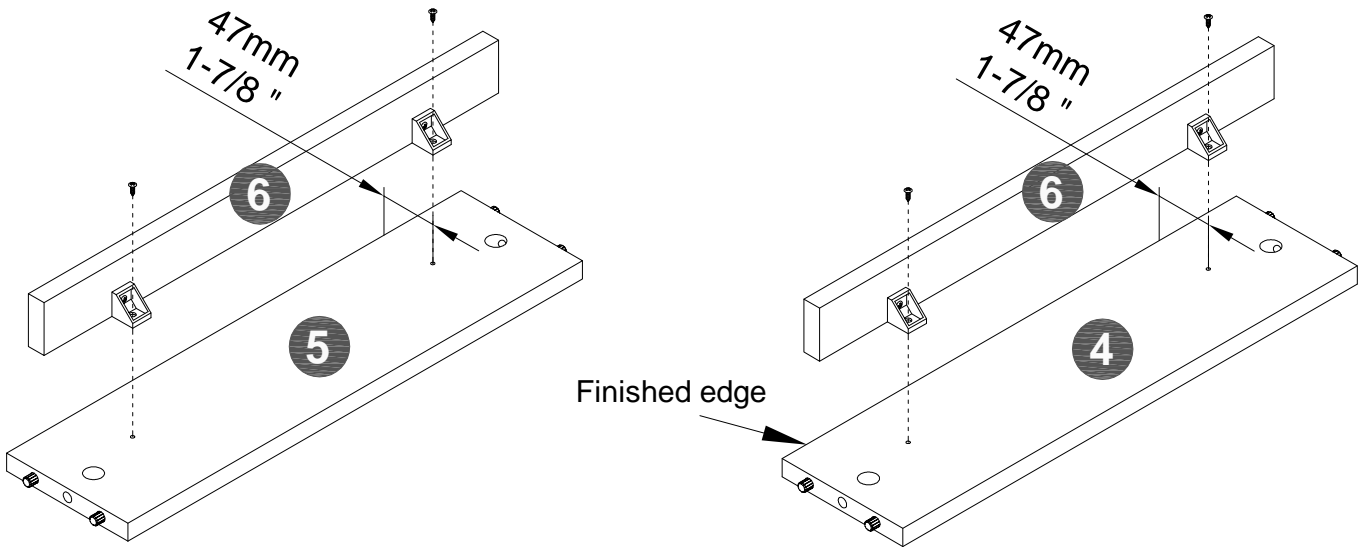
E x 4pcs 

I x 4pcs 




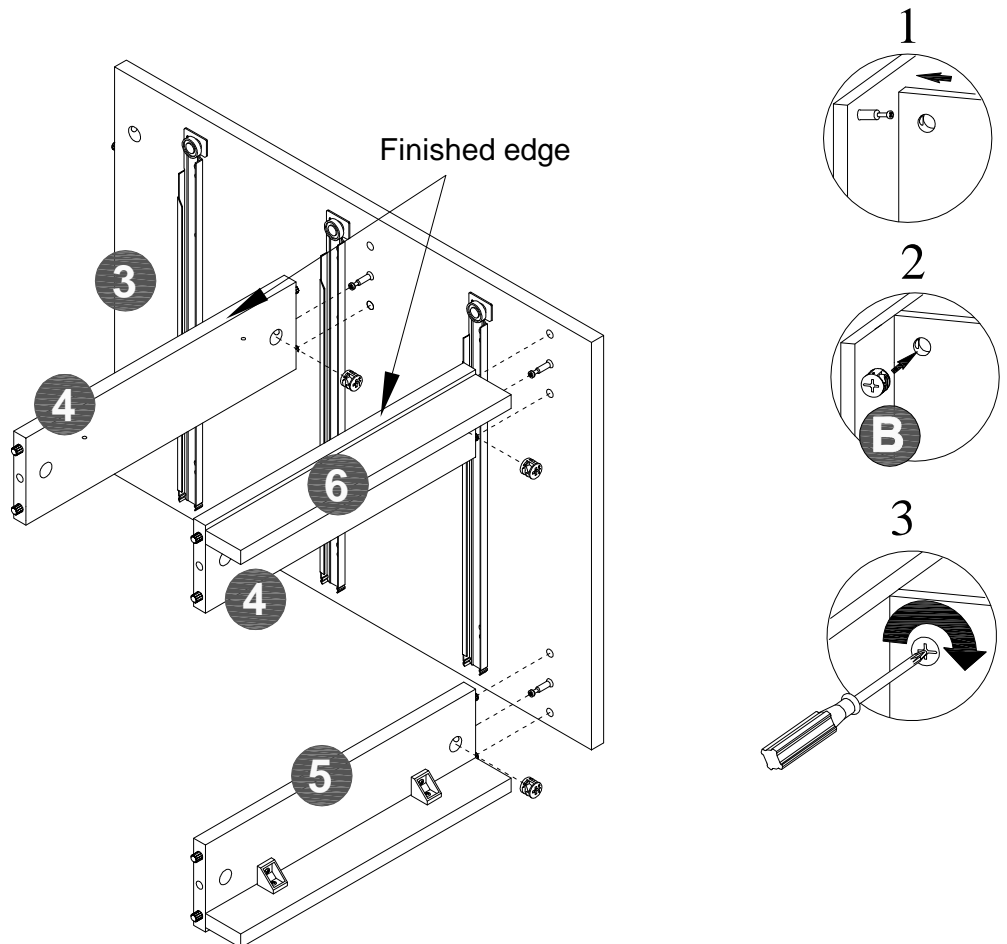
STEP 2

I x 4pcs 



STEP 3

B x 3pcs 

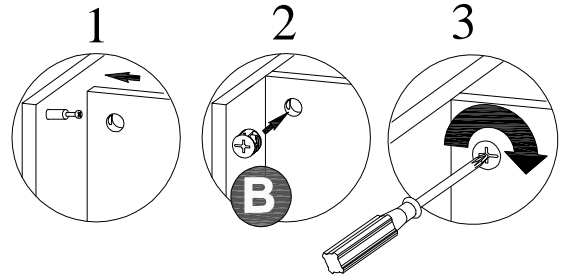
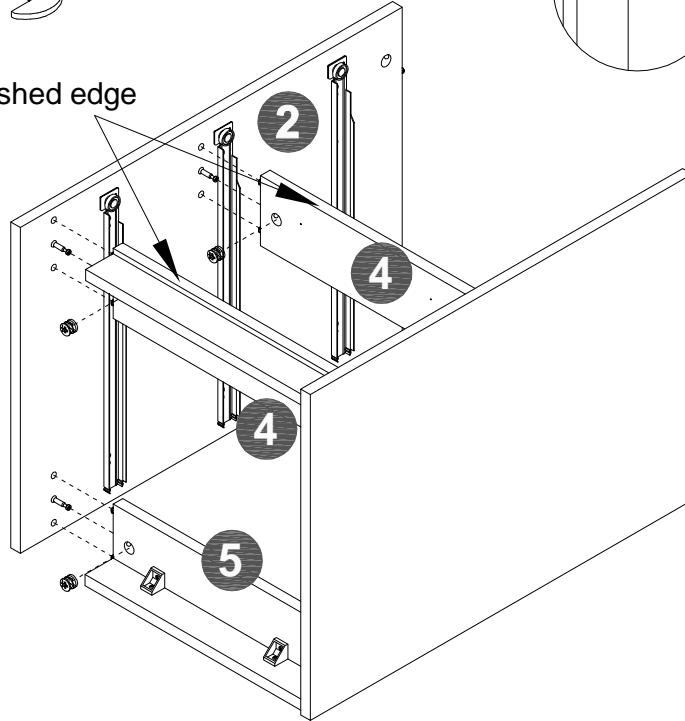


STEP 4

B x 3pcs

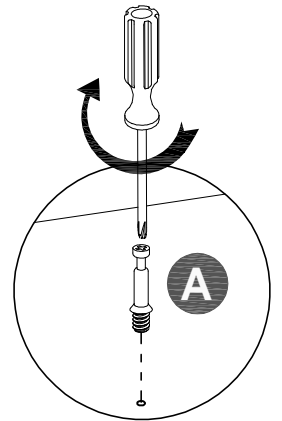
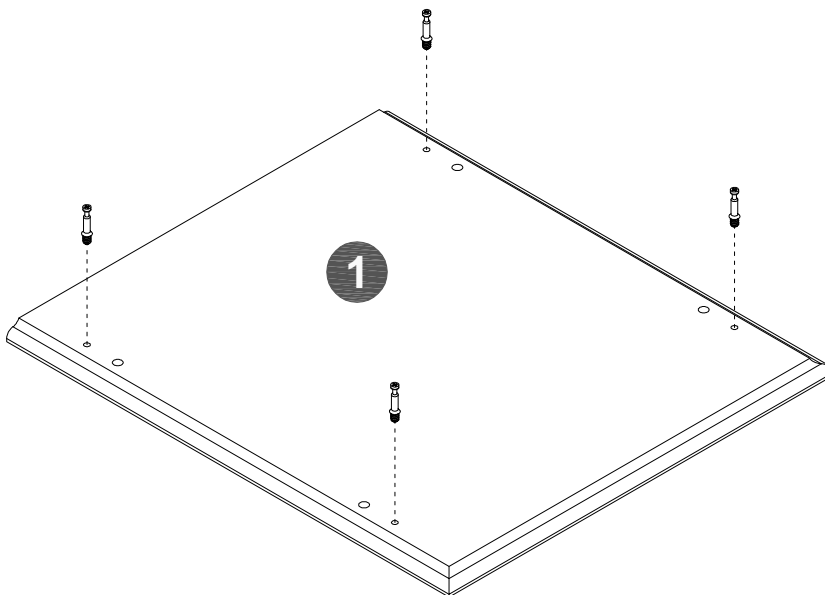
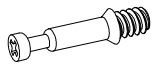


Finished edge



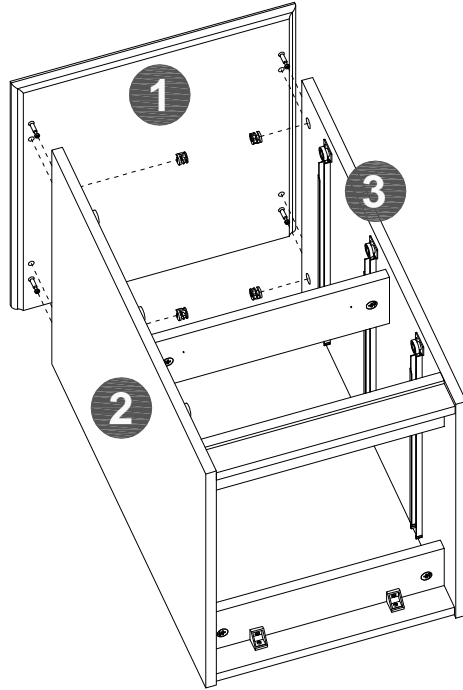
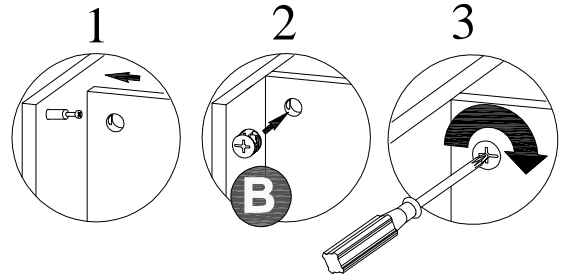
STEP 5

A x 4pcs



STEP 6

B x 4pcs

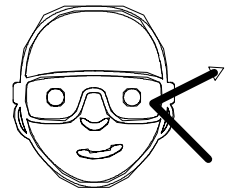


STEP 7

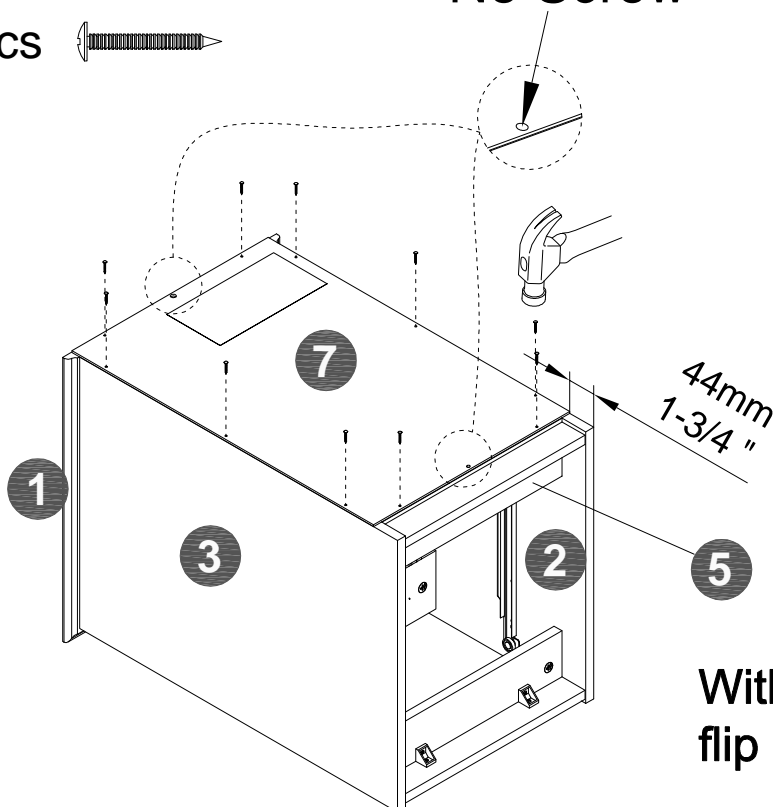
J x 10pcs



No Screw



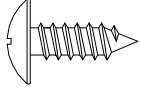
Safety glasses

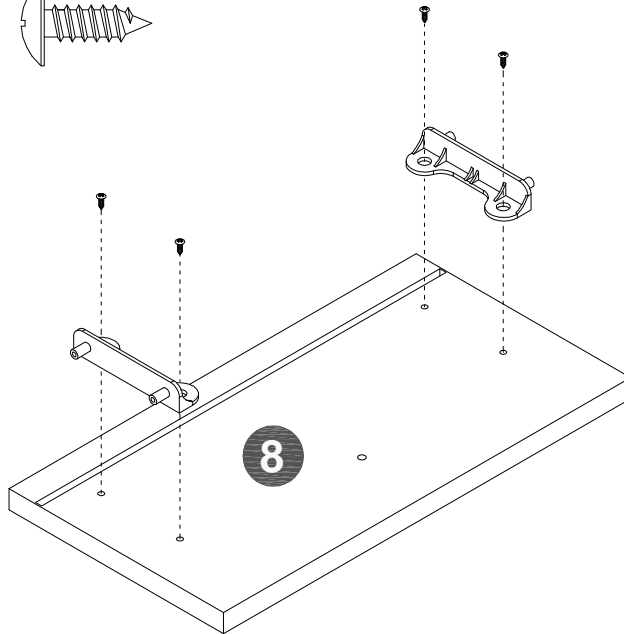


With assistant carefully flip unit over.

STEP 8

C x 6pcs 

H x 12pcs 

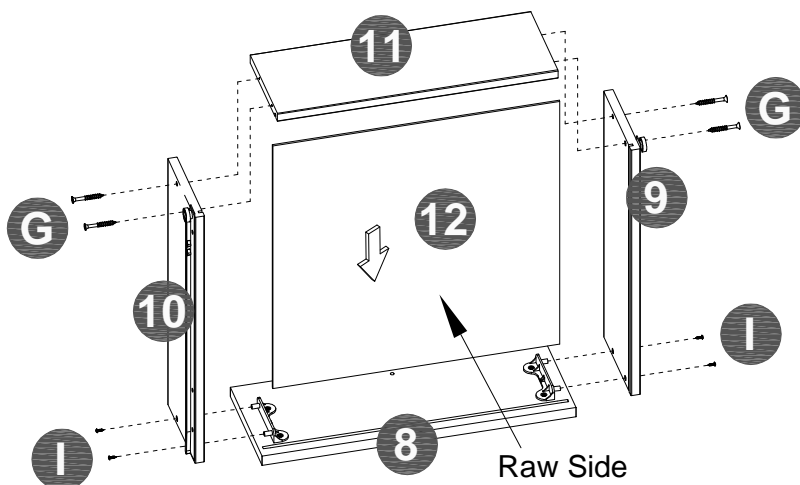


x 3

STEP 9

I x 12pcs 

G x 12pcs 



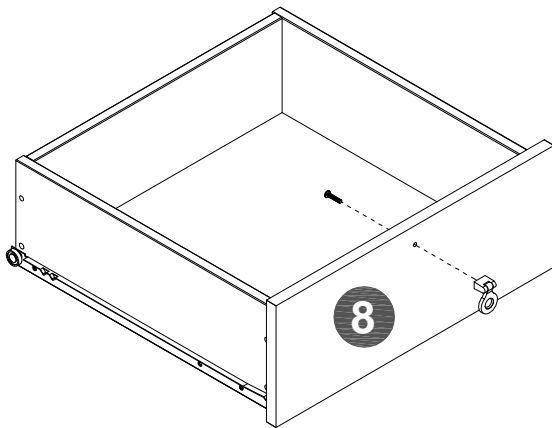
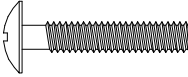
x 3

STEP 10

F x 3pcs



K x 3pcs



x 3

STEP 11

With assistant carefully stand unit up.

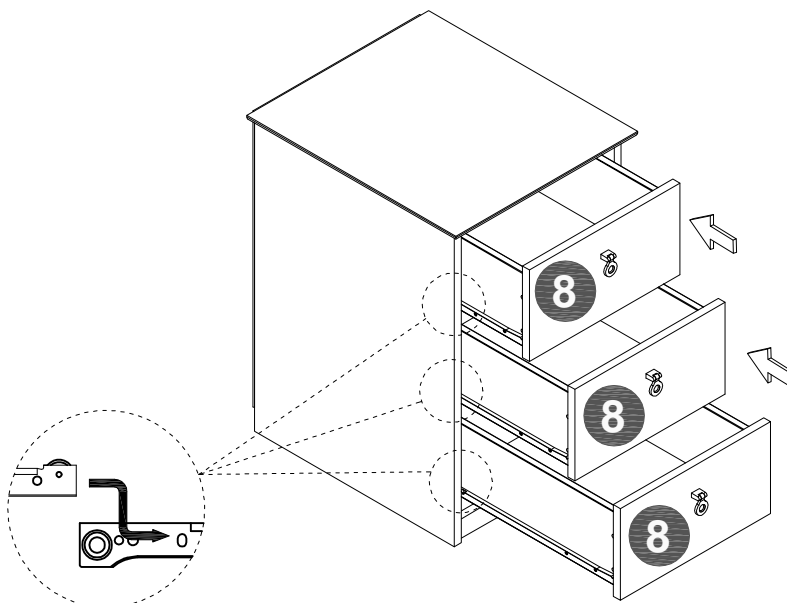
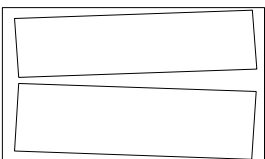
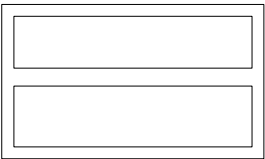
- Move unit to final location.
- Adjust drawer fronts as shown below.

Step1--Loosen screws on back of drawer front brackets as shown.

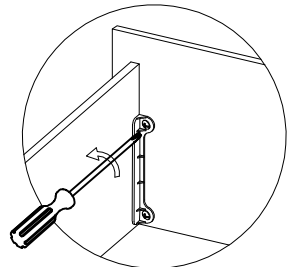
Step2--Position drawer front as required.

Step3--Tighten screws while holding drawer front in position.

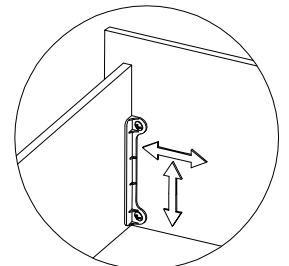
DRAWER FRONT VIEW



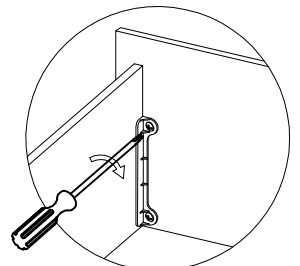
STEP 1.



STEP 2.

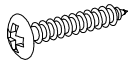


STEP 3.

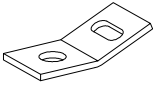


STEP 12

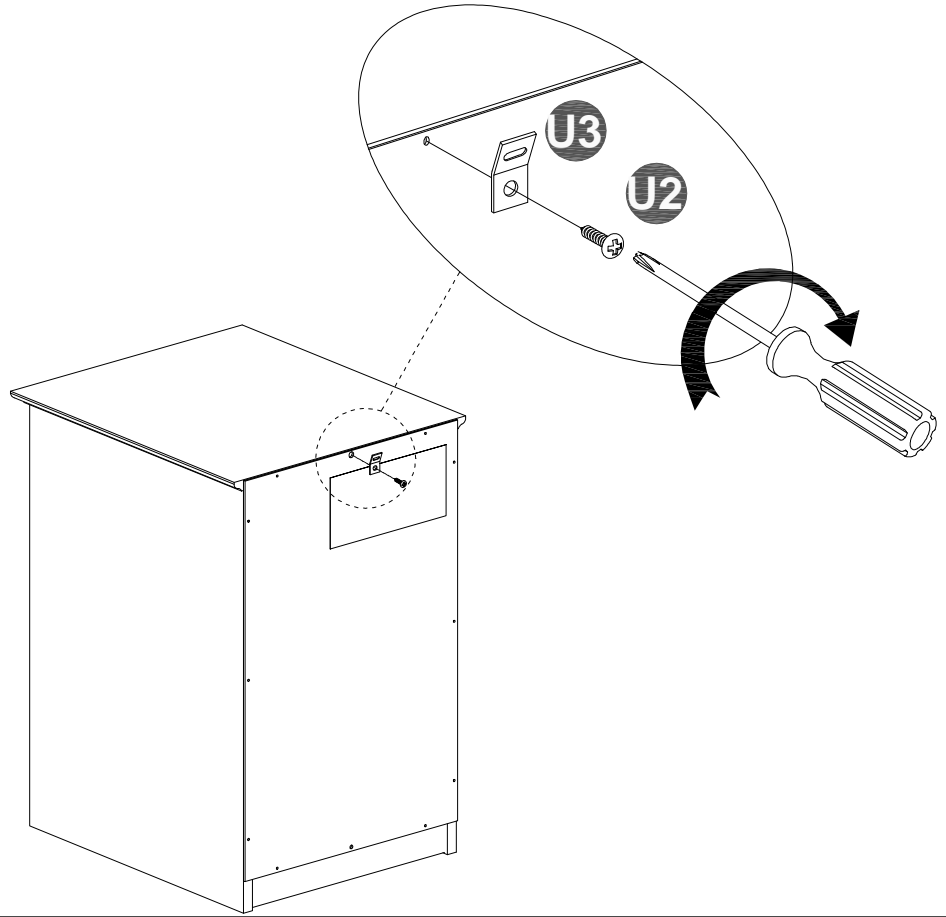
U2 x 1pc



U3 x 1pc

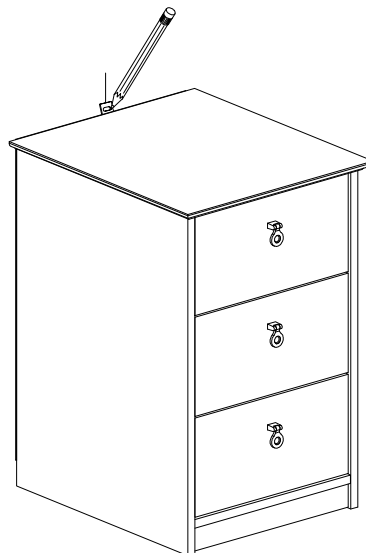
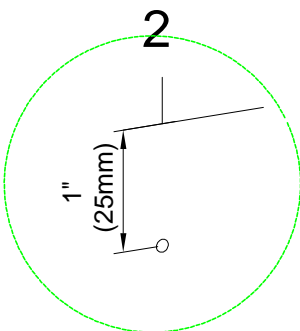
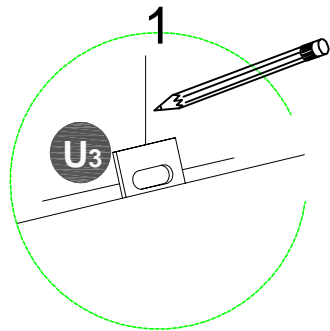


Connecting Plate



STEP 13

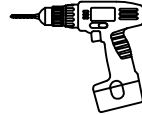
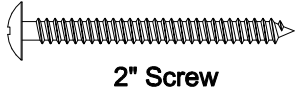
1. Place unit in desired location.
2. Locate wall stud nearest unit center.
3. On wall, mark center of stud location 1" below top of unit.
4. If a wall stud cannot be located mark hollow wall at unit center.



STEP 14

WALL STUD ATTACHMENT

U₁ x1pcs



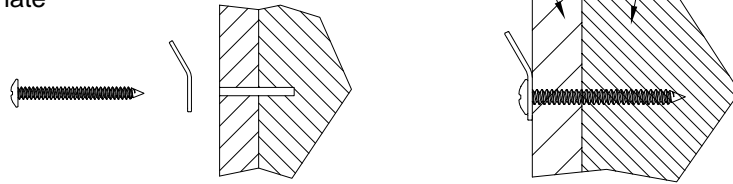
Drill 1/8" hole 2" deep at mark on wall.

U₃ x1pcs



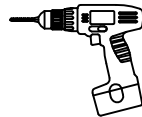
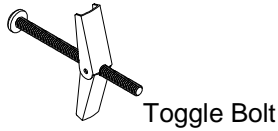
Drywall
Paneles de yeso
cloisons sèches

Wood stud
Montante de madera
Stud bois



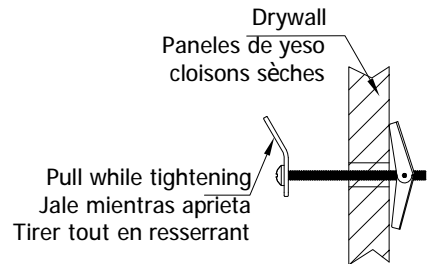
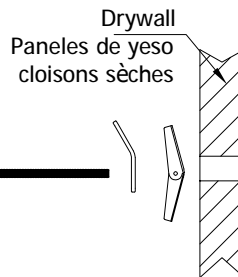
HOLLOW WALL ATTACHMENT

U₄ x1pcs



Drill 1/2" hole 1" deep at mark on wall.

U₃ x1pcs



STEP 15

U₅ x 1pc

