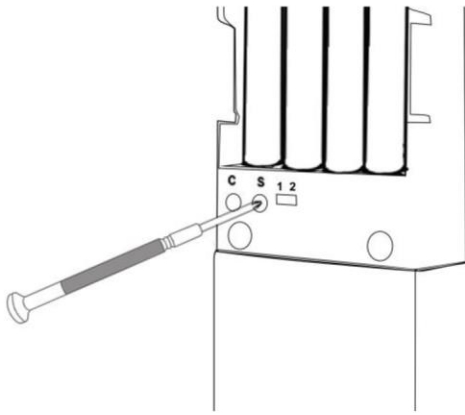


RF REMOTE CONTROL PROGRAMMING

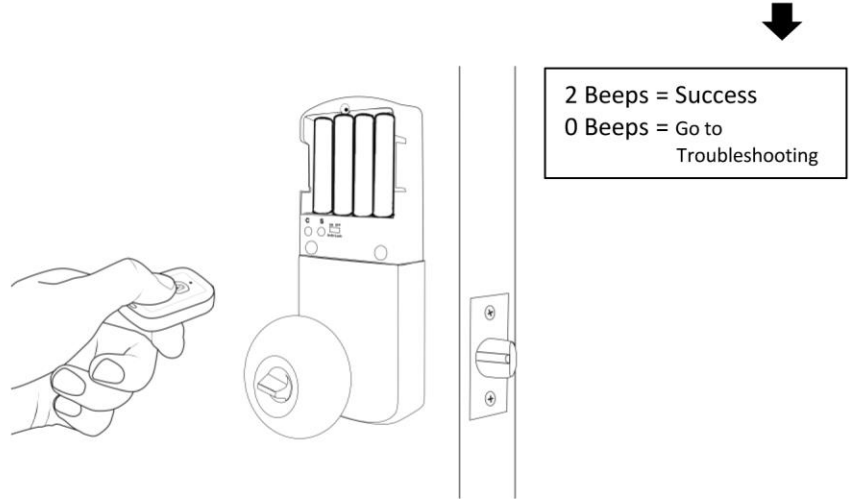
Program a Remote

Press the **S** button once

Press and hold either button on the remote you wish to program



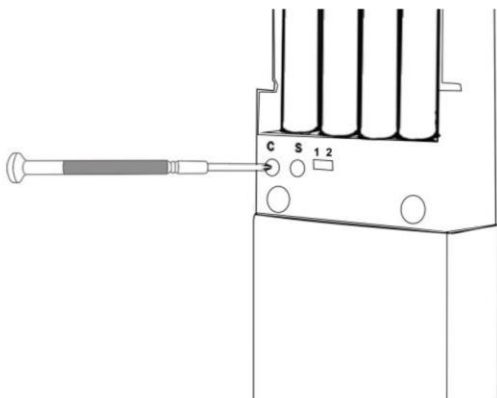
Within 5 sec.



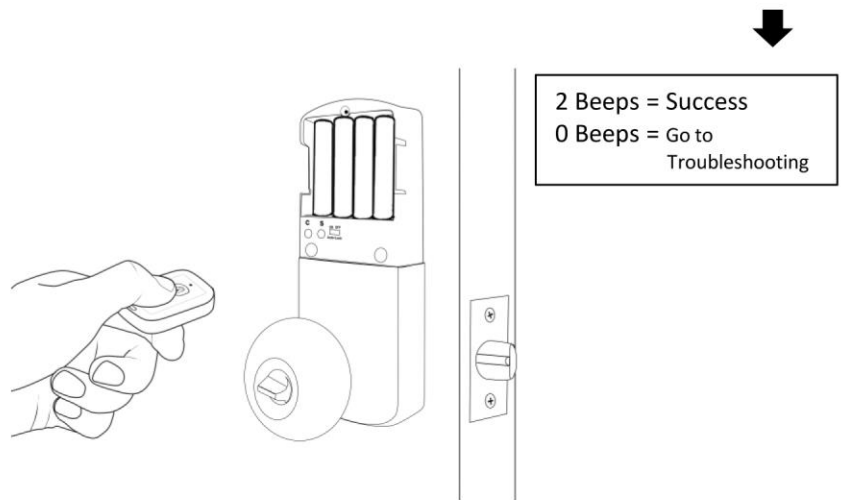
To clear all remotes

Press the **C** button once

Press and hold either button on the remote you wish to delete



Within 5 sec.



NOTE: This will delete all remotes stored in the memory and will program the remote you are using at that moment.