

ASSEMBLY INSTRUCTIONS

Read this instruction carefully. See hardware and furniture part list for guidance. Be sure all part is complete, before you assemble. Place all wooden furniture part on a clean and flat soft surface to prevent from being scratched. Follow the figure to start assembling.

- CAUTIONS :**
1. Do not **FULLY-TIGHTEN** the nuts or bolts until all nuts or bolts are ready assemble.
 2. Do not **OVER-TIGHTEN** the nuts or bolts to avoid causing damages to the threads.
 3. Keep all hardware part out of reach of children.

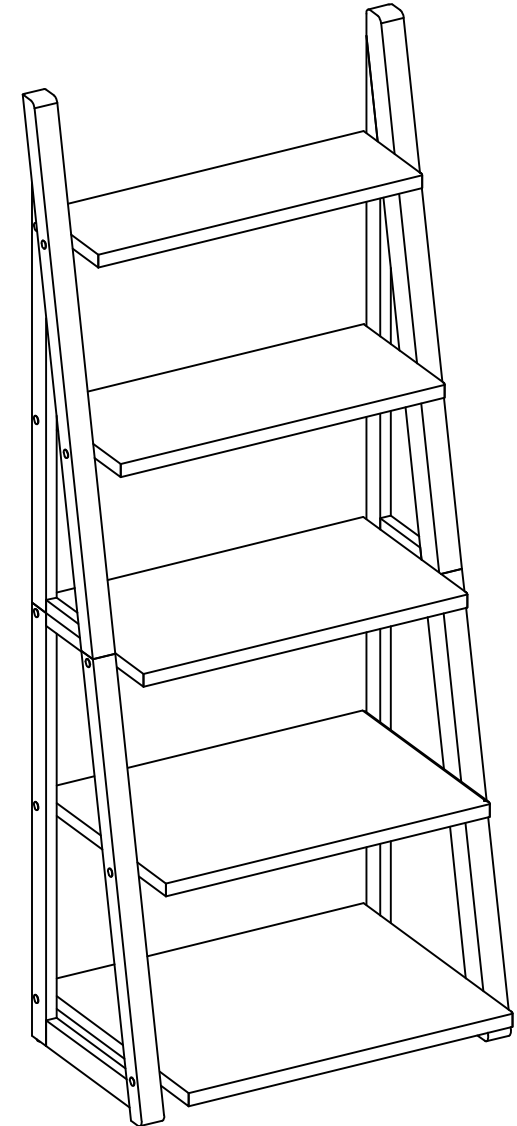
Part List

A × 1	B × 1	C × 1	
D × 1	E × 1	F × 1	
G × 1	H × 1	I × 1	J × 3

Hardware List

AA × 32	BB × 4	CC × 36	DD × 36
JCBC BOLT 1/4" X 50MM	JCBC BOLT 1/4" X 45MM	SPRING WASHER M6	FLAT WASHER M6 X 13

EE × 4	FF × 20	GG × 1	HH × 4	II × 1
WOOD DOWEL M8 X 30MM	WOOD BUTTON 14.5	ALLEN KEY M4	PROTECTIVE DISC 22MM	ANTI TIP KITS

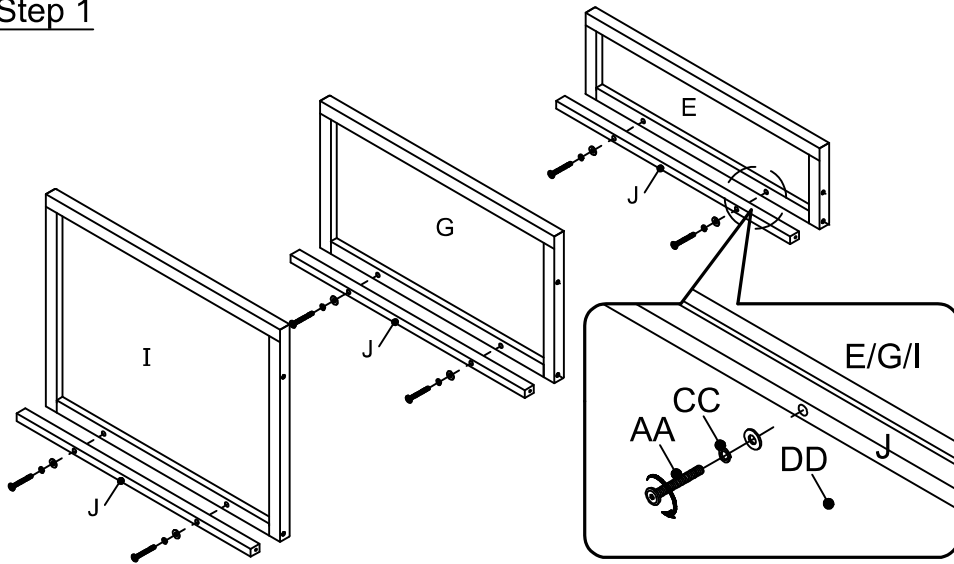


ASSEMBLY INSTRUCTIONS

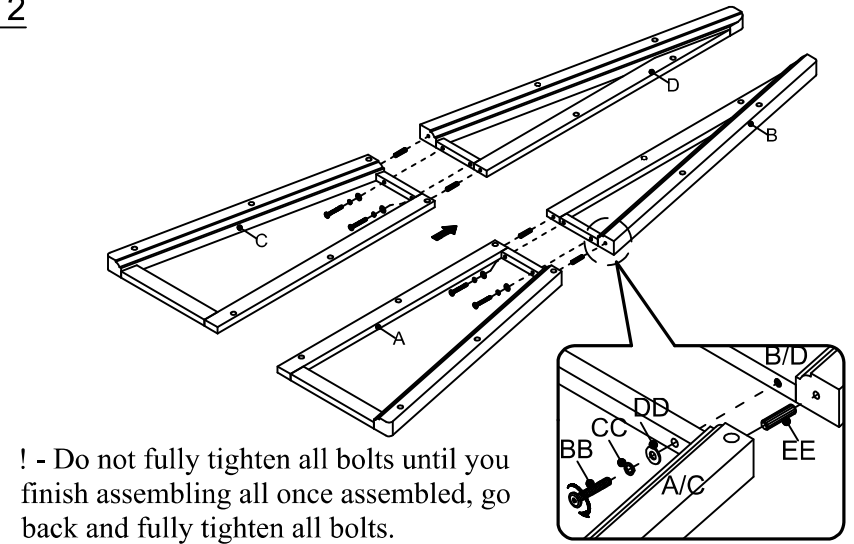
Read this instruction carefully. See hardware and furniture part list for guidance. Be sure all part is complete, before you assemble. Place all wooden furniture part on a clean and flat soft surface to prevent from being scratched. Follow the figure to start assembling.

- CAUTIONS :
1. Do not FULLY-TIGHTEN the nuts or bolts until all nuts or bolts are ready assembled.
 2. Do not OVER-TIGHTEN the nuts or bolts to avoid causing damages to the thread.
 3. Keep all hardware part out of reach of children.

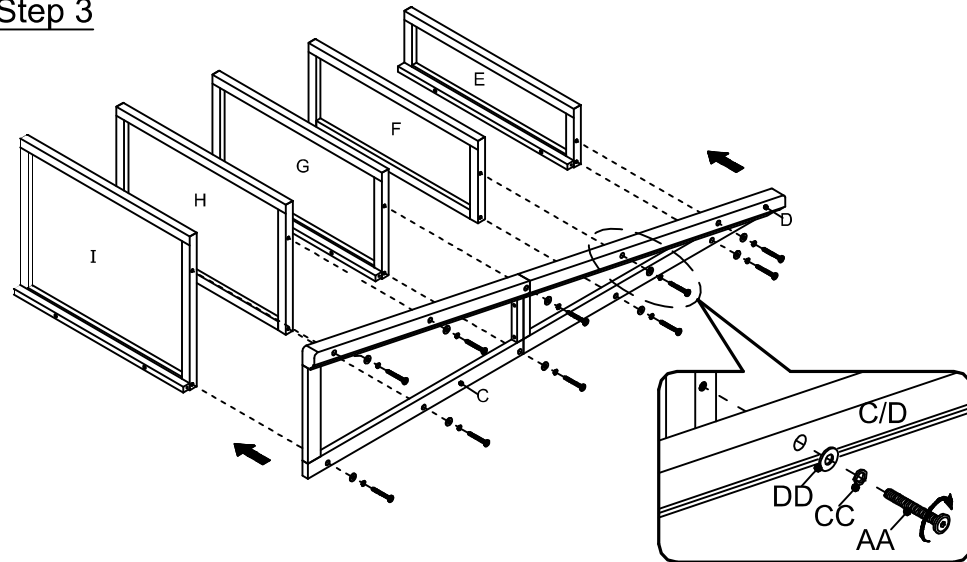
Step 1



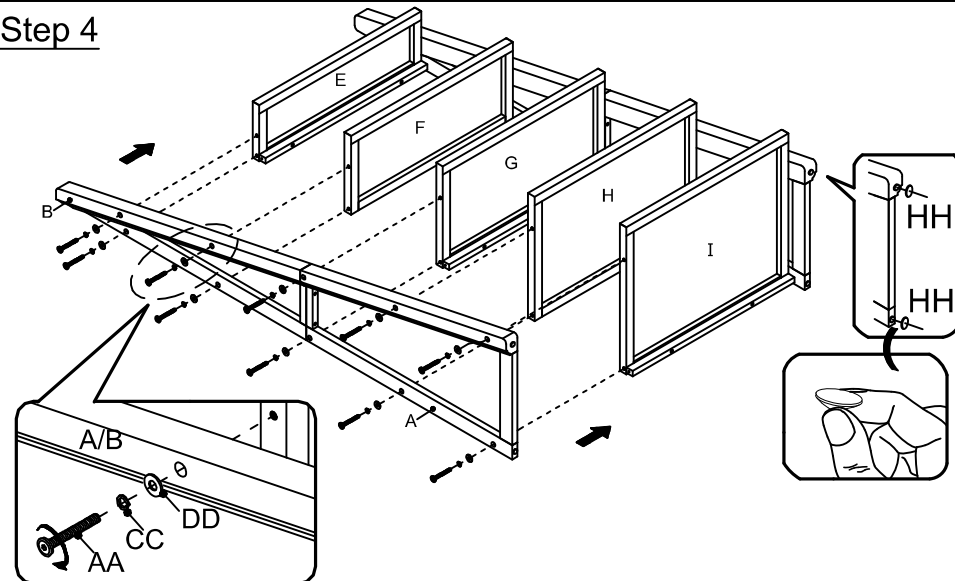
Step 2



Step 3



Step 4

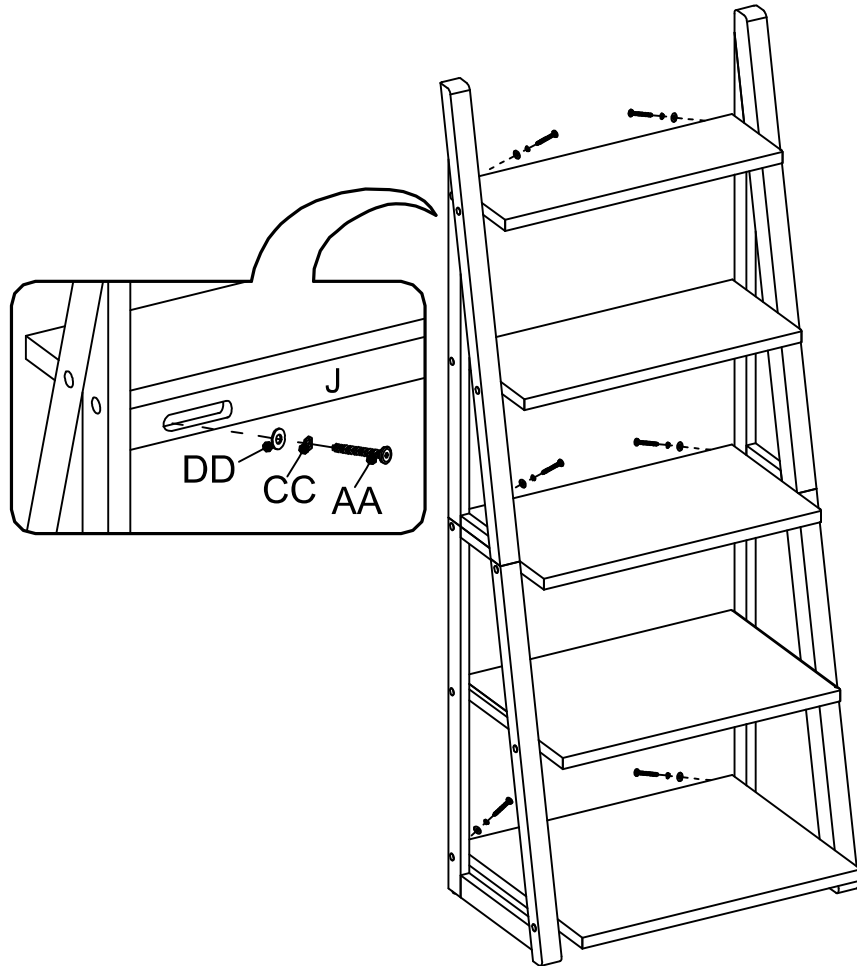


ASSEMBLY INSTRUCTIONS

Read this instruction carefully. See hardware and furniture part list for guidance. Be sure all part is complete, before you assemble. Place all wooden furniture part on a clean and flat soft surface to prevent from being scratched. Follow the figure to start assembling.

- CAUTIONS :**
1. Do not **FULLY-TIGHTEN** the nuts or bolts until all nuts or bolts are ready assembled.
 2. Do not **OVER-TIGHTEN** the nuts or bolts to avoid causing damages to the thread.
 3. Keep all hardware part out of reach of children.

Step 5



Step 6

