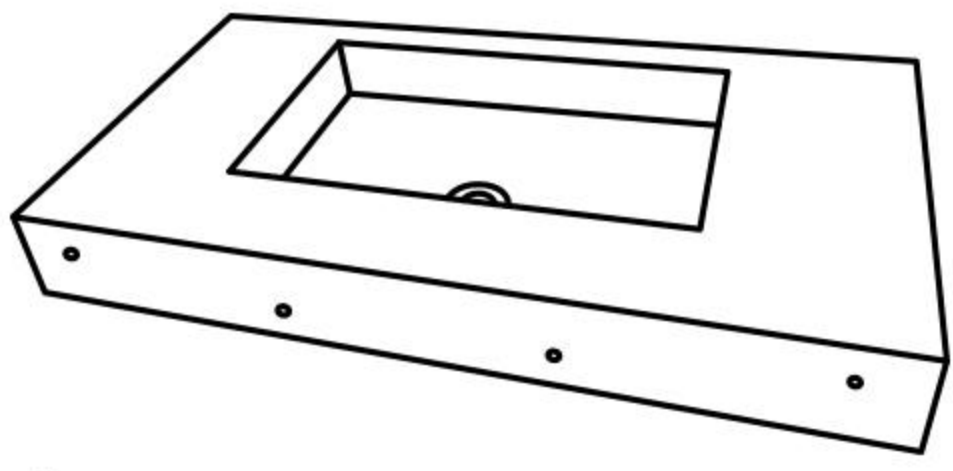


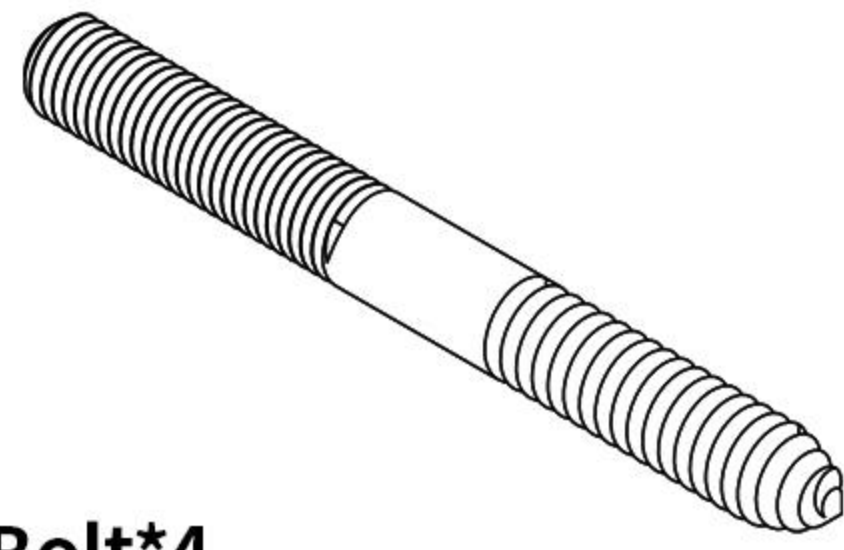
# Basin installation Instructions

Model: FS140-750

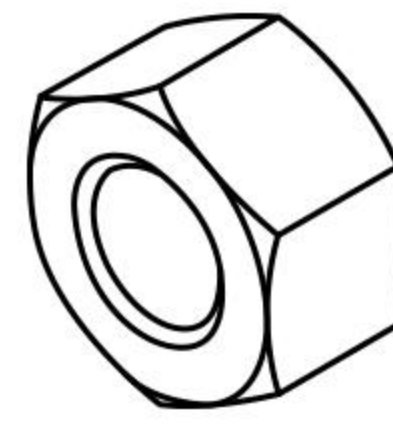
## Components:



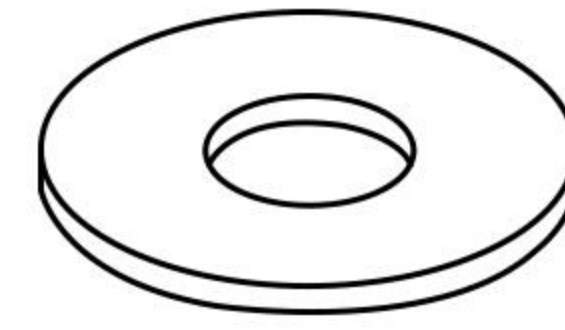
Basin\*1



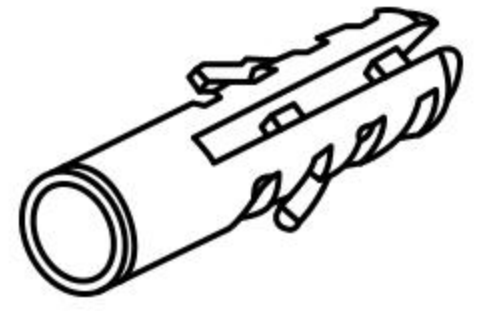
Bolt\*4



Nut\*4

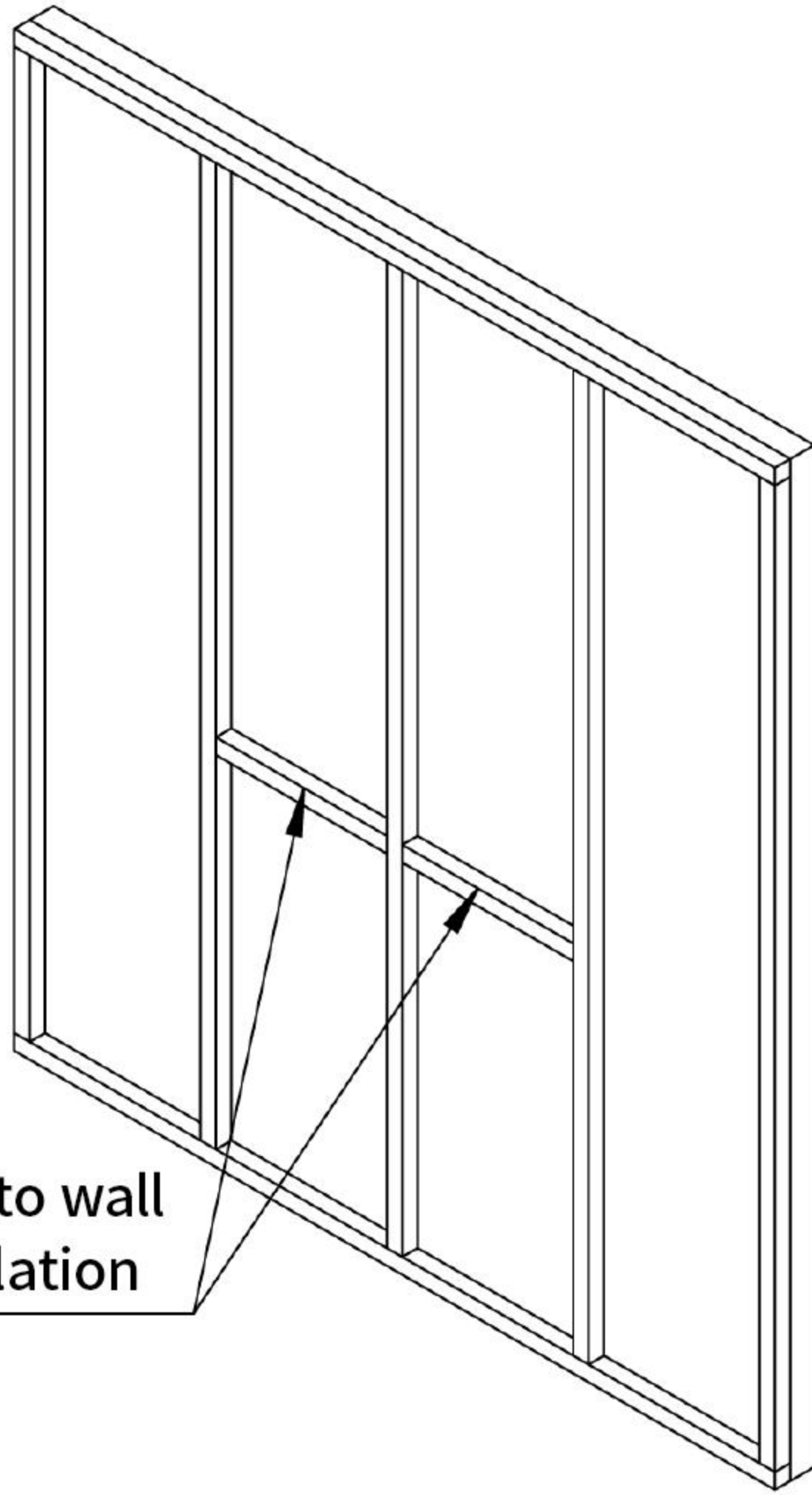


Metal Washer\*4



Expansion screw plastic\*4

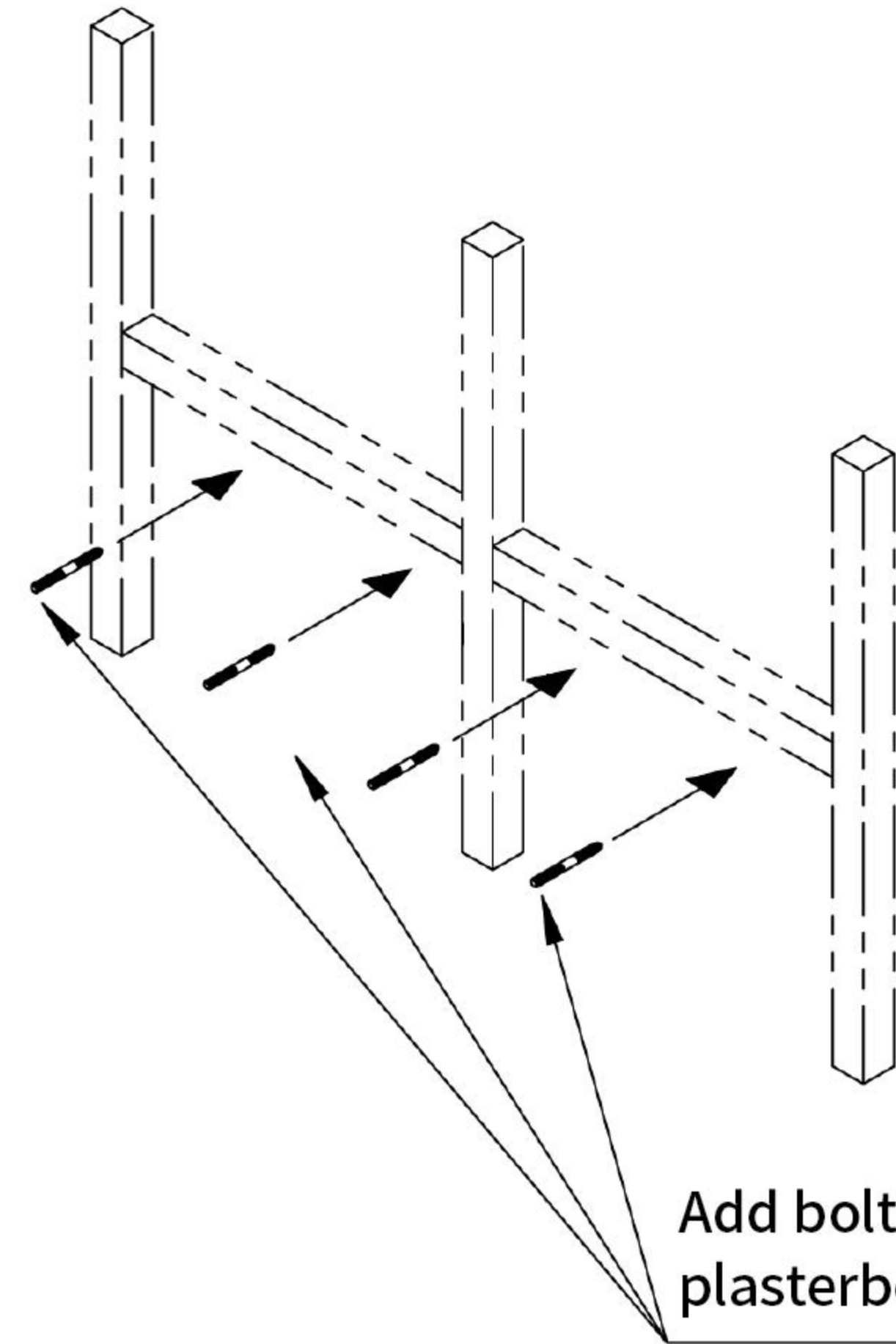
<1>



Add battens to wall before installation

**Note:** Product can be mounted on both concrete or timber-framed walls.

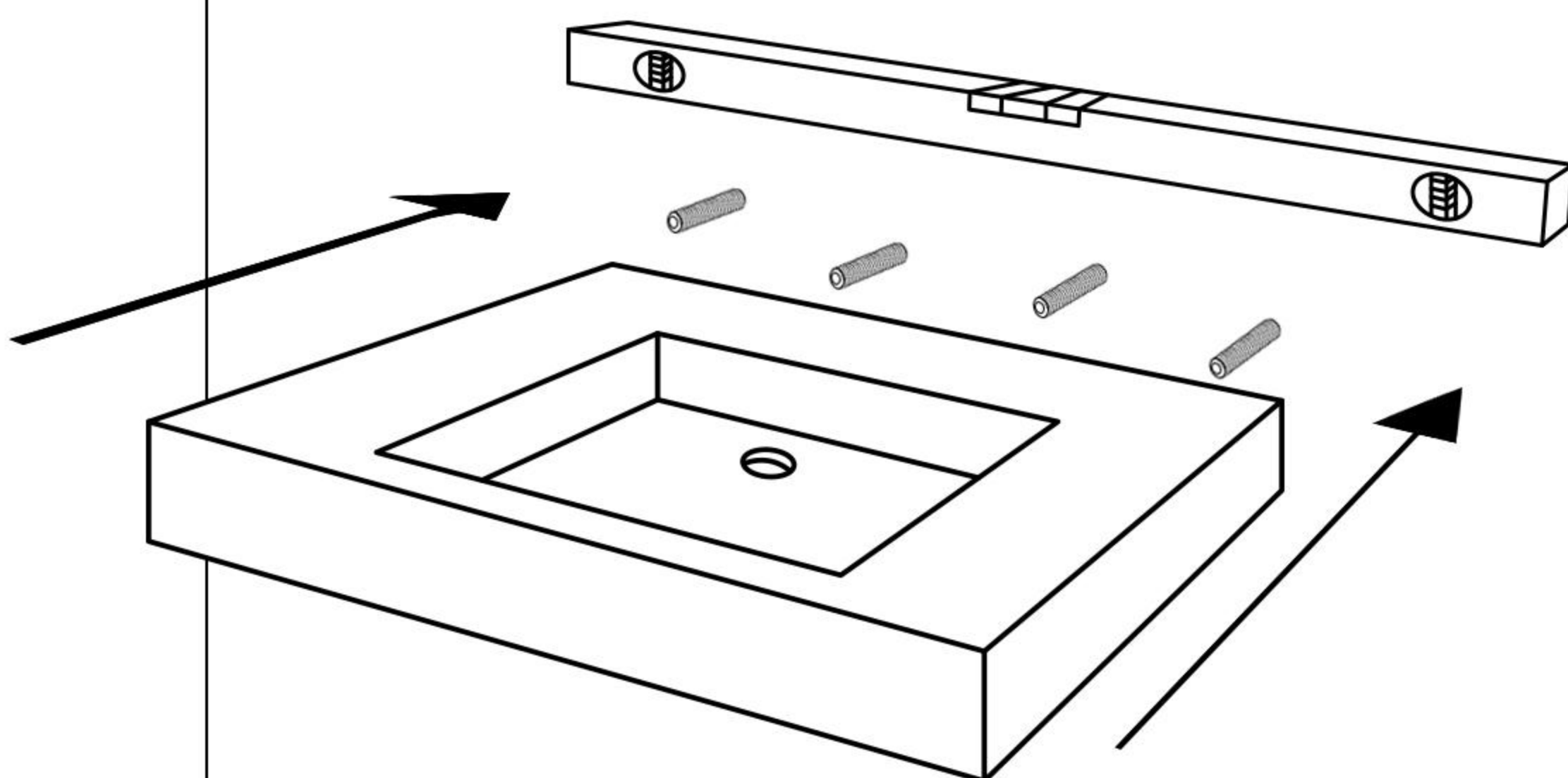
<2>



Add bolts to plasterboard

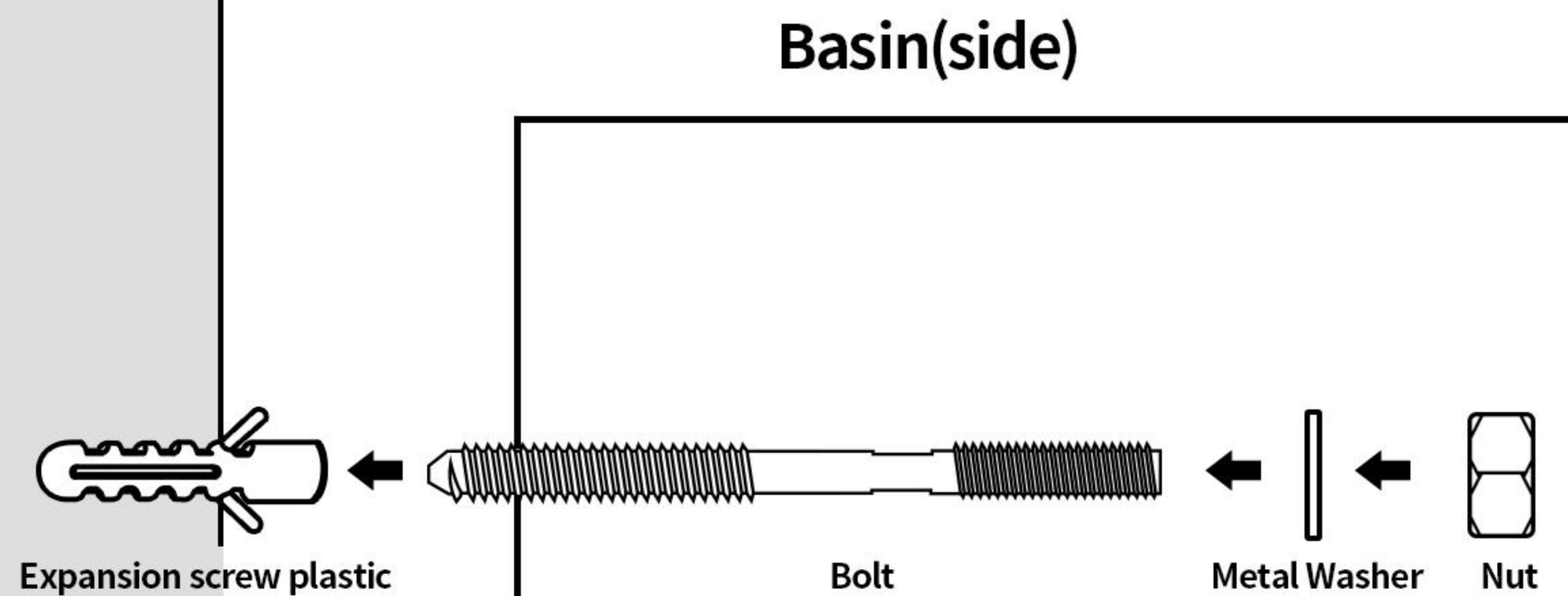
**⚠ Important!** Before installing, ensure there is sufficient timber framing in the wall to securely fasten your basin to.

<3>



Before fixing the basin in place, ensure that the basin is sitting level.

<4>



Screw a metal nut onto each fixing bolt to secure the basin.  
**Caution:** do not over tighten as this may damage the basin/top.