

*All For A Better Life*

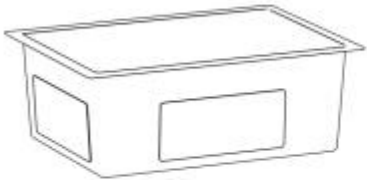
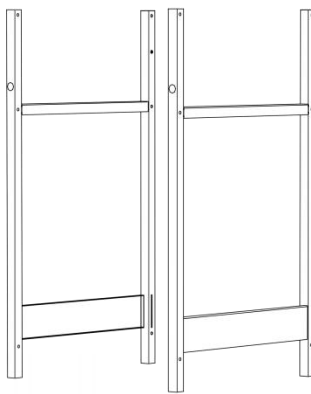




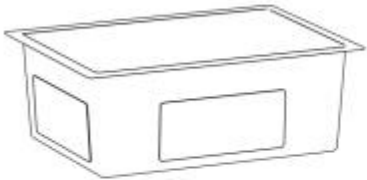

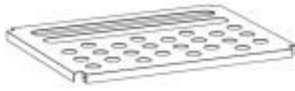
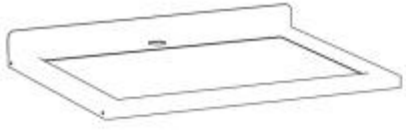

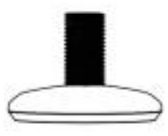
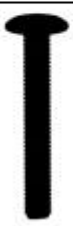





# USERS' MANUAL



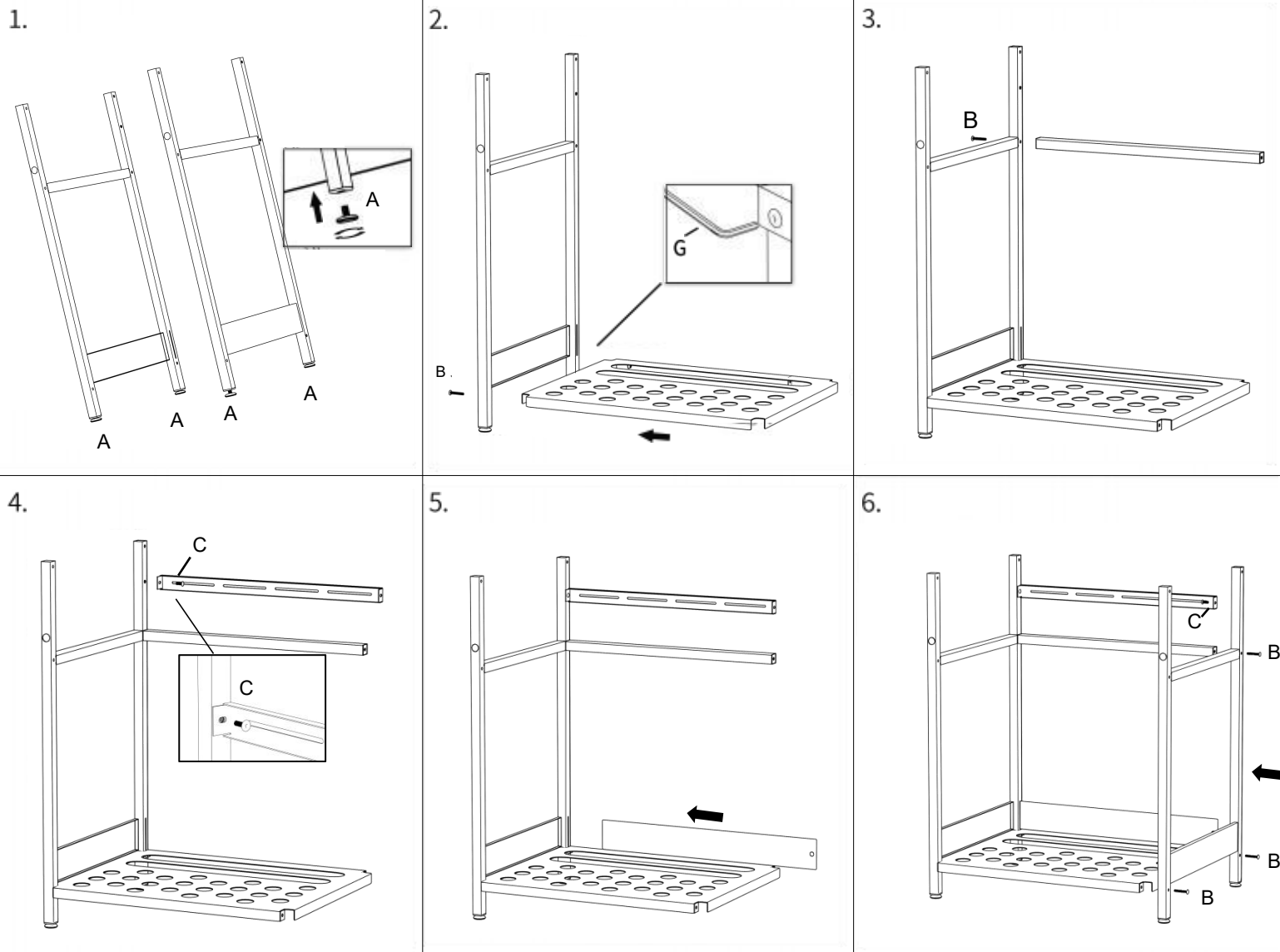
## **Utility Sink With Faucet**

Model Number: SC172, SC173, SC174, SC175, SC176

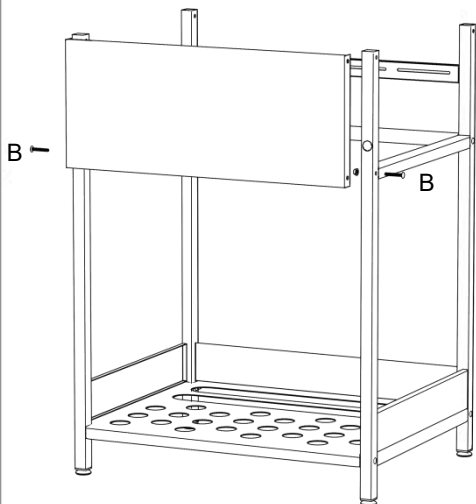
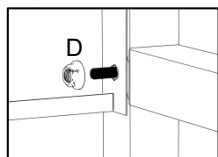
# PACKING LIST

 <b>Sink*1</b>	 <b>Leg*1</b>	 <b>Towel Bar*1</b>	 <b>Back Shelf Panel*1</b>			
 <b>Frame*1</b>		 <b>Wall Bracket*1</b>				
		 <b>Sink*1</b>	 <b>Back Bar*1</b>	 <b>Undershef*1</b>		
 <b>Frame*1</b>	 <b>Front Plate*1</b>					
 <b>A*4</b>	 <b>B*12</b>	 <b>C*4</b>	 <b>D*6</b>	 <b>E*2</b>	 <b>F*2</b>	 <b>G*1</b>

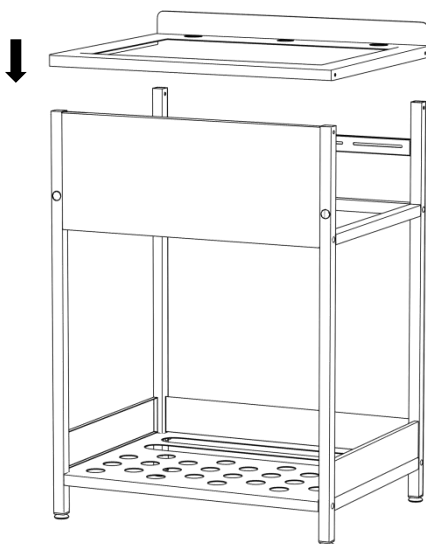
# Installation Steps



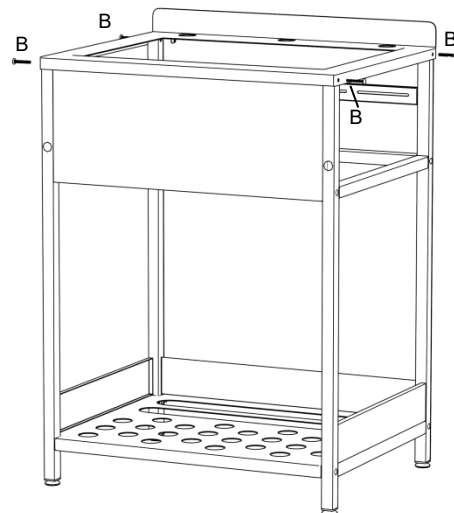
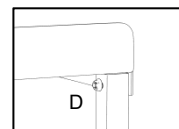
7.



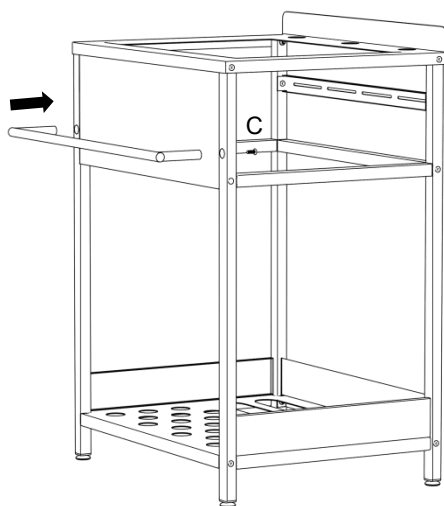
8.



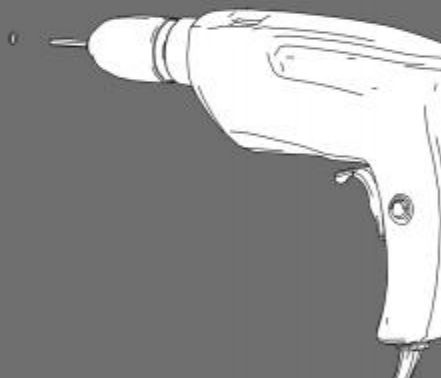
9.



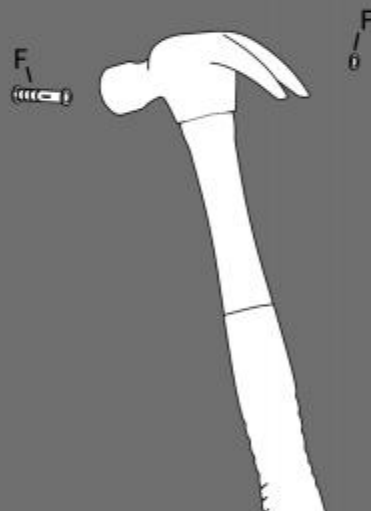
10.



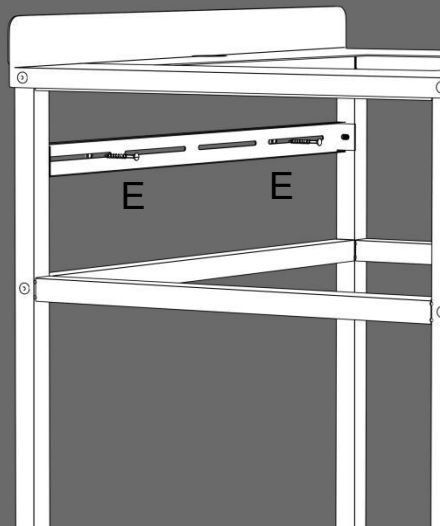
11.



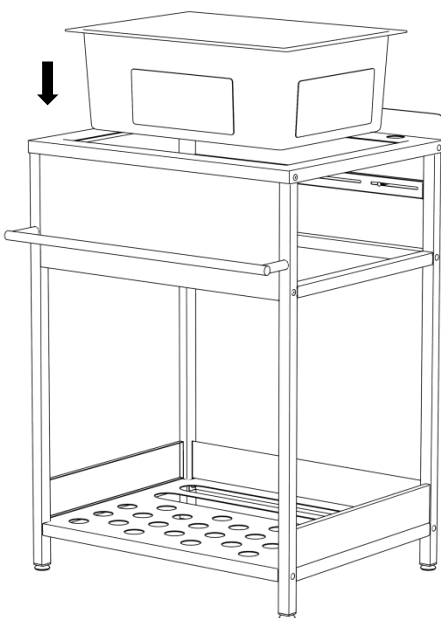
12.



13.



14.

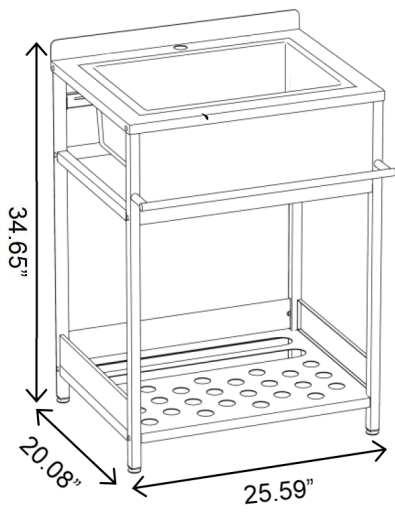


15.

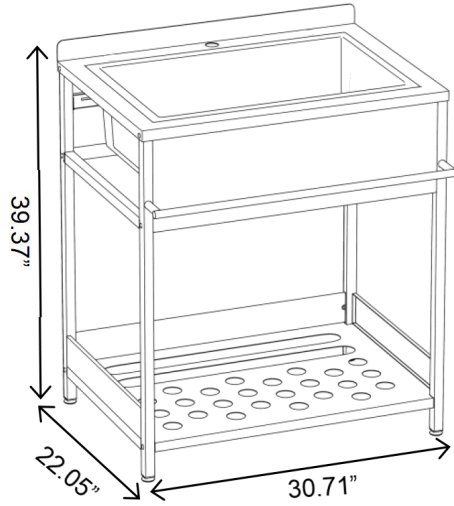


# Product Dimension

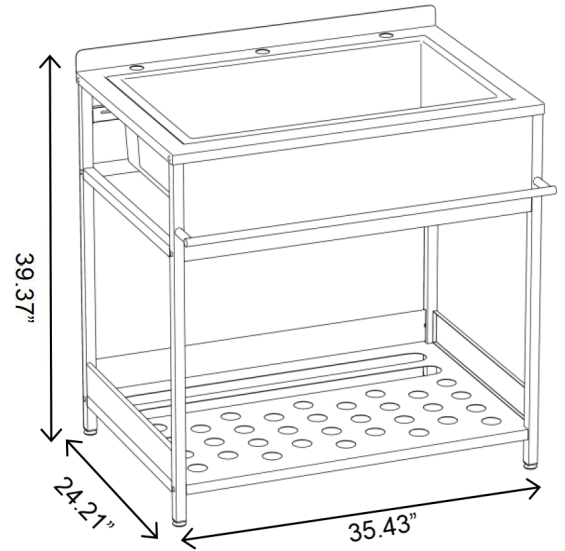
**SC172**



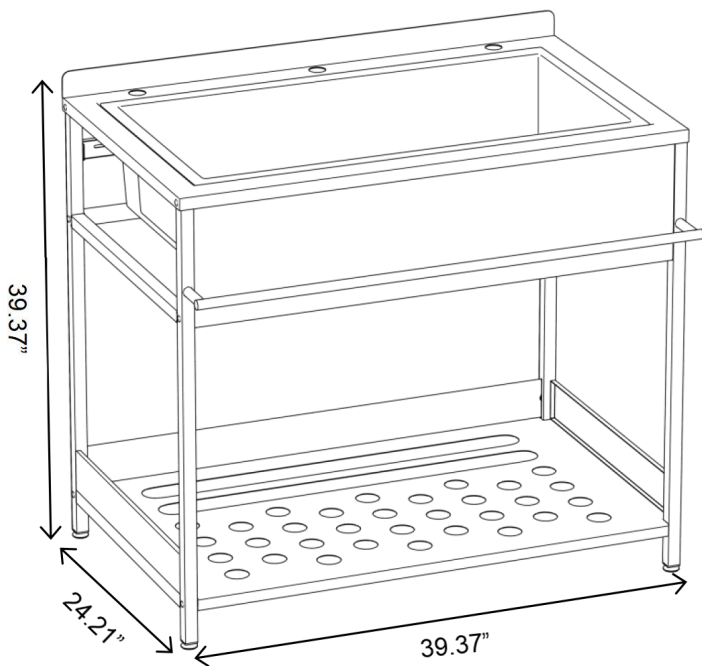
**SC173**



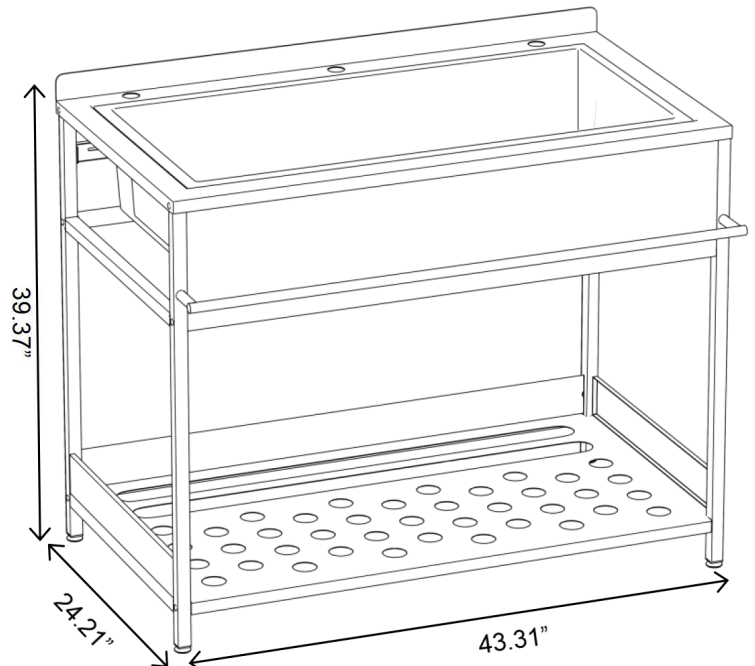
**SC174**



**SC175**



**SC176**



## WARRANTY

We offers a 12-month warranty to all of our products together with the original proof of purchase when a defect occurred, including those newly purchased and unused, from us or through an authorized reseller, wholly or substantially, or as a result of faulty manufacturing parts, or workmanship during the Warranty Period. The warranty does not apply if damage is caused by other factors, including but without limitation of: Please fill out all required fields and include your Order ID, Date of Purchased if applicable.

- (a) Normal wear and tear;
- (b) Abuse, mishandling, accident, or failure to follow operating instructions;
- (d) Servicing or modifications of the product other than by us.

The warranty covers all costs related to restoring the proven defective product through repair or replacement of any defective part and necessary labor so that it conforms to its original specifications. A replacement product may be provided instead of repairing a defective product. Our exclusive obligation under this warranty is limited to such repair or replacement.

These are our general terms for warranty service, but we always urge our customers to reach out to us with any issue, regardless of warranty terms.

If you have an issue with our product, please contact us at

[support@doketech.com](mailto:support@doketech.com) and we will do our best to

resolve it for you.

Remark: all the product drawings involved in this manual shall be subject to the object. All the contents of this manual have been strictly checked and proofread, but there is possibility of incorrect typesetting or printing.

Please feel free to understand

**Contact Us:**

***support@doketech.com***

***All For A Better Life***