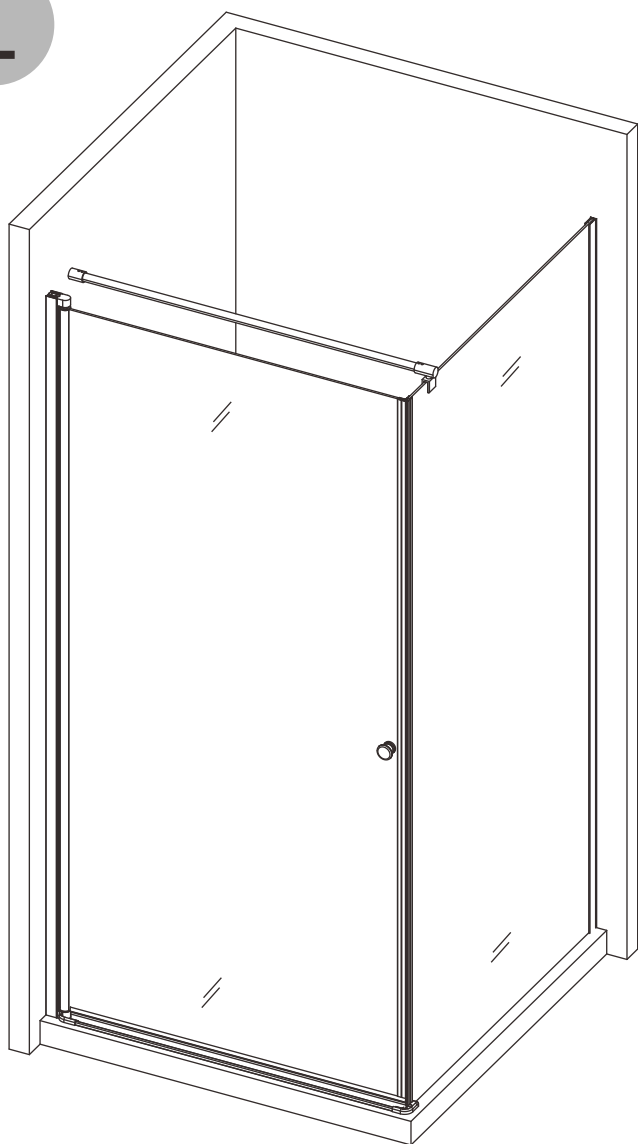
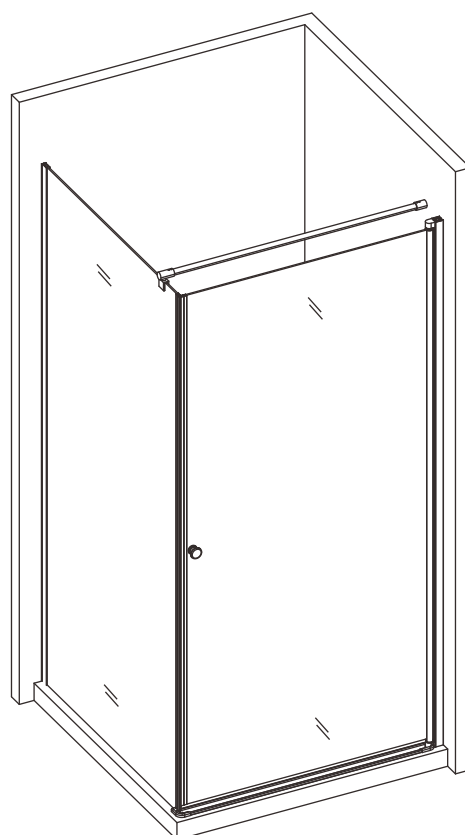


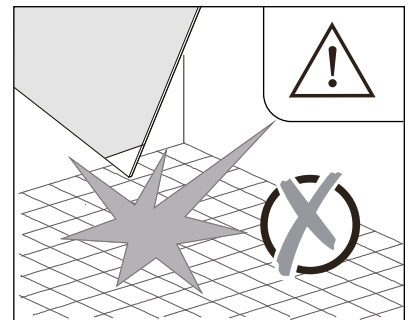
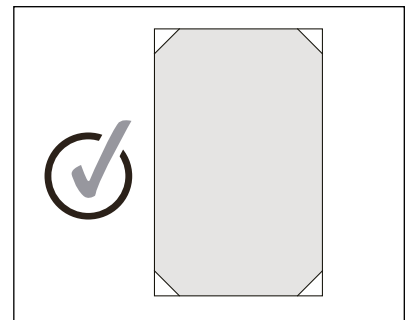
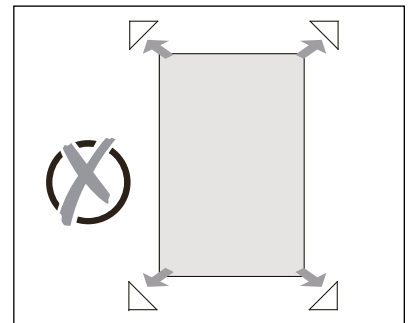
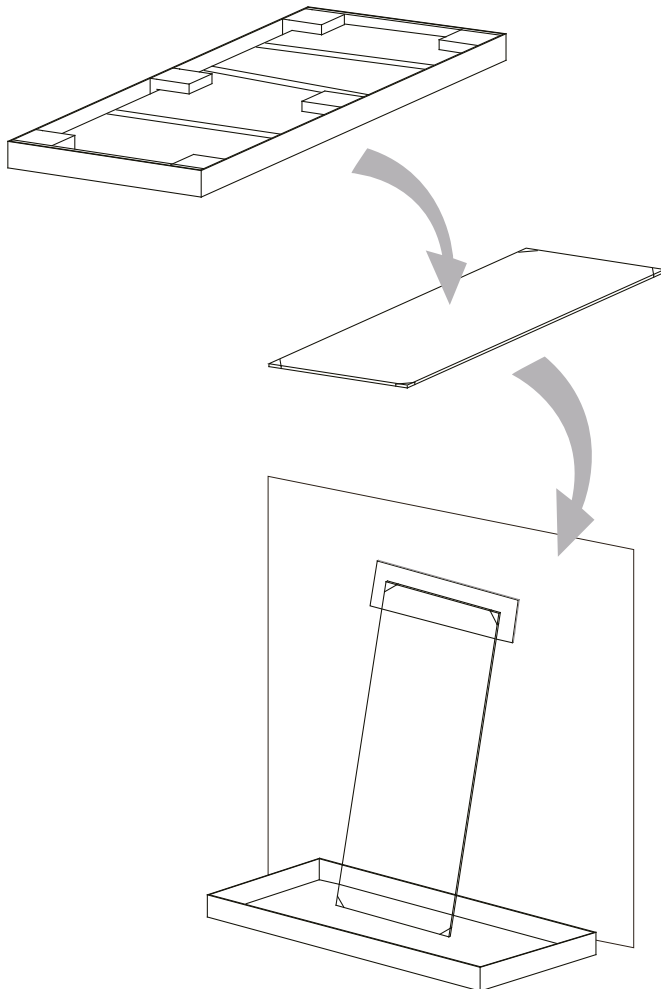
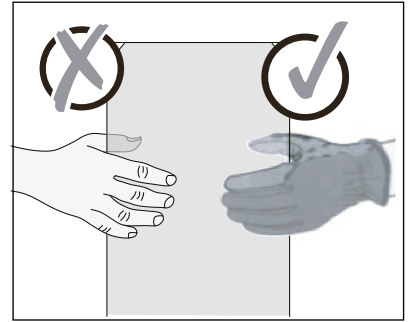
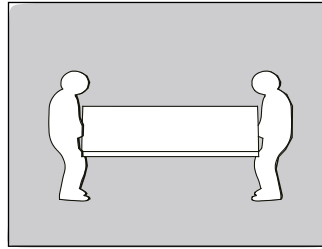
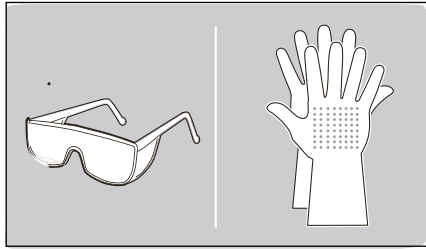
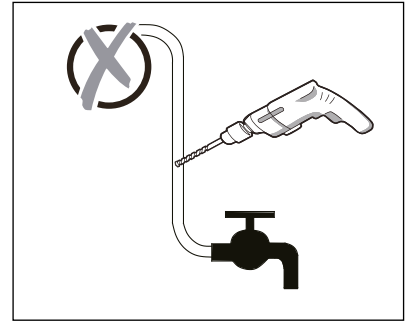
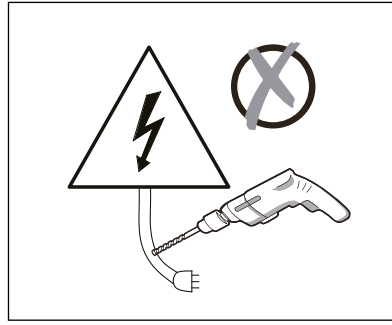
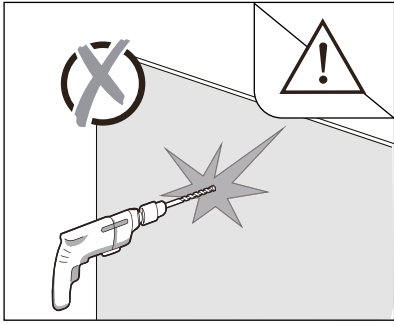
# RDR21

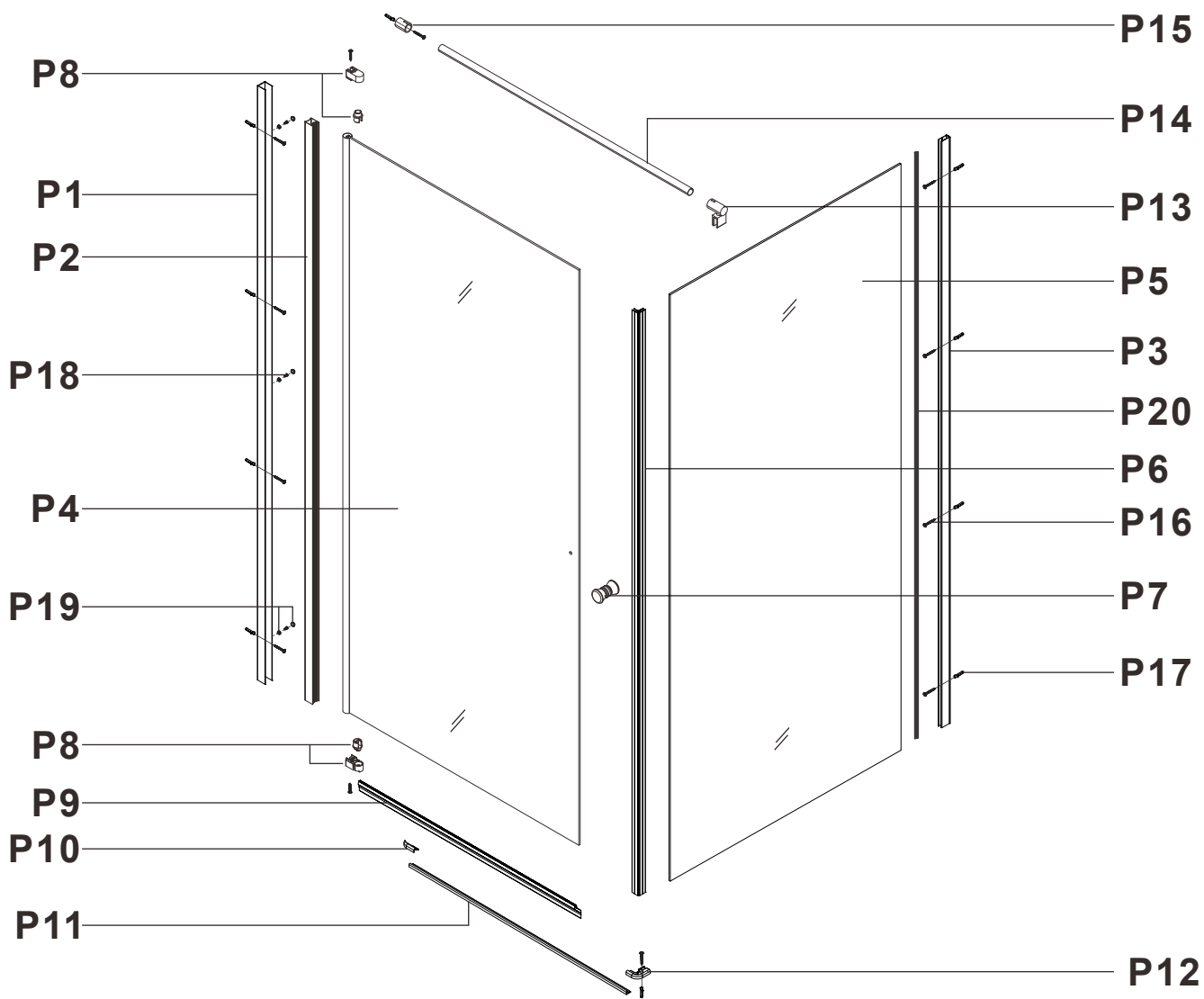
L

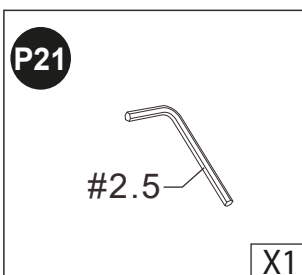
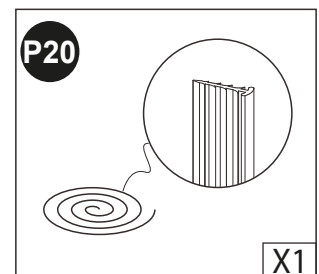
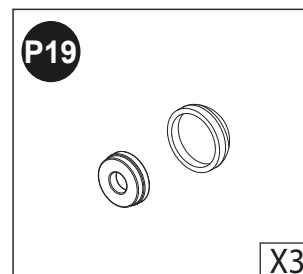
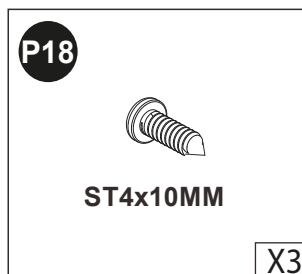
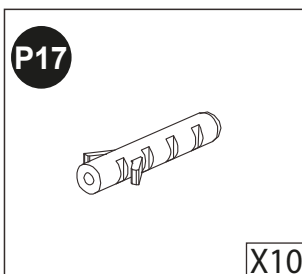
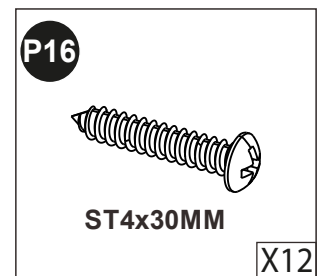
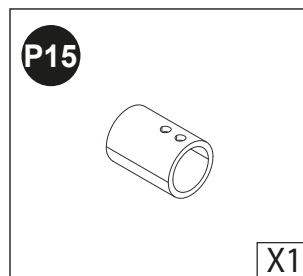
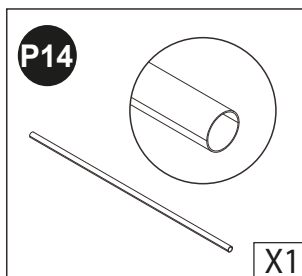
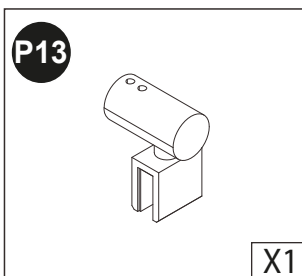
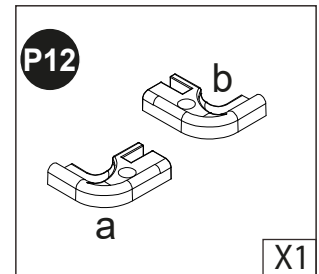
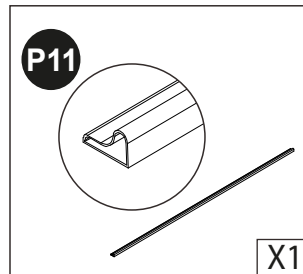
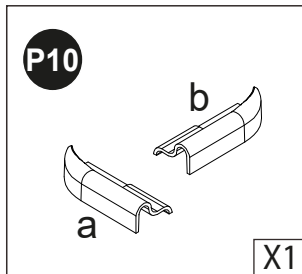
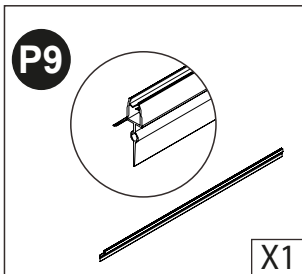
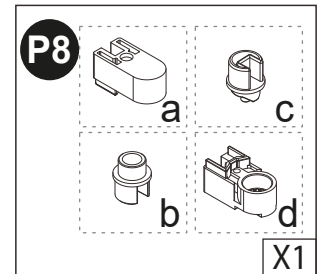
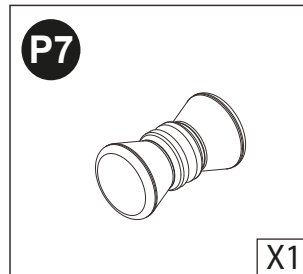
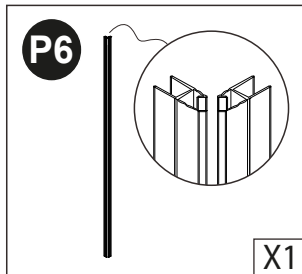
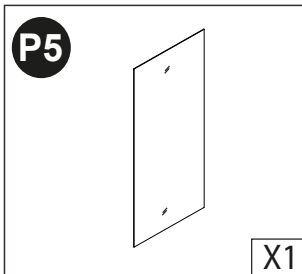
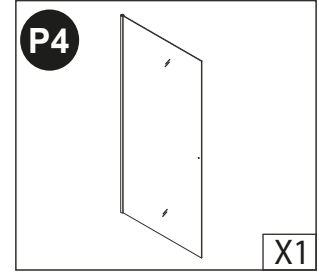
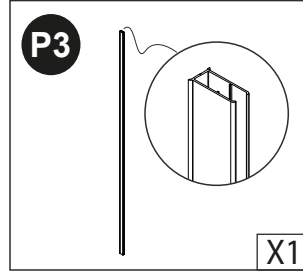
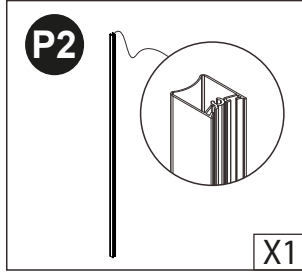
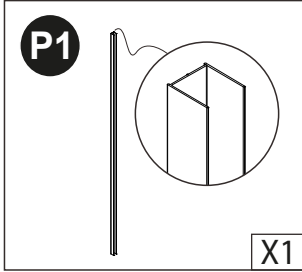
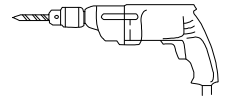
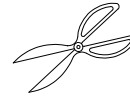
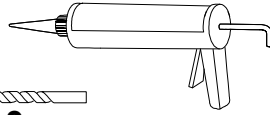
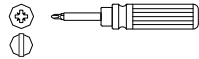
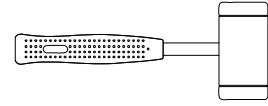
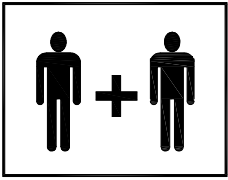


R

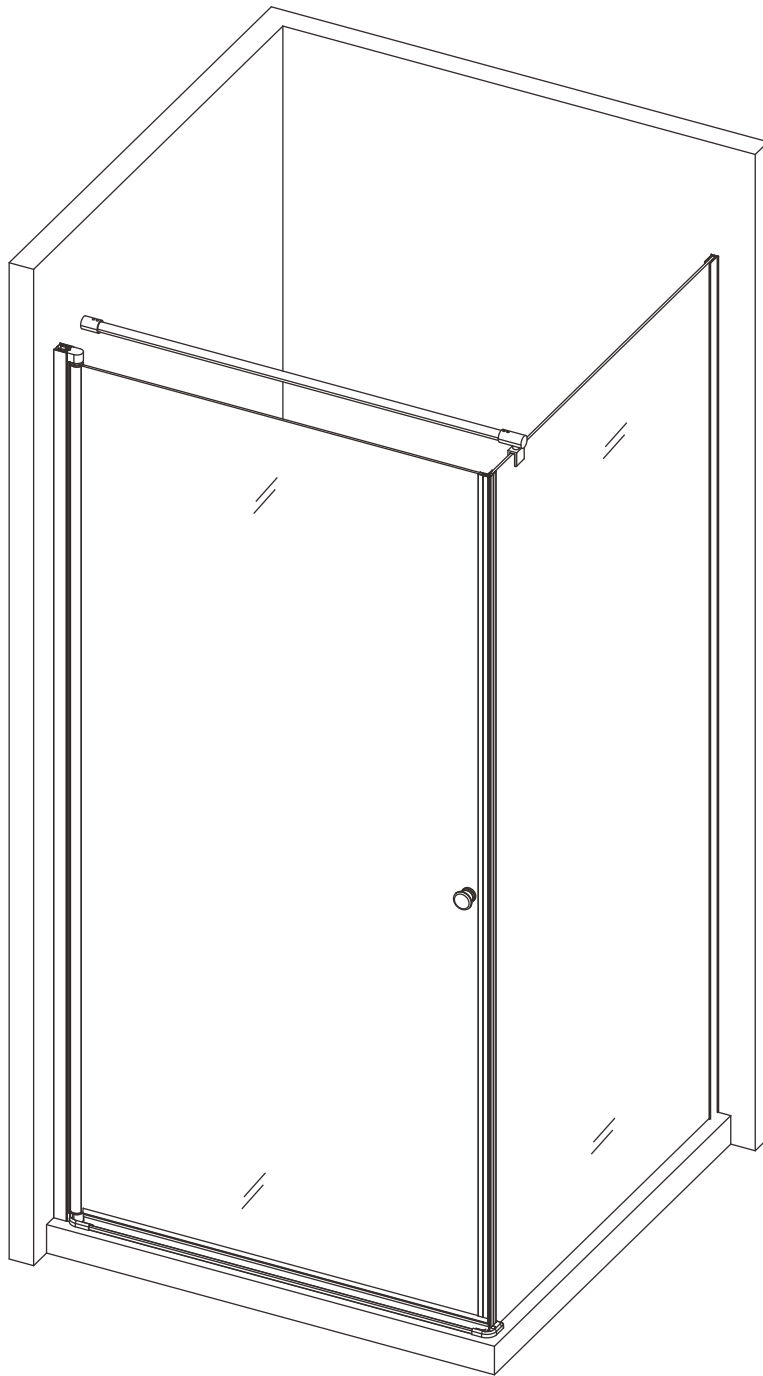


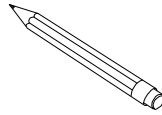
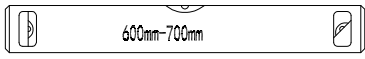




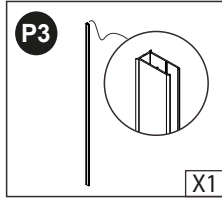
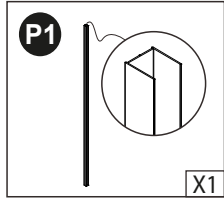


L

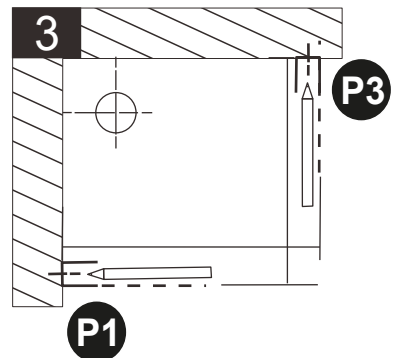
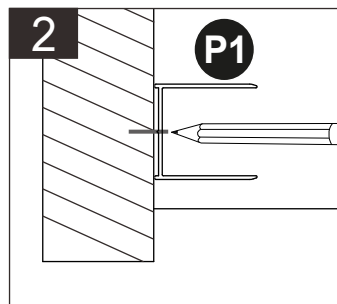
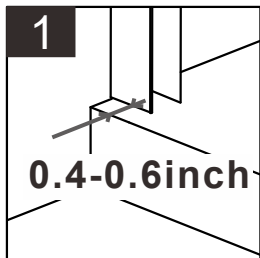
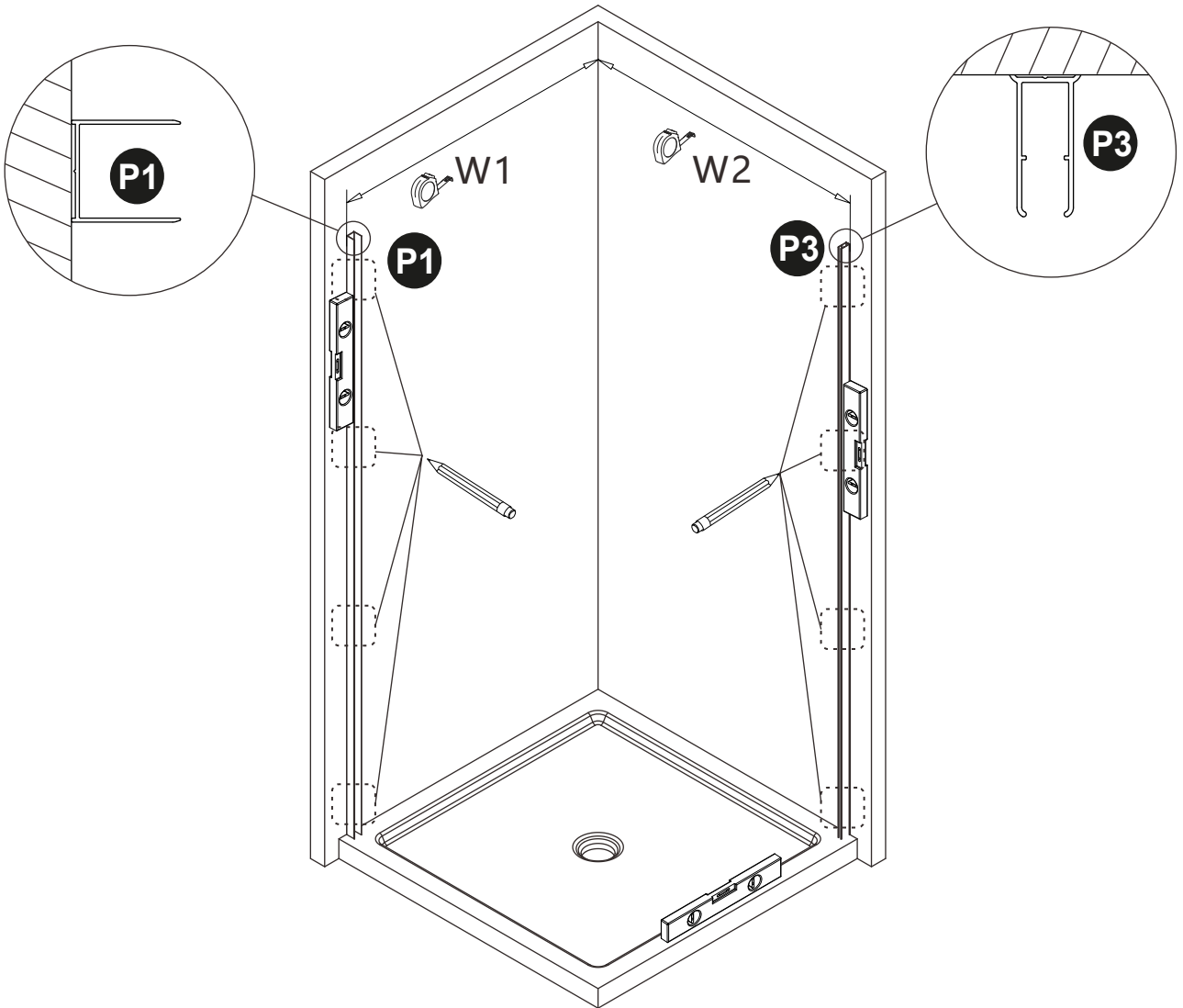


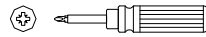
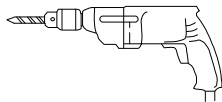
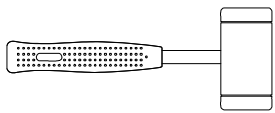


**1**



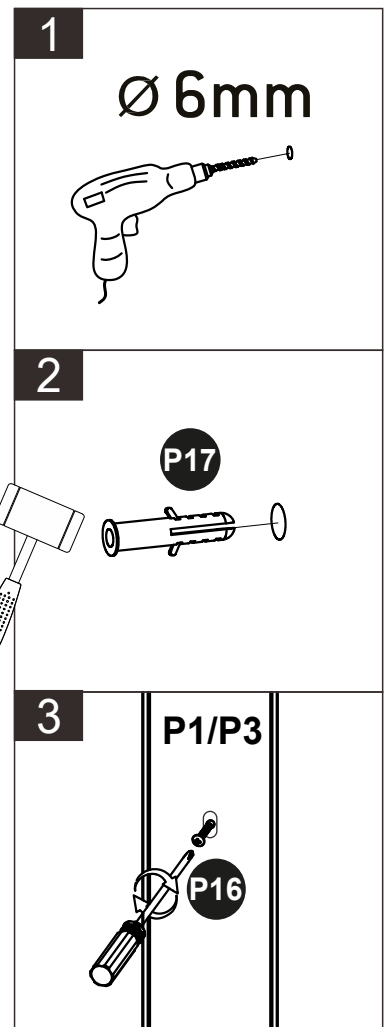
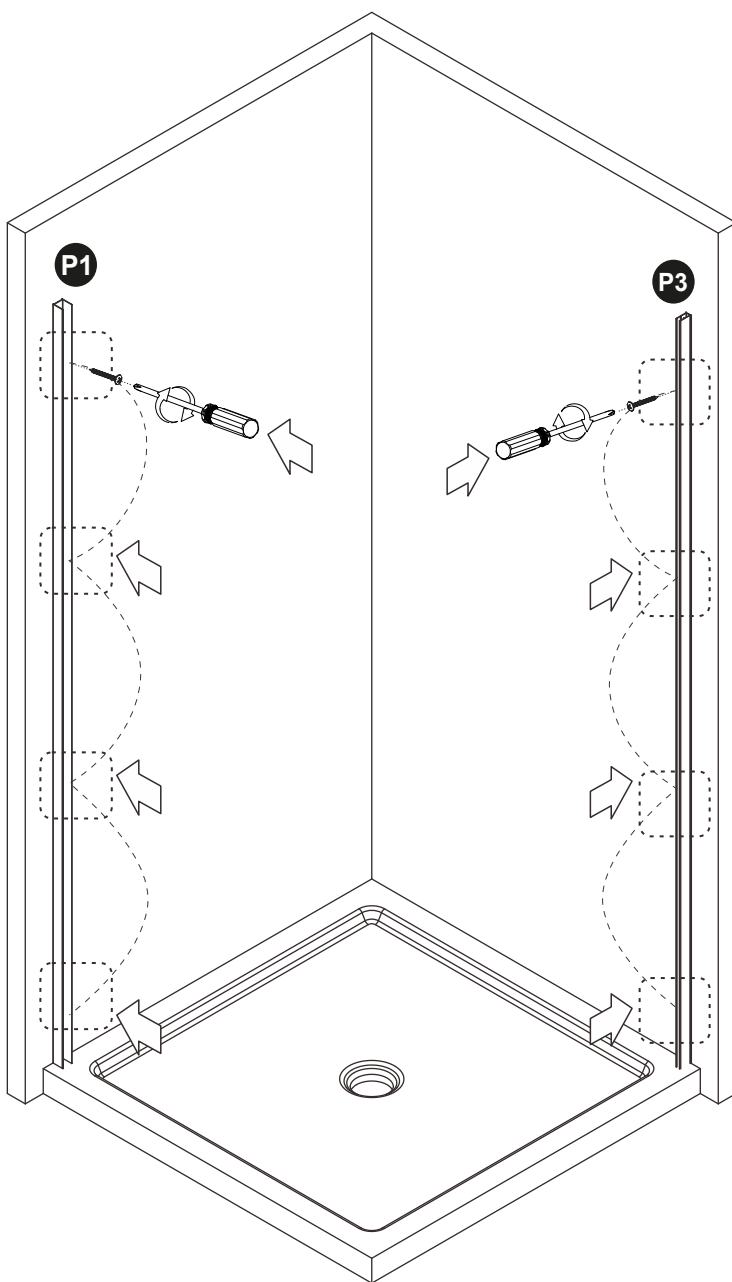
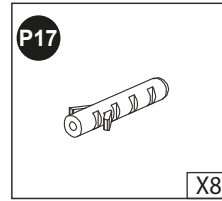
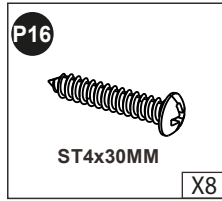
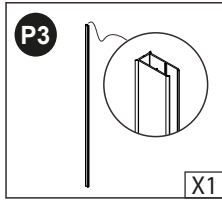
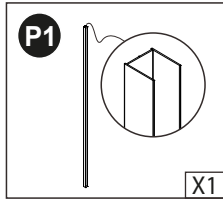
	W1(inch)	W2(inch)
36x36	35.4-36	35.4-36

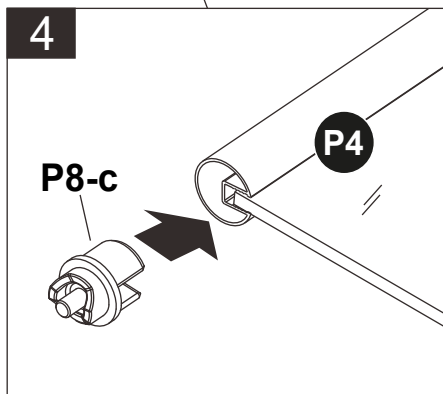
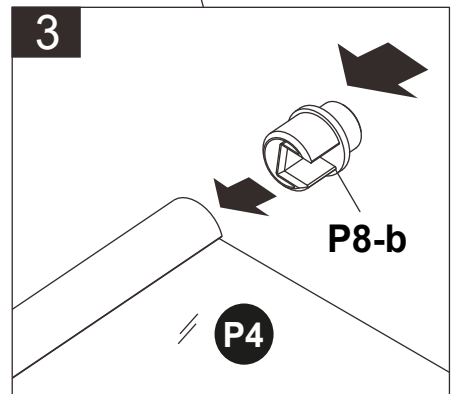
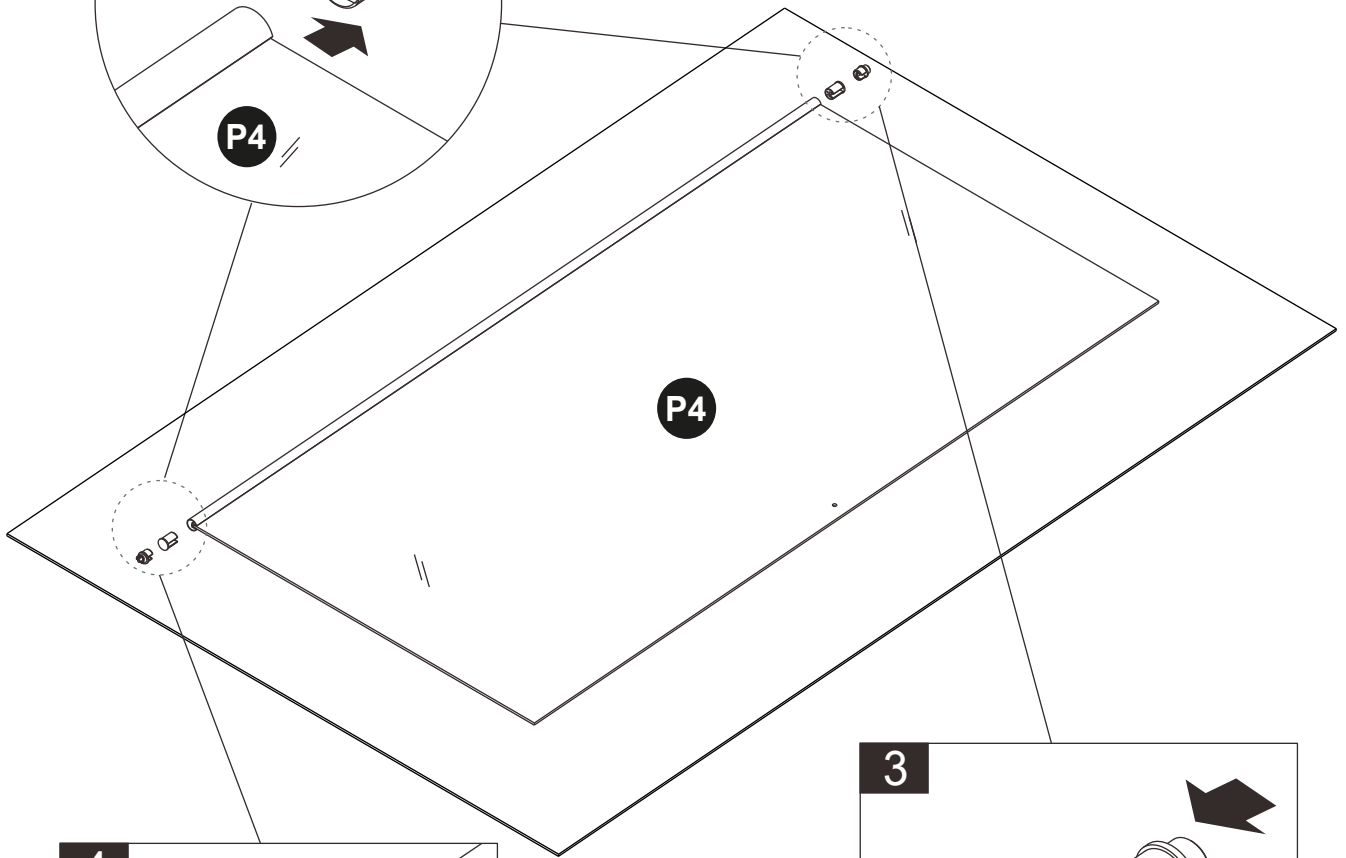
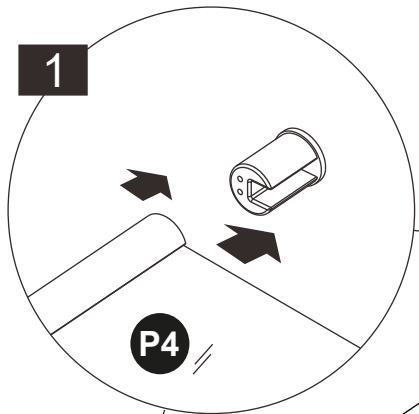
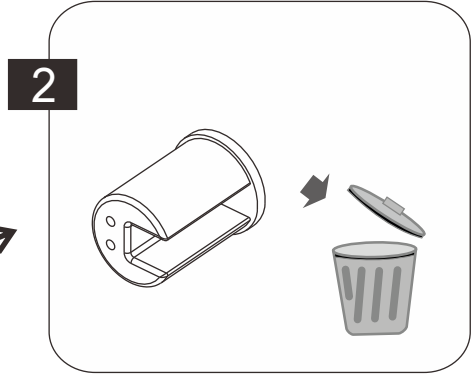
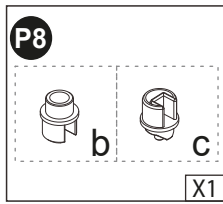
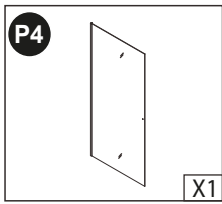


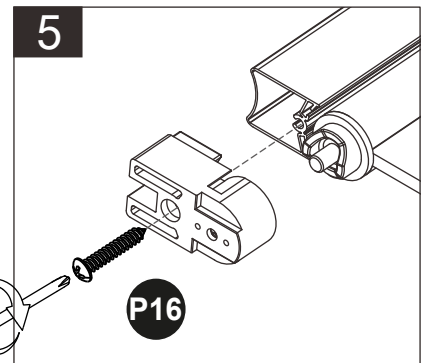
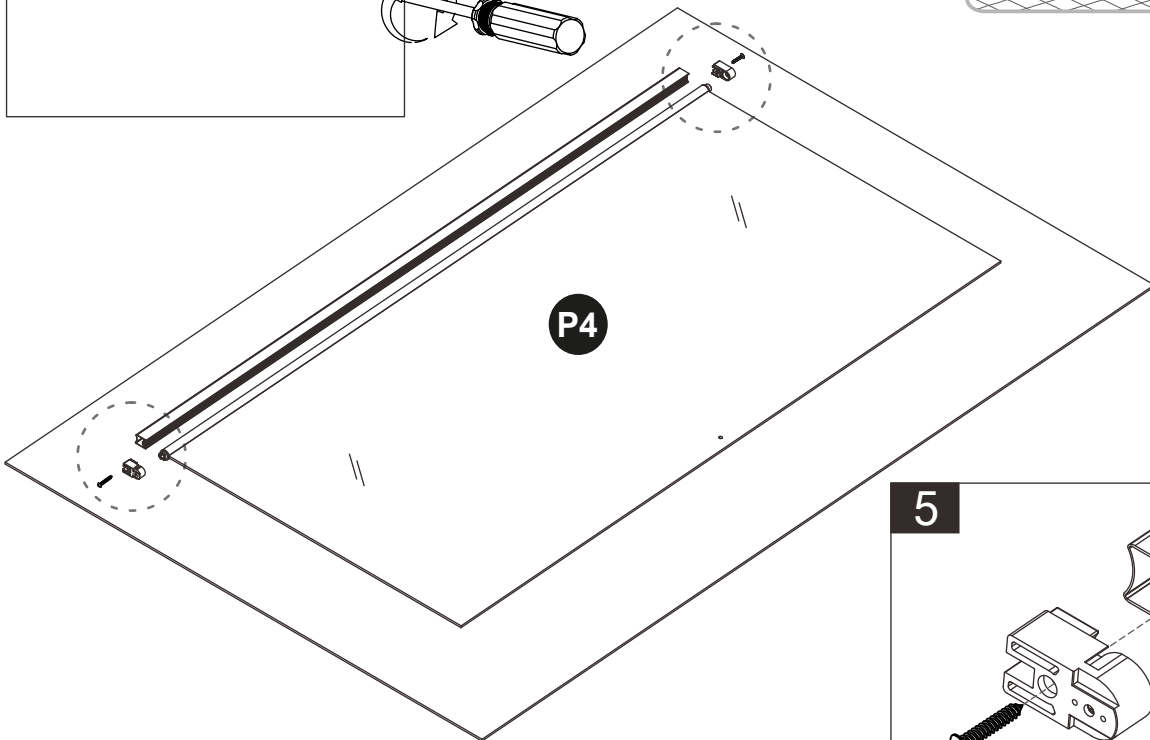
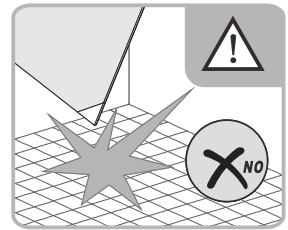
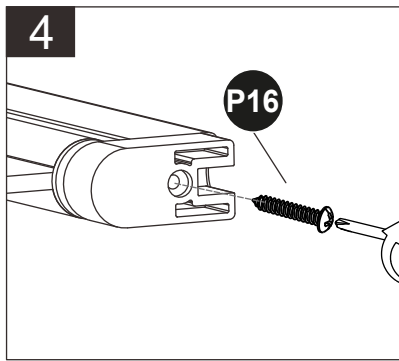
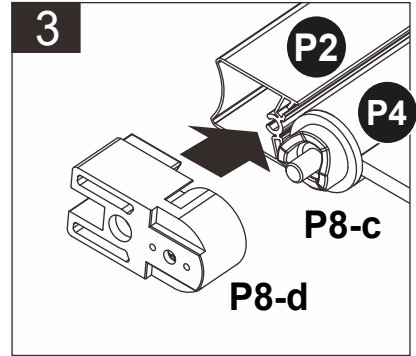
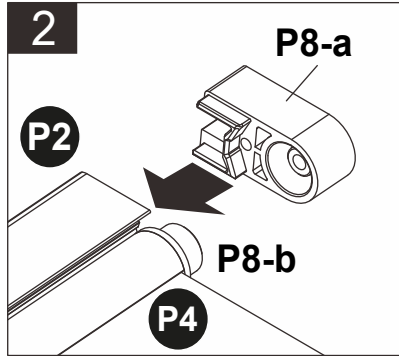
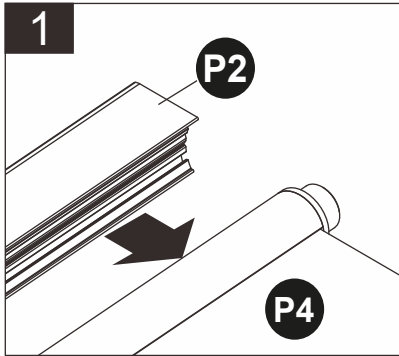
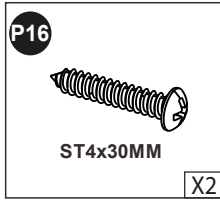
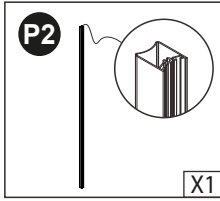
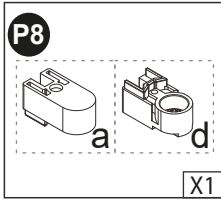
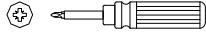


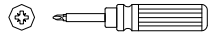
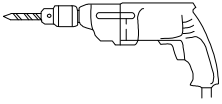
Ø 6mm

2



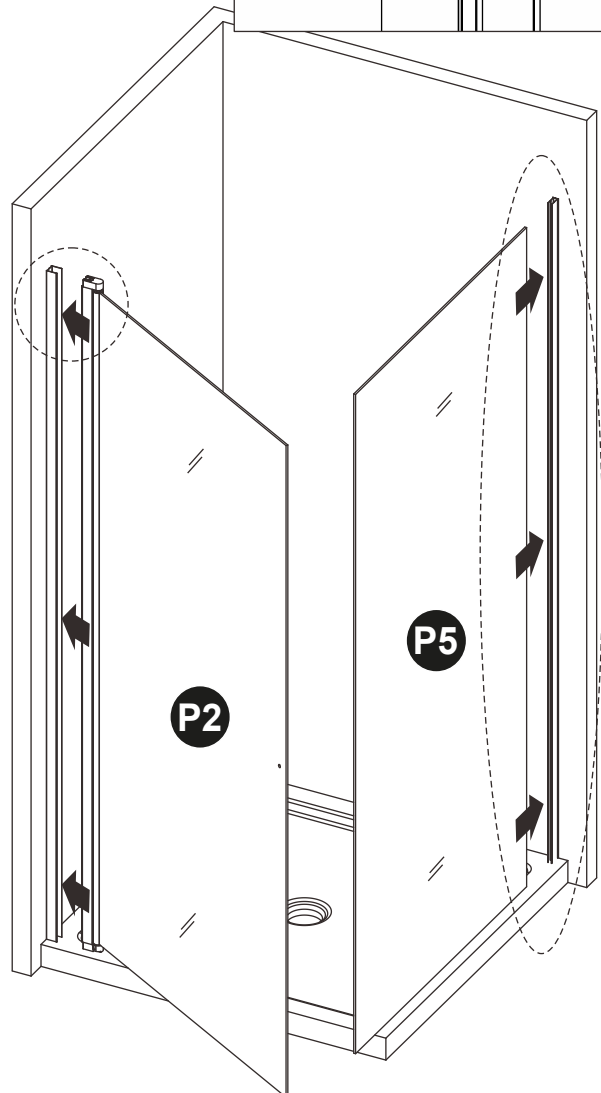
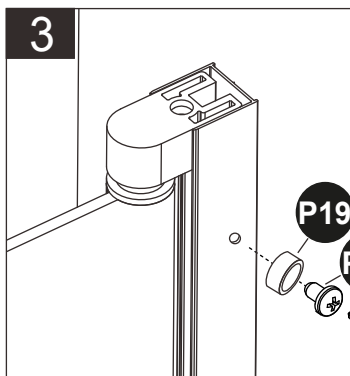
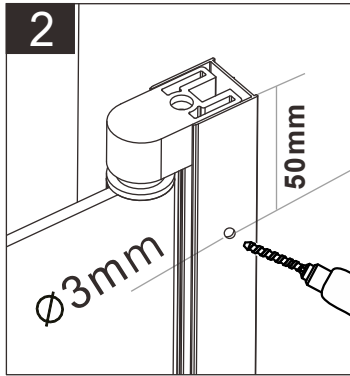
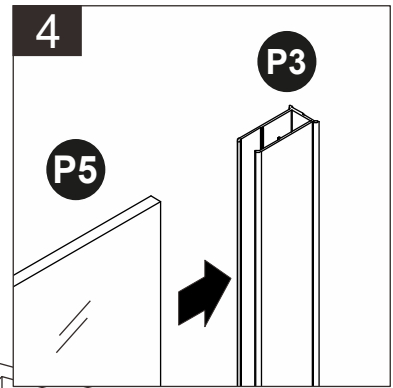
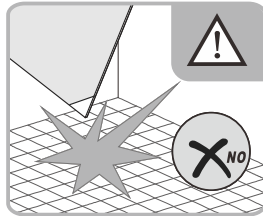
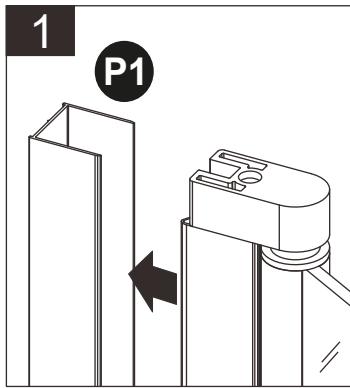
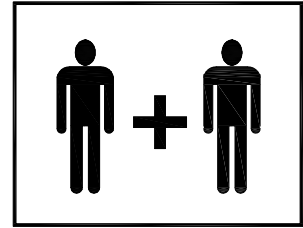
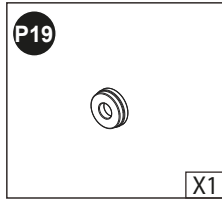
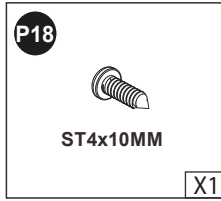
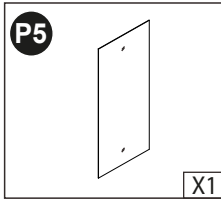


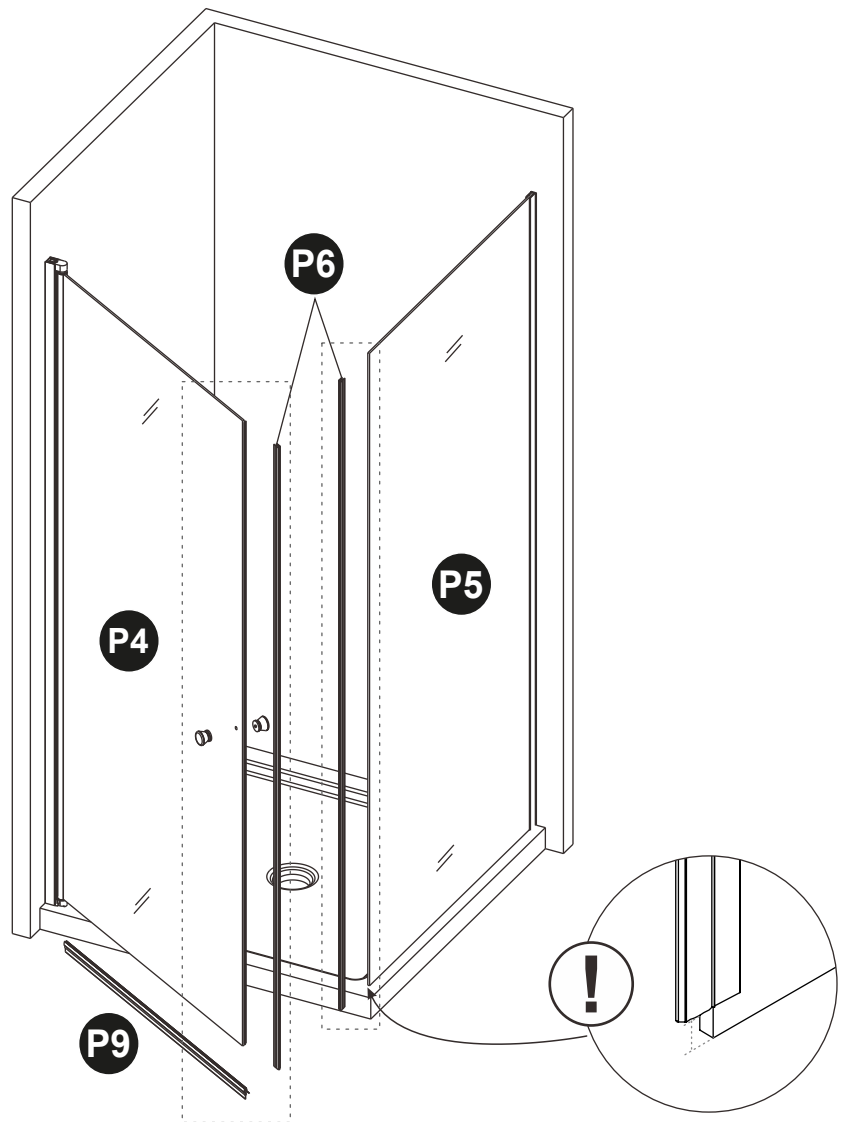
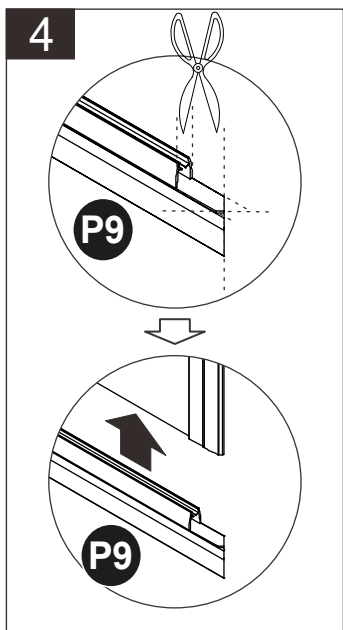
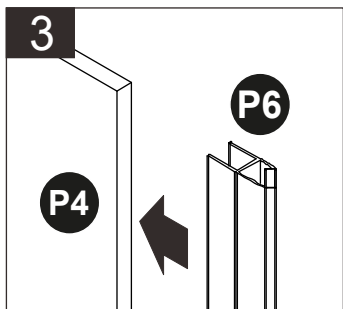
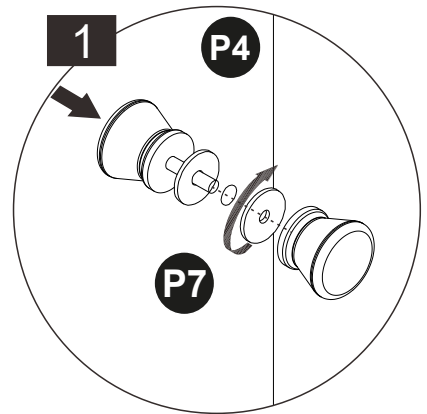
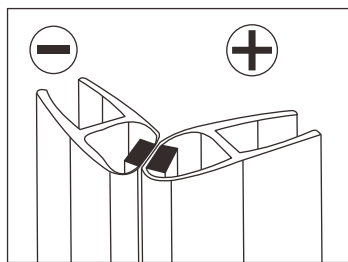
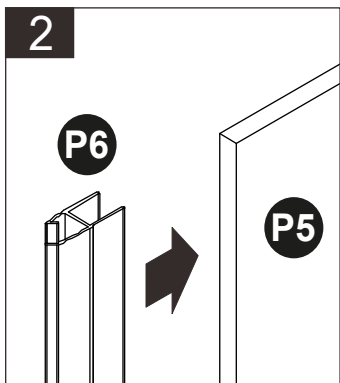
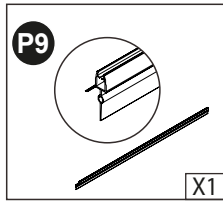
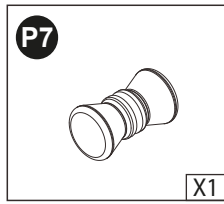
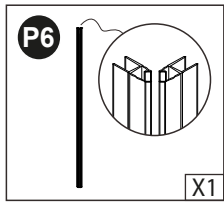
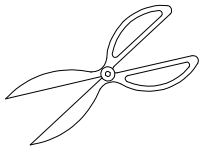


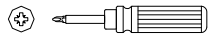
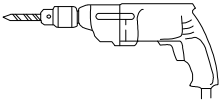


Ø 3mm

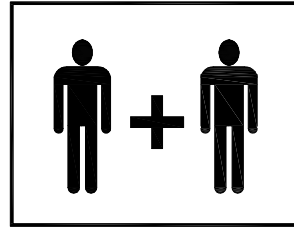
5



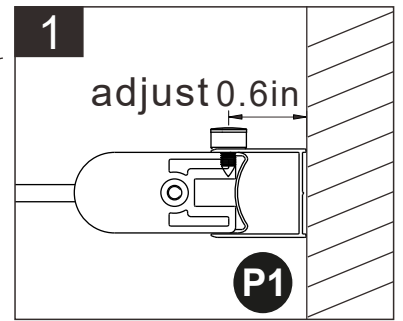
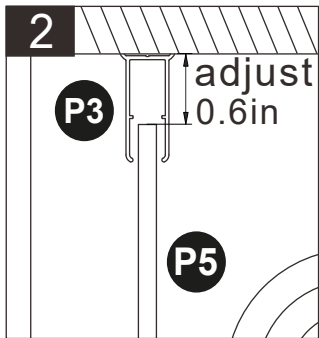
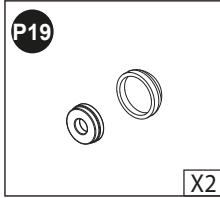
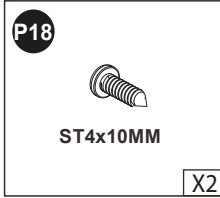




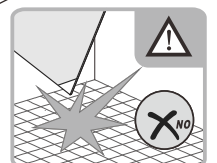
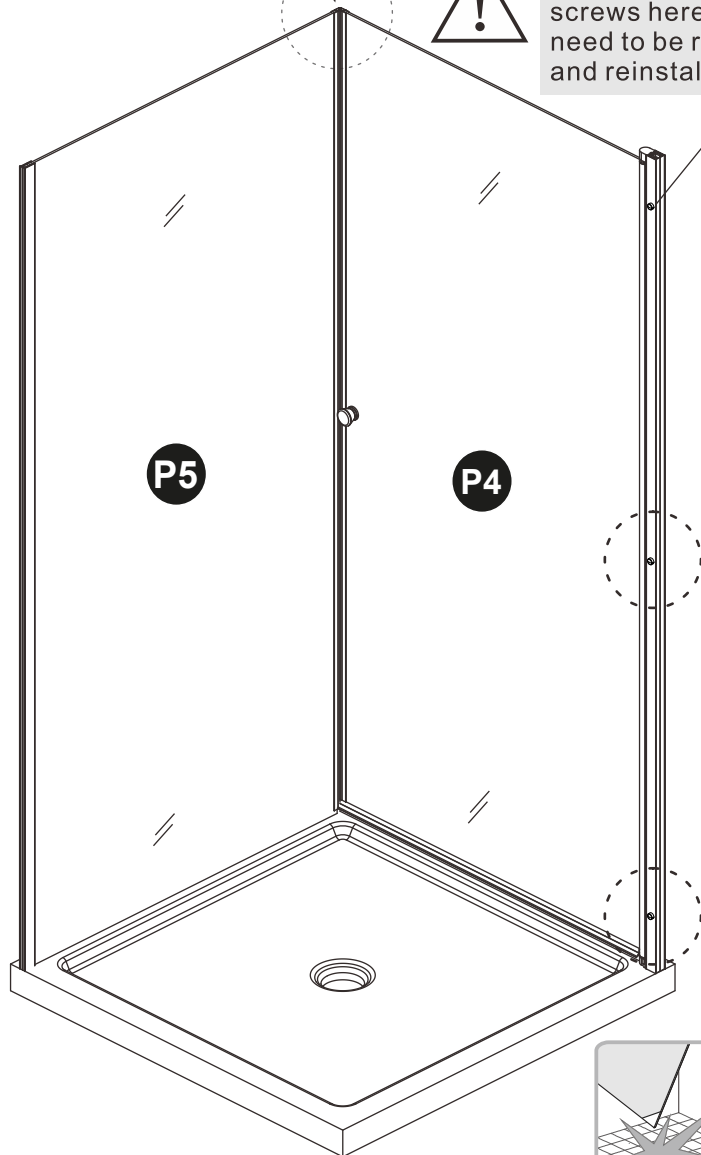
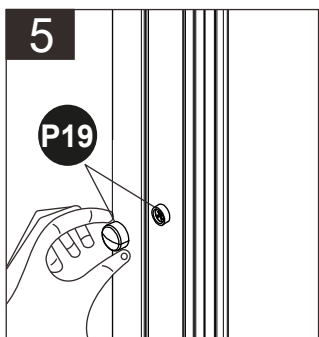
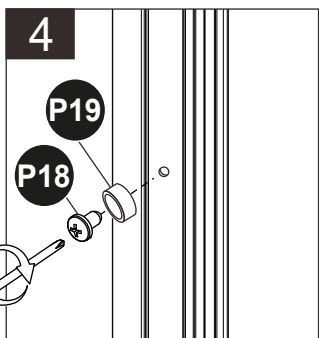
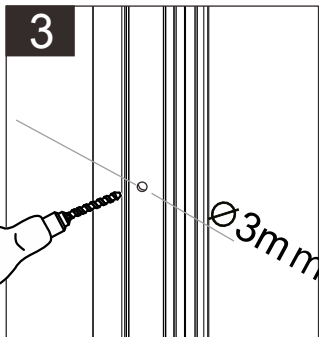
3mm

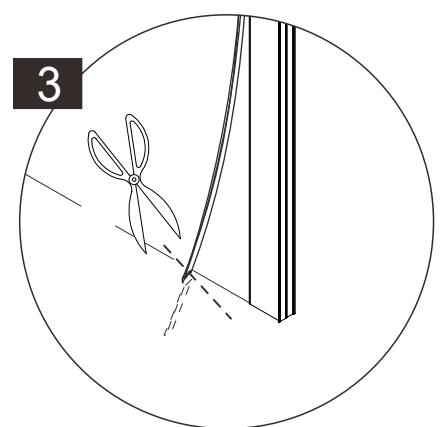
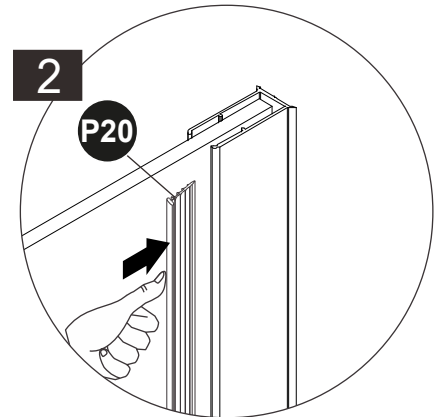
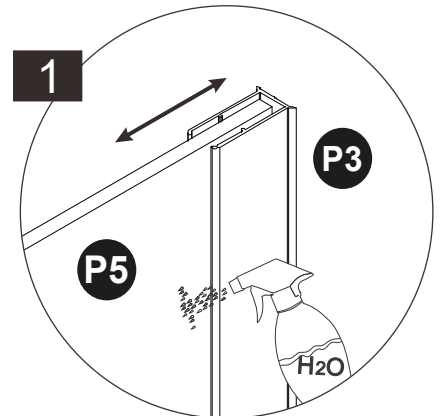
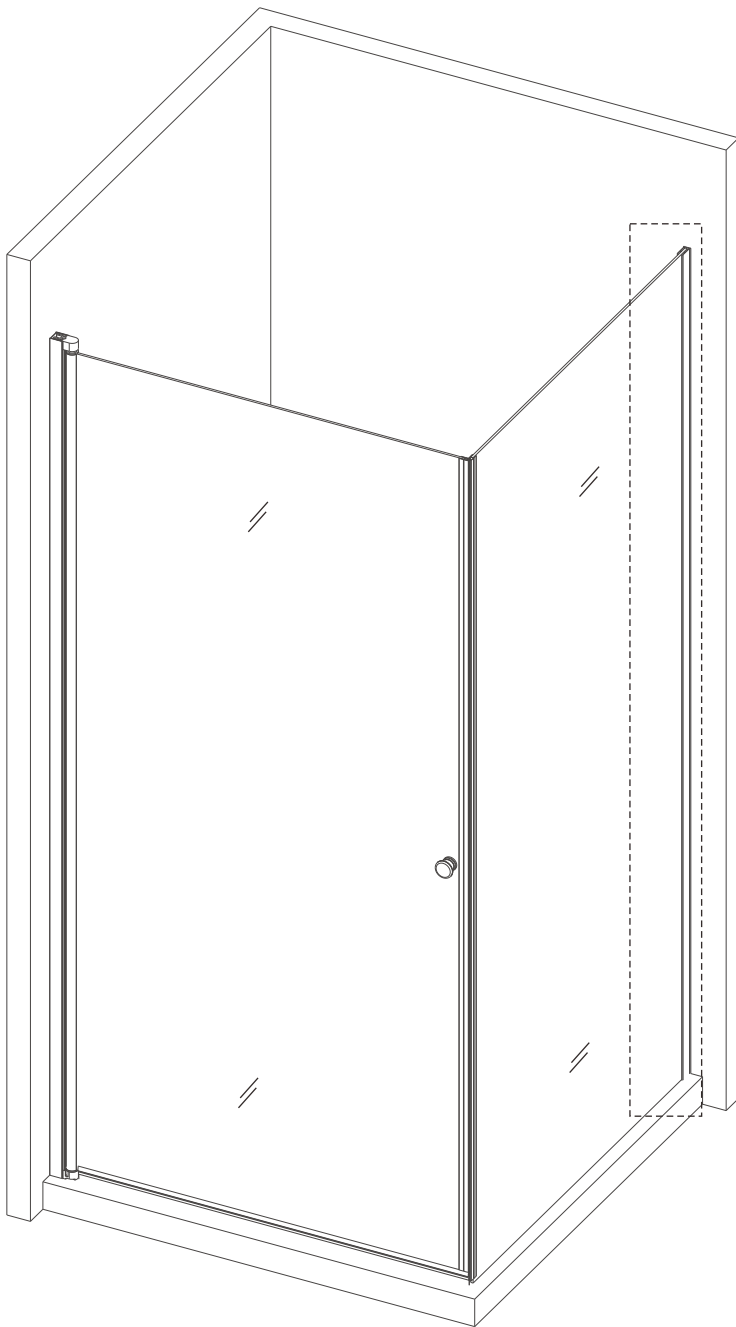
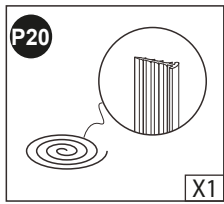
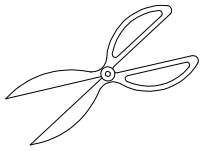


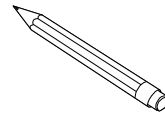
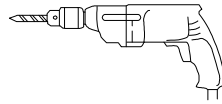
7



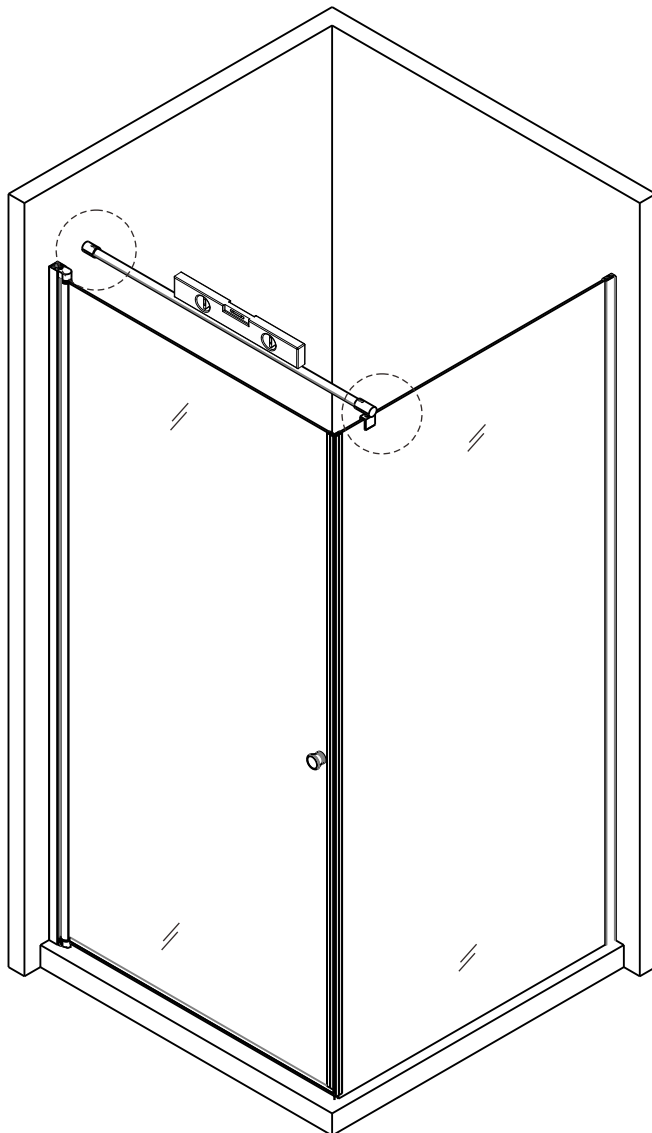
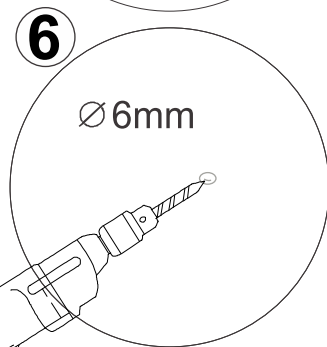
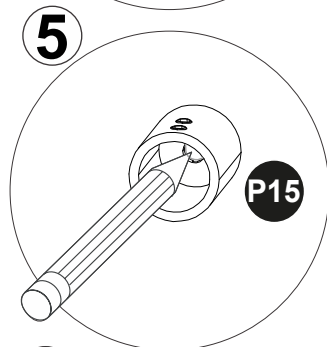
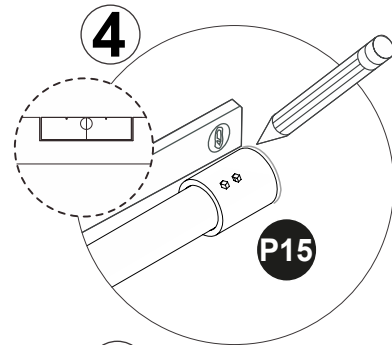
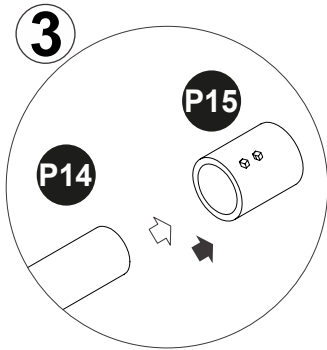
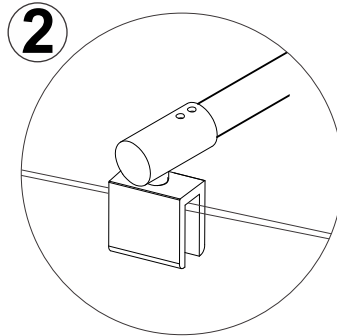
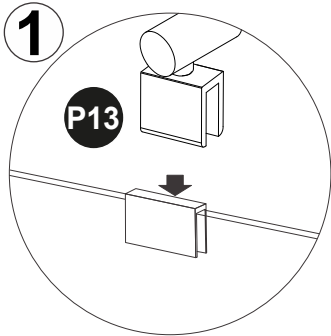
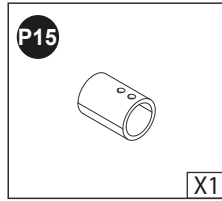
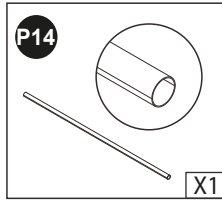
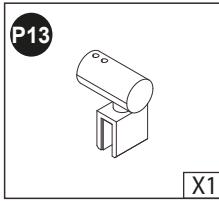
If there is a need for adjustment, the screws here may need to be removed and reinstalled

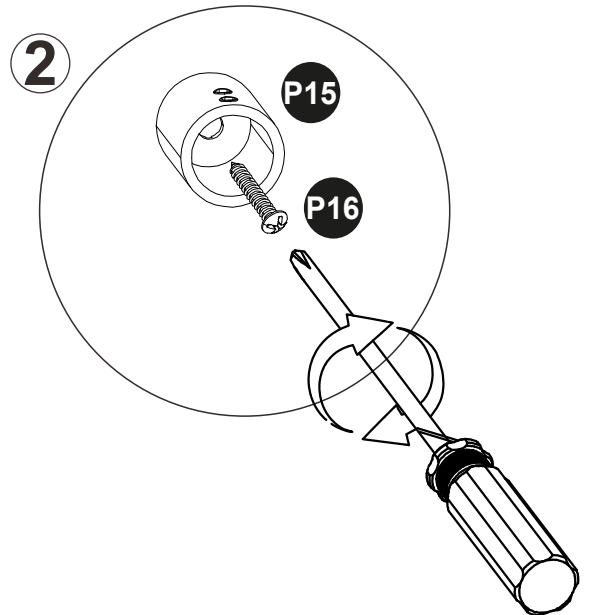
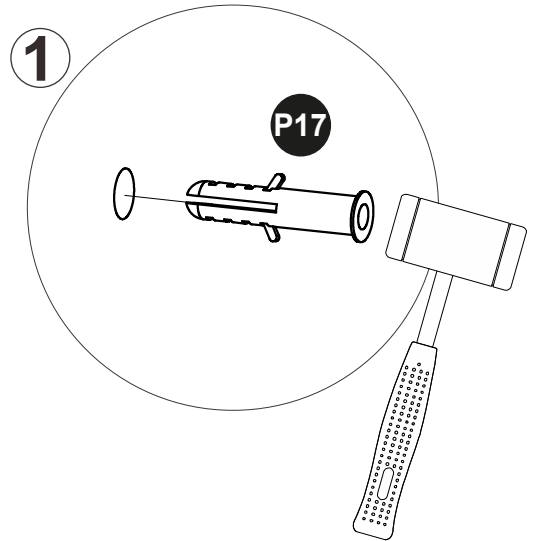
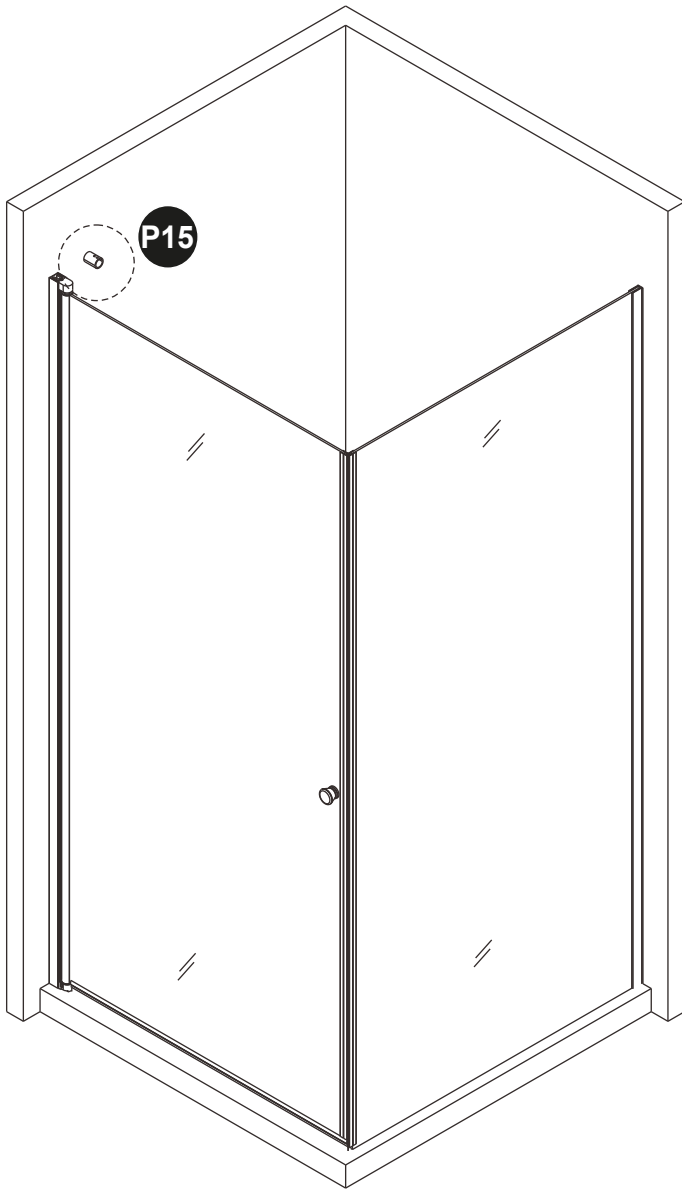
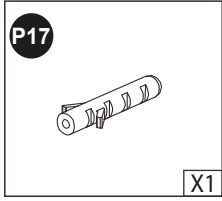
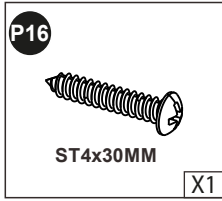
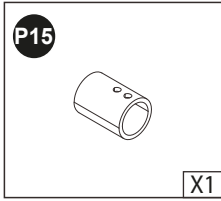


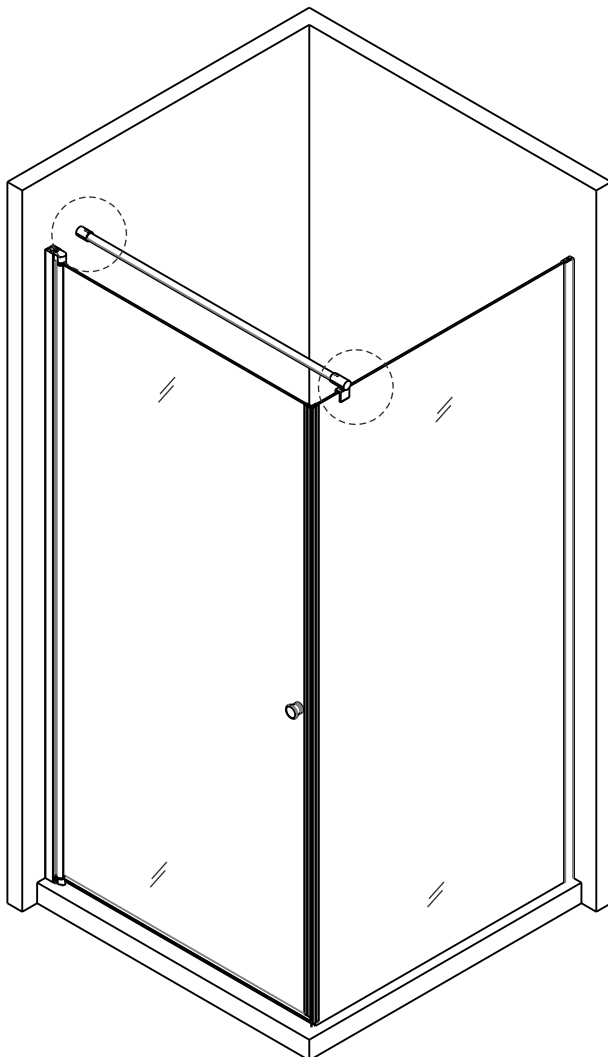
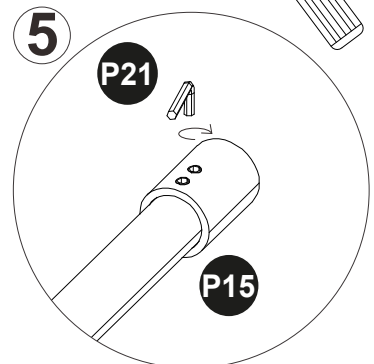
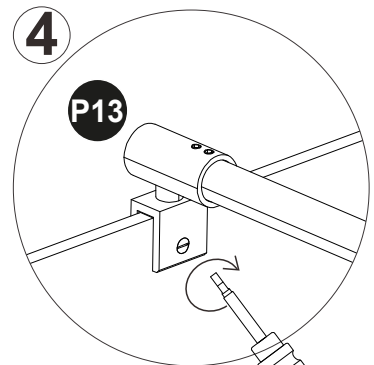
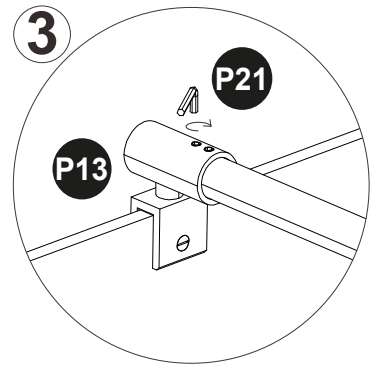
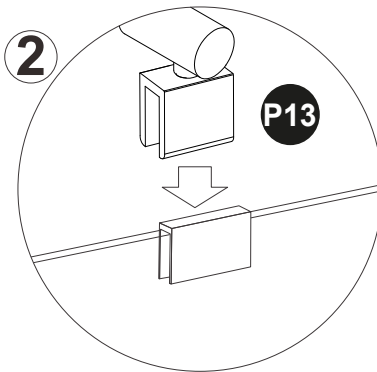
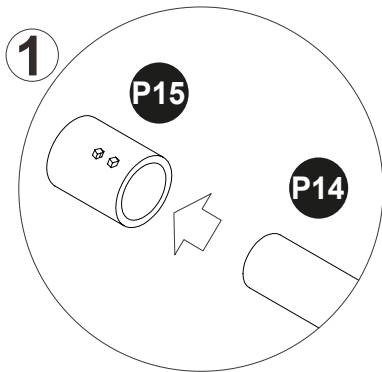
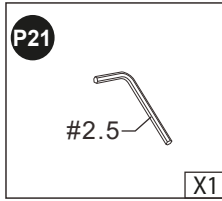
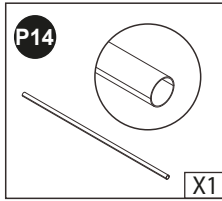
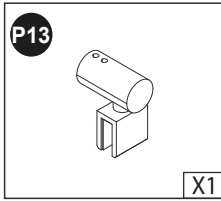
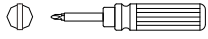


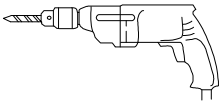


9

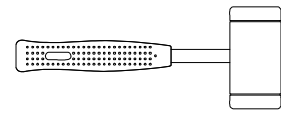
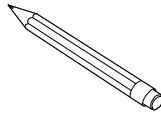




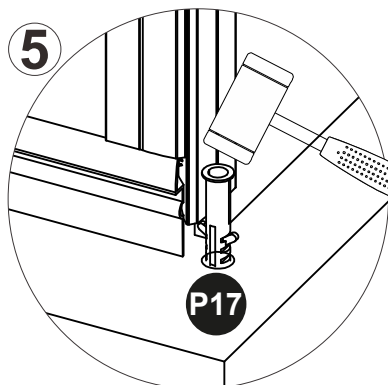
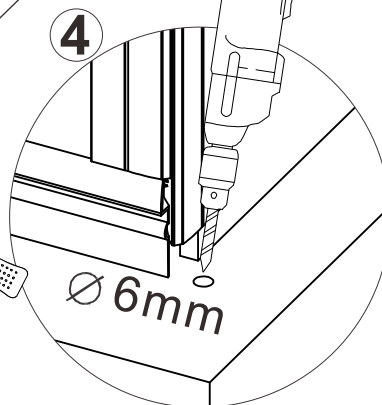
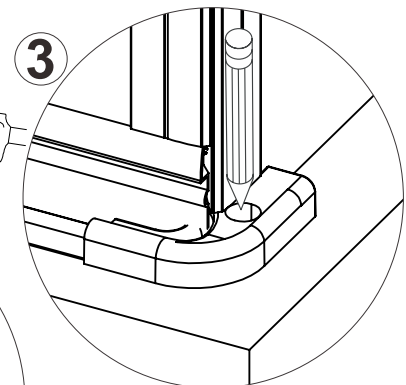
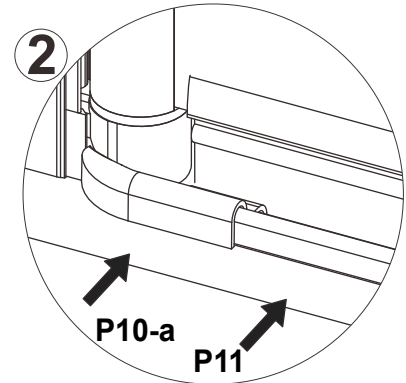
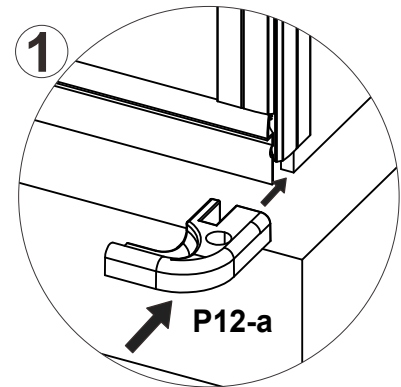
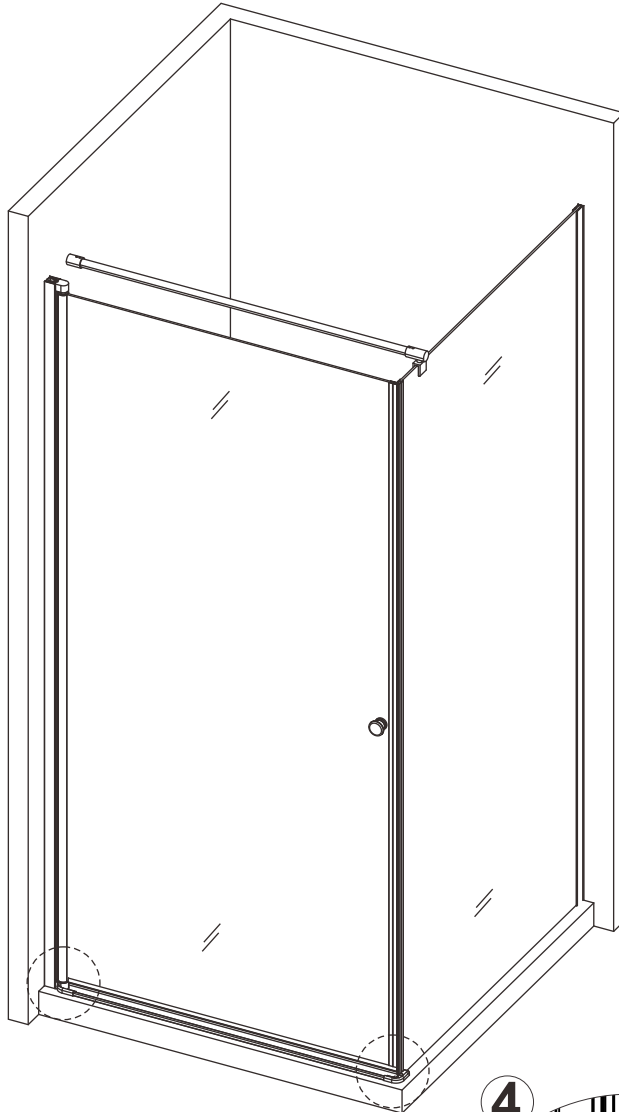
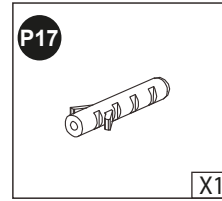
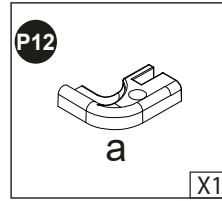
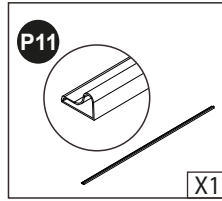
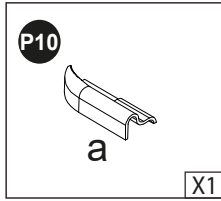


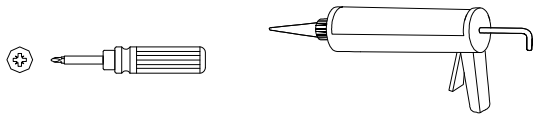


Ø 6mm

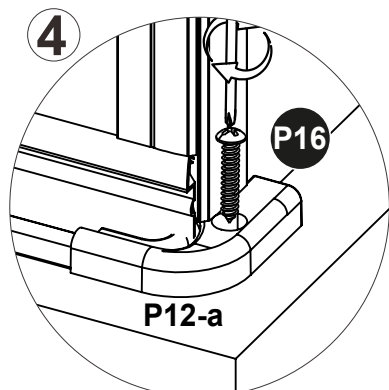
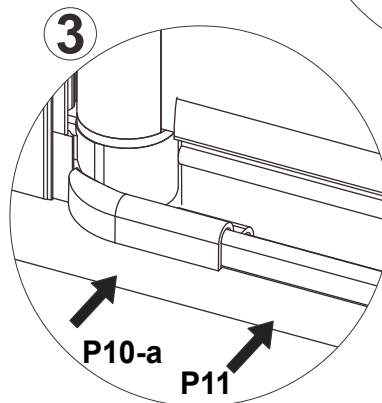
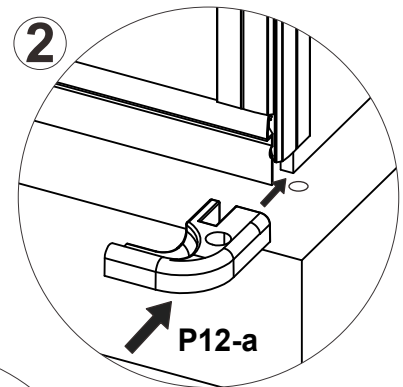
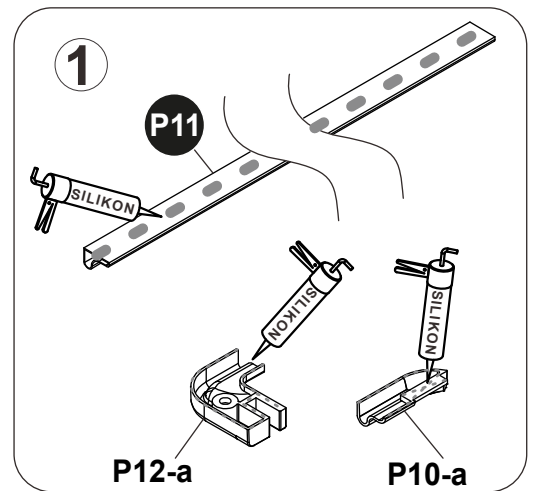
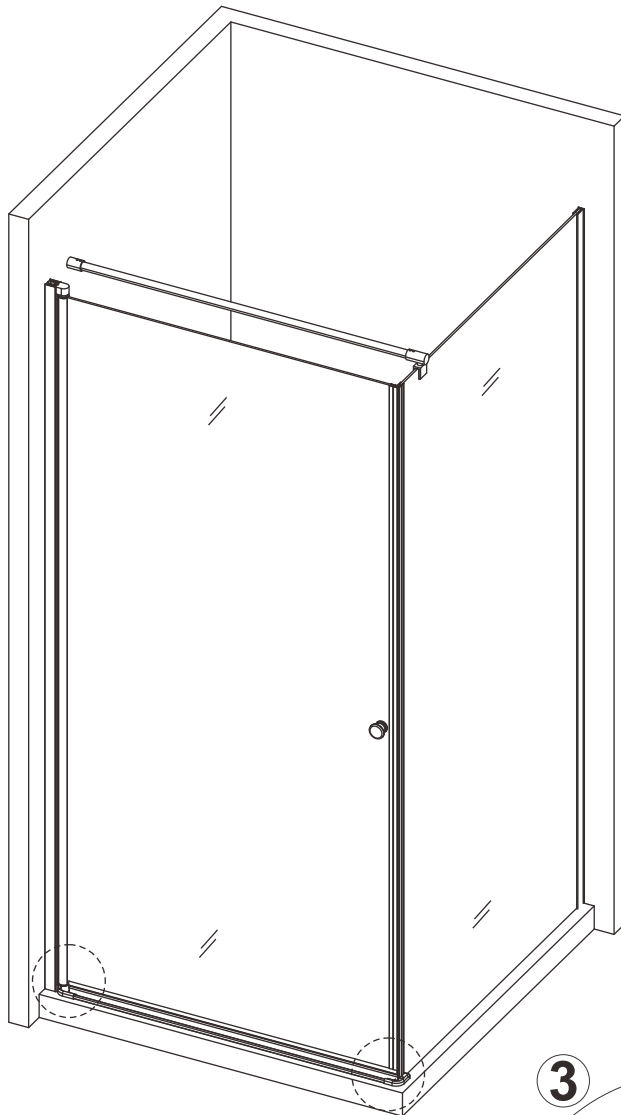
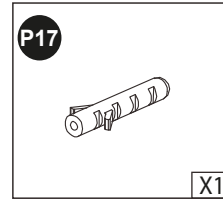
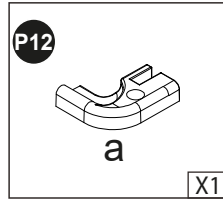
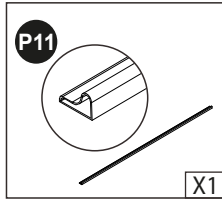
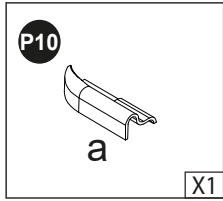


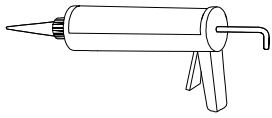
12



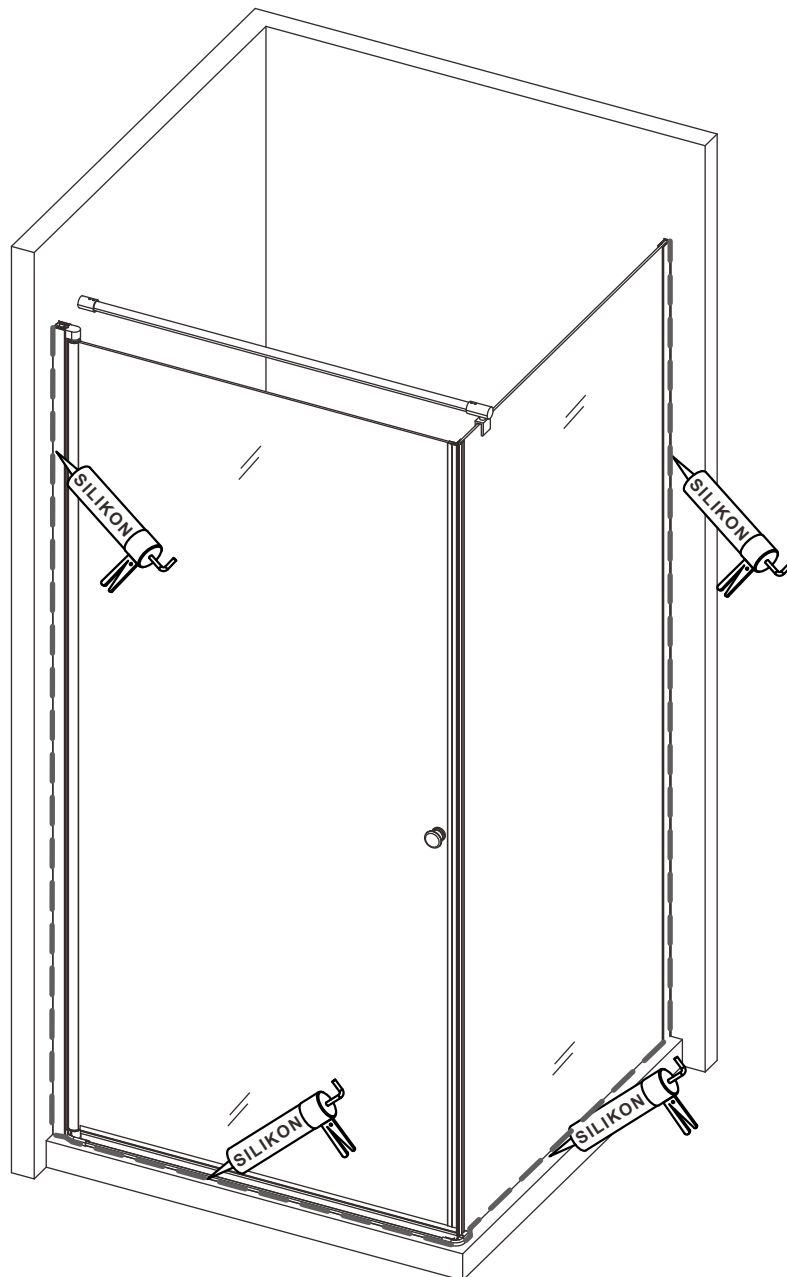
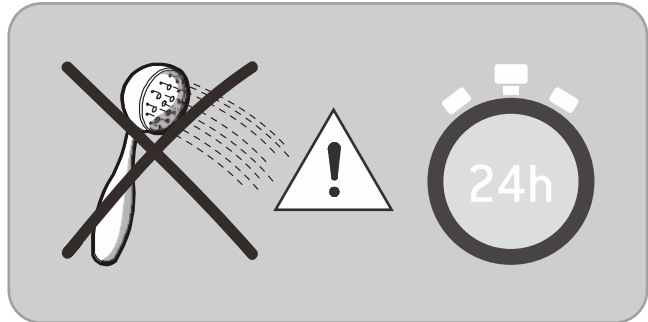


**13**

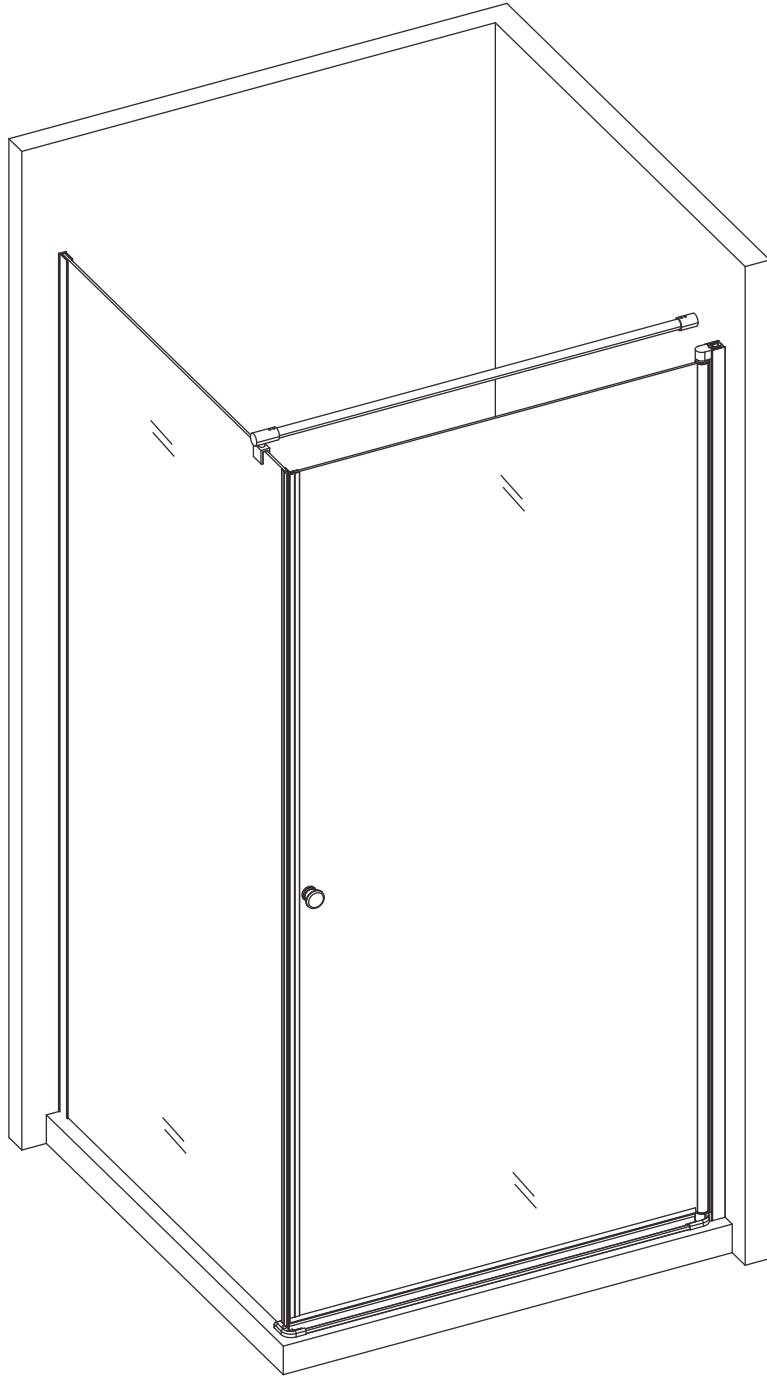


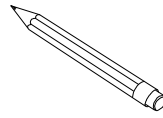


14

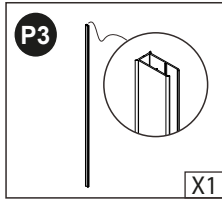
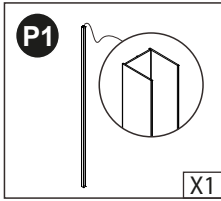


R

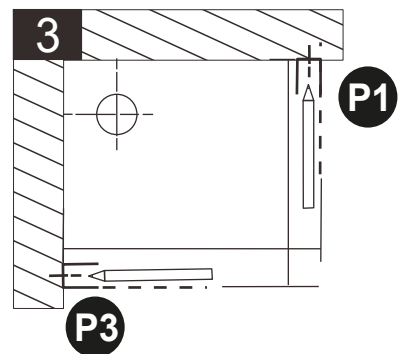
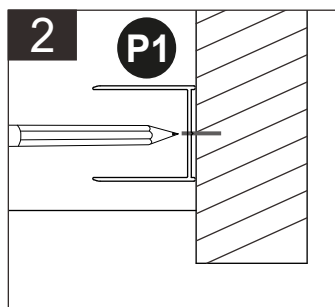
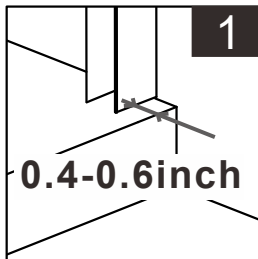
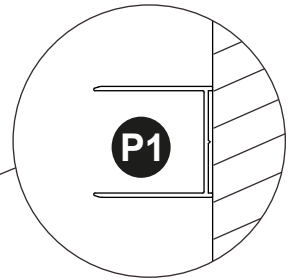
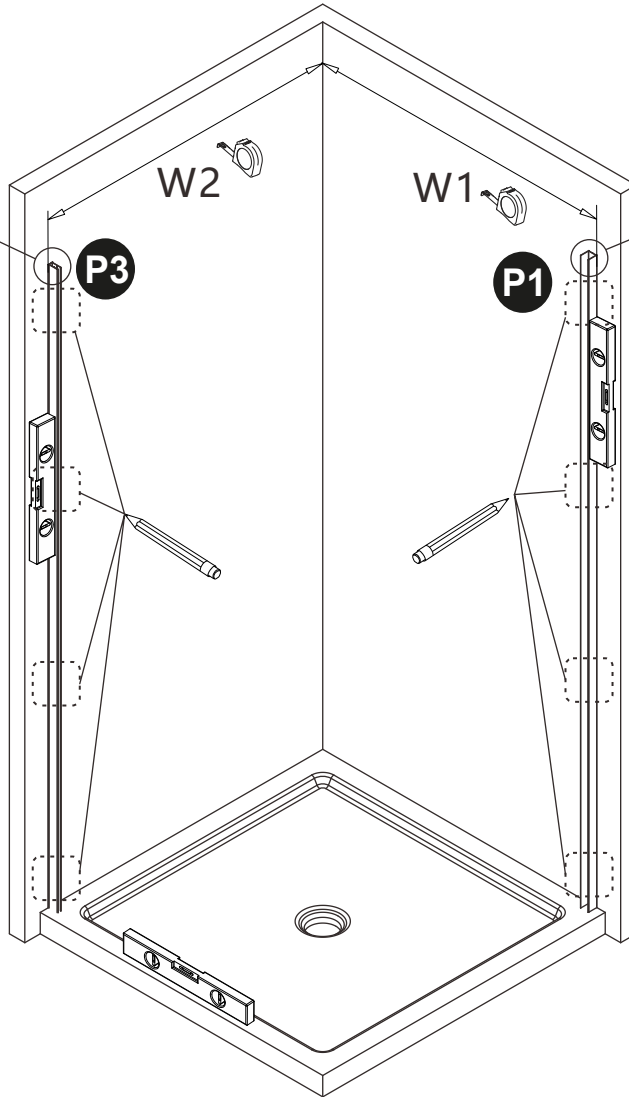
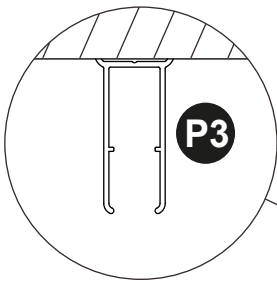


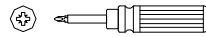
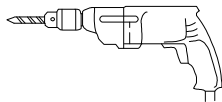
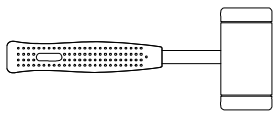


**1**



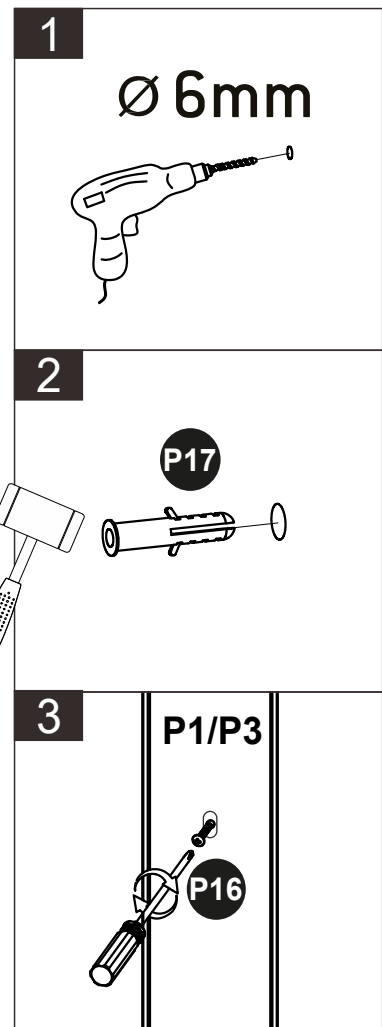
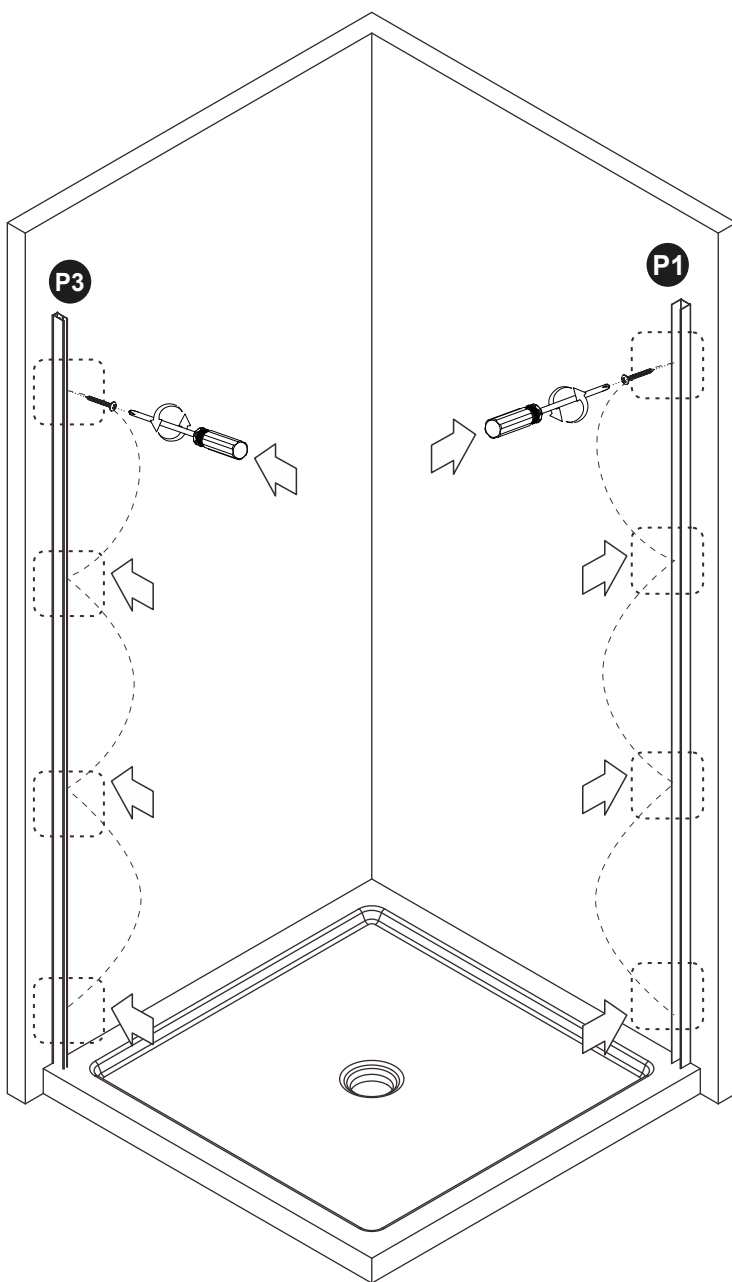
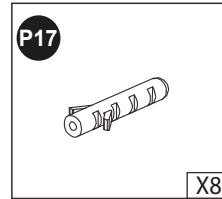
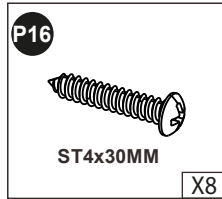
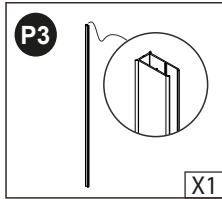
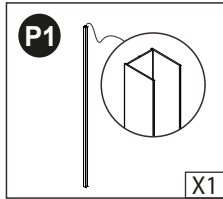
	W1(inch)	W2(inch)
36x36	35.4-36	35.4-36

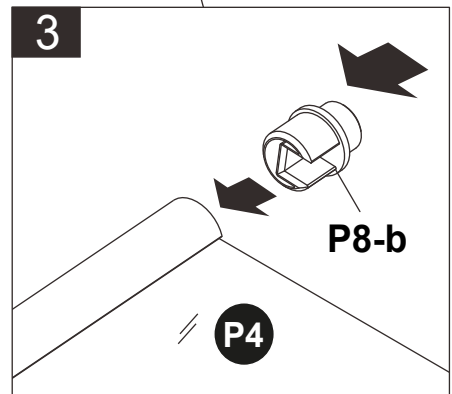
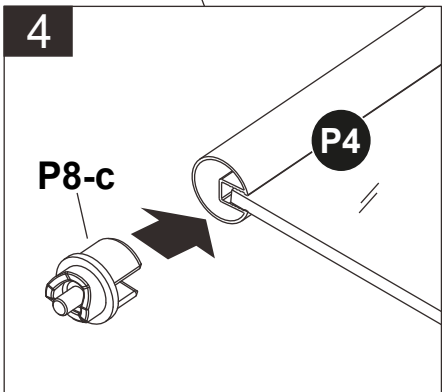
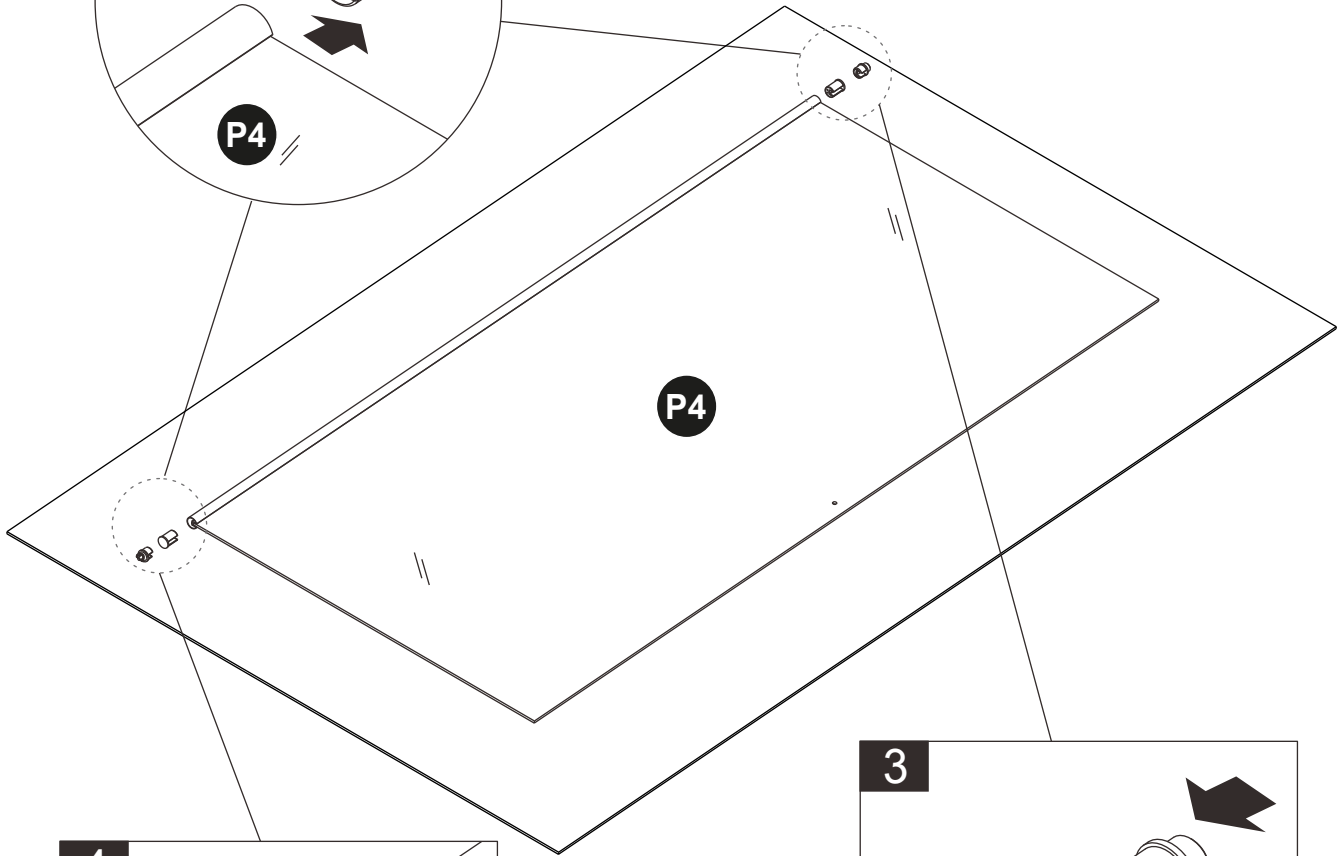
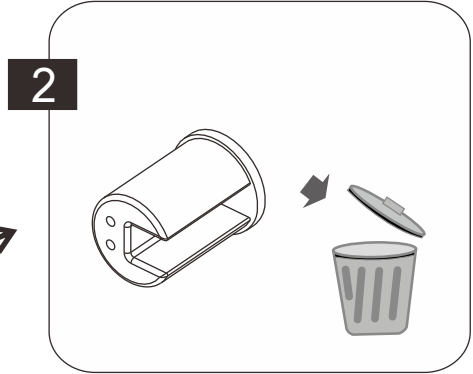
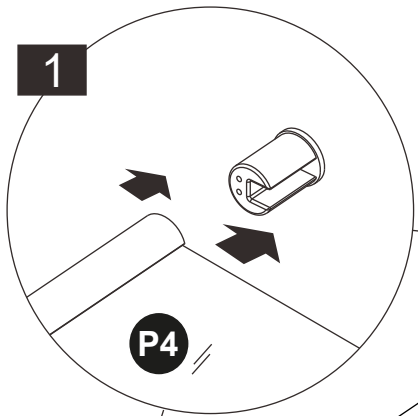
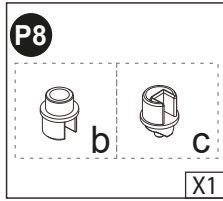
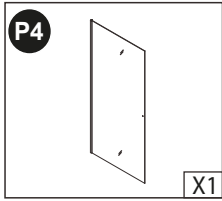


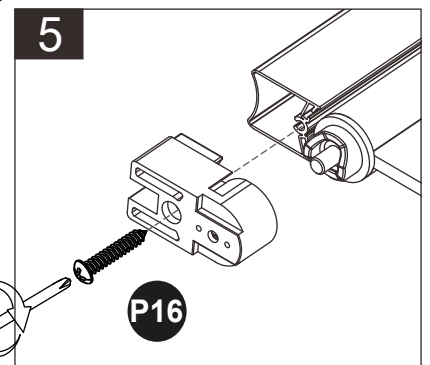
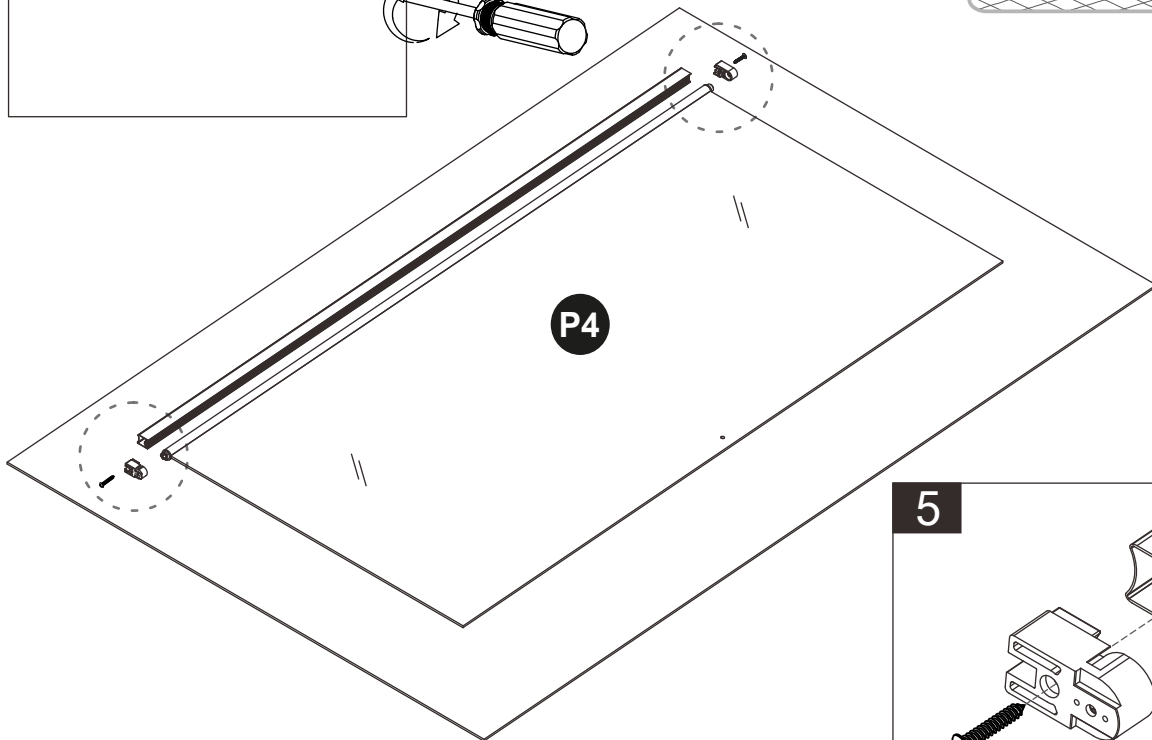
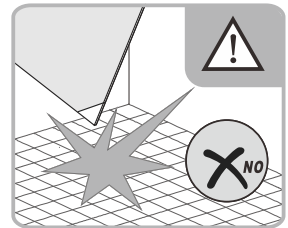
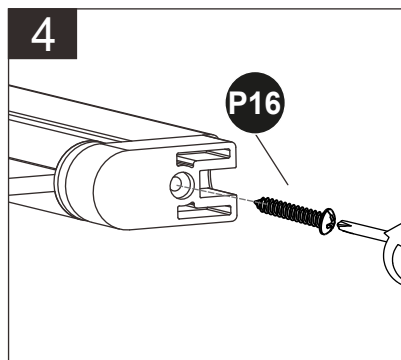
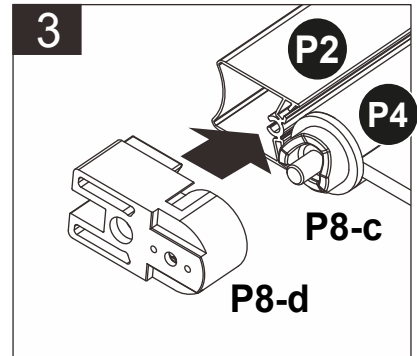
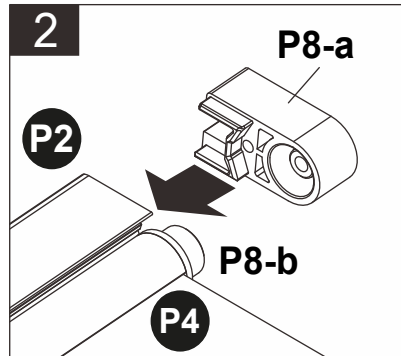
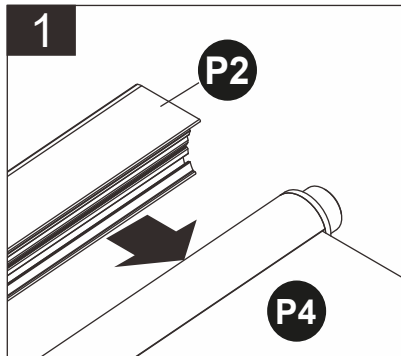
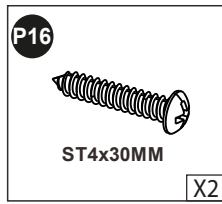
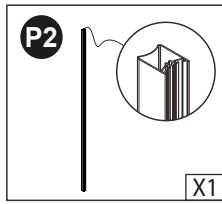
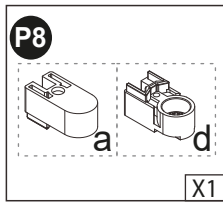
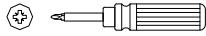


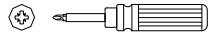
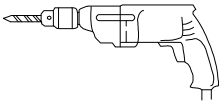
Ø 6mm

2



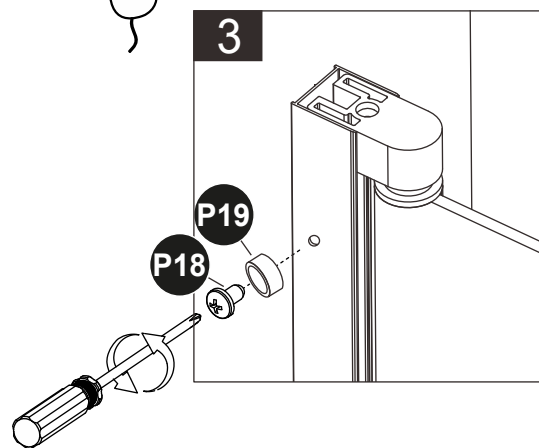
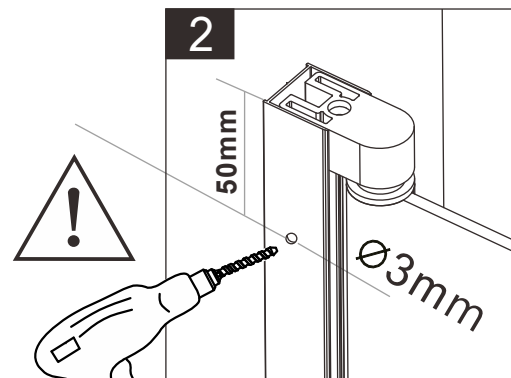
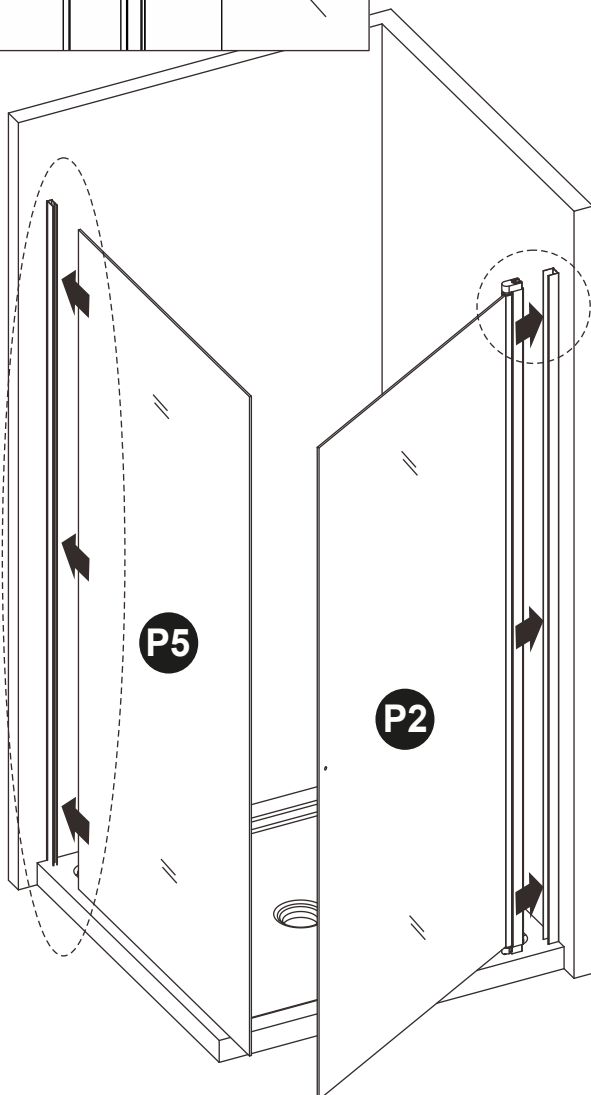
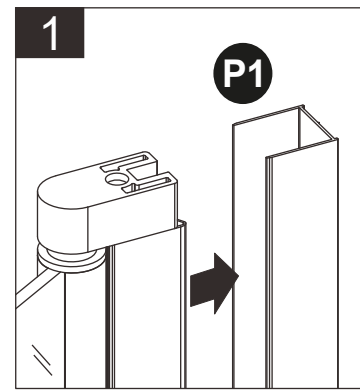
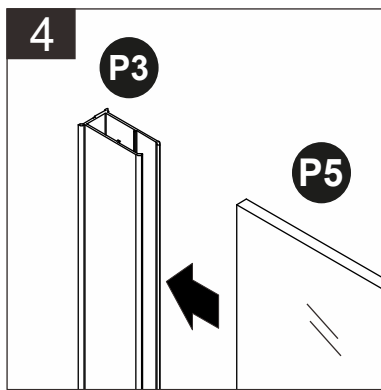
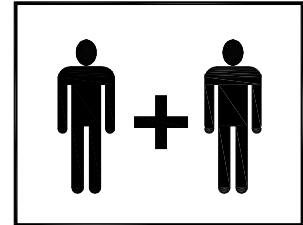
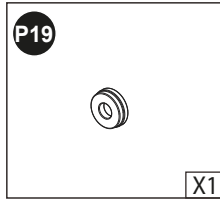
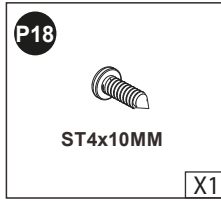
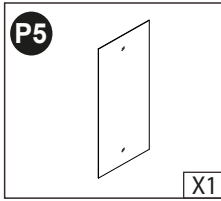


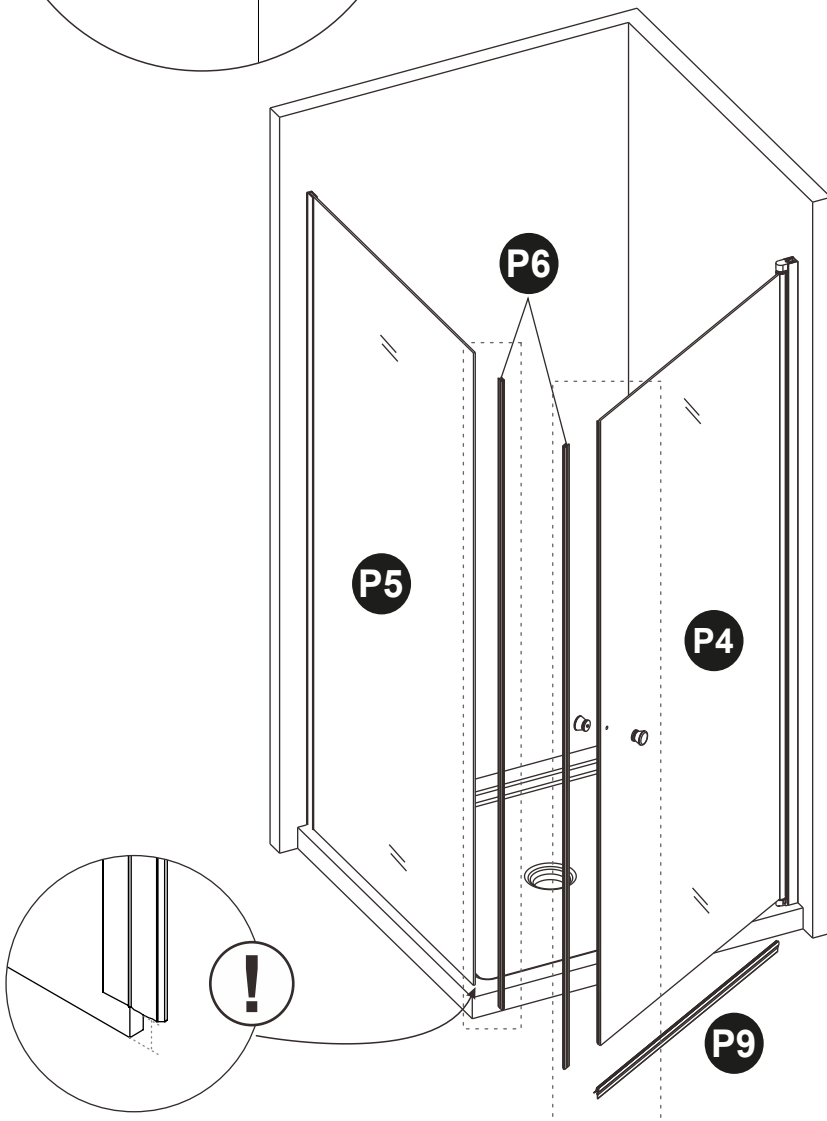
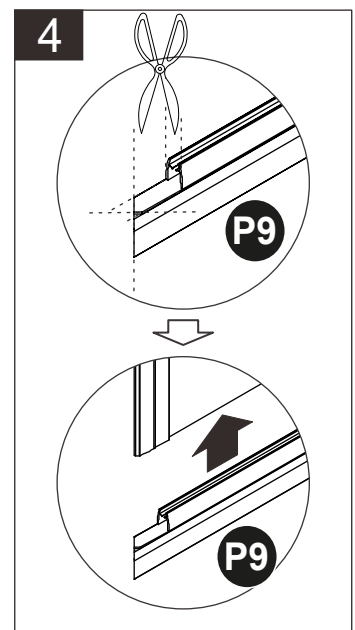
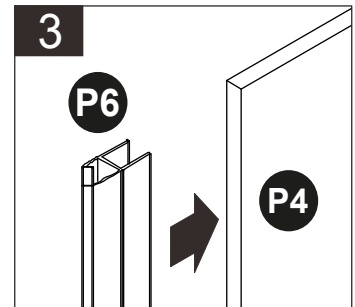
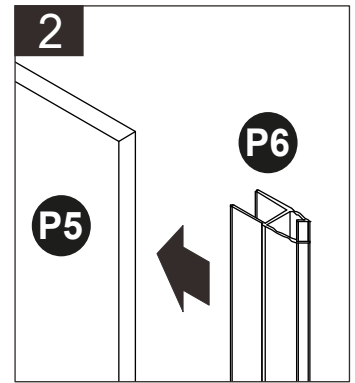
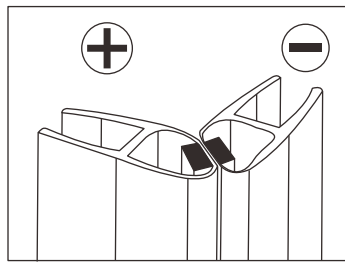
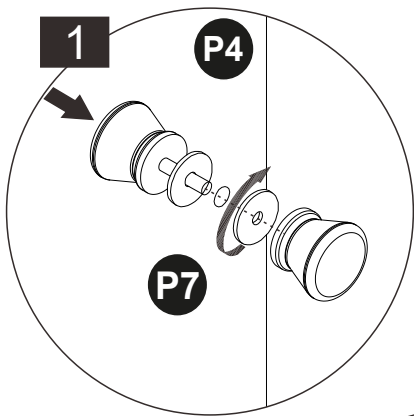
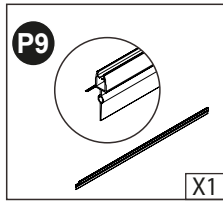
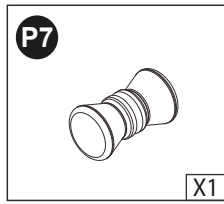
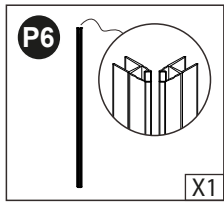
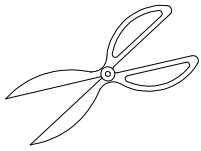


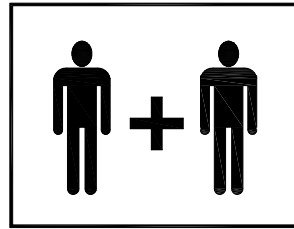
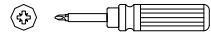
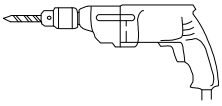


Ø 3mm

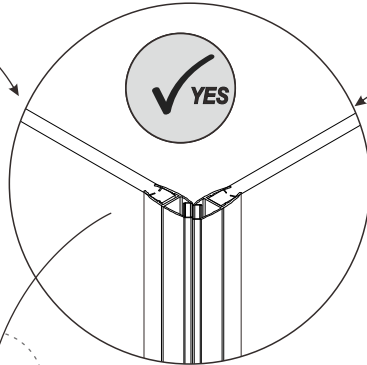
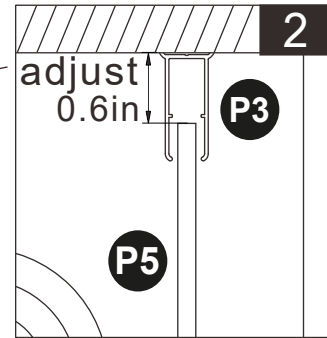
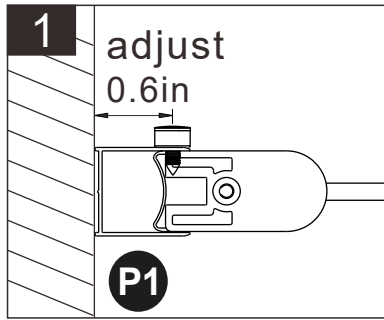
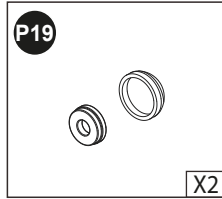
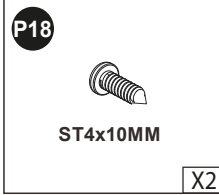
5



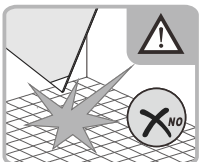
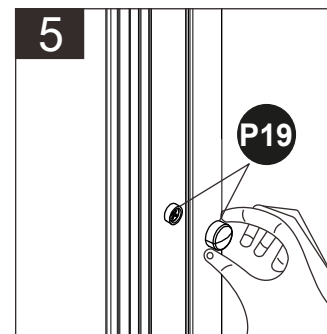
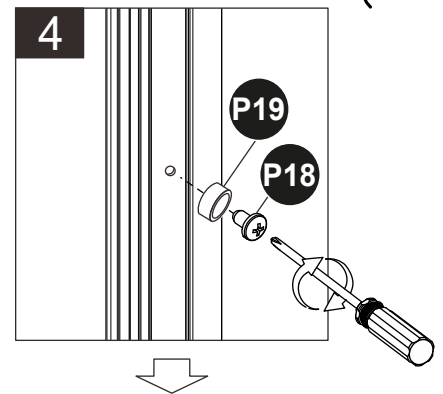
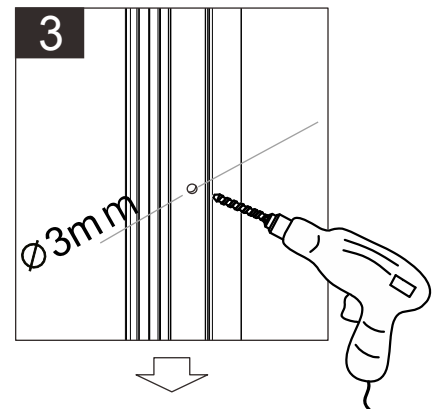
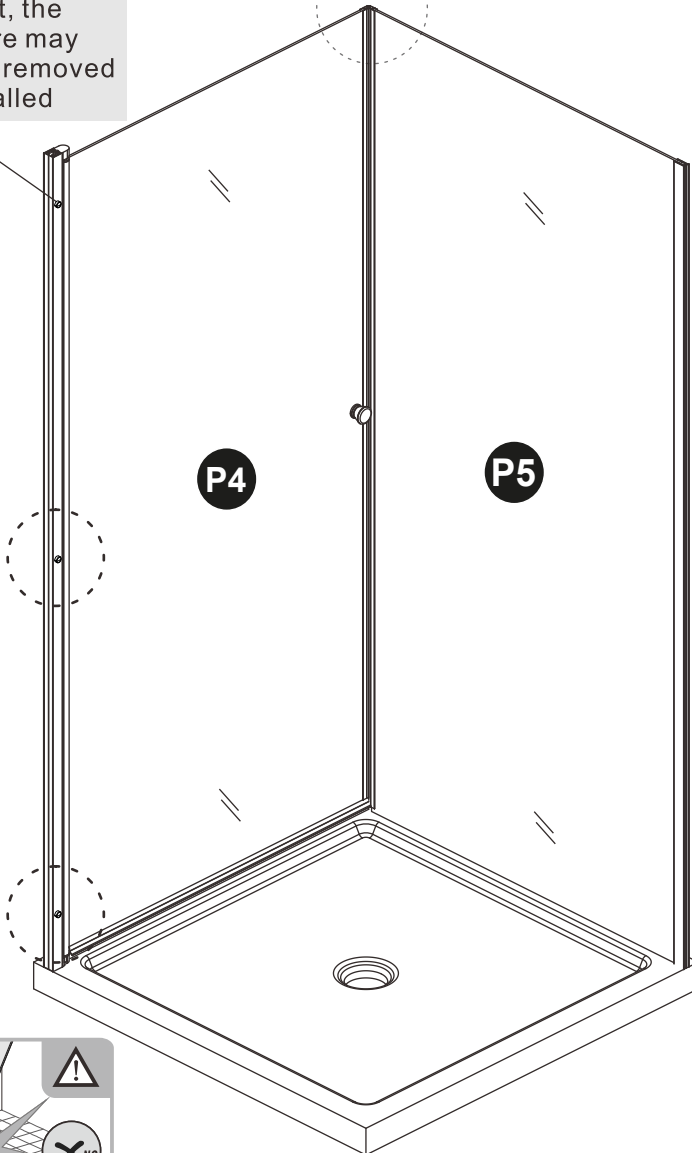


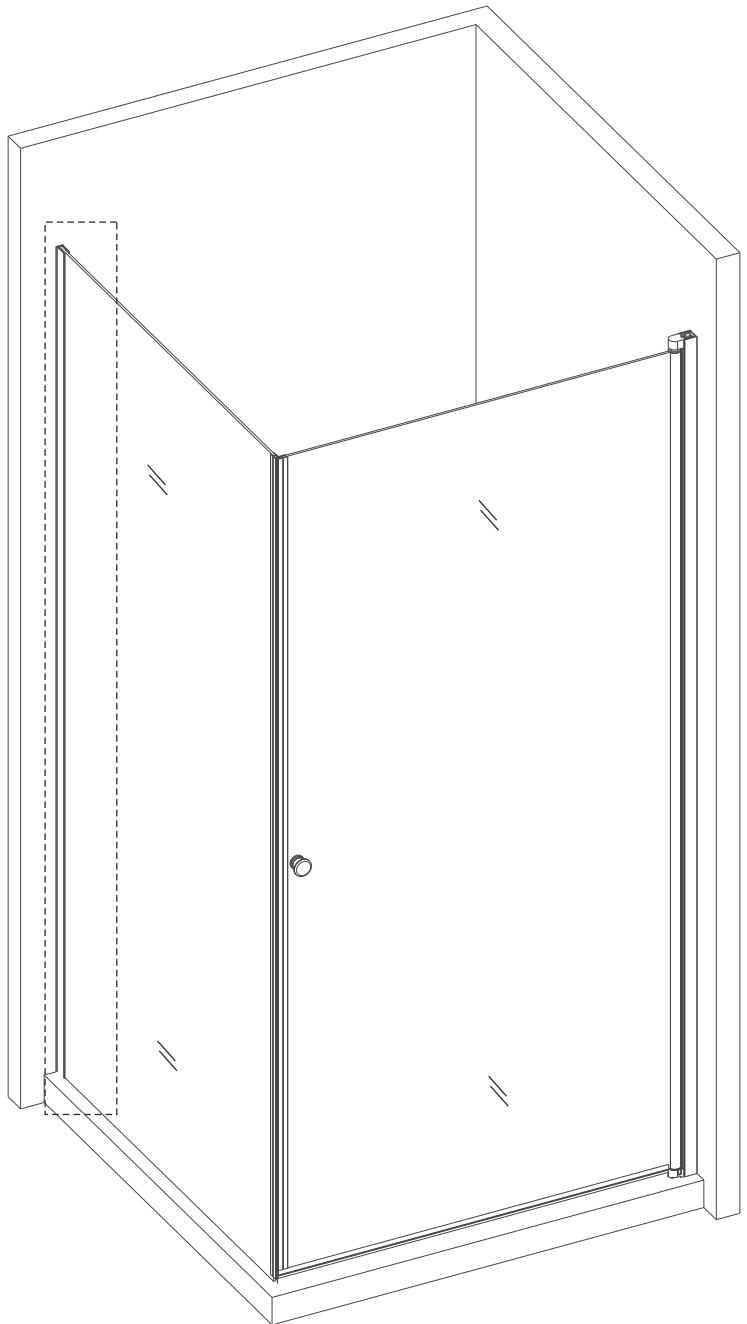
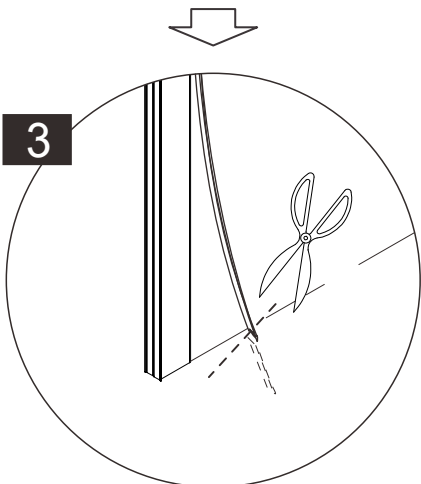
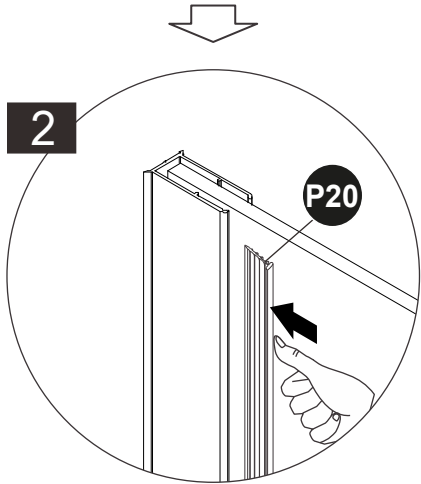
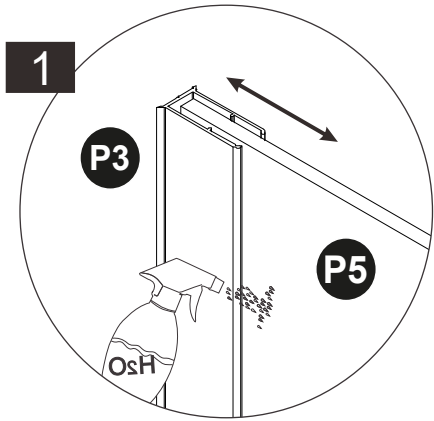
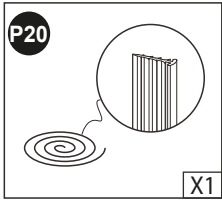
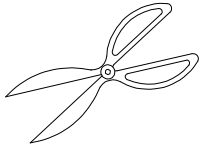


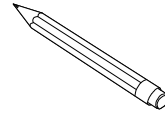
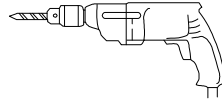
7



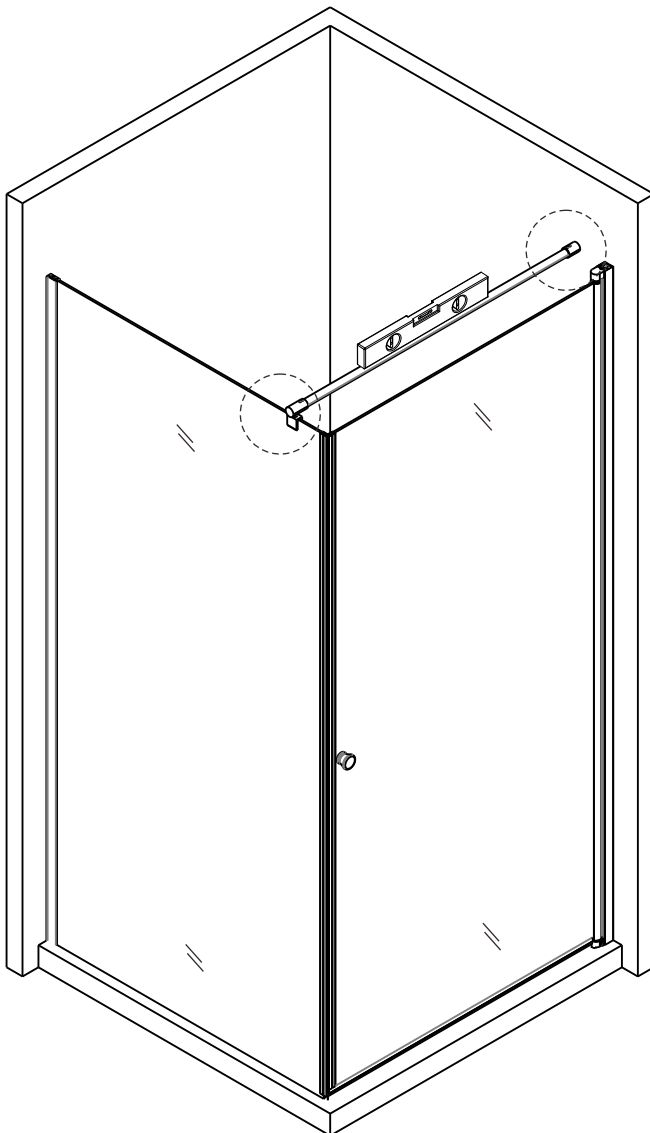
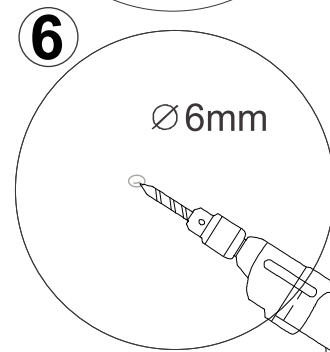
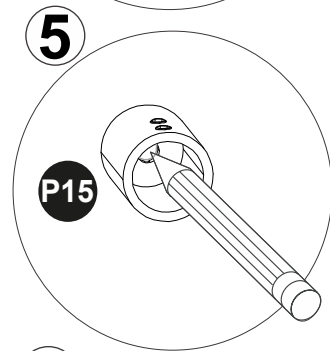
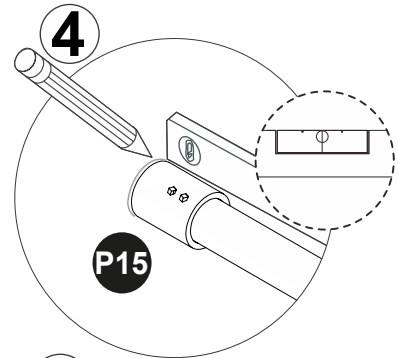
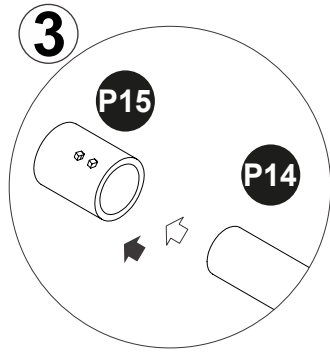
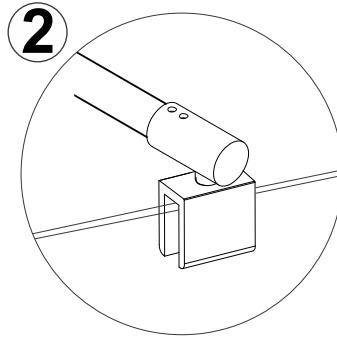
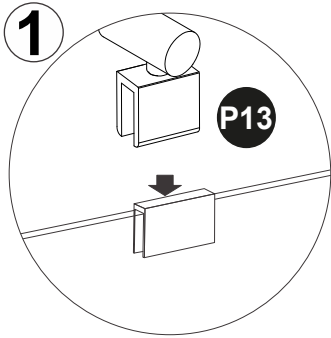
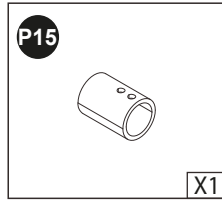
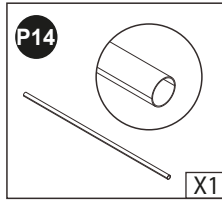
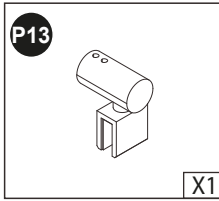
If there is a need for adjustment, the screws here may need to be removed and reinstalled

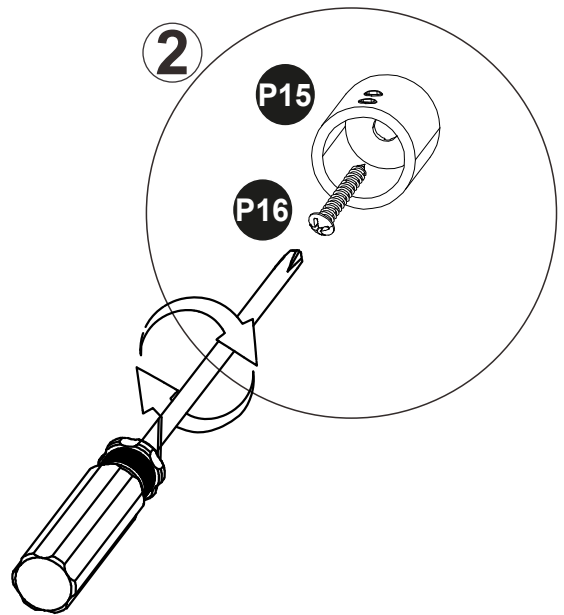
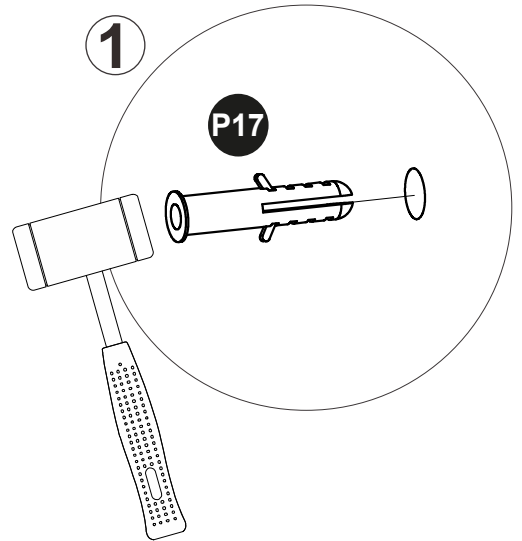
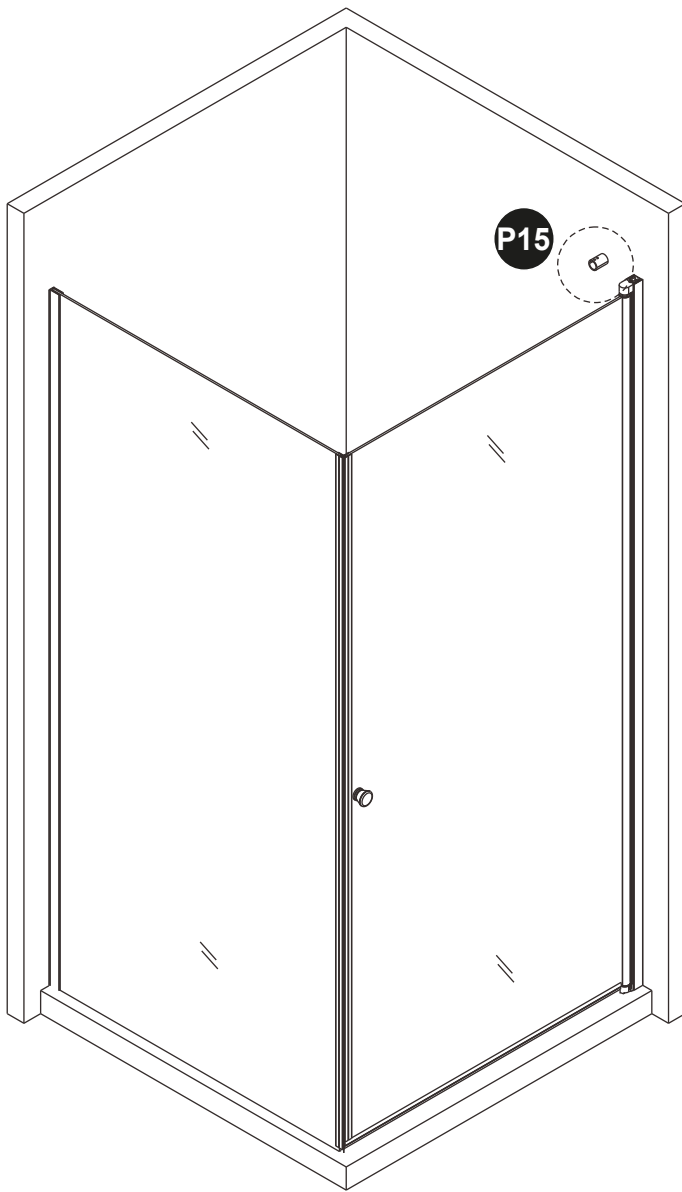
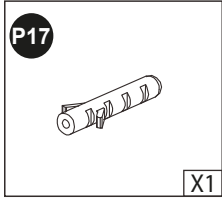
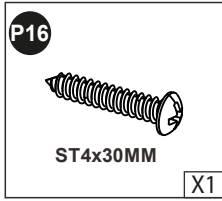
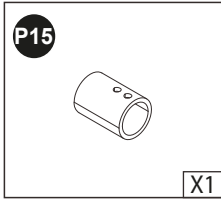
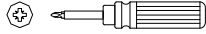


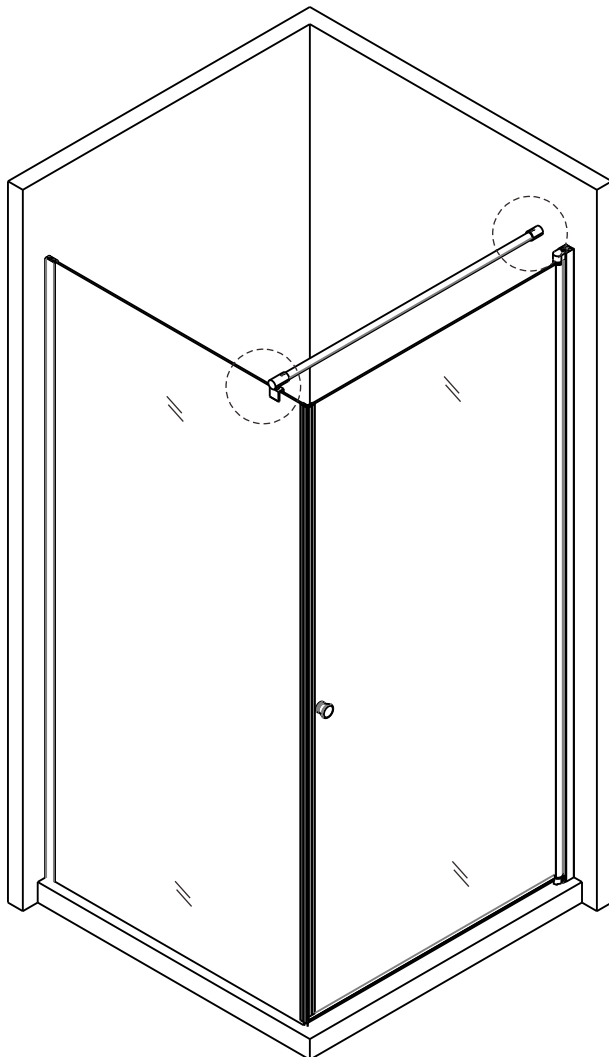
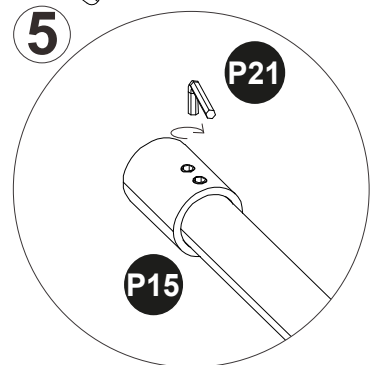
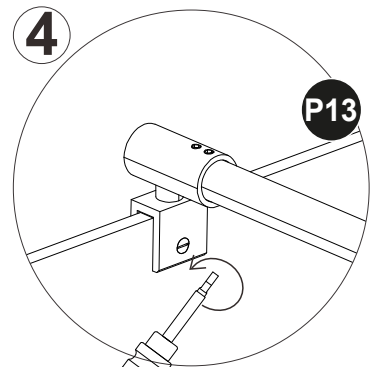
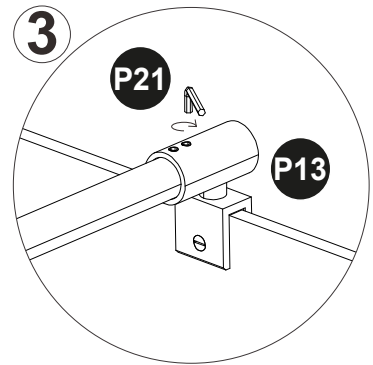
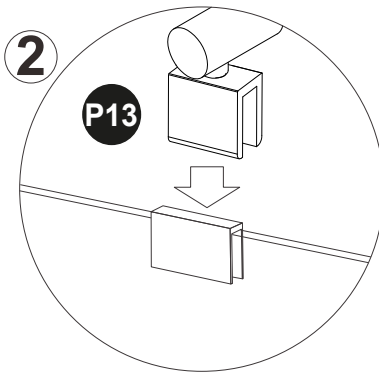
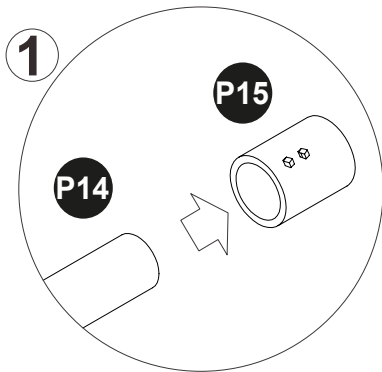
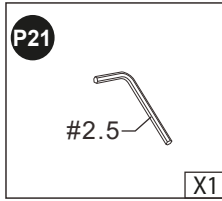
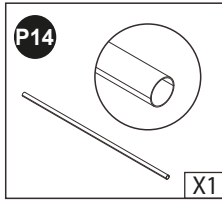
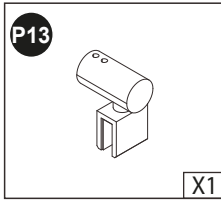
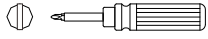


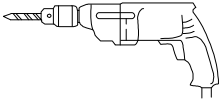


9

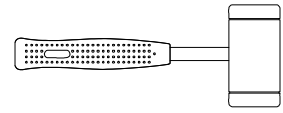
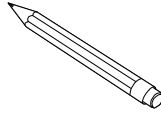




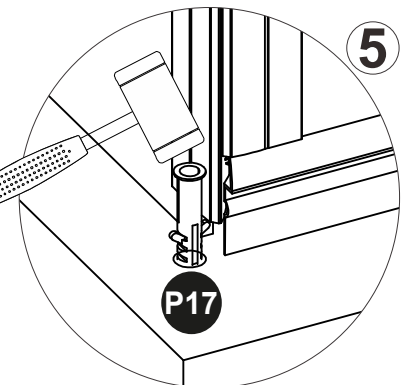
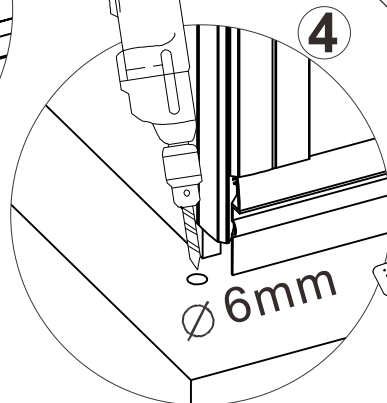
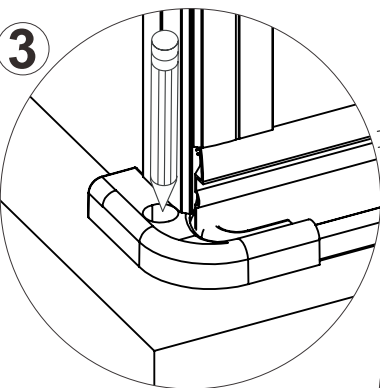
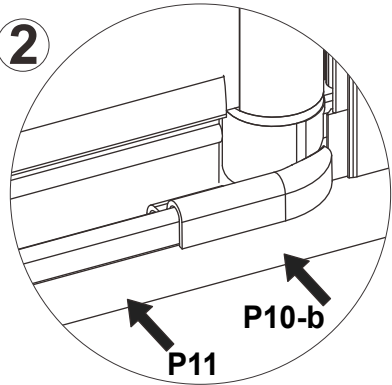
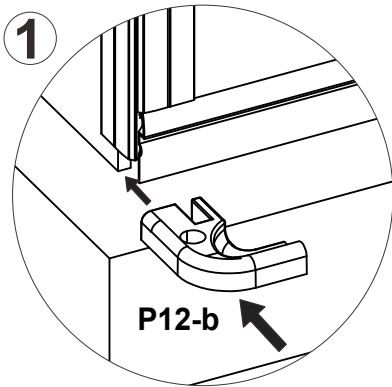
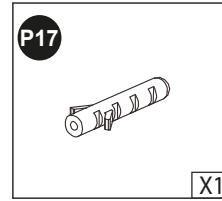
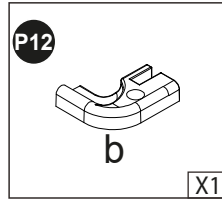
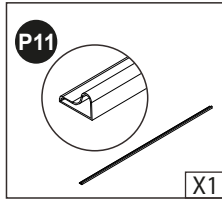
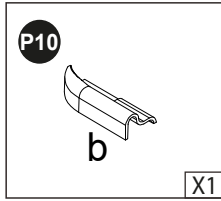


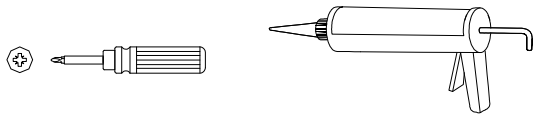


Ø 6mm

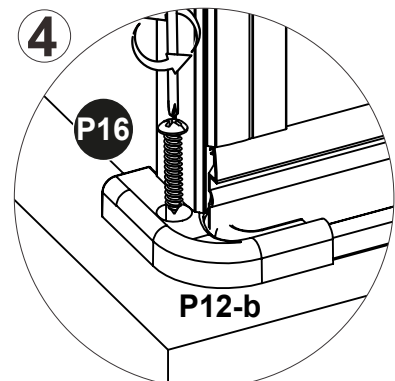
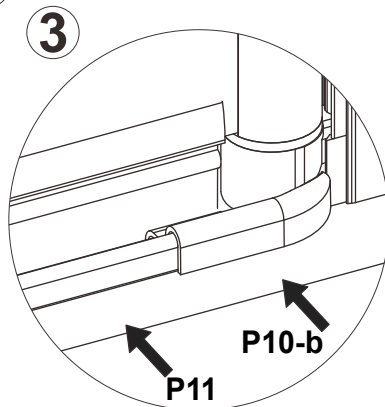
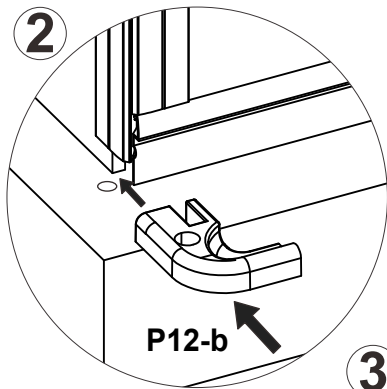
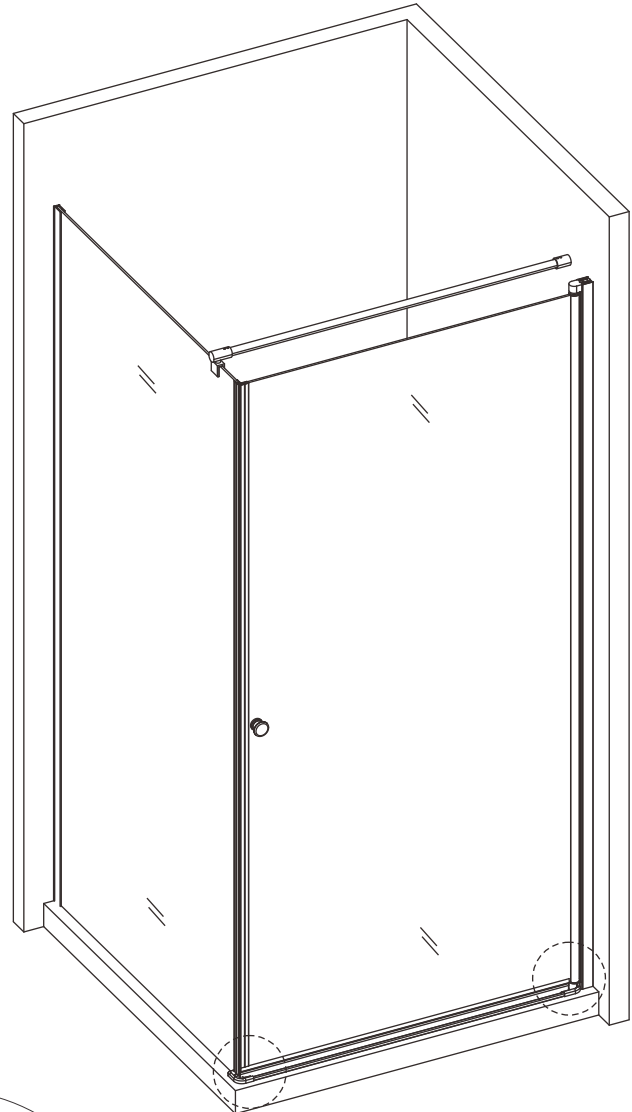
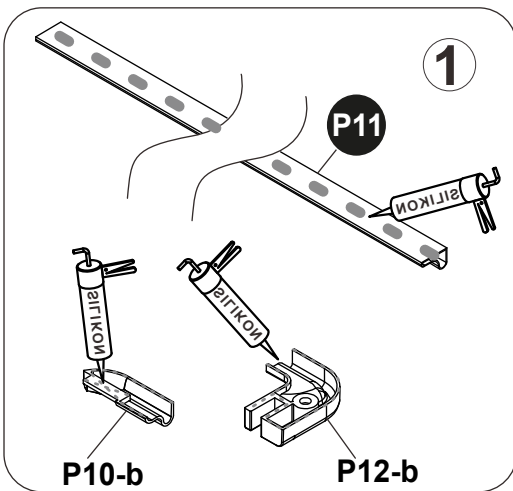
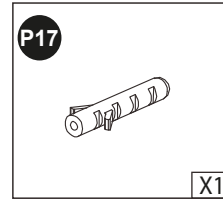
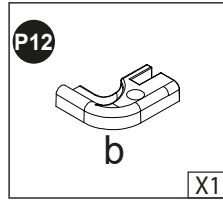
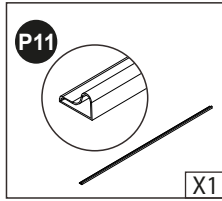
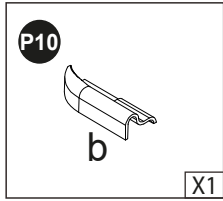


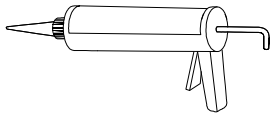
12





**13**





14

