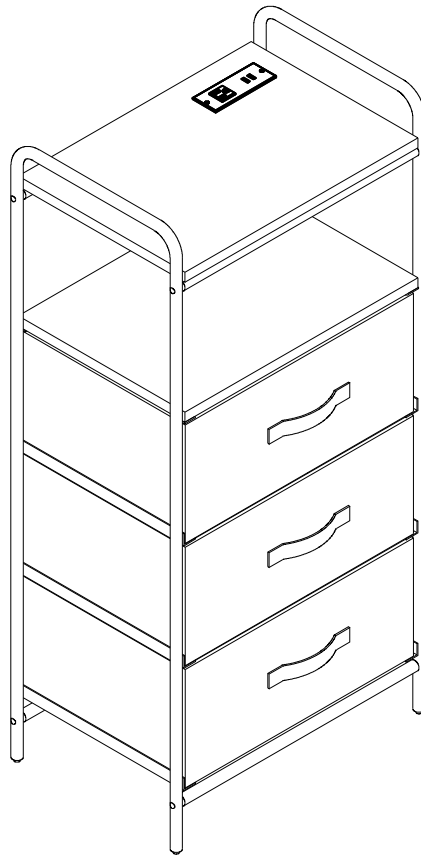


CABINET WITH FABRIC DRAWERS

Assembly Instructions



ADULTS ASSEMBLY REQUIRED

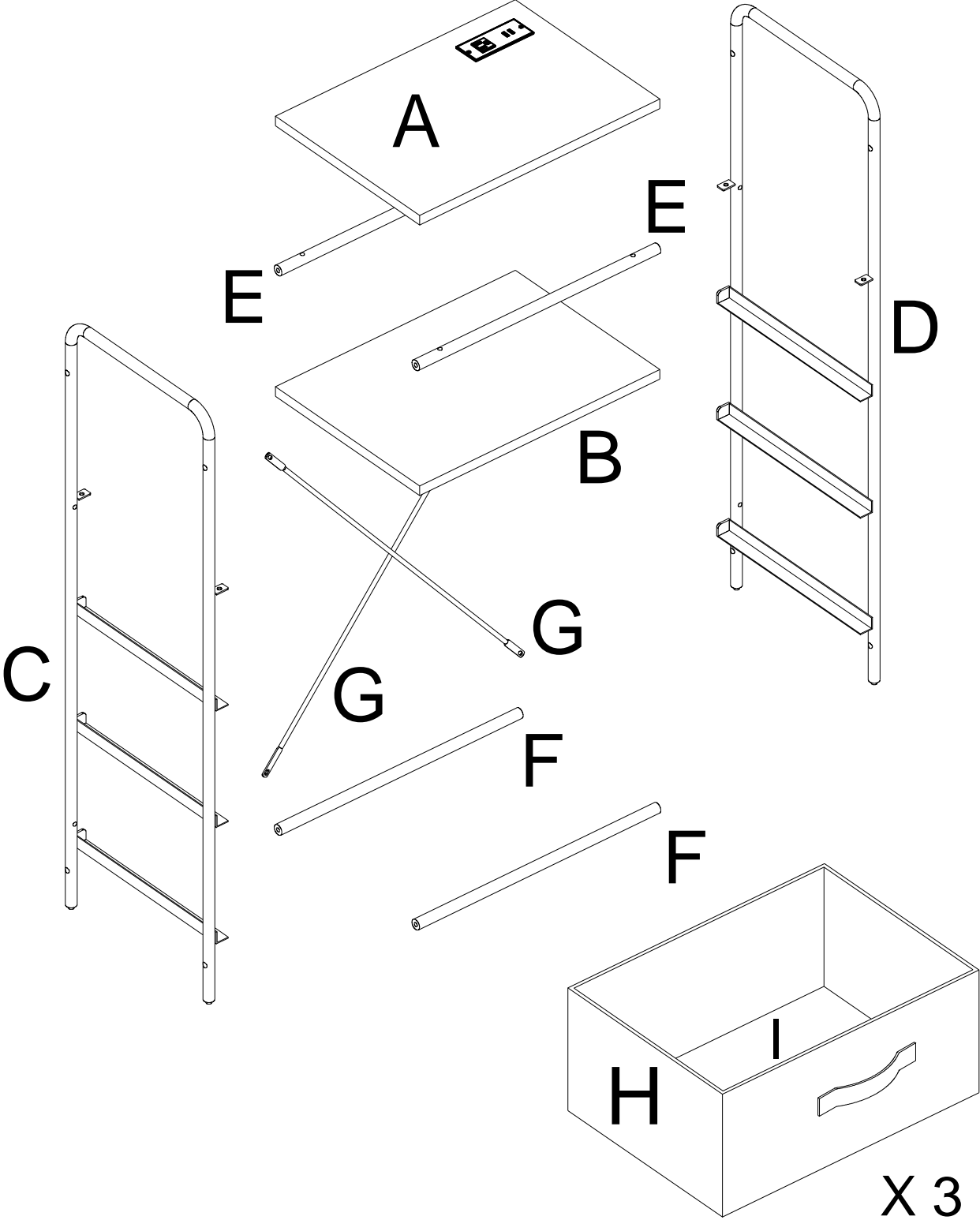
THIS INSTRUCTION BOOKLET CONTAINS **IMPORTANT** SAFETY INFORMATION.
PLEASE READ AND KEEP FOR FUTURE REFERENCE.

Date 2022-08-19

Rev. 0002-A

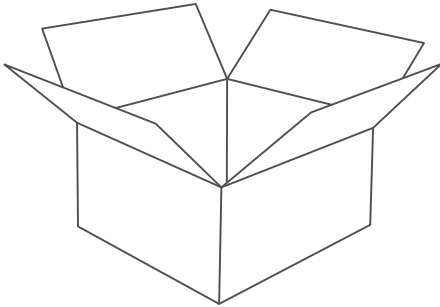
Parts Identification

Not actual size

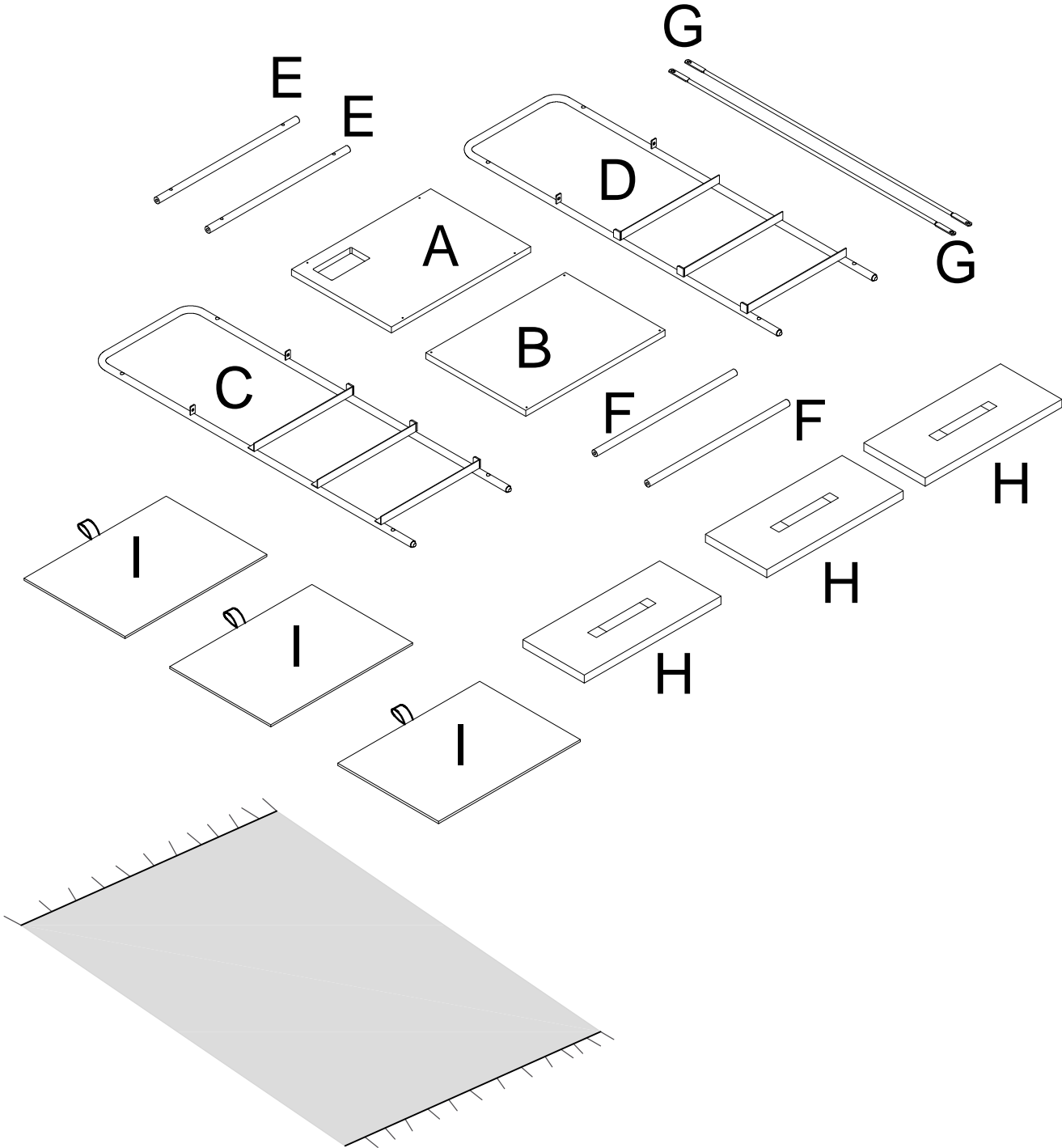


Parts Identification

Not actual size

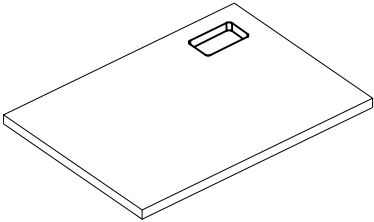


The image may differ depending on model

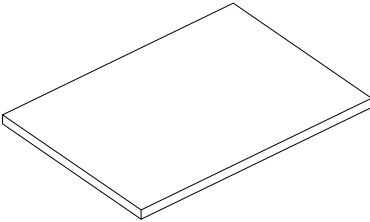


Parts Identification

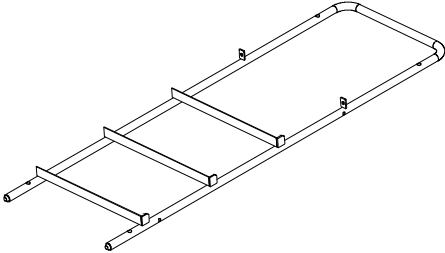
Not actual size



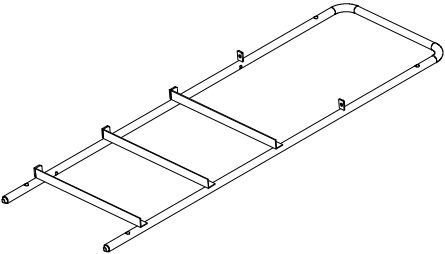
A - Top Panel
(Qty. 1)



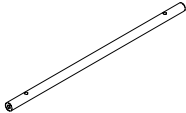
B - Shelf panel
(Qty. 1)



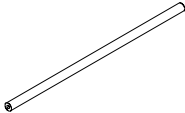
C - Left Side Frame
(Qty. 1)



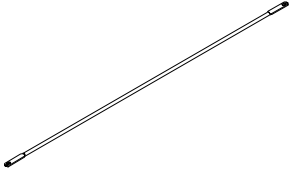
D - Right Side Frame
(Qty. 1)



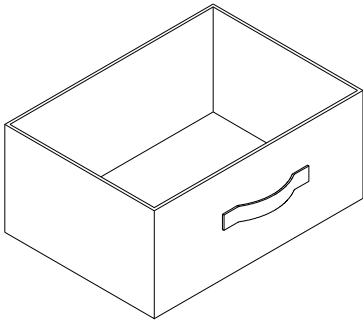
E - Upper Stretcher
(Qty. 2)



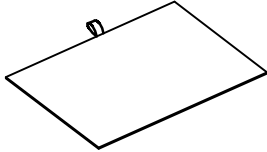
F - Lower Stretcher
(Qty. 2)



G - Metal Stretcher
(Qty. 2)



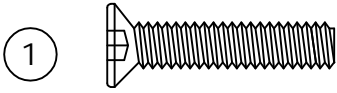
H - Fabric Drawer
(Qty. 3)



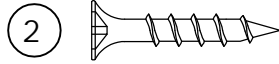
I - Drawer Bottom
(Qty. 3)

Parts and Hardware List

Please read completely through the instructions and verify that all listed parts and hardware are present before beginning assembly.



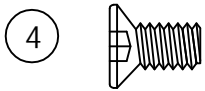
1
1/4" x 32 mm
Bolt
(Qty. 8+1 extra)



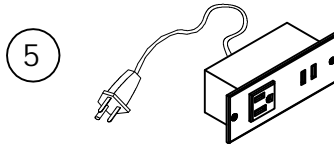
2
M4 x 25mm
Flat Head Screw
(Qty. 4+1 extra)



3
M3.5 x 15 mm
Wood Screw
(Qty. 4+1 extra)



4
1/4" x 12 mm
Bolt
(Qty. 4+1 extra)



5
Surge protector
(Qty. 1)

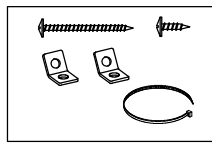


6
M3 x 12 mm
Wood Screw
(Qty. 2+1 extra)

7



Hex Wrench
(Qty. 1)

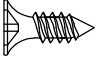


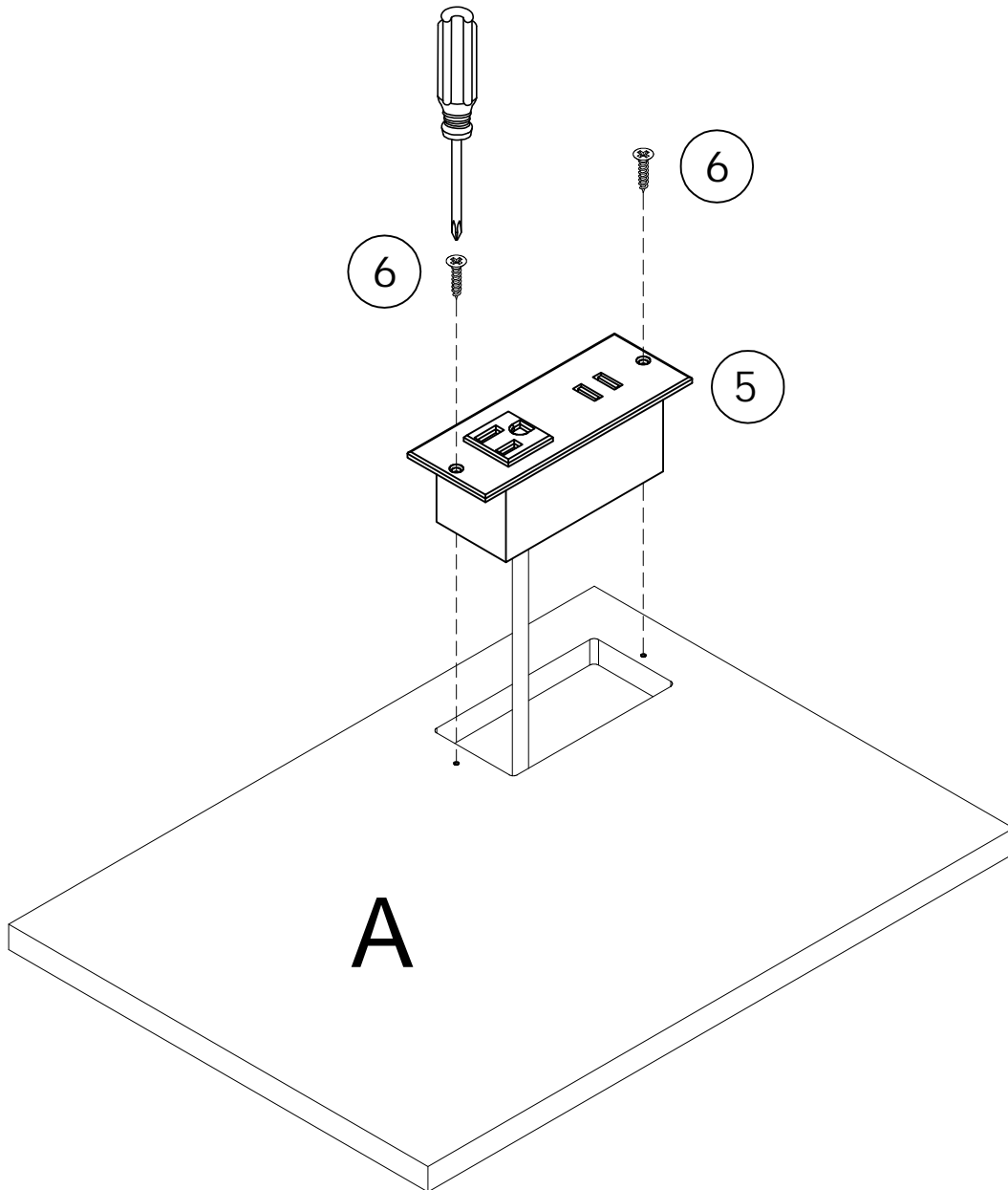
Tipping Restraint Hardware Kit
(Qty. 1)

Tools required(not provided): Phillips screwdriver, stud finder, tape measure, pencil, power drill and 1/8" drill bit.

Assembly Instructions

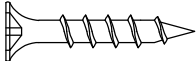
Step 1

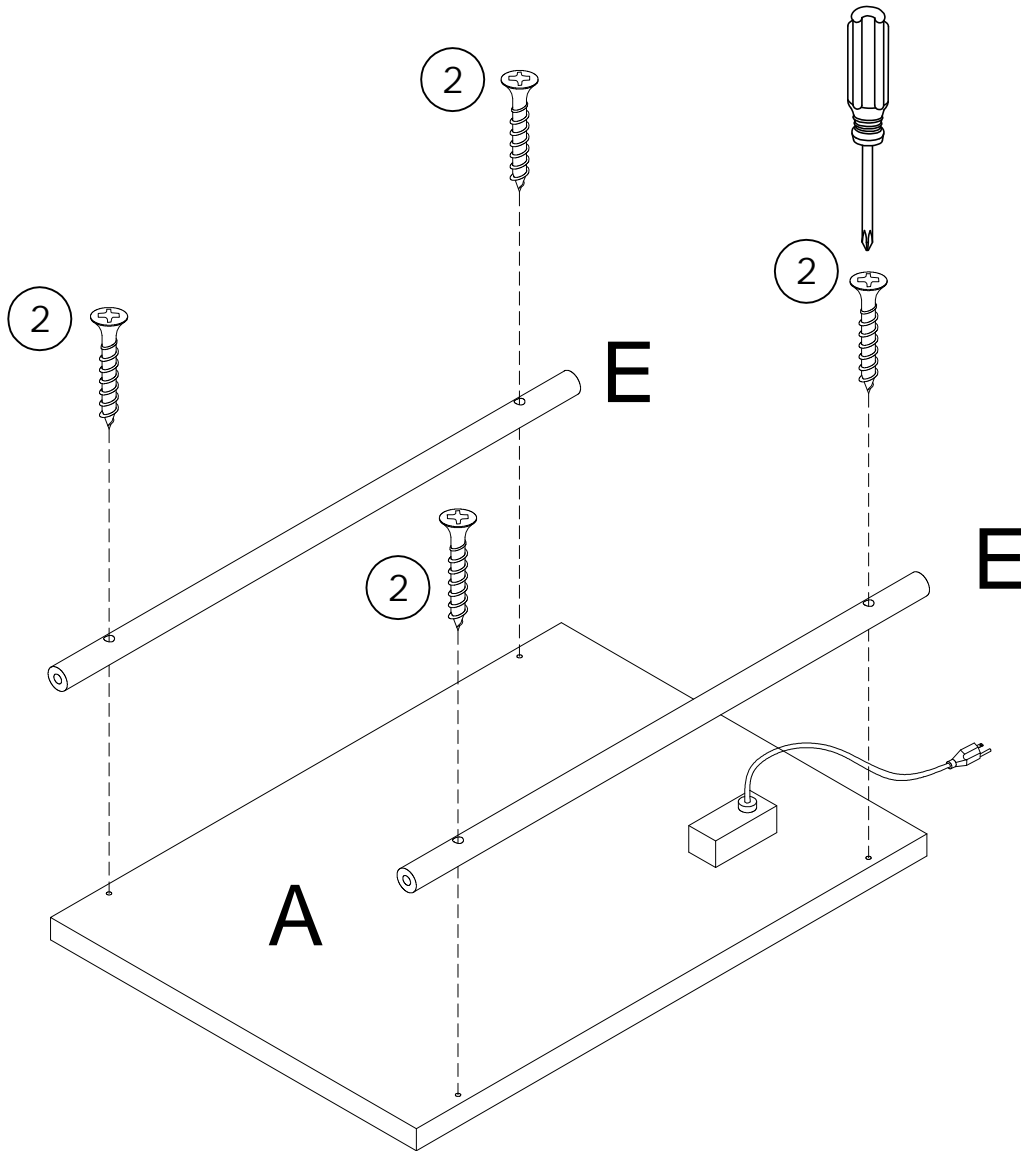
⑥ ⊕  X 2



Assembly Instructions

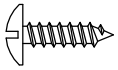
Step 2

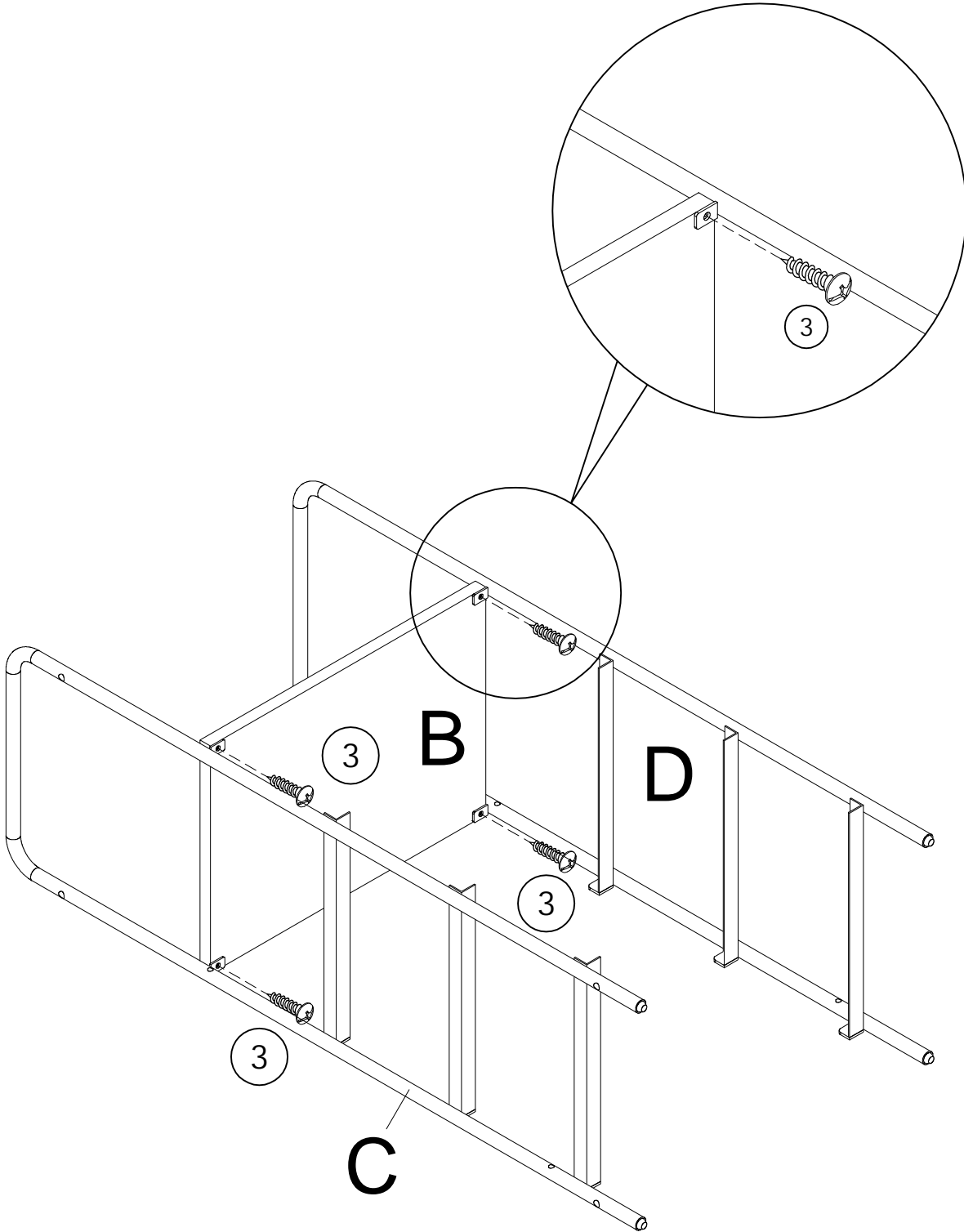
②  X 4



Assembly Instructions

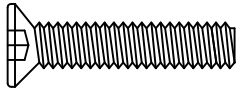
Step 3

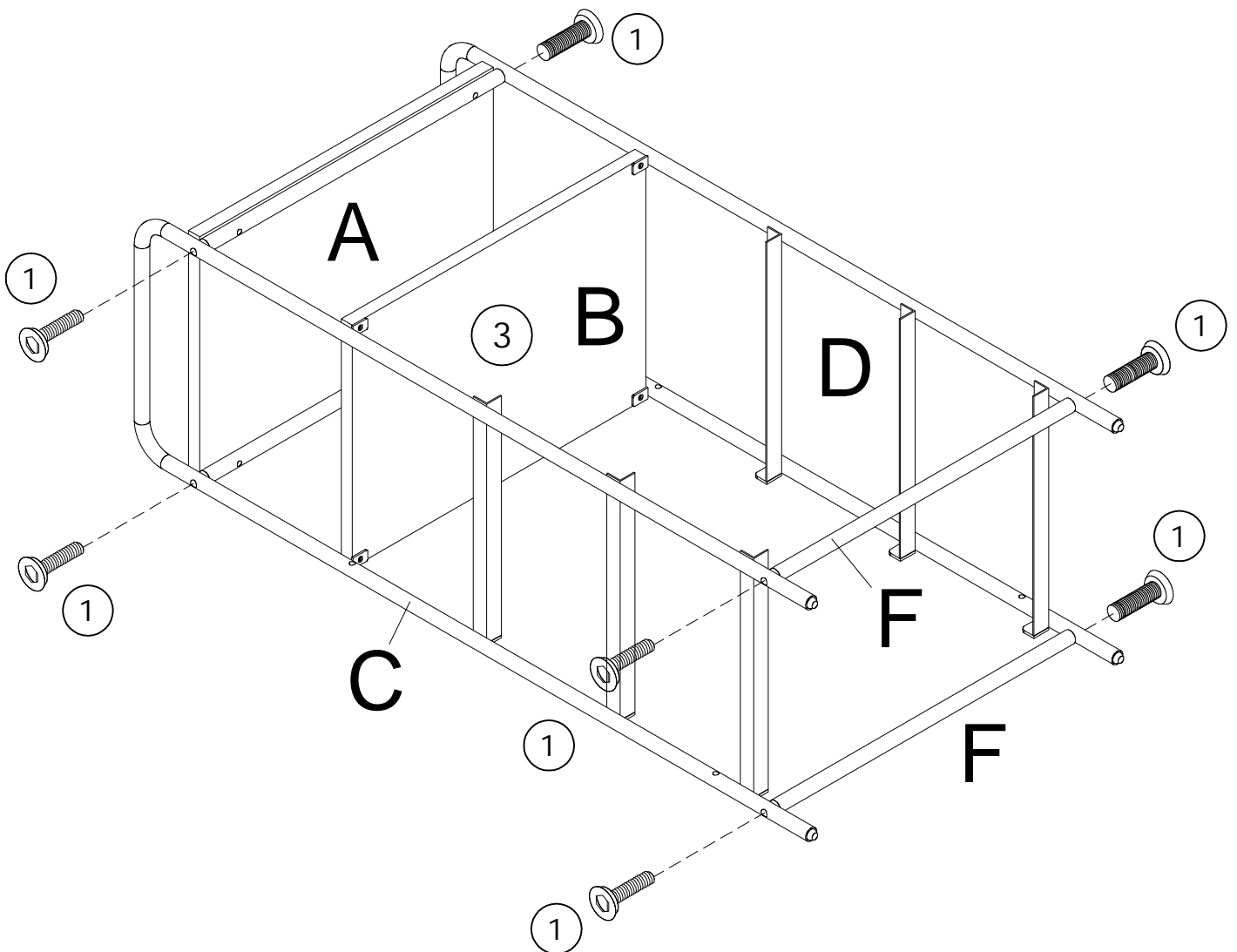
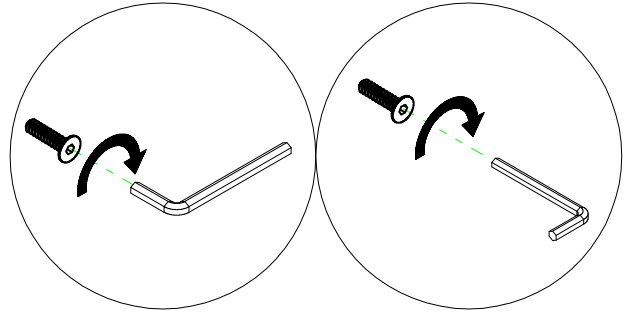
③  X 4



Assembly Instructions

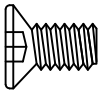
Step 4

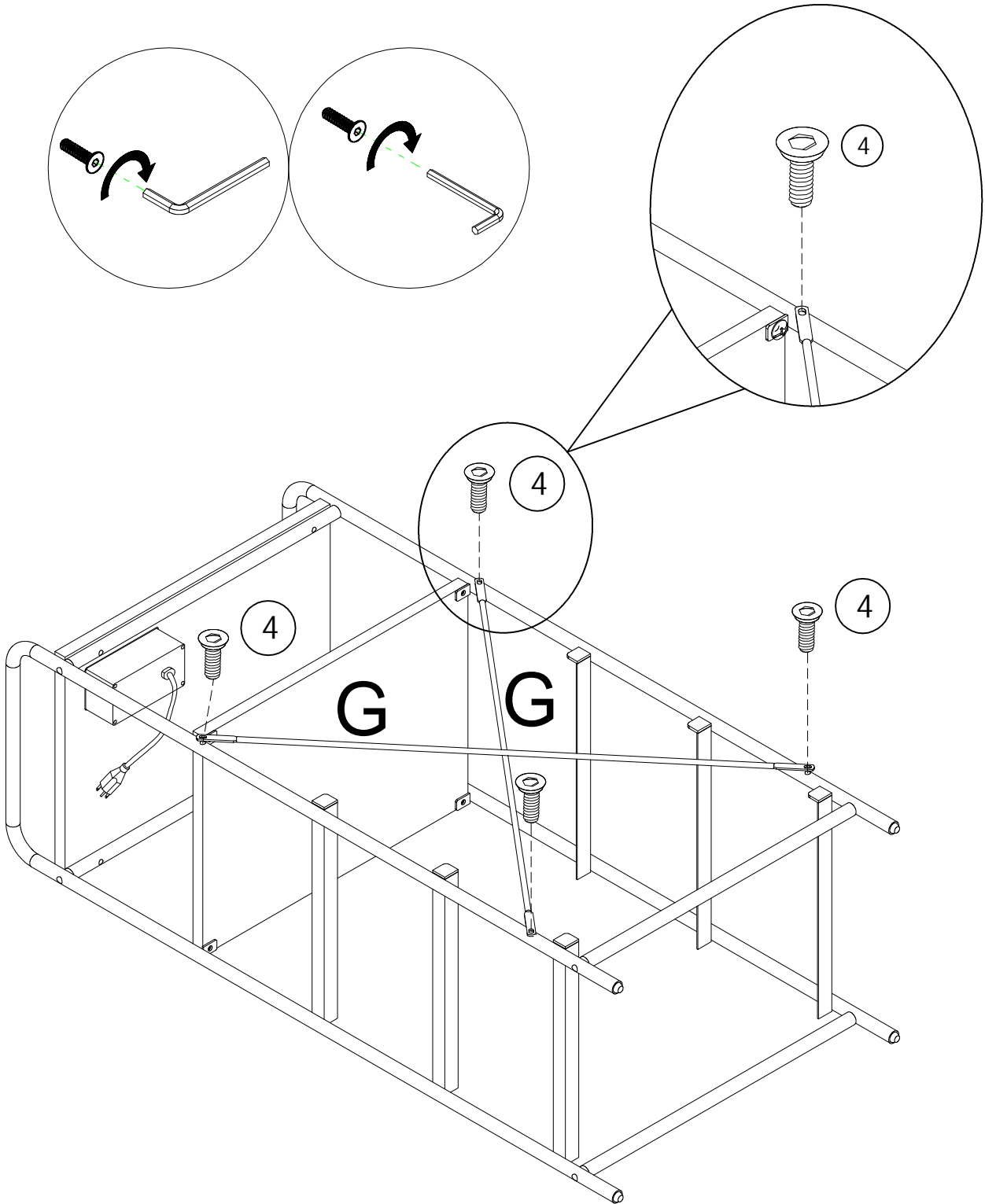
①  X 8



Assembly Instructions

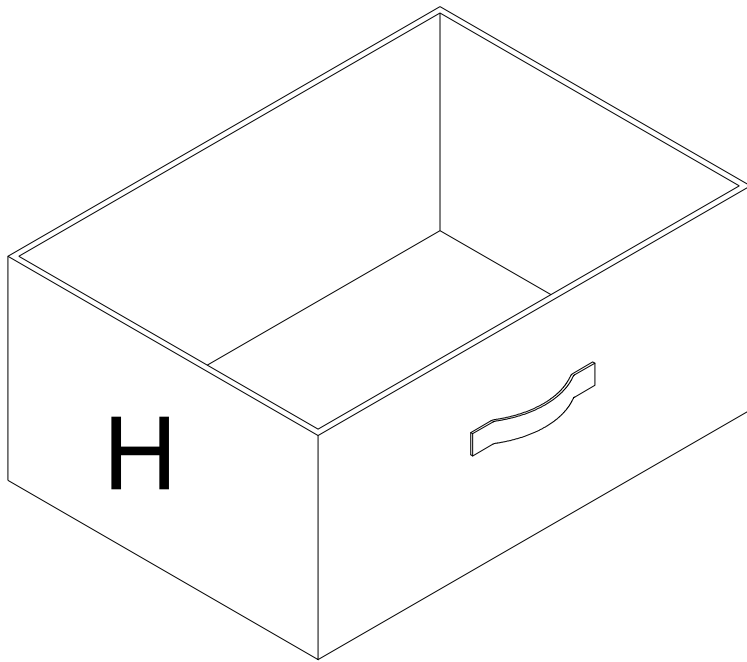
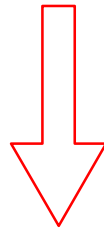
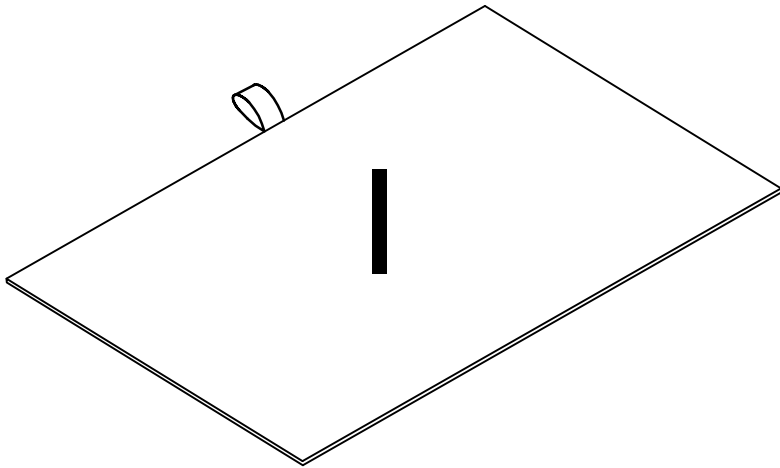
Step 5

④  X 4



Assembly Instructions

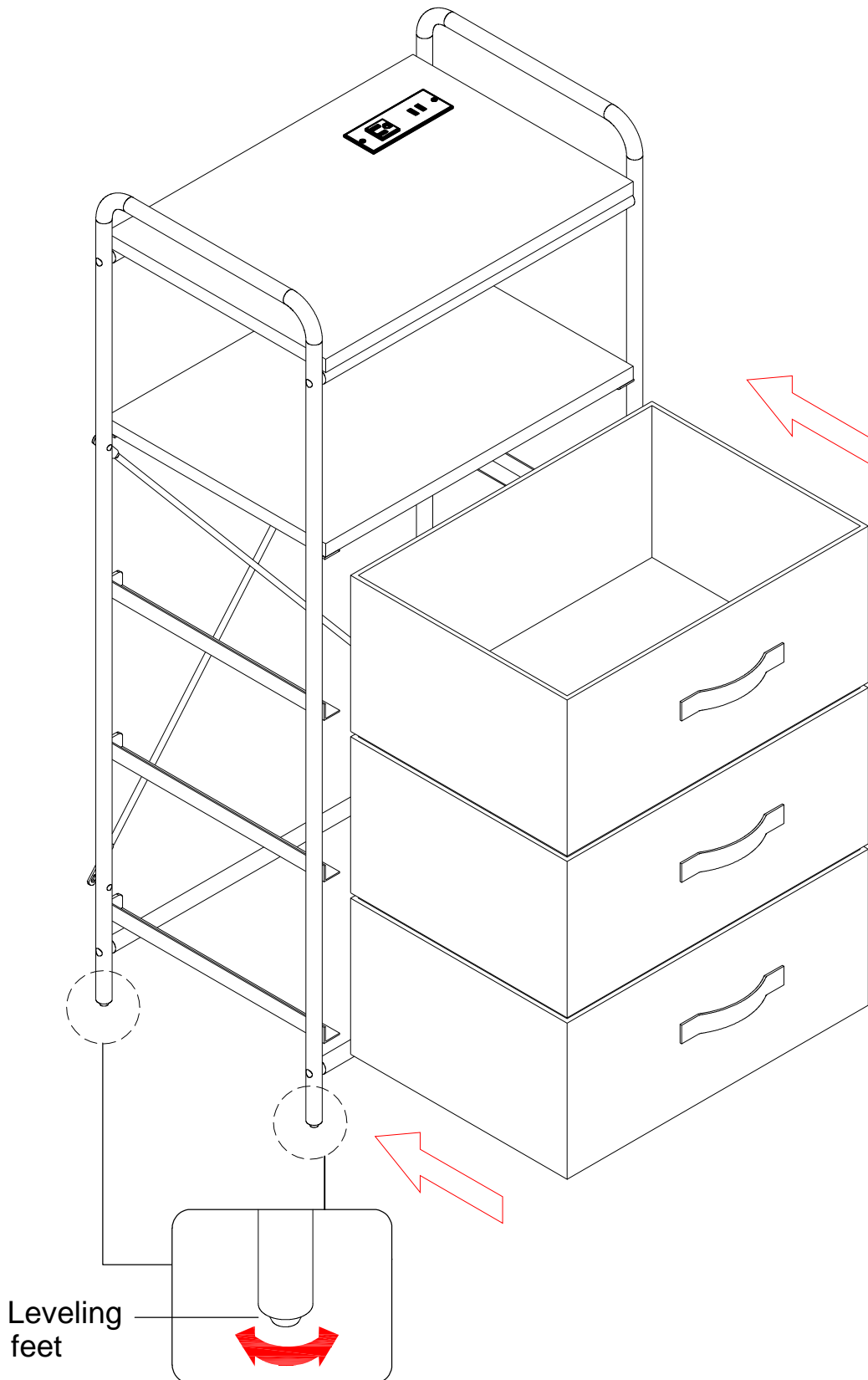
Step 6



x3

Assembly Instructions

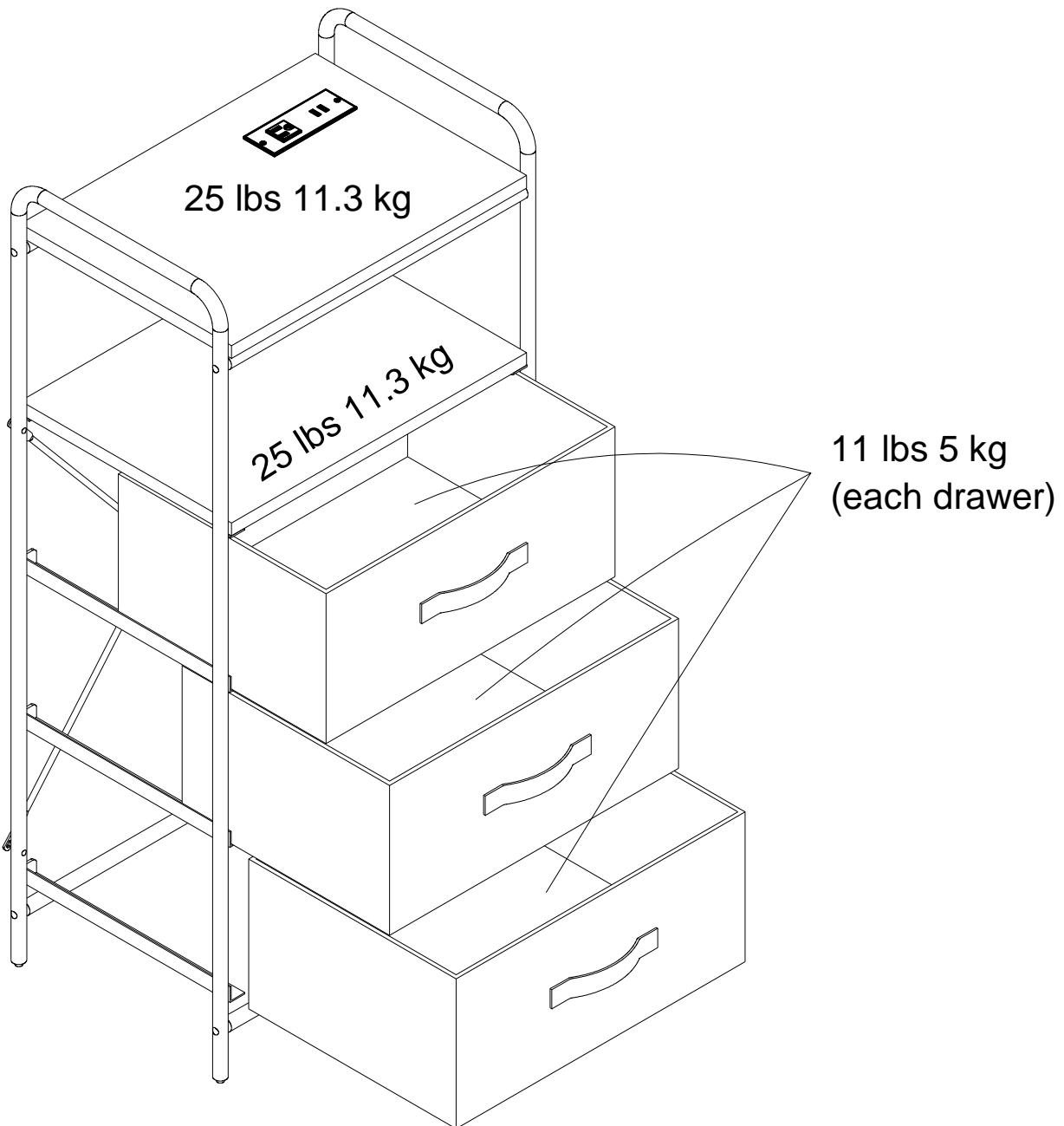
Step 7



Assembly Instructions

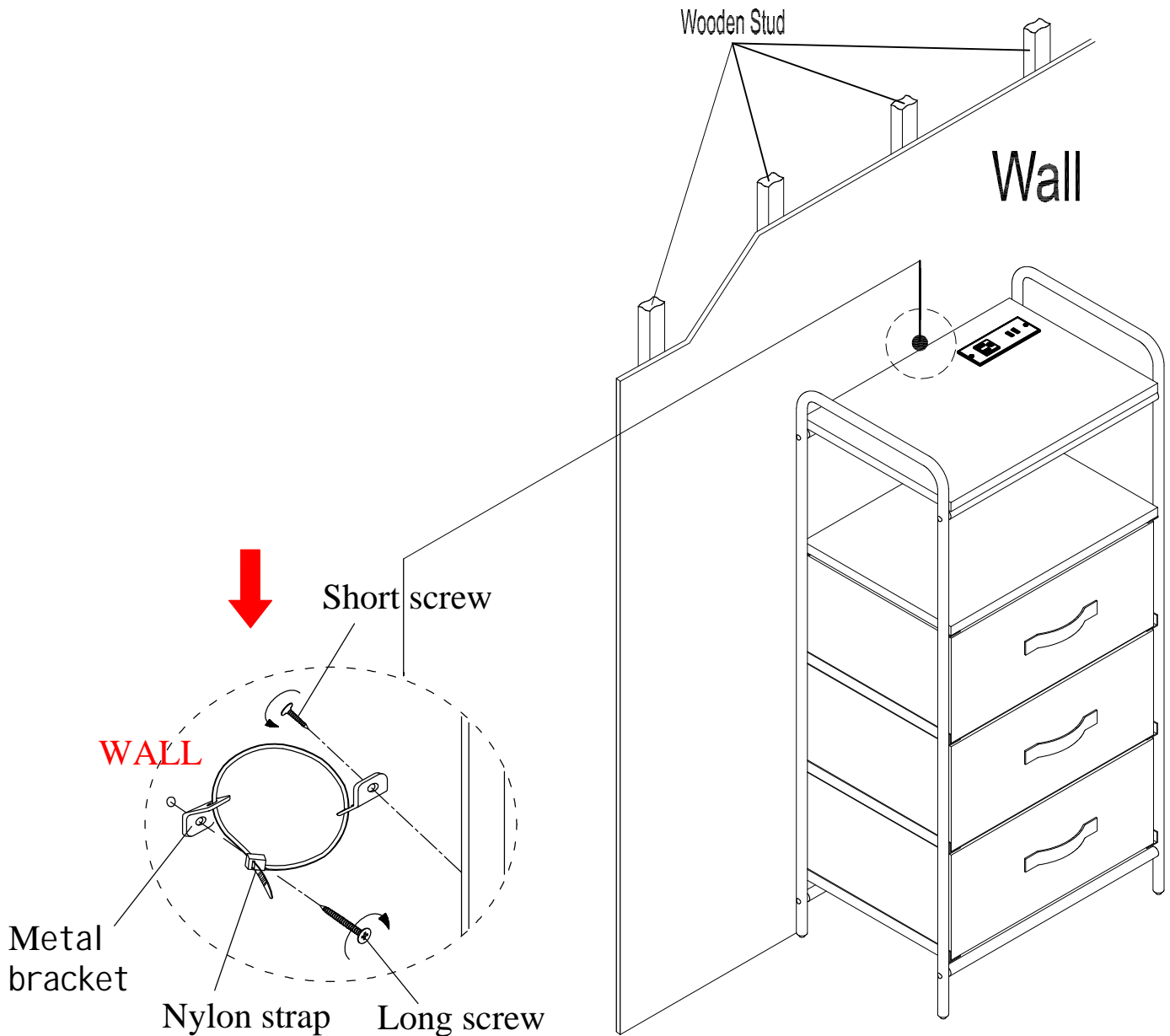
Maximum Loads

This unit has been designed to support the maximum loads shown. Exceeding these load limits could cause sagging, instability, product collapse, and/or serious injury.



Warning: Risk of injury to persons - do not place a television on this furniture. This furniture is not approved for use with a television.

Assembly Instructions



Tools required (not included): phillips screwdriver, stud finder, tape measure, pencil, power drill and 1/8" drill bit.

Now, follow the instructions printed on the plastic bag containing the tipping restraint hardware to attach the tip-over restraints to the unit and the wall.

NOTE: The tipping restraint hardware included is for wooden stud wall construction. it must be attached to a wall stud. depending upon your wall construction, different anchor hardware maybe required. please contact your local hardware store for assistance. young children can be seriously injured by tipping furniture. you must install the tipping restraint hardware with the unit to prevent the unit from tipping, causing any accidents or damage. the tipping restraints are intended only as a deterrent, they are not a substitute for proper adult supervision. the tipping restraints are not earthquake restraints. if you wish to add the extra security of earthquake restraints, they must be purchased and installed separately.

Furniture Power Distribution Unit User Guide

Please read this user guide before installing and using your power distribution Center.

INTRODUCTION

The integrated power and USB center offer 480 Mbps high transmission rate and can connect up to two devices, such as a digital camera, MP3 player or cell phone.

SPECIFICATIONS

cETLus listed, Rating: 12A 125V 60Hz 1500W , USB Output: 5V-2A Max

NOTES

- To reach USB 2.1 high speed, your computer or host adapter card must support USB 2.1. This hub is also backwards compatible with USB 1.1.
- When using the hub with a computer that has a version 1.1 USB interface, all of the devices attached to the hub will run at USB 1.1 speed.

NOTES: This equipment has been tested and found to comply with the limits for a Class B digital device, pursuant to part 15 of the FCC Rules. These limits are designed to provide reasonable protection against harmful interference in a residential installation. This equipment generates, uses and can radiate radio frequency energy and, if not installed and used in accordance with the instructions, may cause harmful interference to radio communications. However, there is no guarantee that interference will not occur in a particular installation.

If this equipment does cause harmful interference to radio or television reception, which can be determined by turning the equipment off and on, the user is encouraged to try to correct the interference by one or more of the following measures:

- Reorient or relocate the receiving antenna.
- Increase the separation between the equipment and receiver.
- Connect the equipment into an outlet on a circuit different from that to which the receiver is connected.
- Consult the dealer or an experienced radio/TV technician for help.

This device complies with Part 15 of the FCC Rules. Operation is subject to the following two conditions: (1) This device may not cause harmful interference, and (2) this device must accept any interference received including interference that may cause undesired operation.

WARNINGS

- ! Your hub automatically shuts off any port with a low or excessive current.
- ! If USB Hub Current Limit Exceeded appears on your screen, disconnect the affected USB device, click Reset on the screen, and reconnect the device.
- ! If one of your hub ports is disabled, but USB Hub Current Limit Exceeded does not appear:
 - Disconnect and reconnect the affected device.
 - If the port still does not work, disconnect the hub and the device, and then reconnect.
- ! Keep your desktop hub dry; if it gets wet, wipe it dry immediately.
- ! Do not modify or tamper with your desktop hub's internal components. It may cause a malfunction and invalidate its warranty.
- ! Modifications not approved by the party responsible for compliance could void user's authority to operate the equipment.