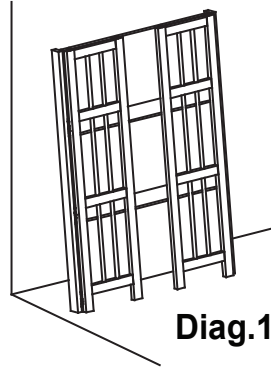
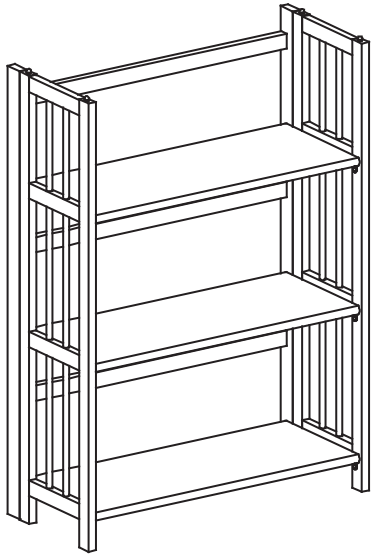
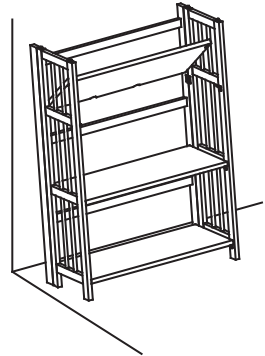


## ASSEMBLY INSTRUCTION 3 TIER FOLDING BOOKCASE

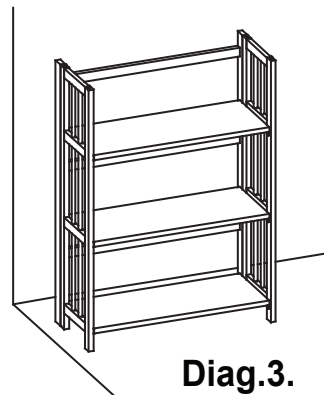


Diag.1.

**Step 1 :** Gently lean the closed bookcase against the wall with a slight tilt to the back as per Diag.1.




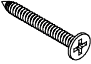
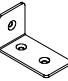
**Step 2 :** Open side panels and while they are opened lower each shelf as per Diag. 2. Make sure each shelf rests on the metal clip one on each side of the side panels.



Diag.3.

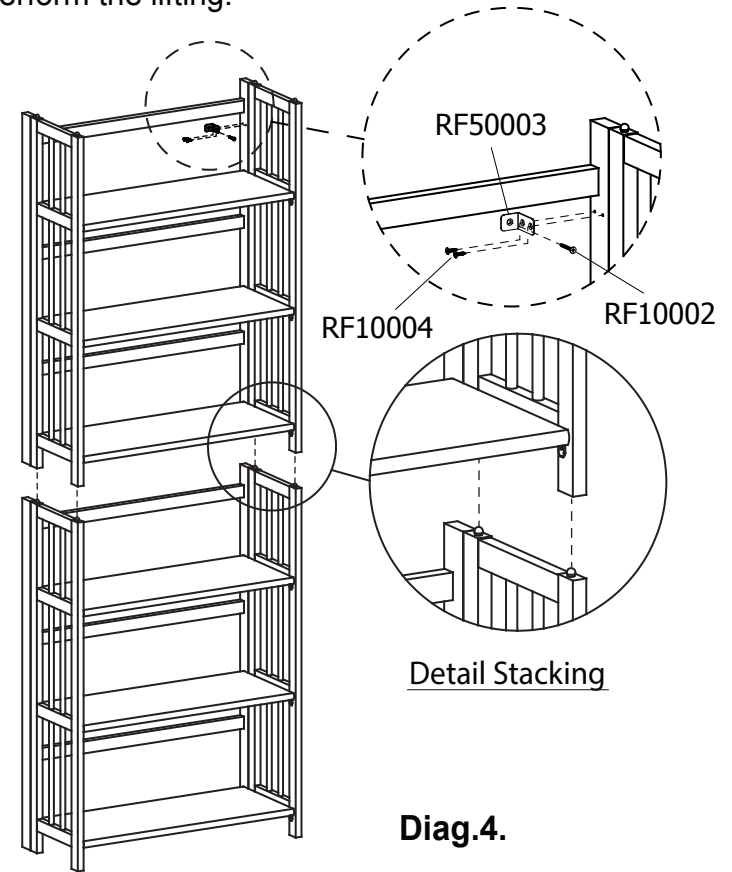
**Step 3 :** Stand the bookcase to its upright position as per Diag.3

### List of Hardware

NO	DESCRIPTION	Q'TY
RF10004	 Screws F6 x 5/8"	4
RF10002	 Screws F6 x 1 1/4"	2
RF50003	 L-Bracket	2

## STACKABLE OPTION

**CAUTION,** highly recommended that with two people perform the lifting.



Diag.4.

Gently lift the second bookcase and place it on top of the first as per Diag.4. The ball like tip should securely fit into each hole at the bottom of the bookcase.

Use 1-2 L-brackets (RF50003) and screws F6 x 5/8" (RF10004) to attach two side panels to the studs in the wall, using screws F6 x 1 1/4" (RF10002) as per Diag. 4.