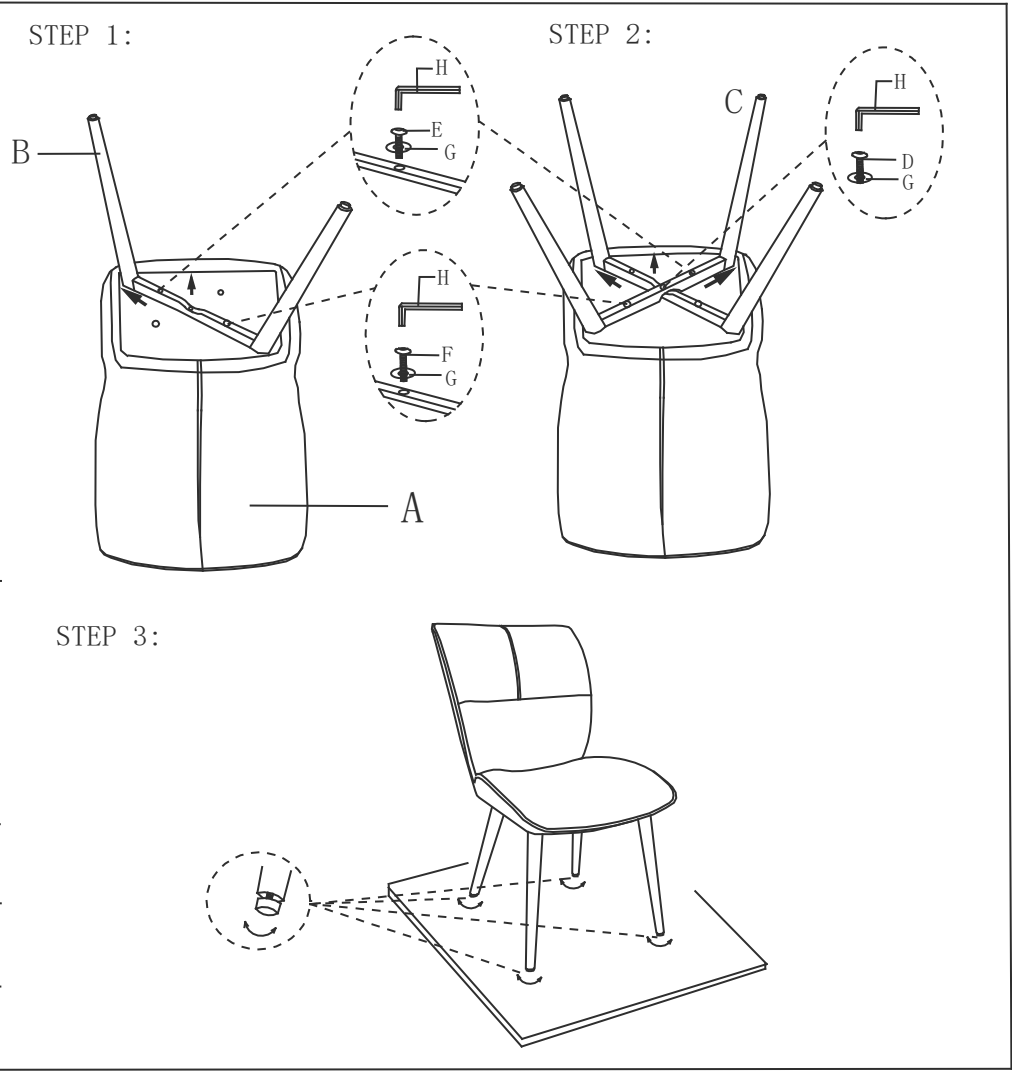


ASSEMBLY INSTRUCTION



ITEM	PART	NAME	QUANTITY
(A)		SEAT	1
(B)		METAL LEG (L)	1
(C)		METAL LEG (R)	1
(D)		BOLT M6*30	1
(E)		BOLT M6*45	2
(F)		BOLT M6*50	2
(G)		WASHER	5
(H)		ALLEN KEY	1



NOTE:

- PLEASE PLACE THE CHAIR ONTO A SOFT AND CLEAN SURFACE FOR ASSEMBLY.
- CLEANING OF PU/LEATHER/FABRIC COVER- WIPE CLEAN WITH A SOFT CLOTH MOISTENED WITH WATER AND NEUTRAL DETERGENT. DO NOT USE BLEACH, CHEMICAL OR BIOLOGICAL CLEANERS.