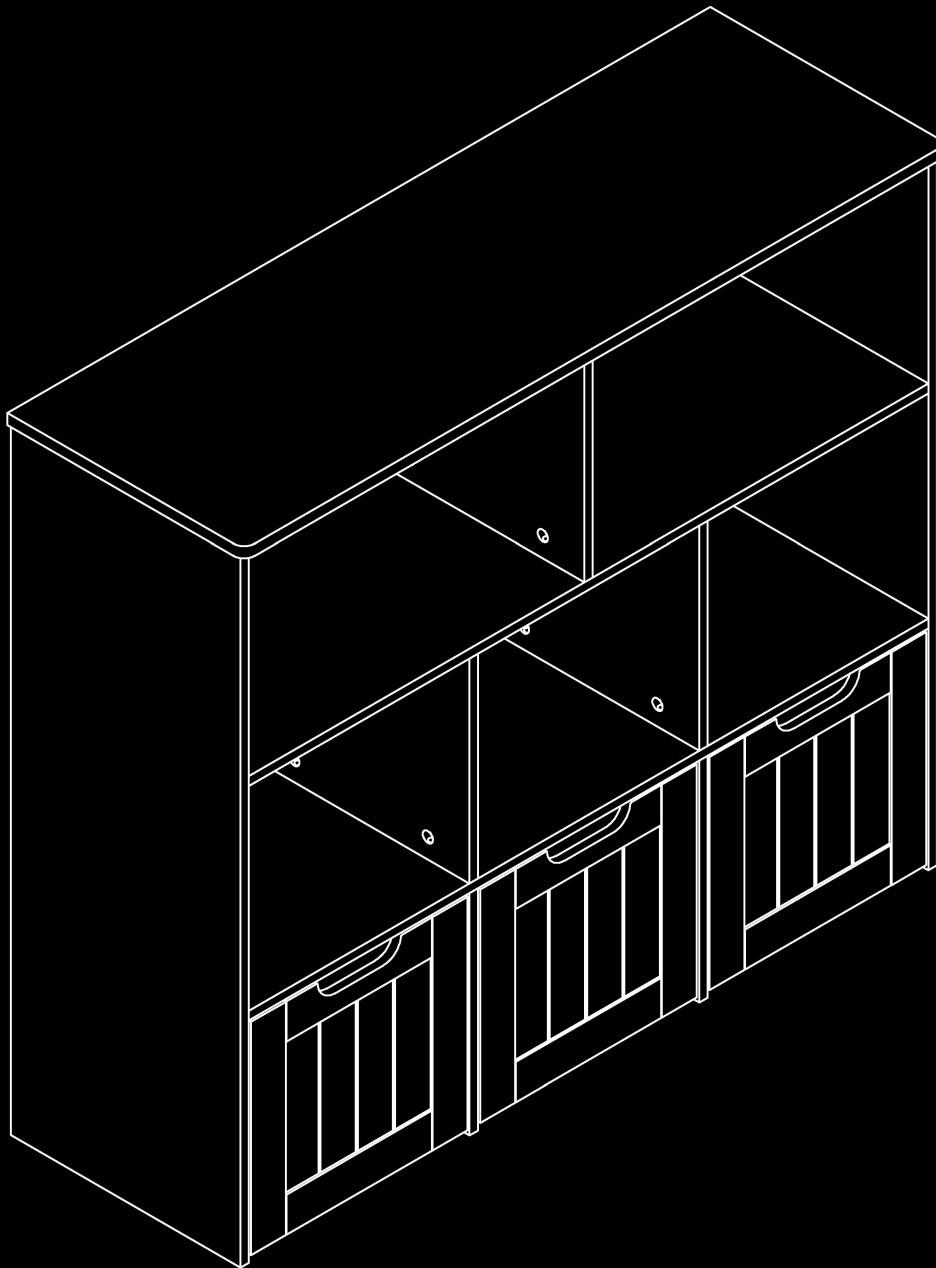
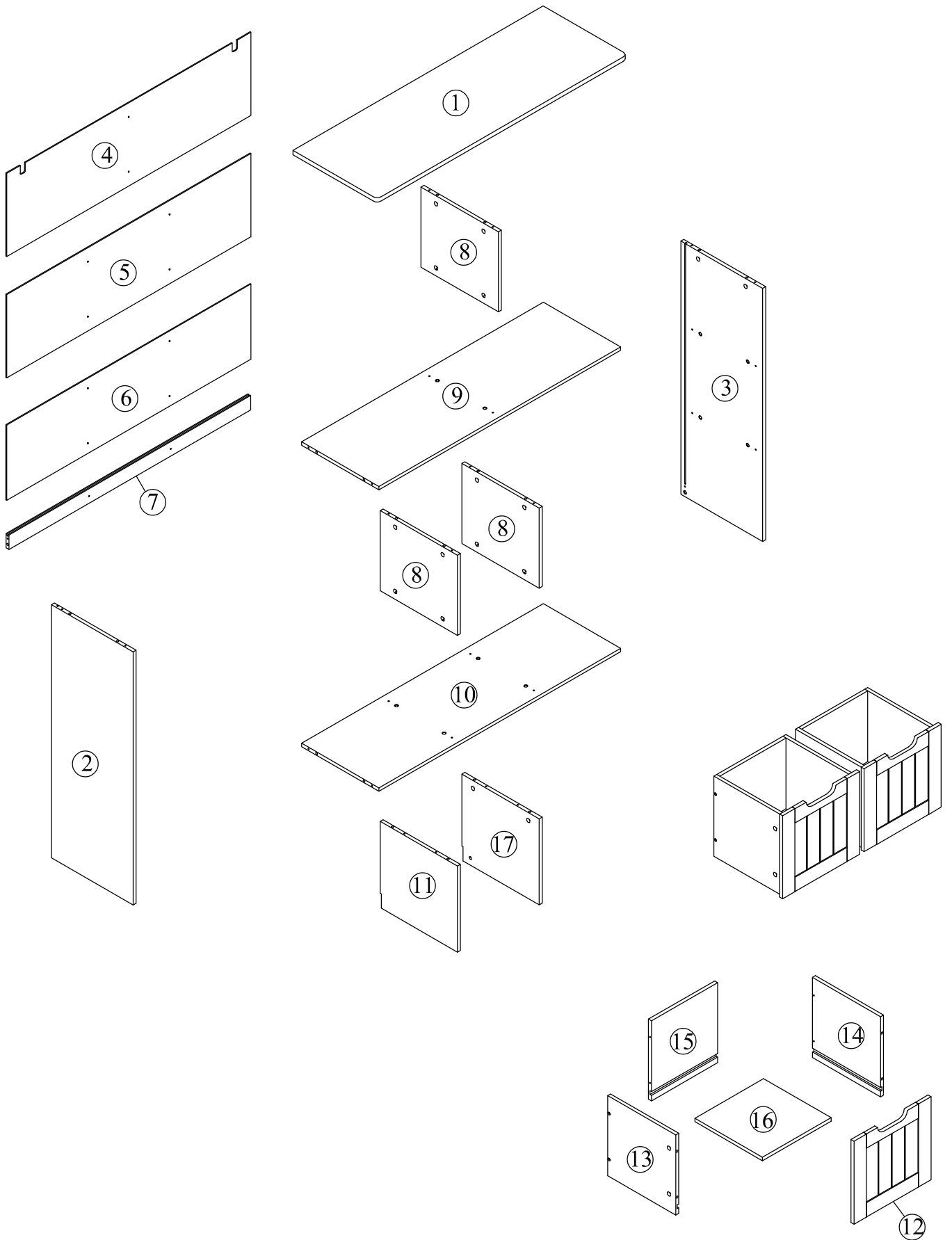


Bookcase

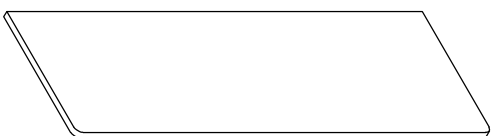
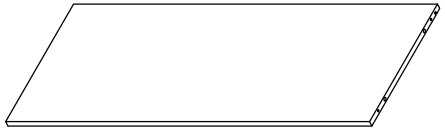
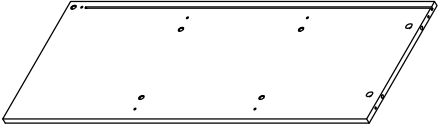
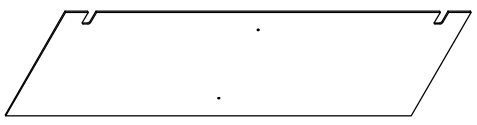
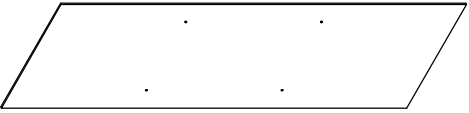
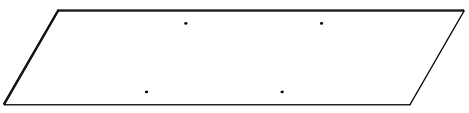
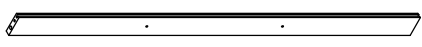
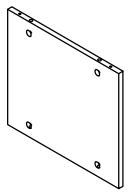
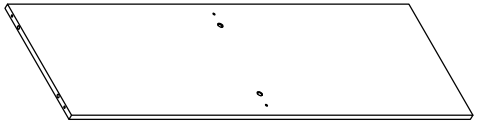

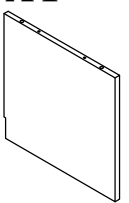
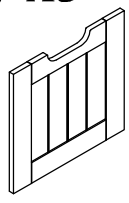
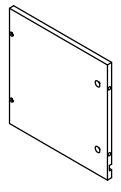
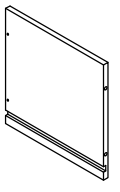
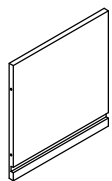
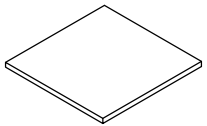
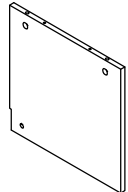
Instruction Manual





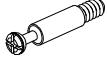

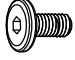

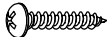




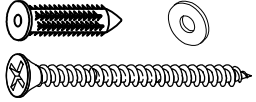
Detail:



Part List

<p>① x1</p> 	<p>② x1</p> 		
<p>③ x1</p> 	<p>④ x1</p> 		
<p>⑤ x1</p> 	<p>⑥ x1</p> 		
<p>⑦ x1</p> 	<p>⑧ x3</p> 		
<p>⑨ x1</p> 	<p>⑩ x1</p> 		
<p>⑪ x1</p> 	<p>⑫ x3</p> 	<p>⑬ x3</p> 	<p>⑭ x3</p> 
<p>⑮ x3</p> 	<p>⑯ x3</p> 	<p>⑰ x1</p> 	

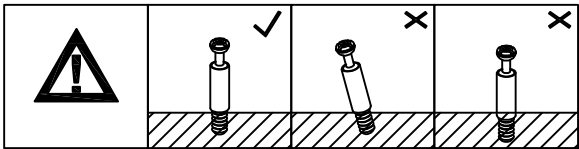
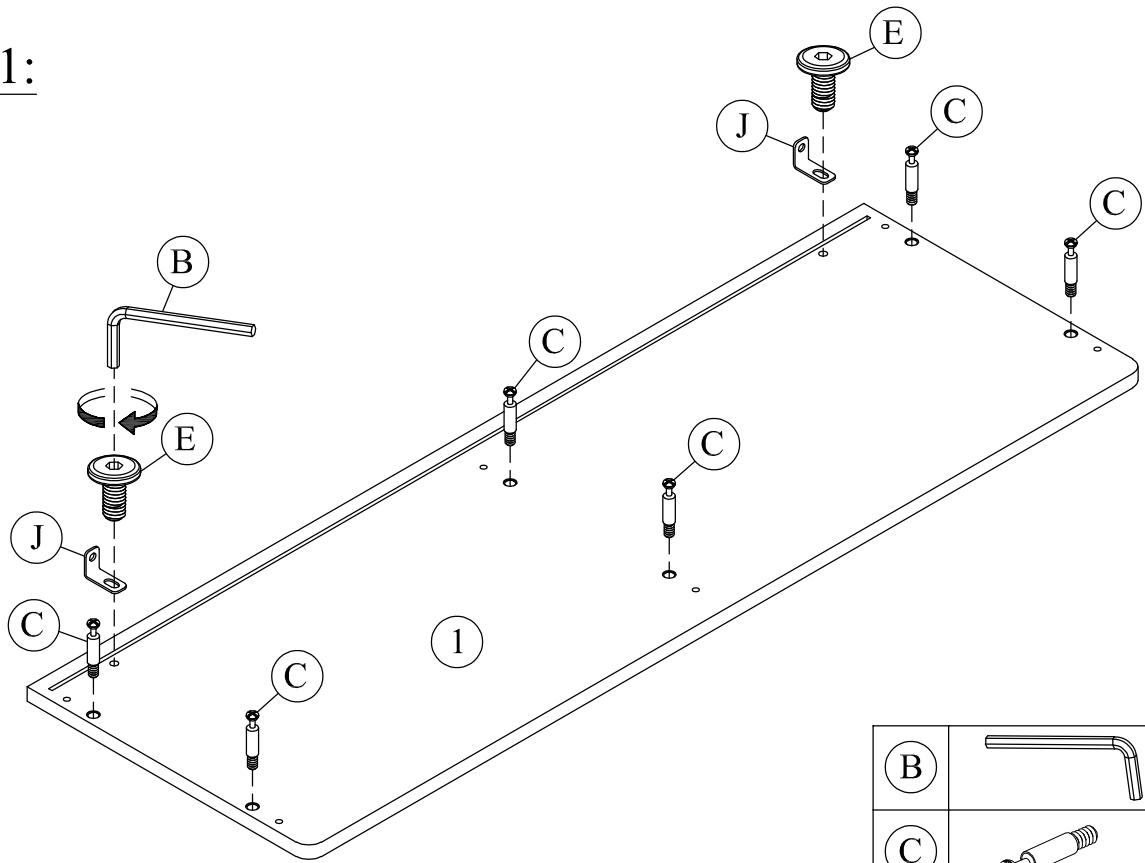
Hardware List

No.	OUTLOOK	DESC	QTY
(A)		Dowel Ø6*20mm	30pcs
(B)		Allen key 60*22*4mm	1pc
(C)		Cam dowel	42pcs
(D)		Camlock	42pcs
(E)		Bolts M6*10mm	2pcs
(F)		Flat head screw #8*60mm	14pcs
(G)		Round head screw #7*15mm	10pcs
(H)		Round head screw #7*10mm	24pcs
(I)		Cross dowel Ø10*10mm	14pcs
(J)		Pat L	2pcs
(K)		Wheels	12pcs
(L)		Anti tip kit	2set

ASSEMBLY TOOLS REQUIRED (NOT INCLUDED)

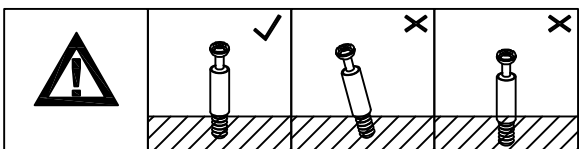
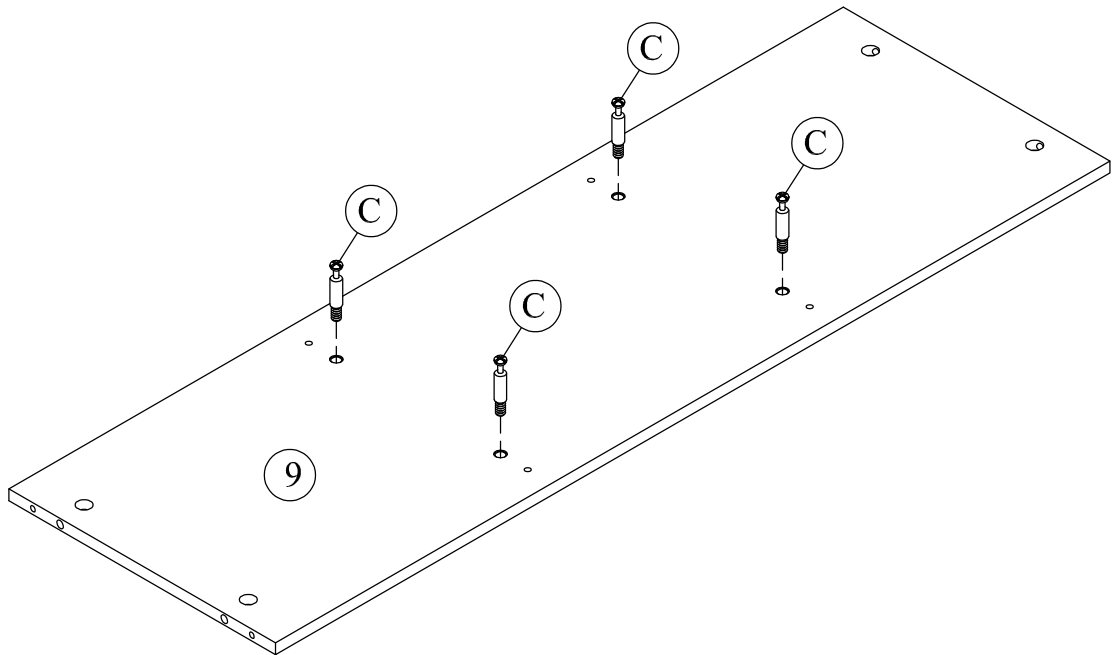


STEP 1:



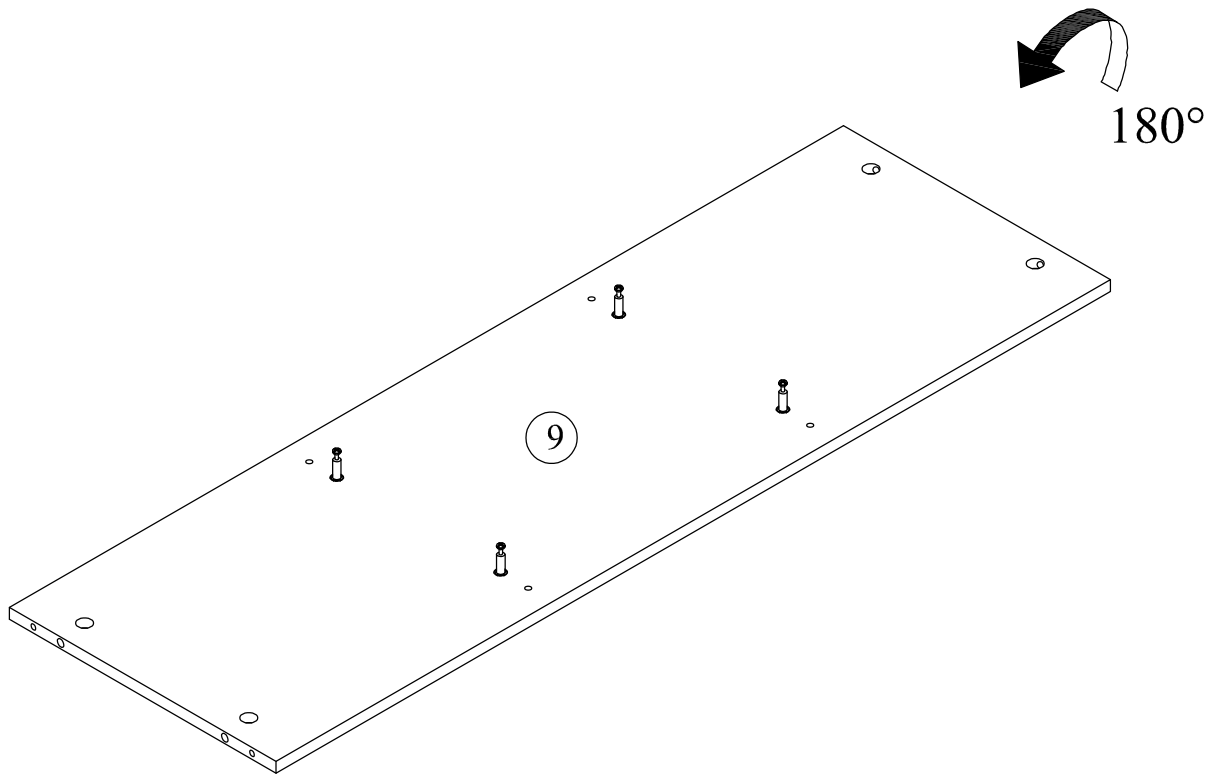
(B)		1pc
(C)		6pcs
(E)	 M6*10mm	2pcs
(J)		2pcs

STEP 2:

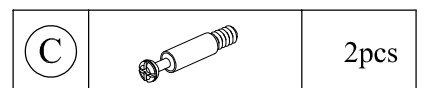
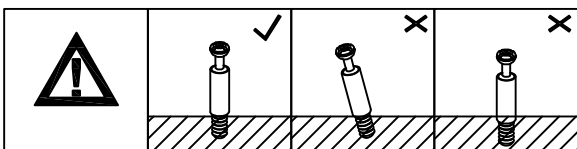
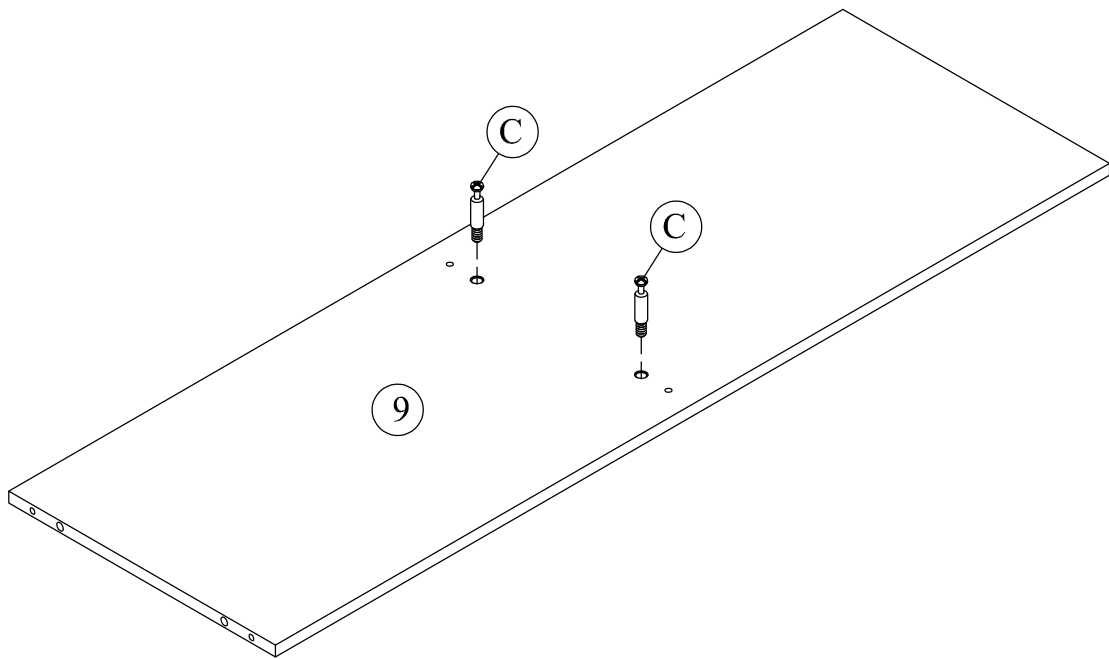


(C)		4pcs
-----	--	------

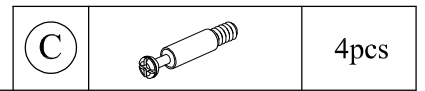
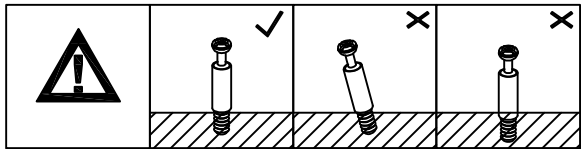
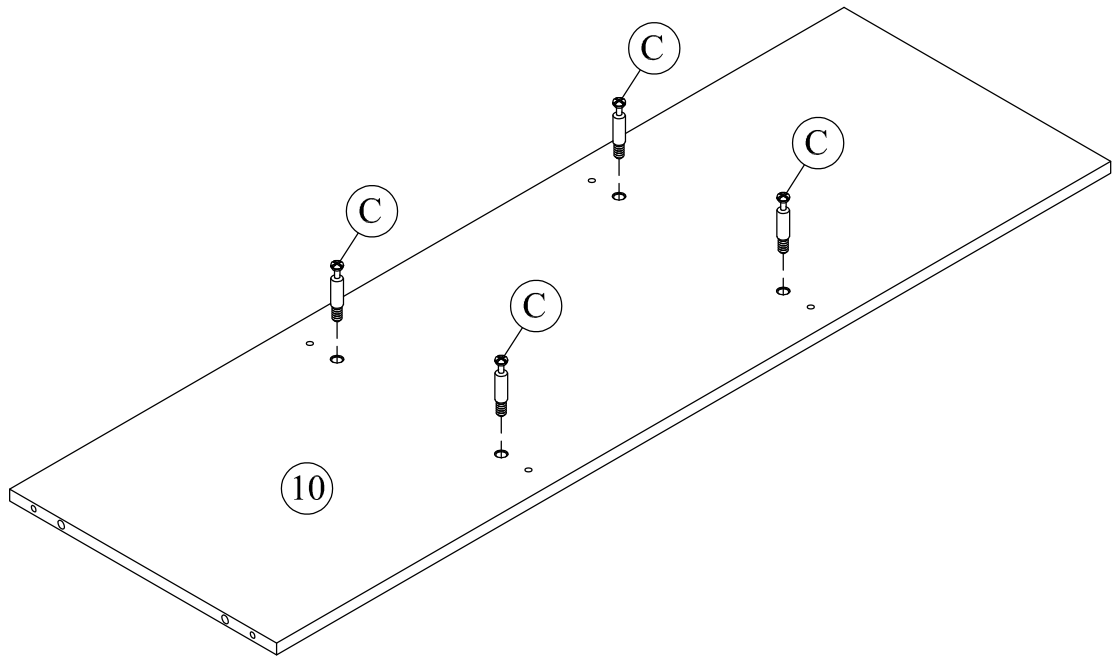
STEP 3:



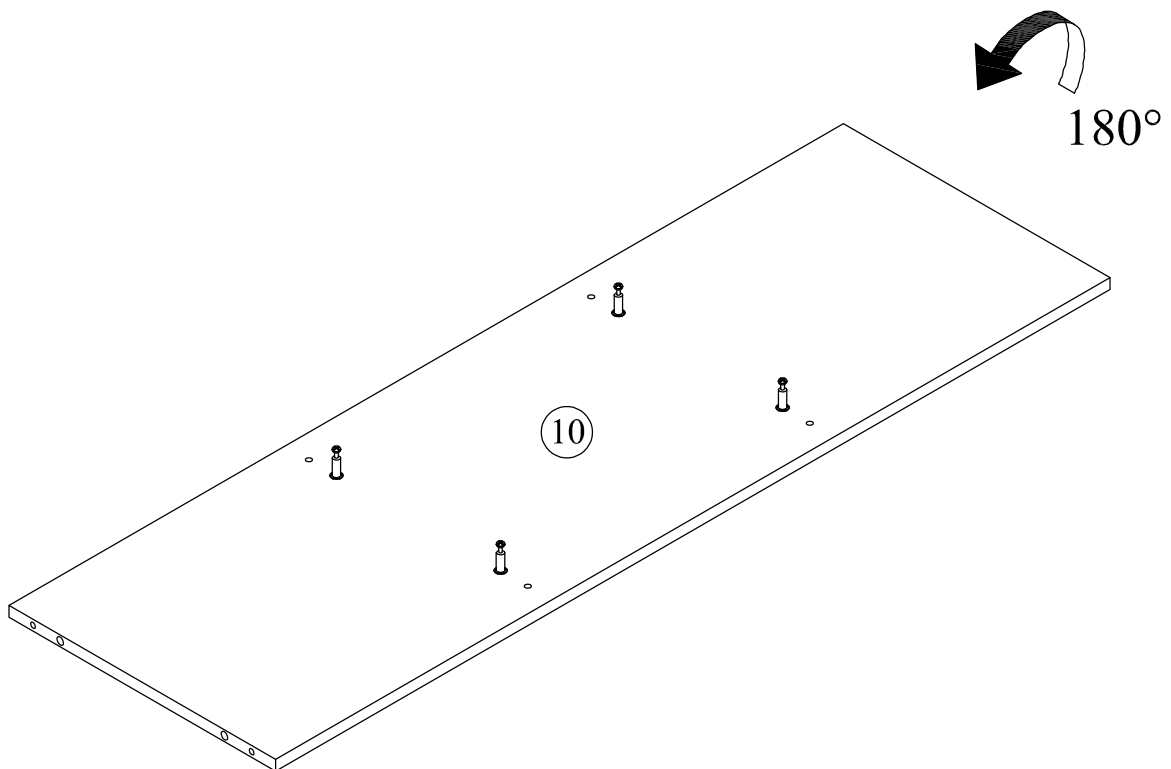
STEP 4:



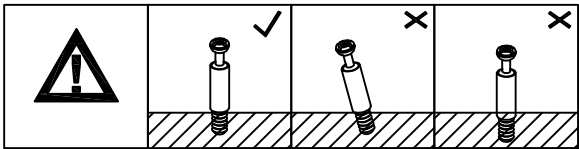
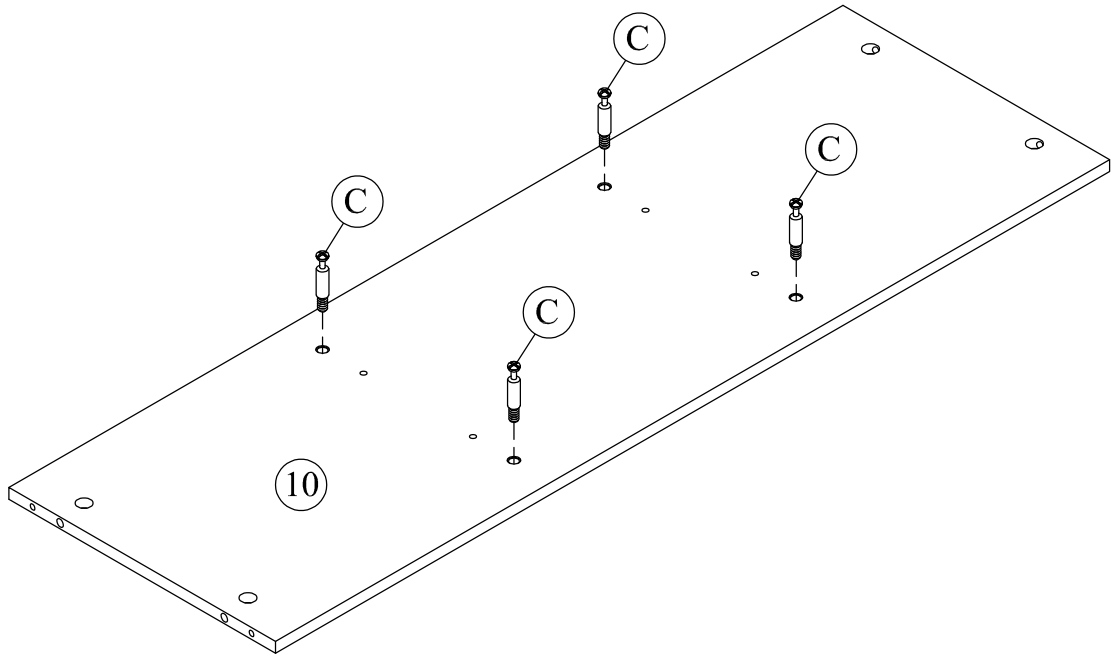
STEP 5:

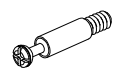


STEP 6:

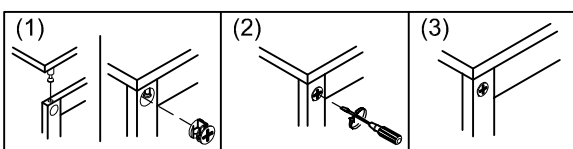
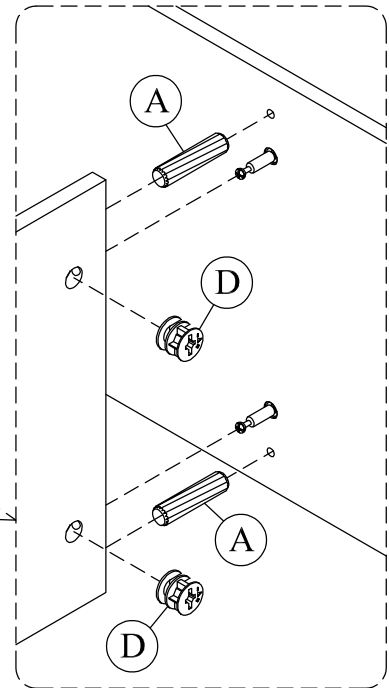
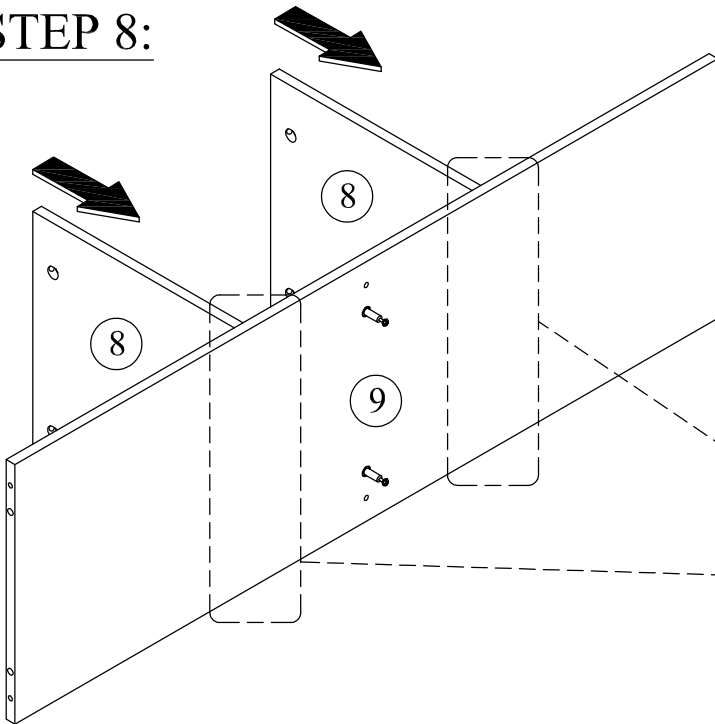




STEP 7:



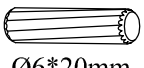

C		4pcs
---	---	------

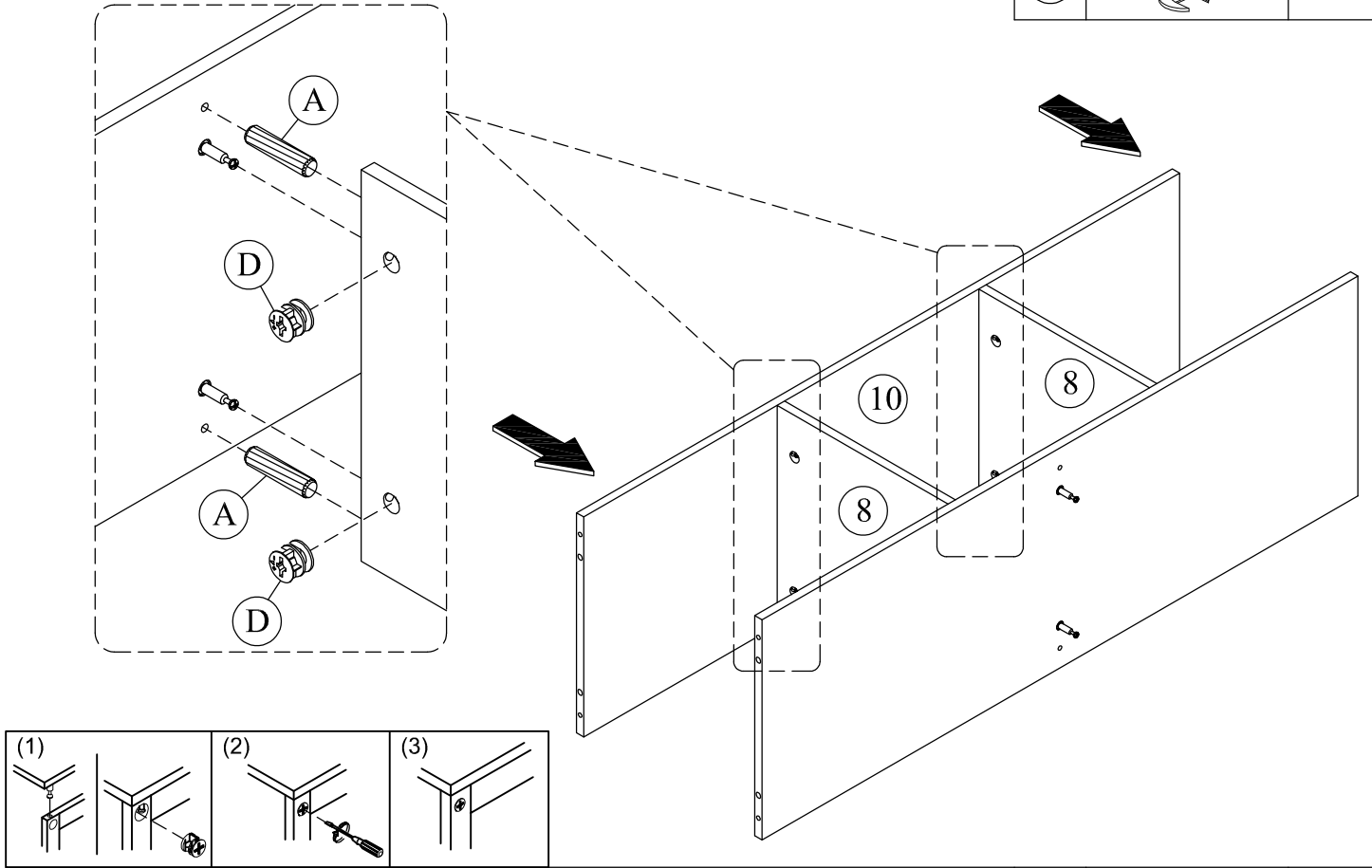
STEP 8:



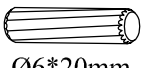

A	 Ø6*20mm	4pcs
D		4pcs

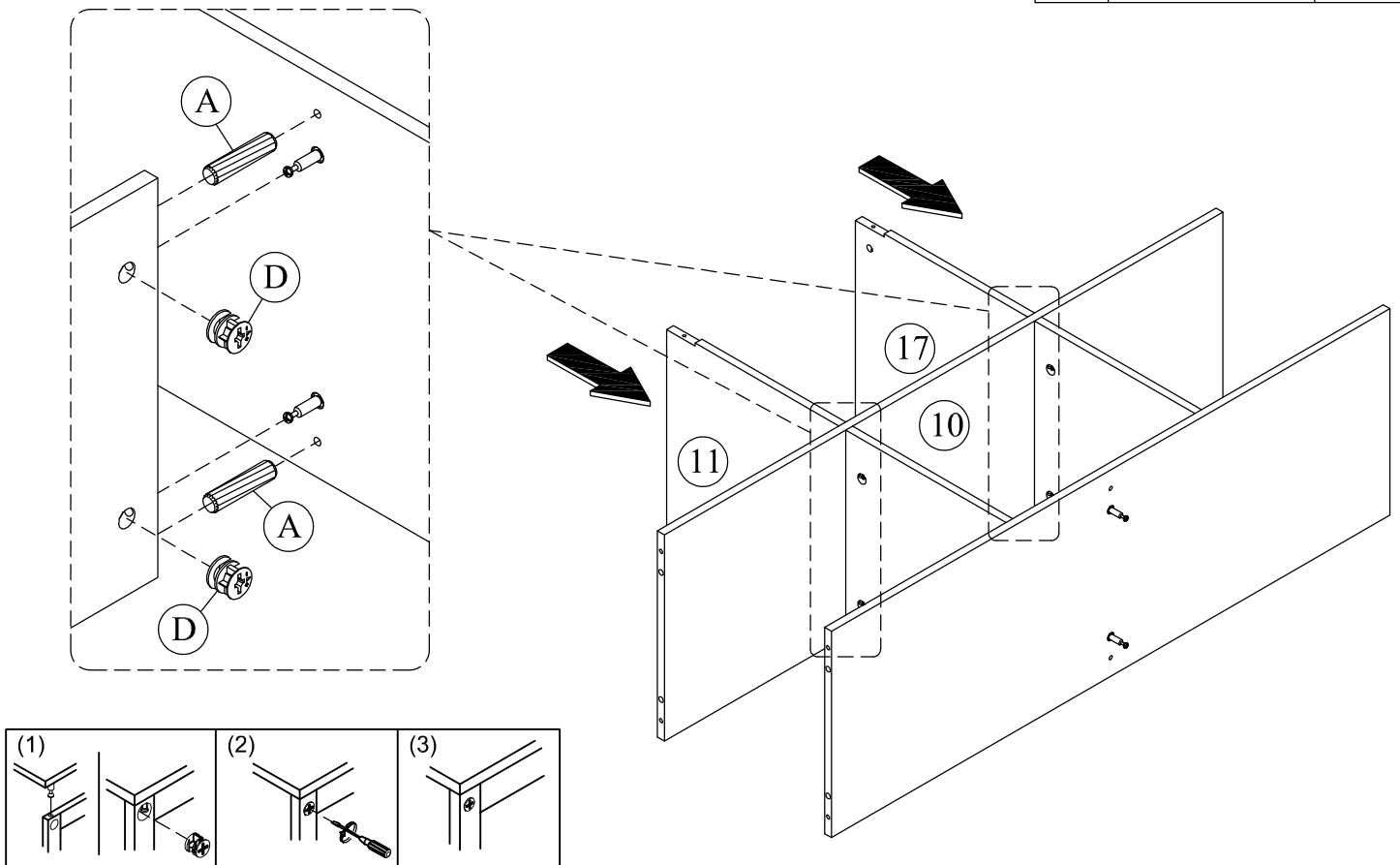
STEP 9:

(A)	 Ø6*20mm	4pcs
(D)		4pcs

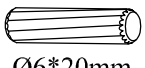



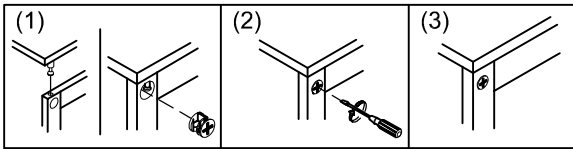
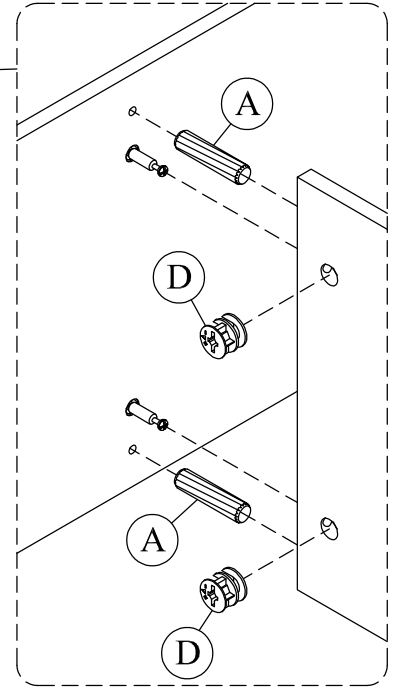
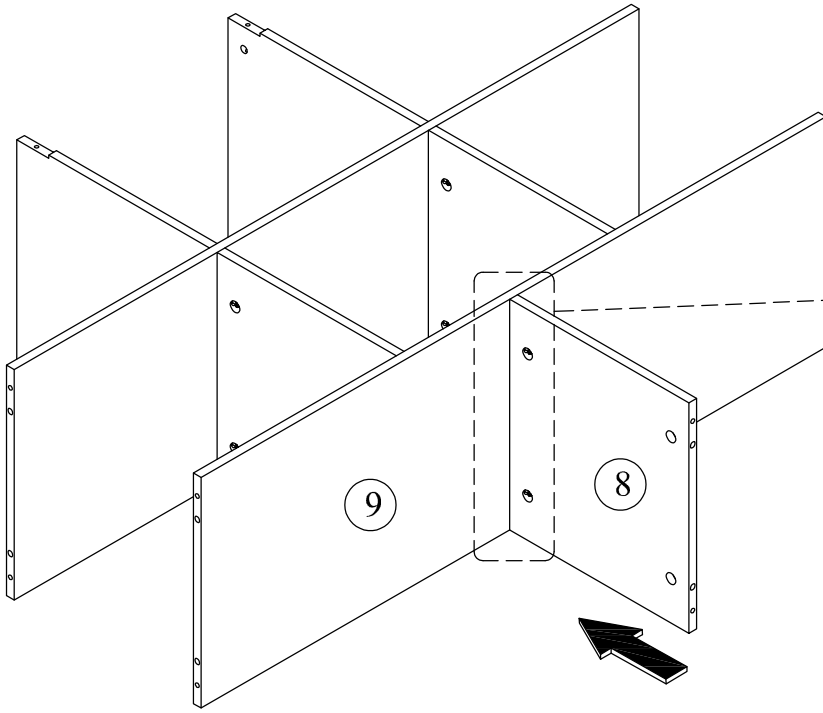
STEP 10:

(A)	 Ø6*20mm	4pcs
(D)		4pcs



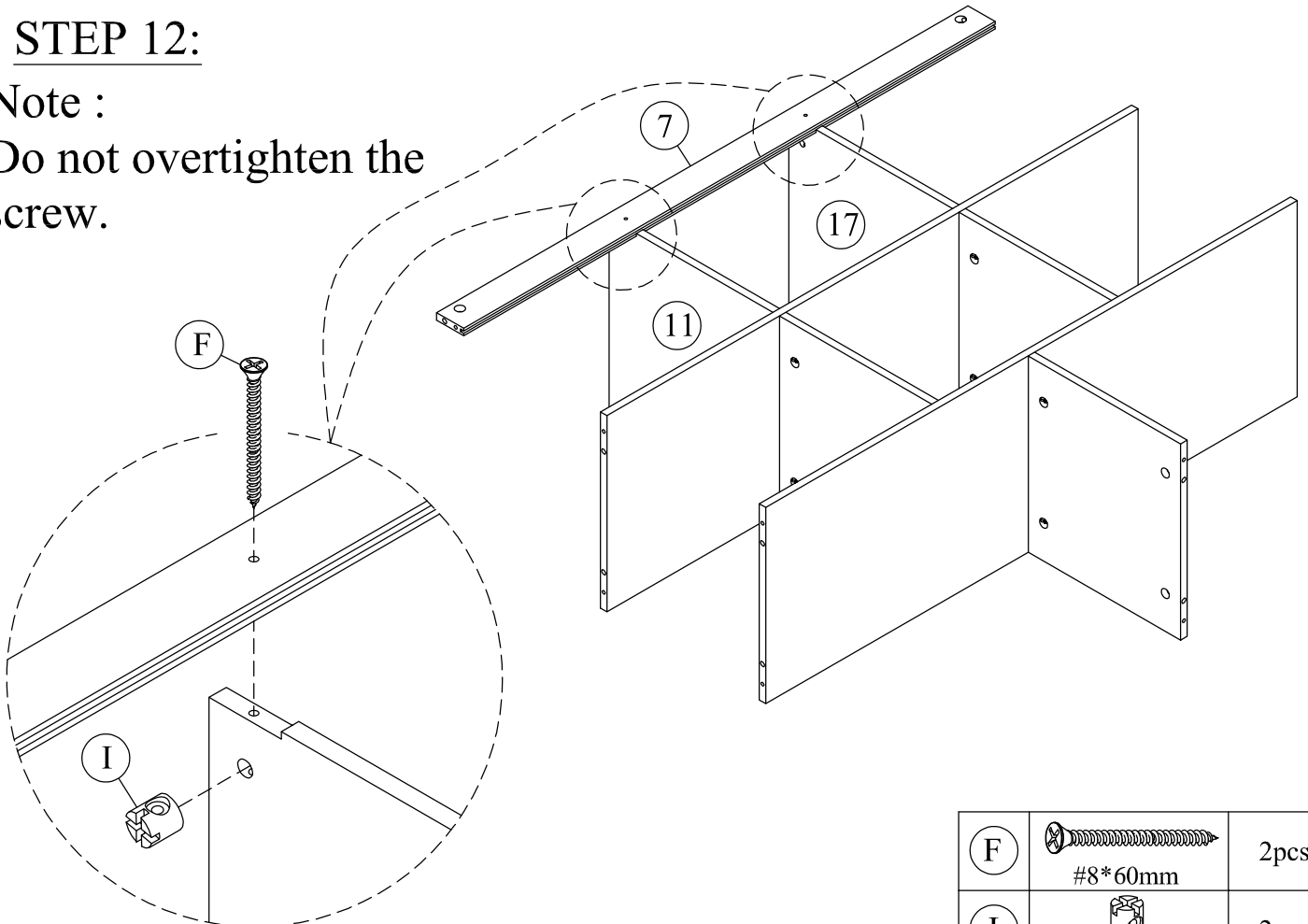
STEP 11:

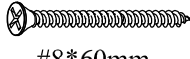

(A)	 Ø6*20mm	2pcs
(D)		2pcs



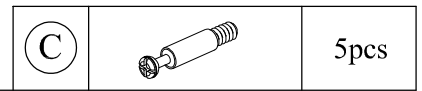
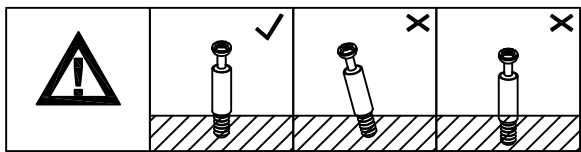
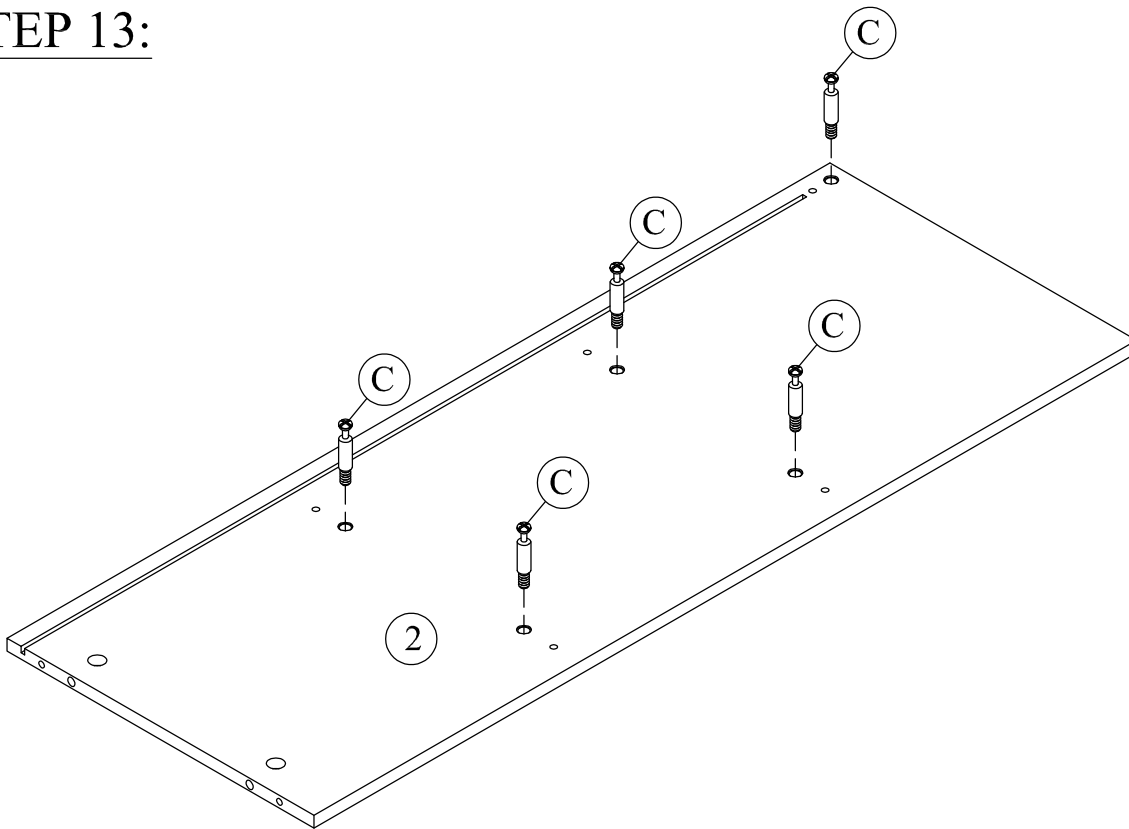
STEP 12:

Note :
Do not overtighten the
screw.

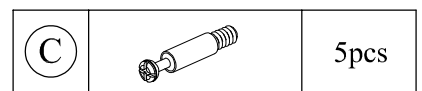
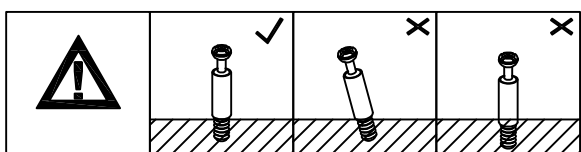
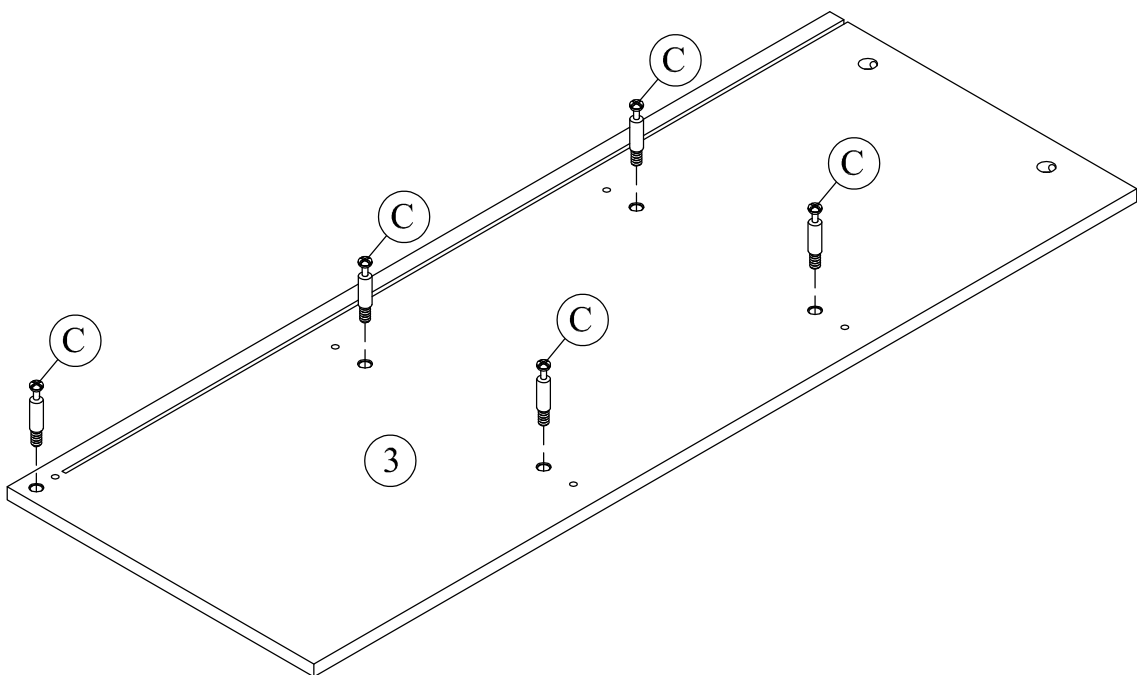


(F)	 #8*60mm	2pcs
(I)	 Ø10*10mm	2pcs

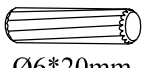

STEP 13:

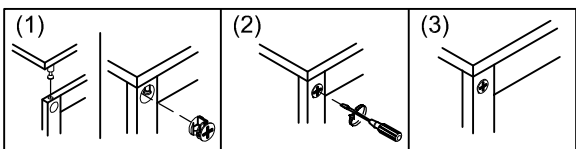
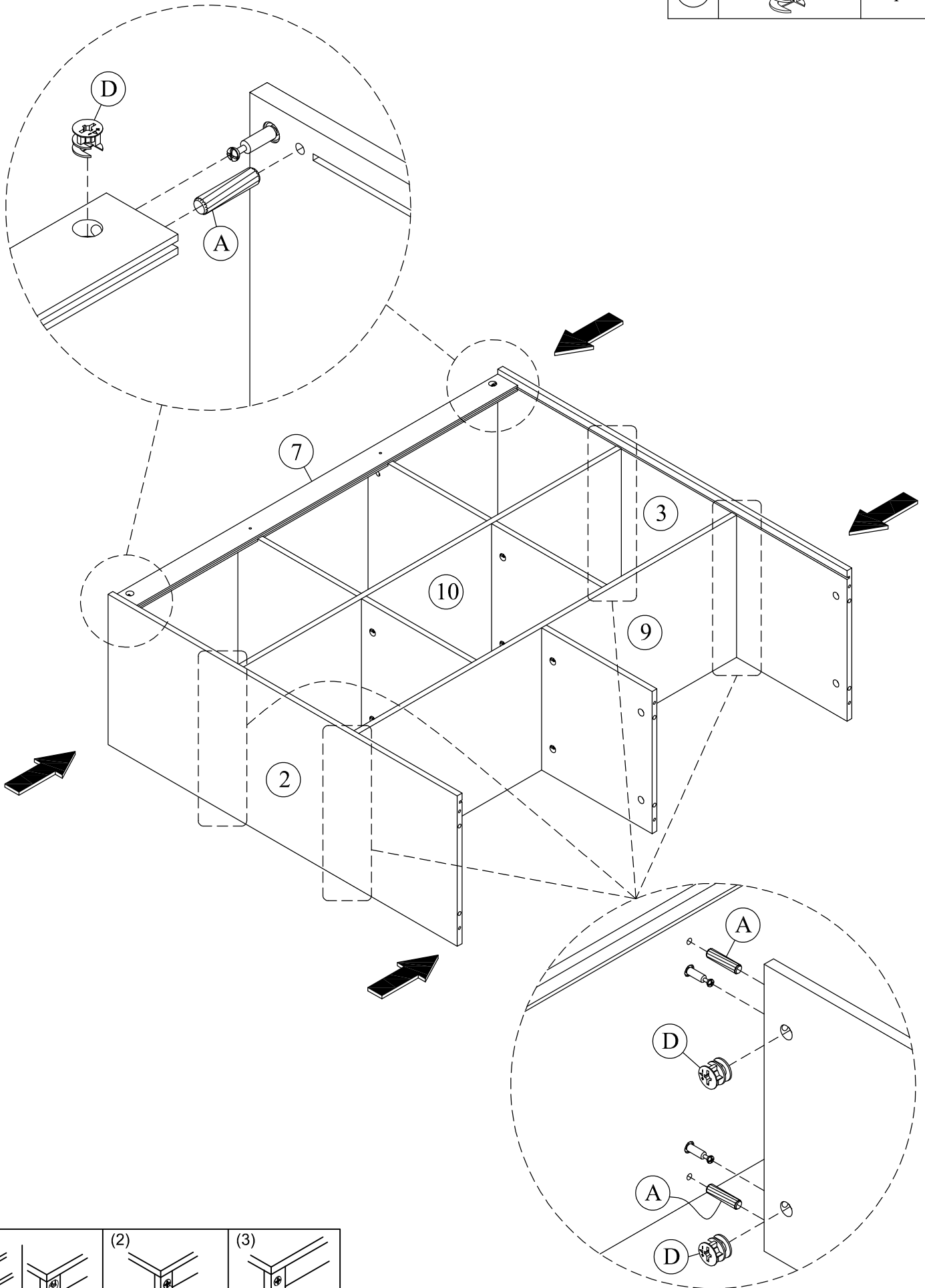


STEP 14:

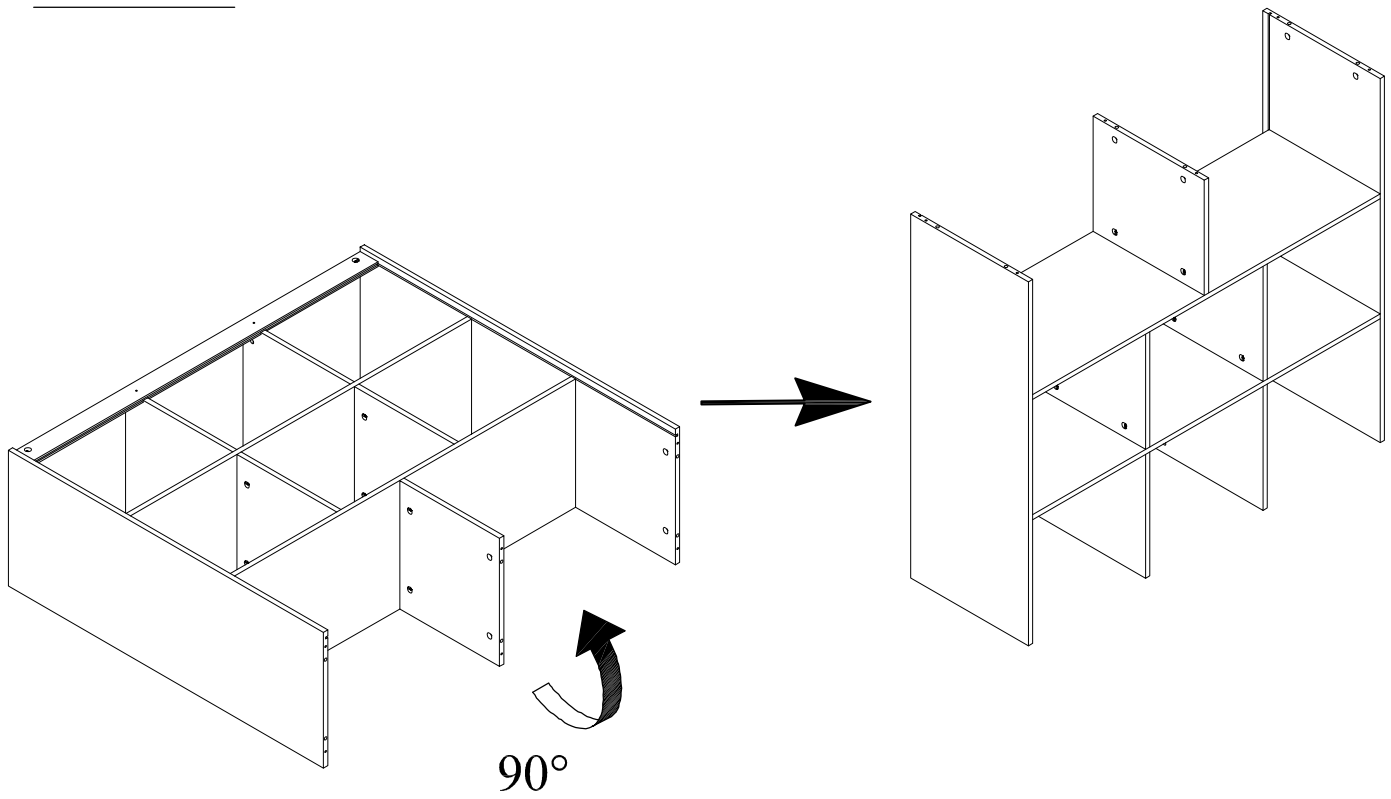


STEP 15:

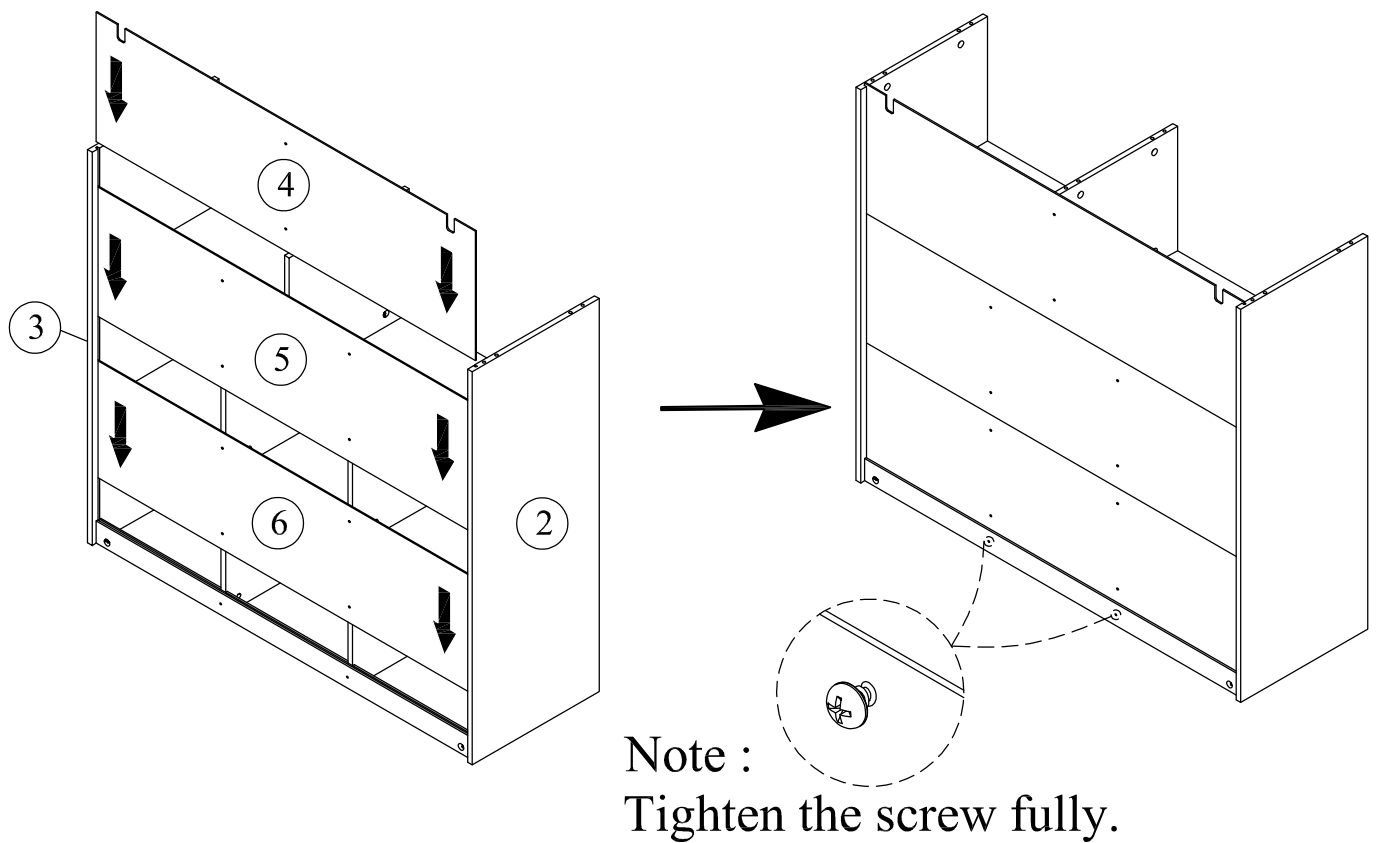
(A)	 Ø6*20mm	10pcs
(D)		10pcs




STEP 16:

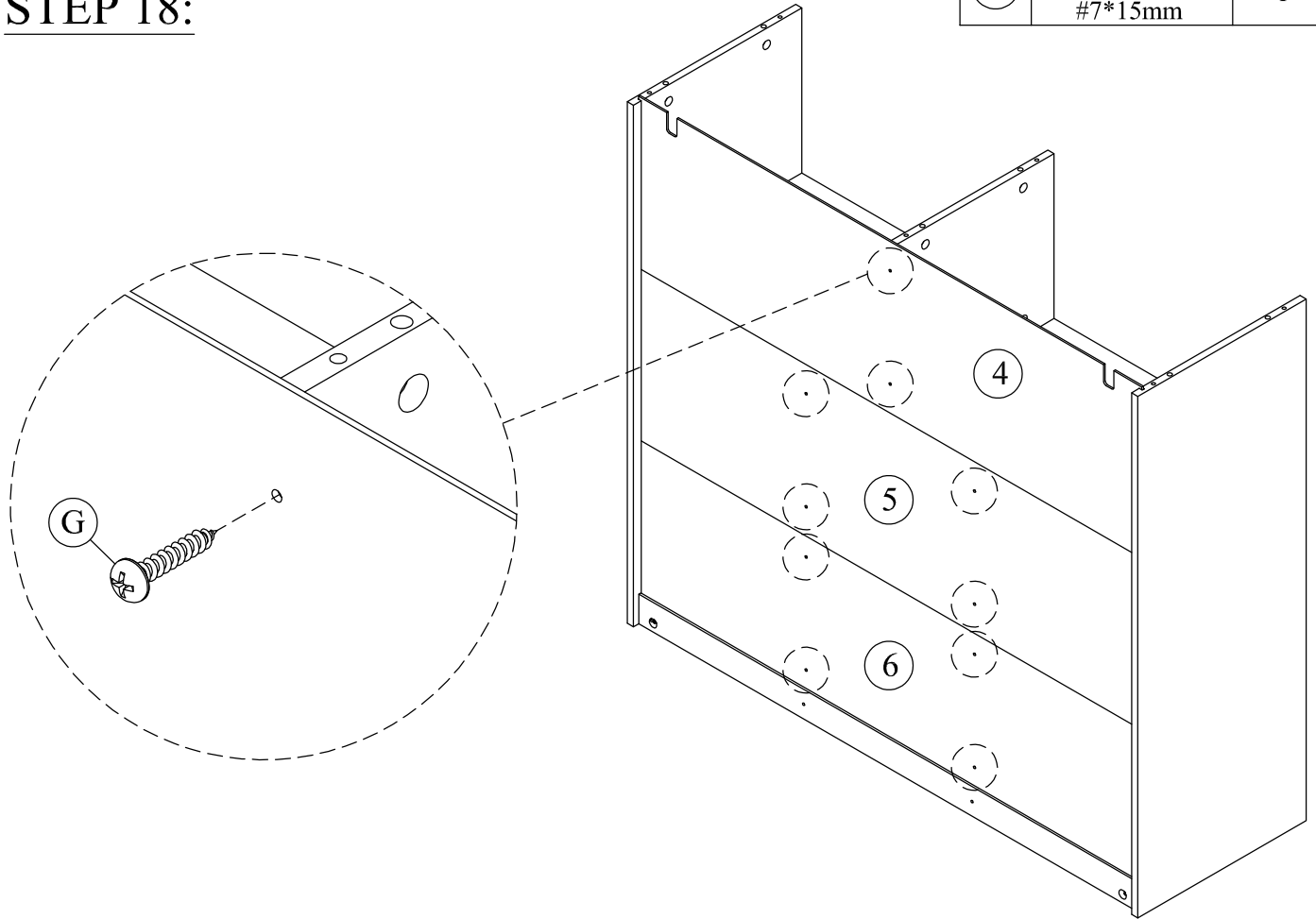


STEP 17:





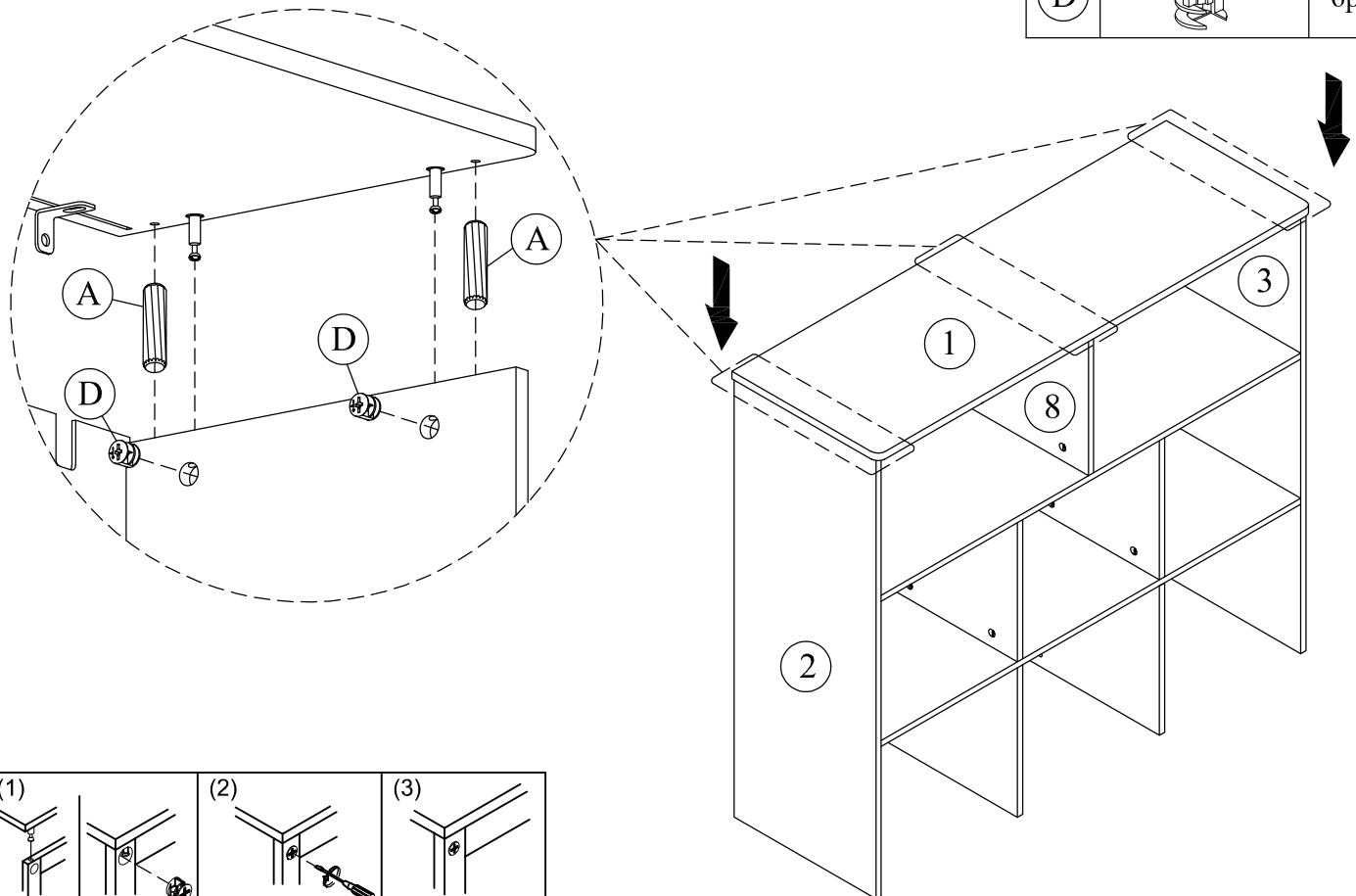
STEP 18:

G	 #7*15mm	10pcs
---	---	-------

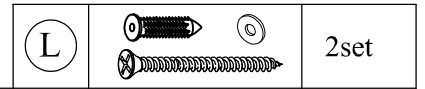
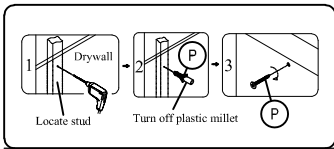
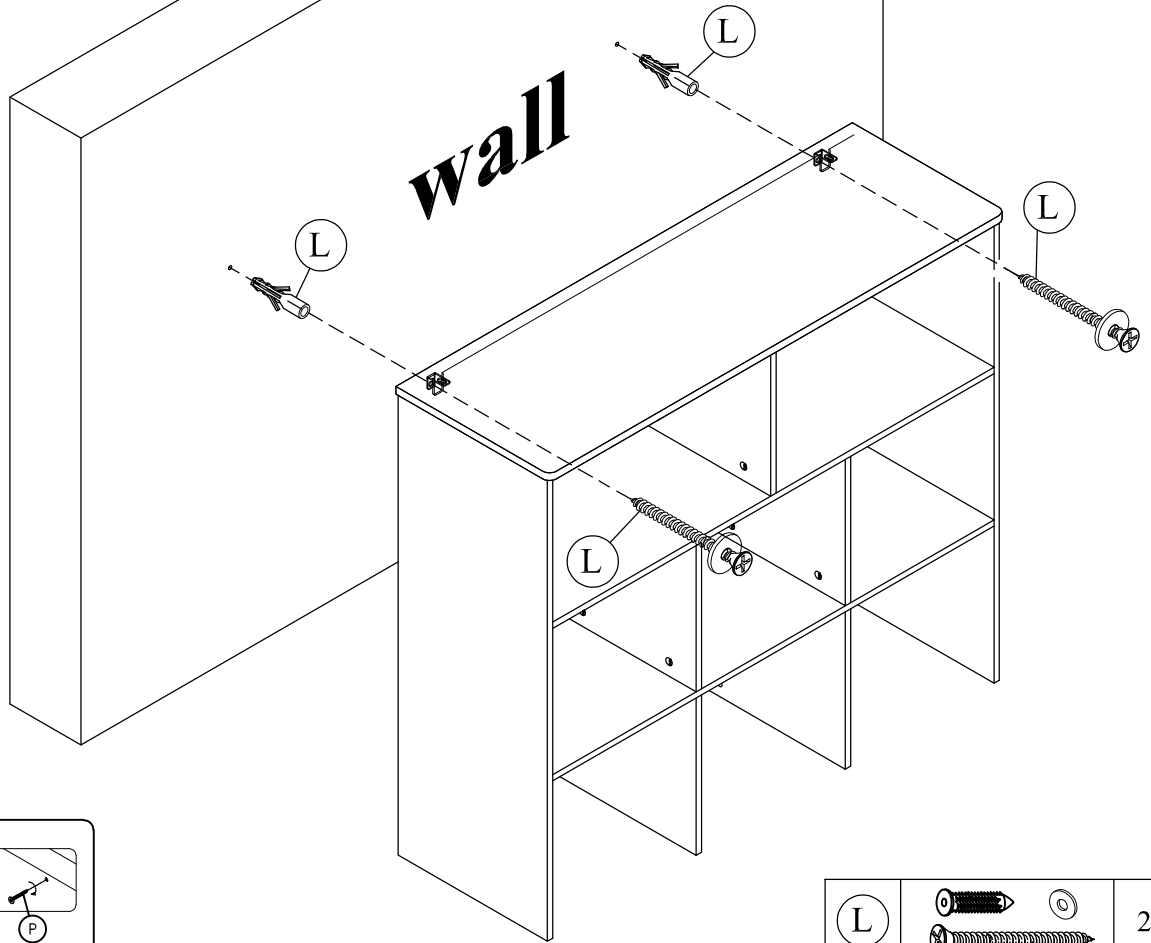


STEP 19:

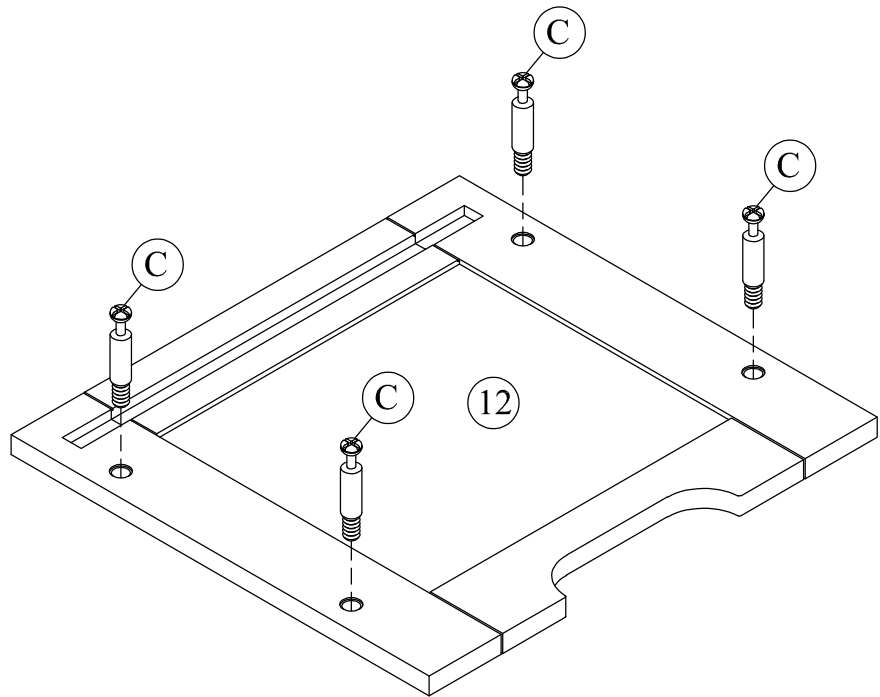
A	 Ø6*20mm	6pcs
D		6pcs



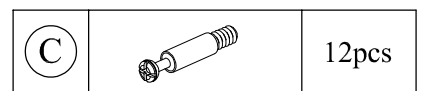
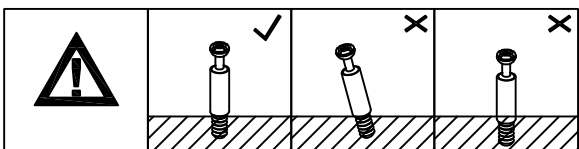
STEP 20:



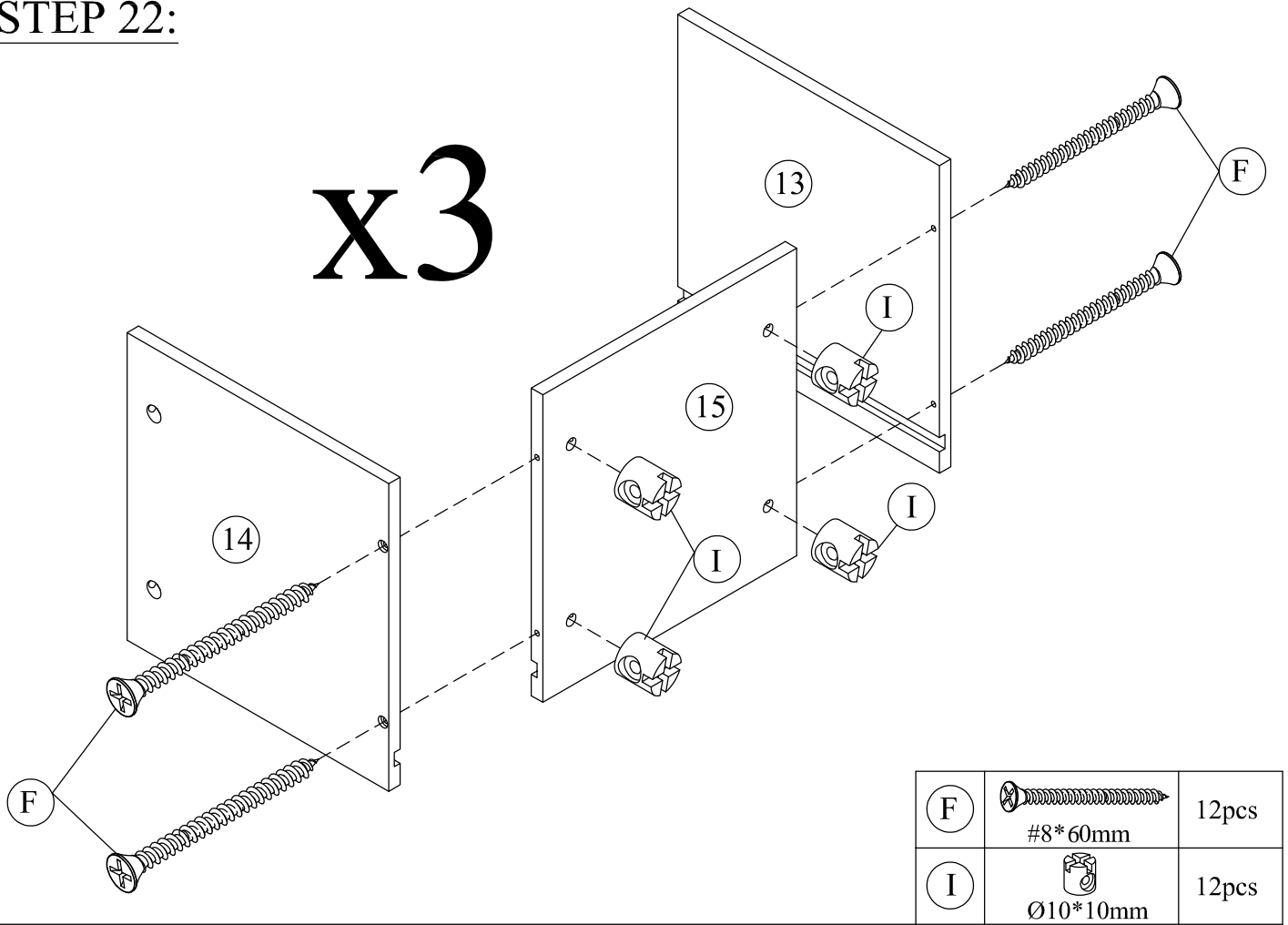
STEP 21:



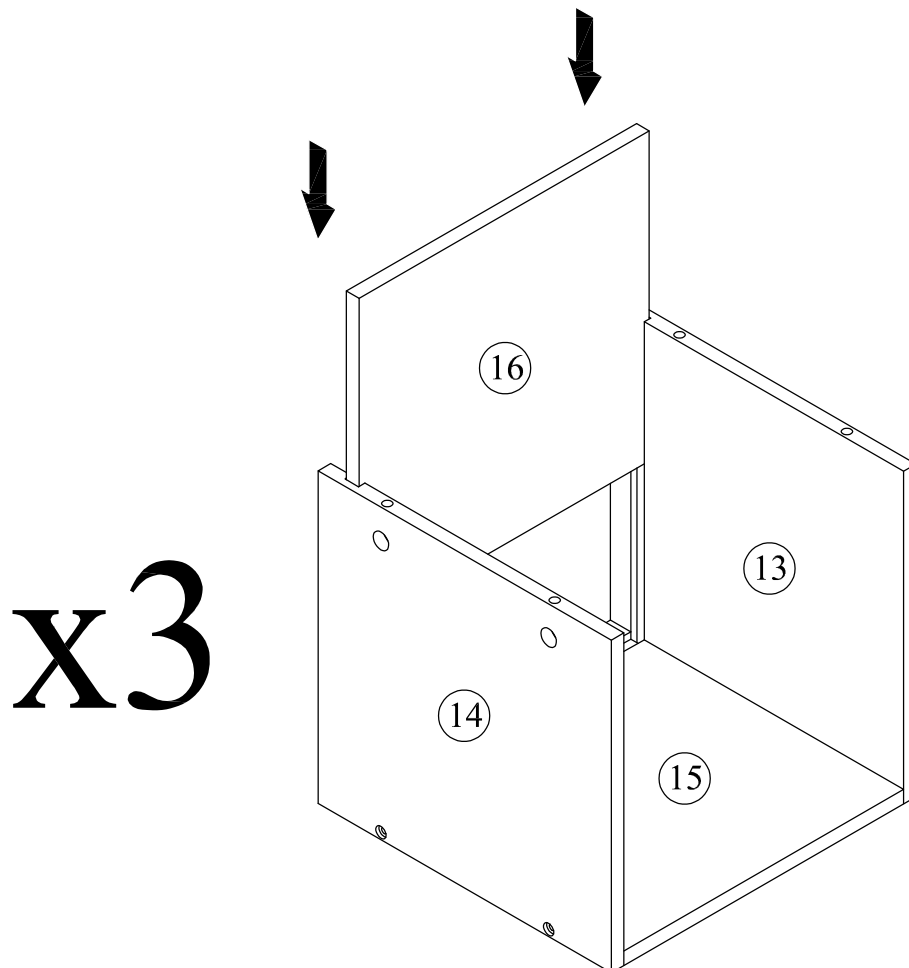
x3



STEP 22:

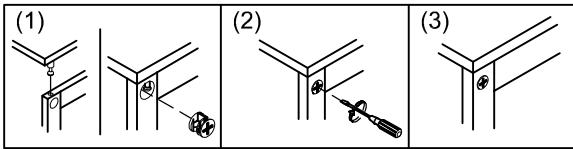
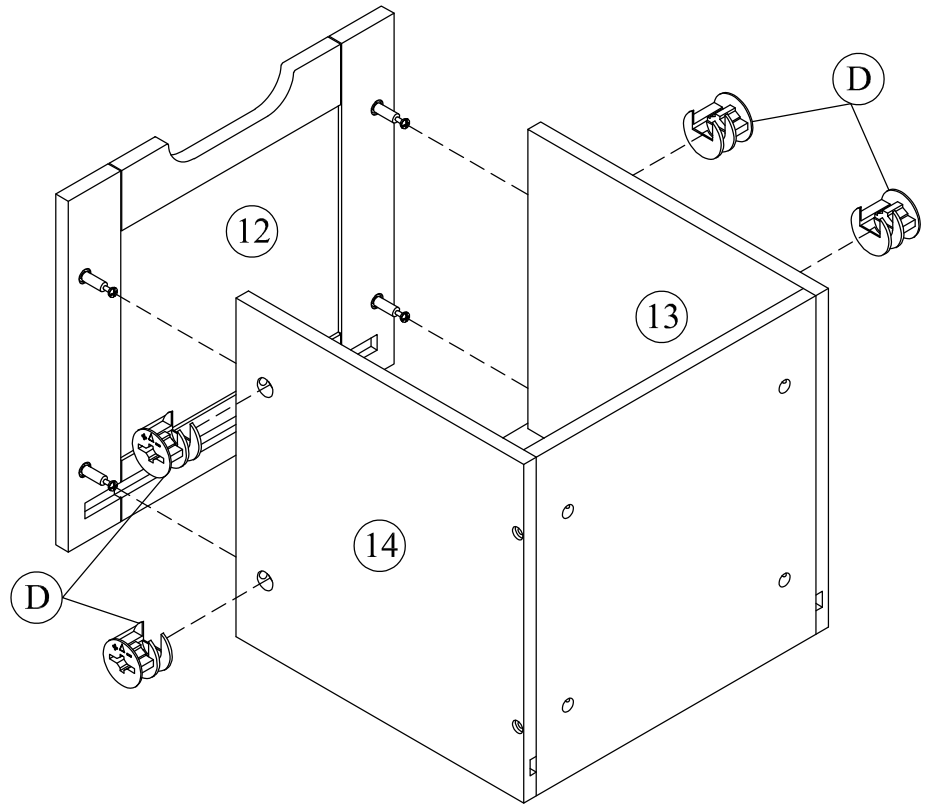


STEP 23:



STEP 24:

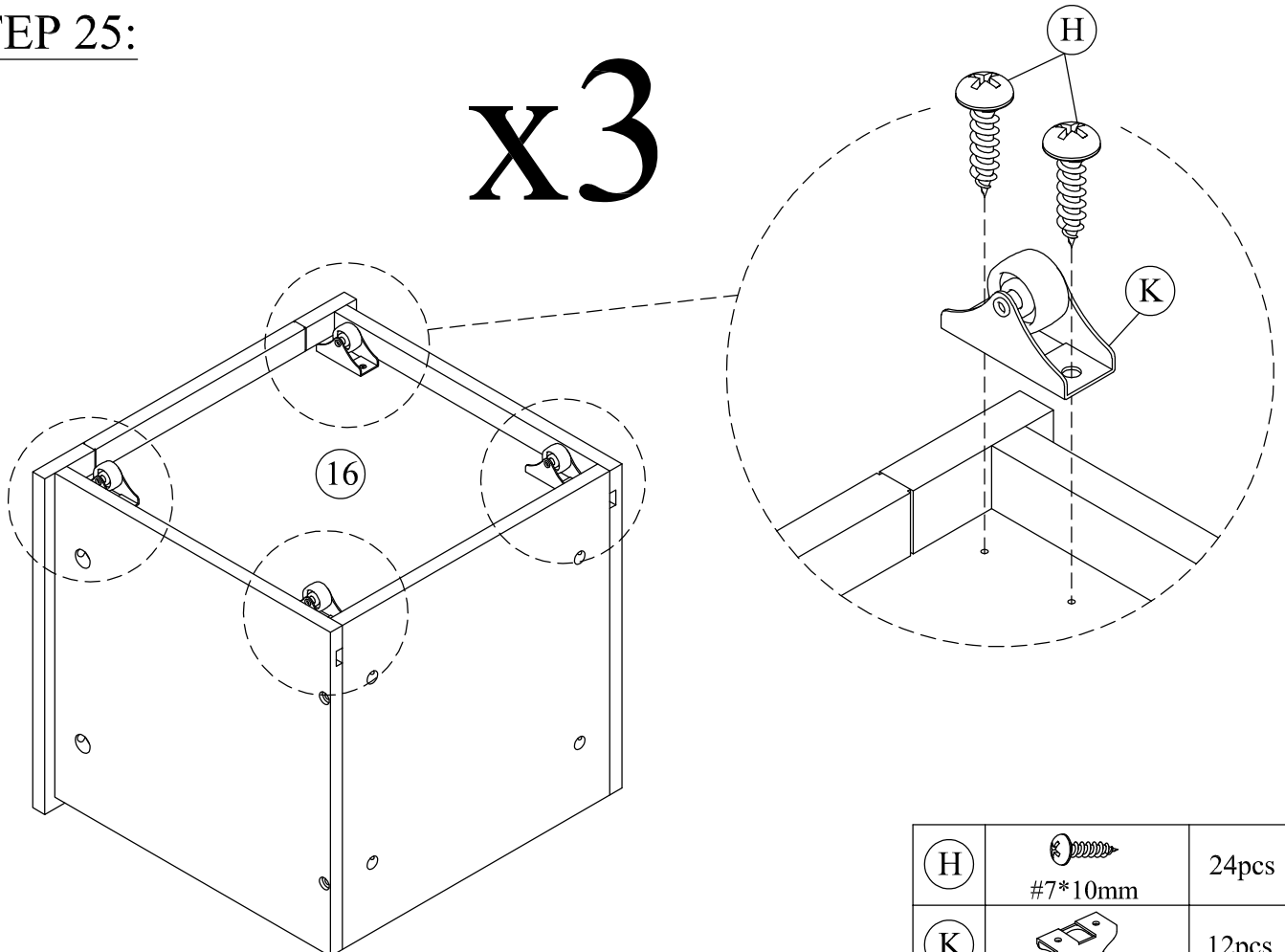
x3



D		12pcs
---	--	-------

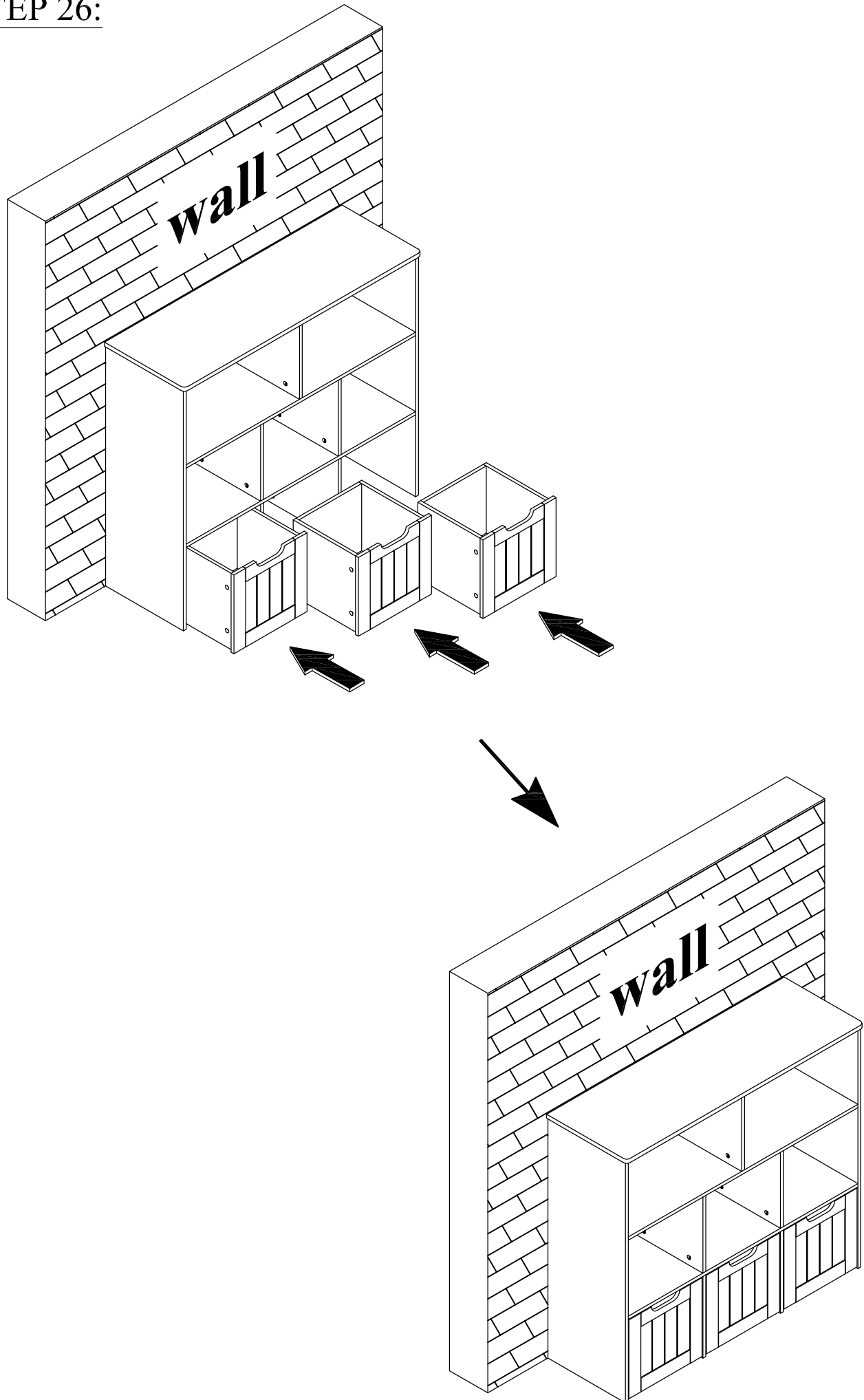
STEP 25:

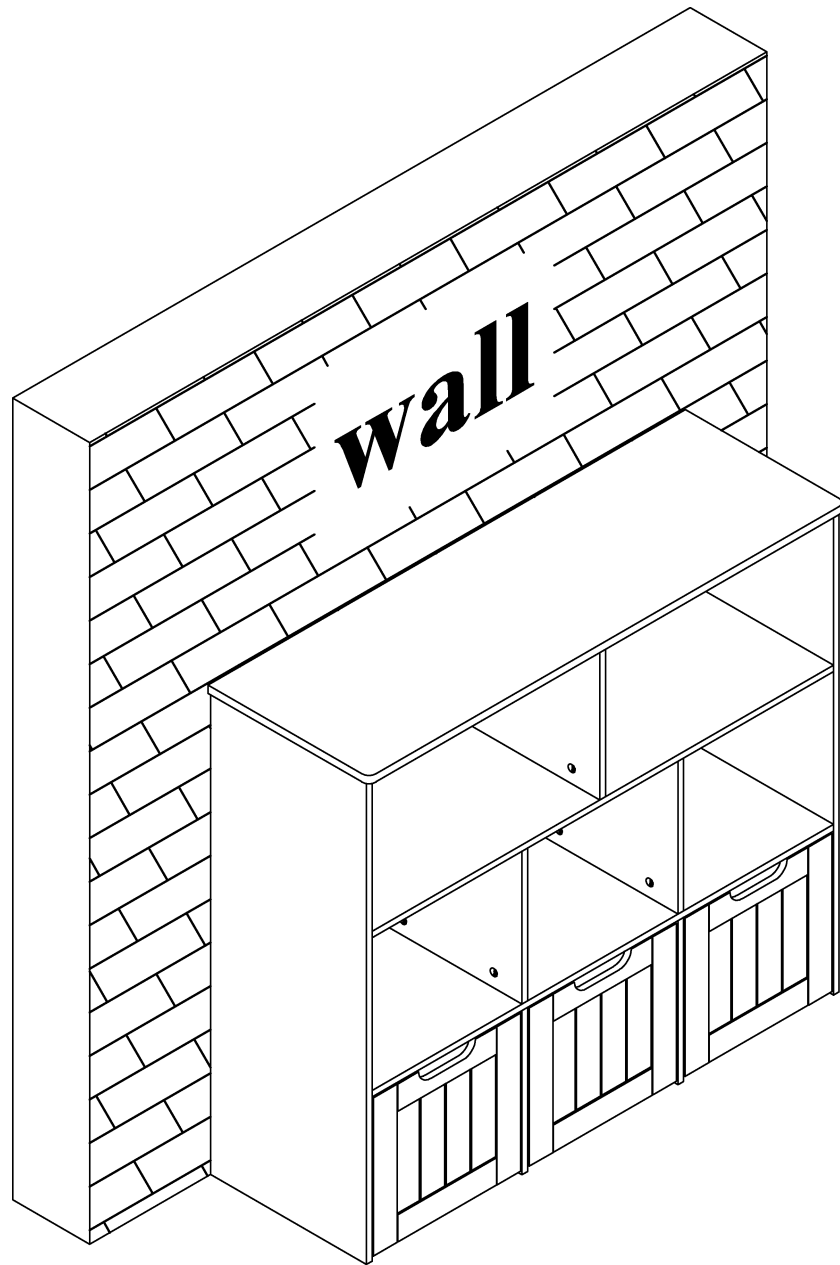
x3



H	 #7*10mm	24pcs
K		12pcs

STEP 26:





Thank you for choosing this product. We strive to provide you with the best quality products and service in the industry. Should you have any issues, please don't hesitate to contact us.