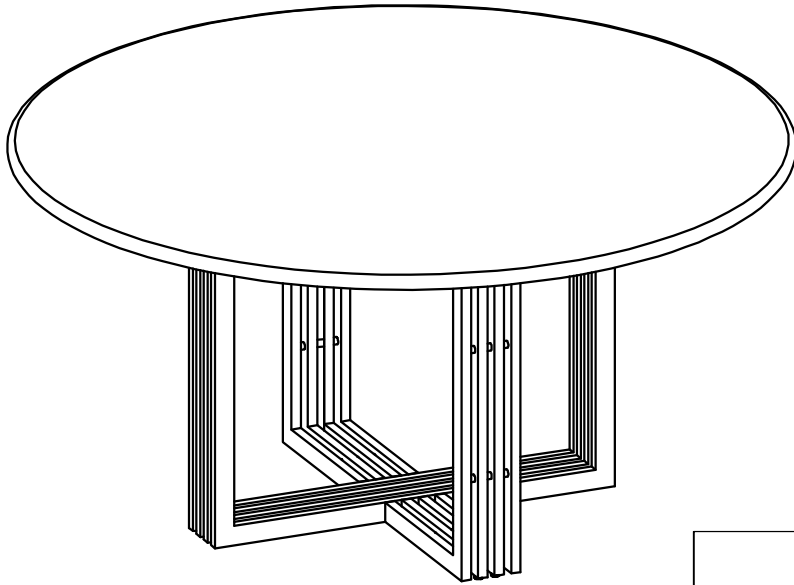


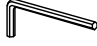


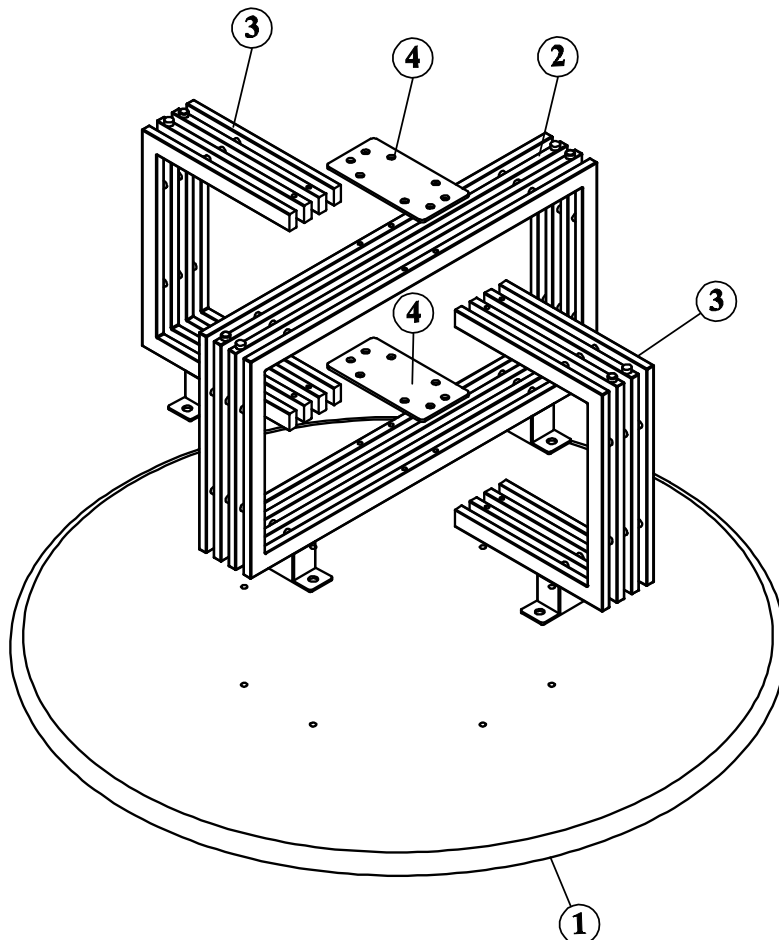
ASSEMBLY INSTRUCTION

ROUND DINING TABLE

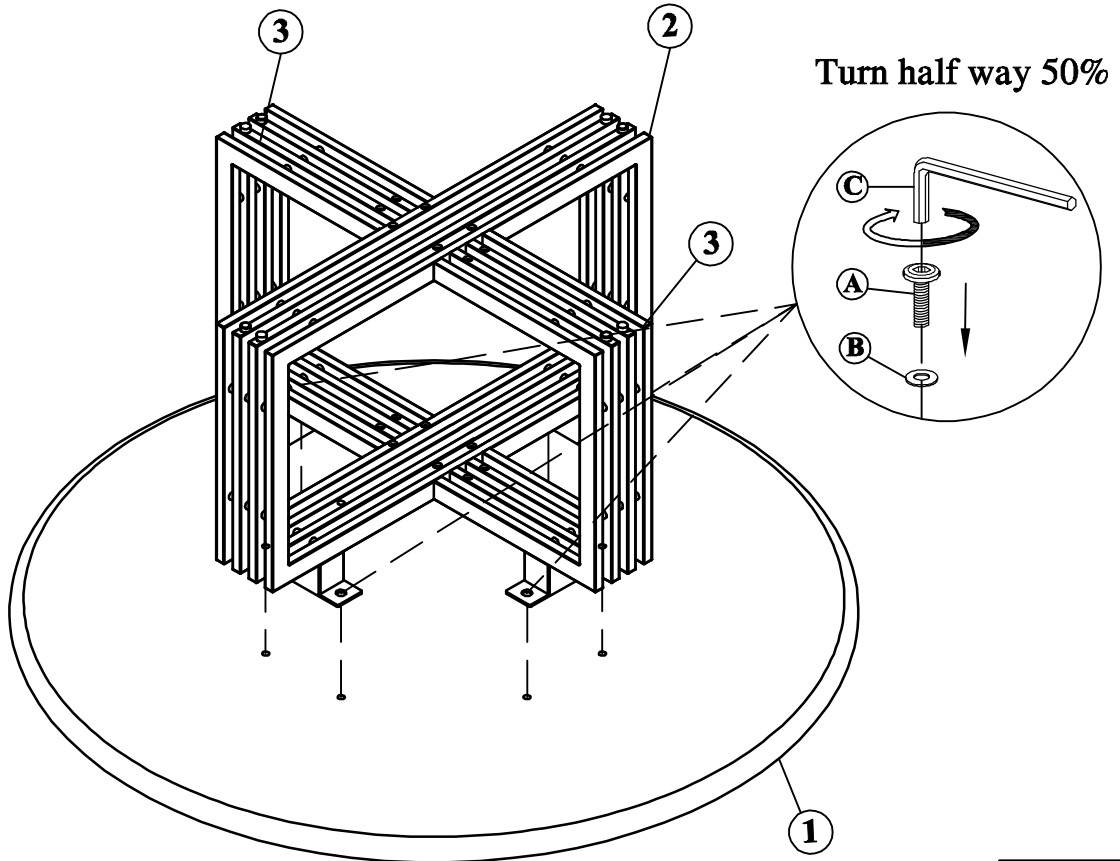


Hardware List





A		Bolt	M8 x 20mm	24
B		Flat Washer	Ø19 x H2mm	24
C		Allen Key	M4 x 59mm	1



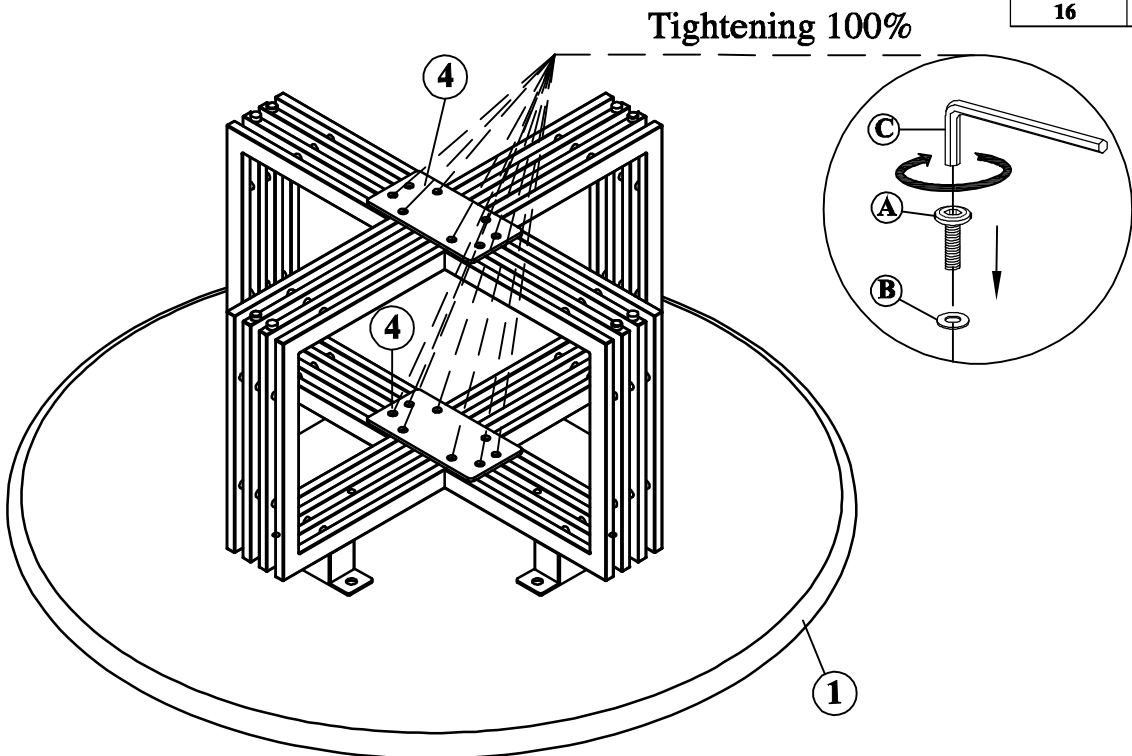
1



Loosely install the 8 bolts to ensure the bolt holes line up

A		B	
	8		8
A		B	
	16		16

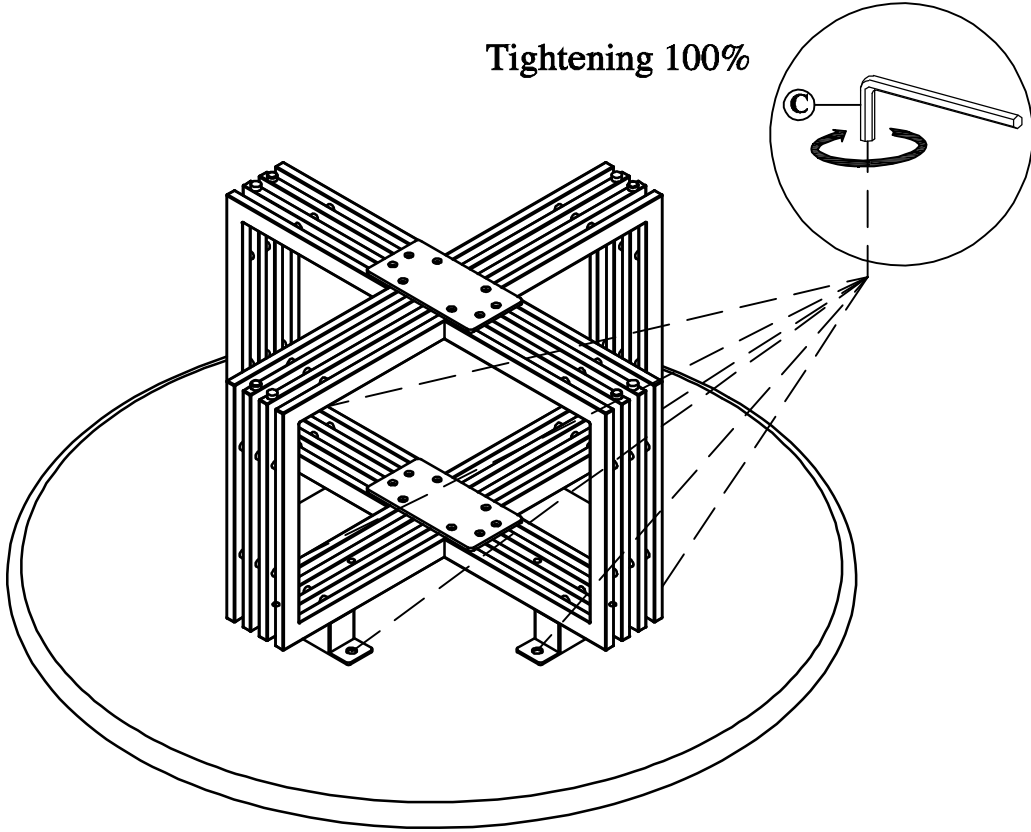
2



Tighten the bolts to fully secure the metal plate to the metal leg

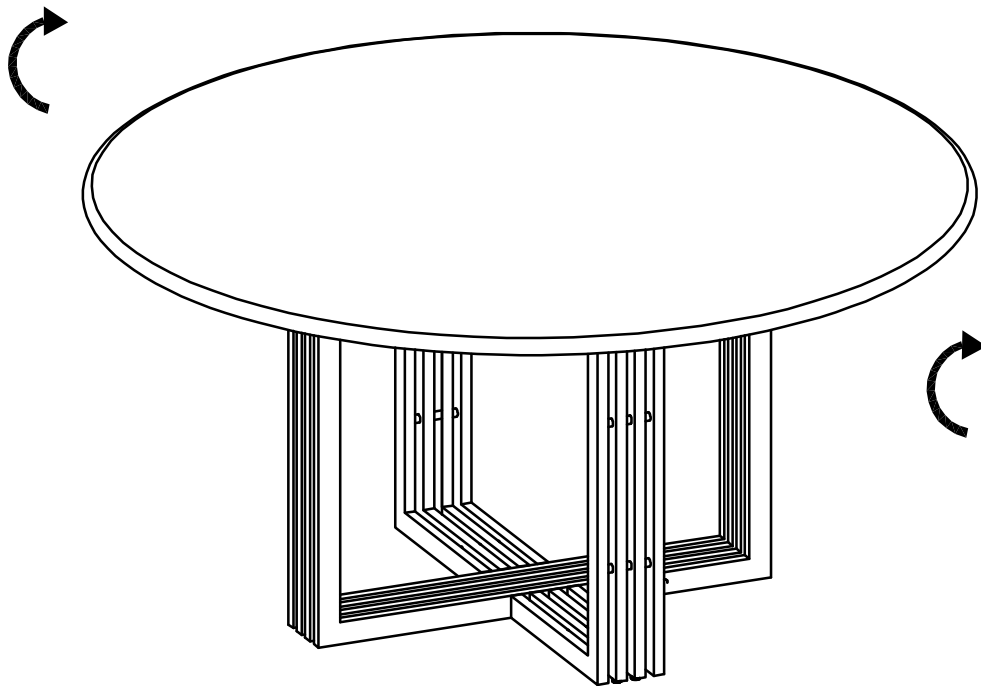
3

Tightening 100%



Tighten the bolts to fully secure the table top to the metal leg

4



Adjusting Floor Levelers

Your furniture has been expertly crafted and pre-adjusted by professionals. However, slight shifts can occur during transportation. If you notice that the doors are not perfectly aligned or the furniture wobbles, a quick adjustment can help ensure stability and a seamless look.

Adjust the Floor Levelers

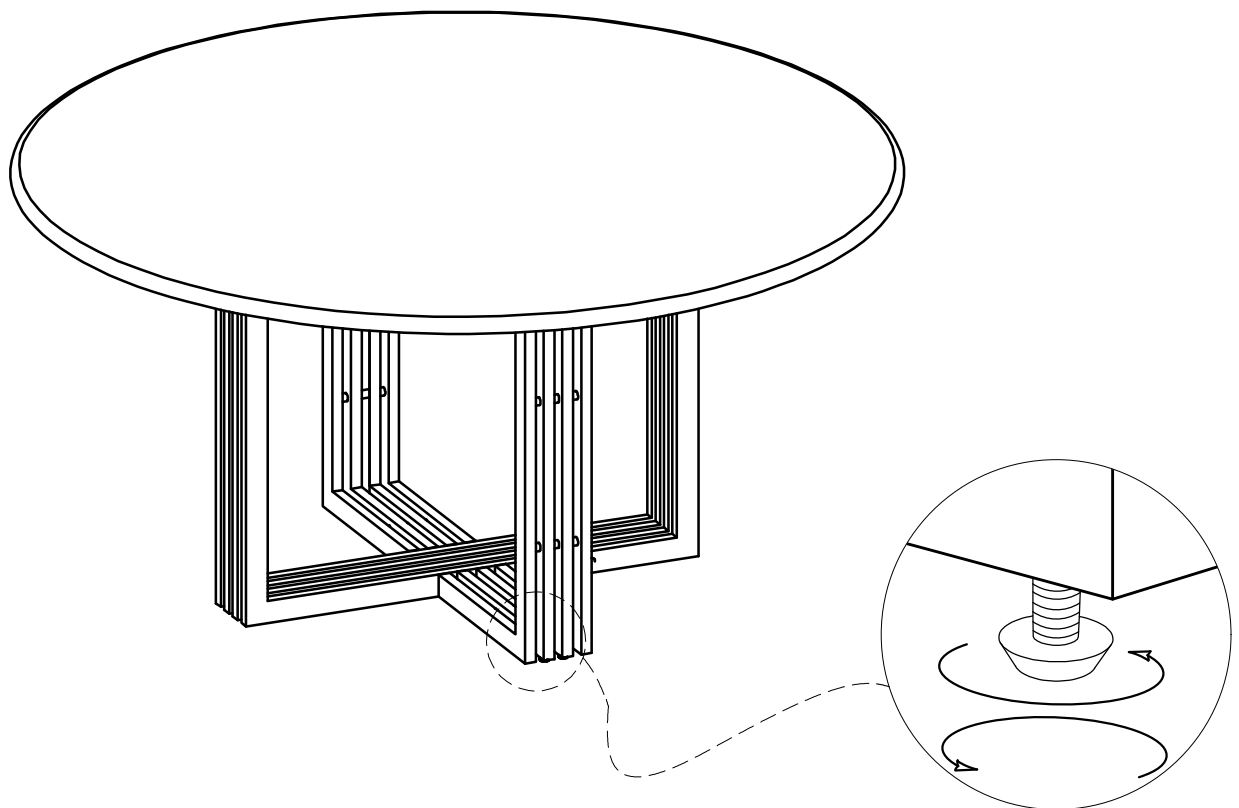
Check for Stability – Place the furniture in its final position on a level surface. If it wobbles or doesn't sit evenly, the floor levelers need adjusting.

Locate the Levelers – These are small adjustable feet found at the bottom corners of your furniture.

Adjust as Needed – Using your hand or a wrench, turn the levelers clockwise to raise or counterclockwise to lower the furniture. Make small adjustments and check stability after each turn.

Adjust text and/ or insert drawings here : Feel free to modify the text or include any drawings that best illustrate the instructions.

Examples



If you need further adjustments , repeat the process in small increments