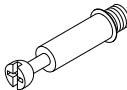



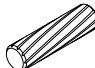
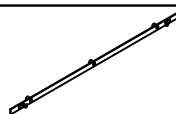

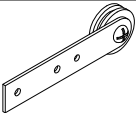



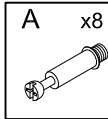
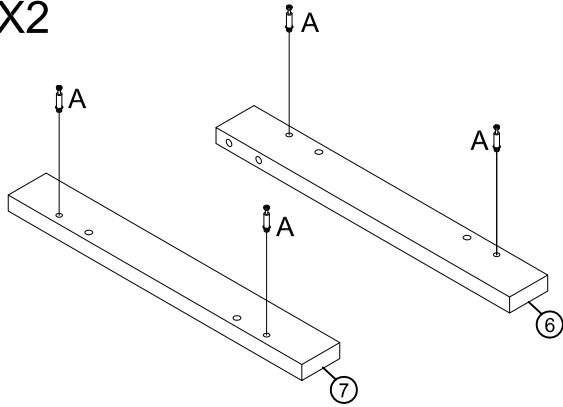
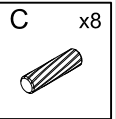
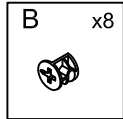
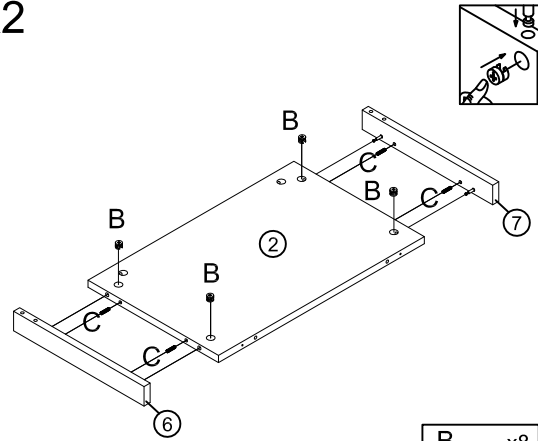


A	 $\Phi 6 \times 35$	34PCS	G		2PCS
B	 $\Phi 15 \times 10$	34PCS	H	 $\Phi 6 \times 40$	6PCS
C	 $\Phi 8 \times 30$	40PCS	I		2PCS
D	 $\Phi 4 \times 35$	6PCS	J		4PCS
E	 $\Phi 4 \times 10$	4PCS	K	 $\phi 20$	8PCS
F	 $\Phi 4 \times 12$	8PCS			

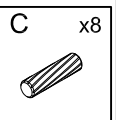
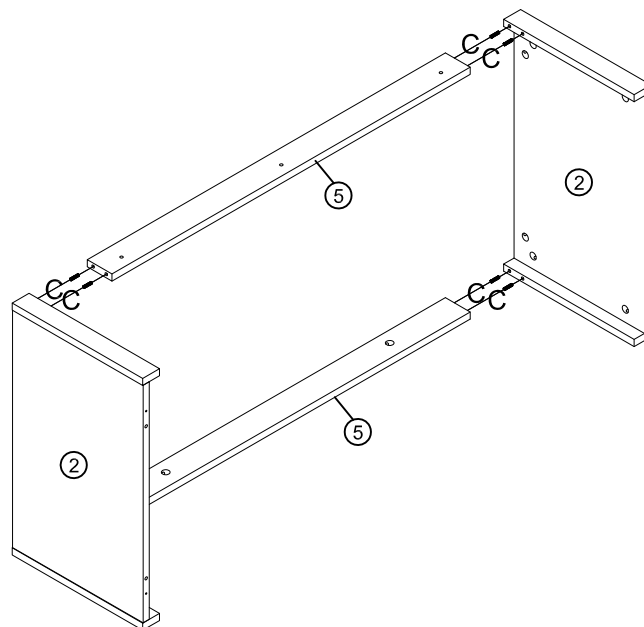
1 X2



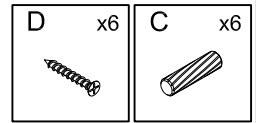
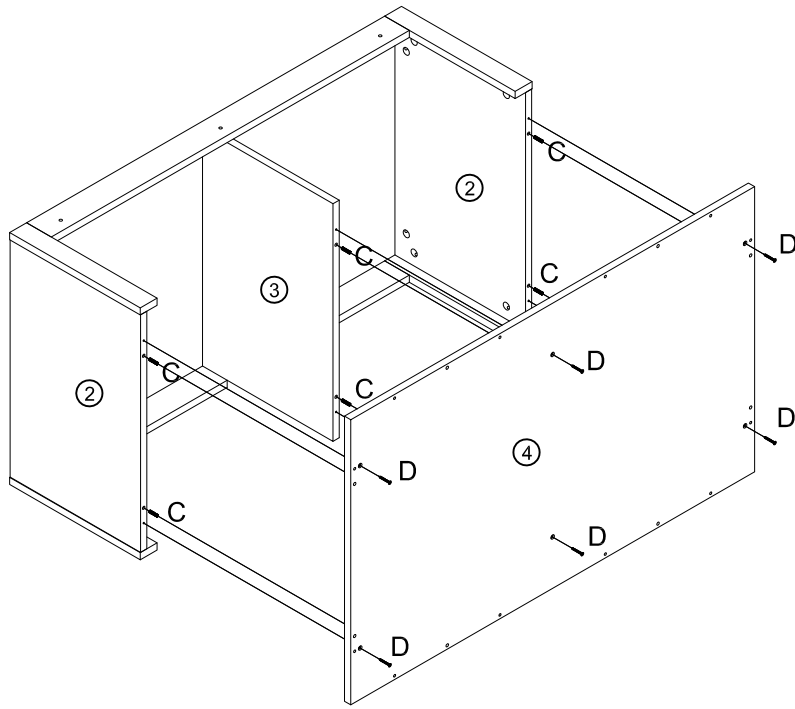
2 X2



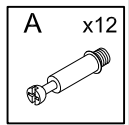
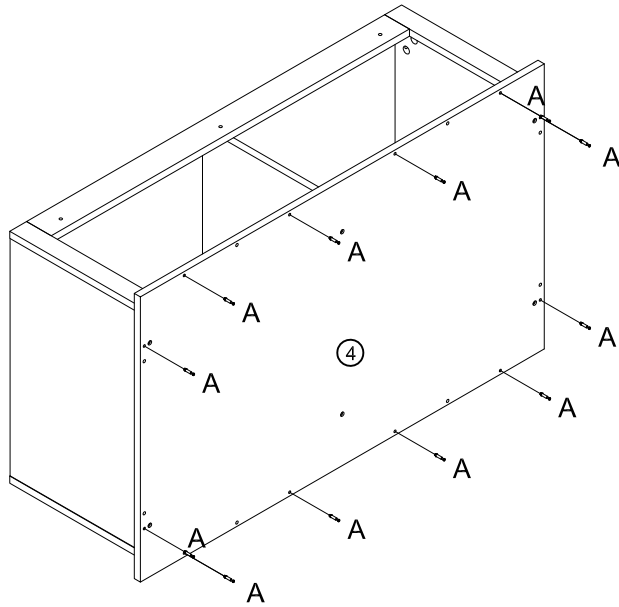
3



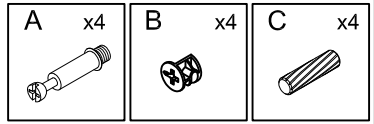
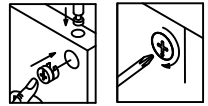
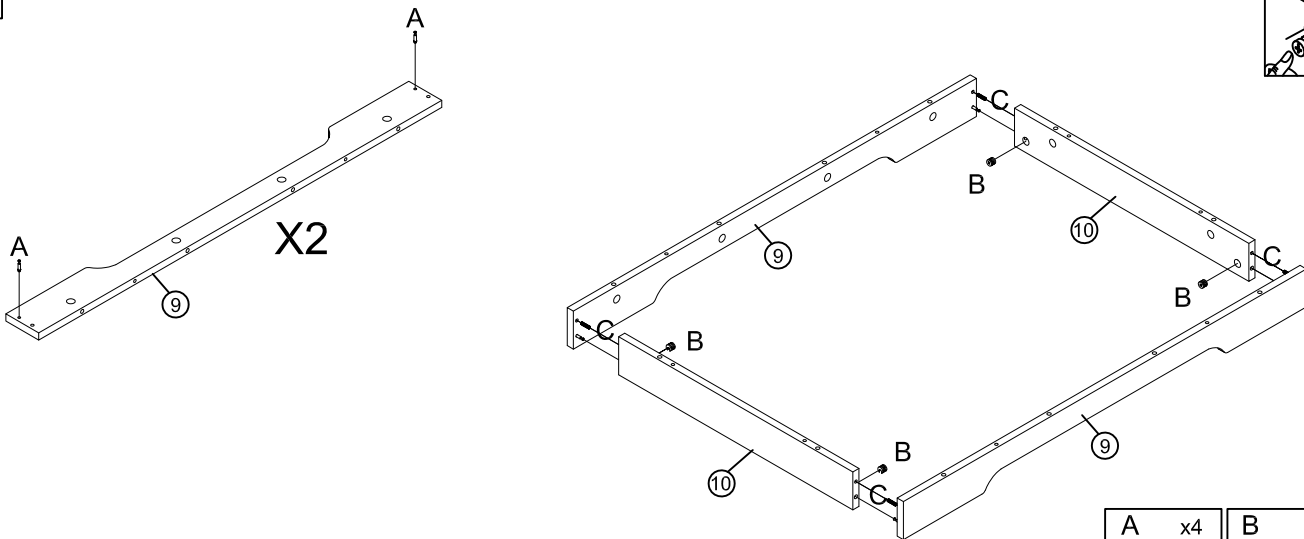
4



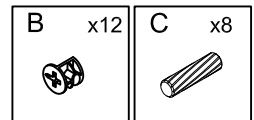
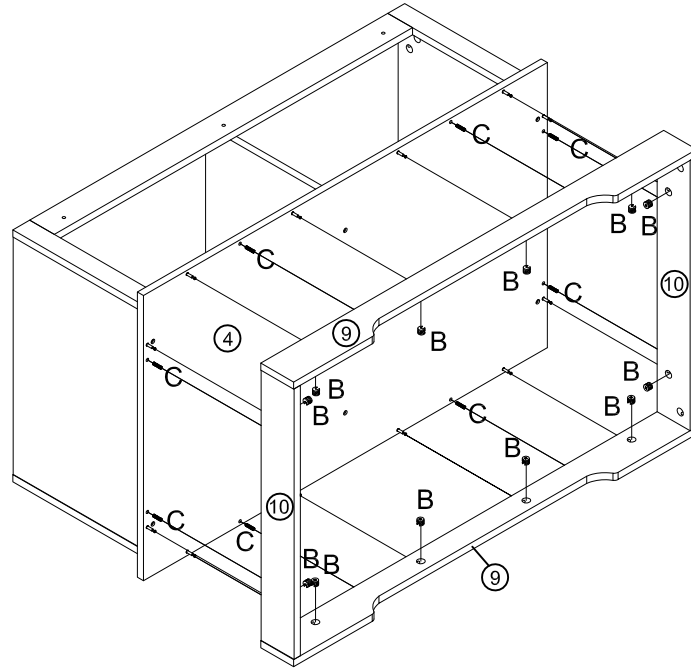
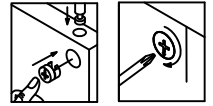
5



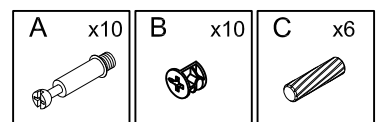
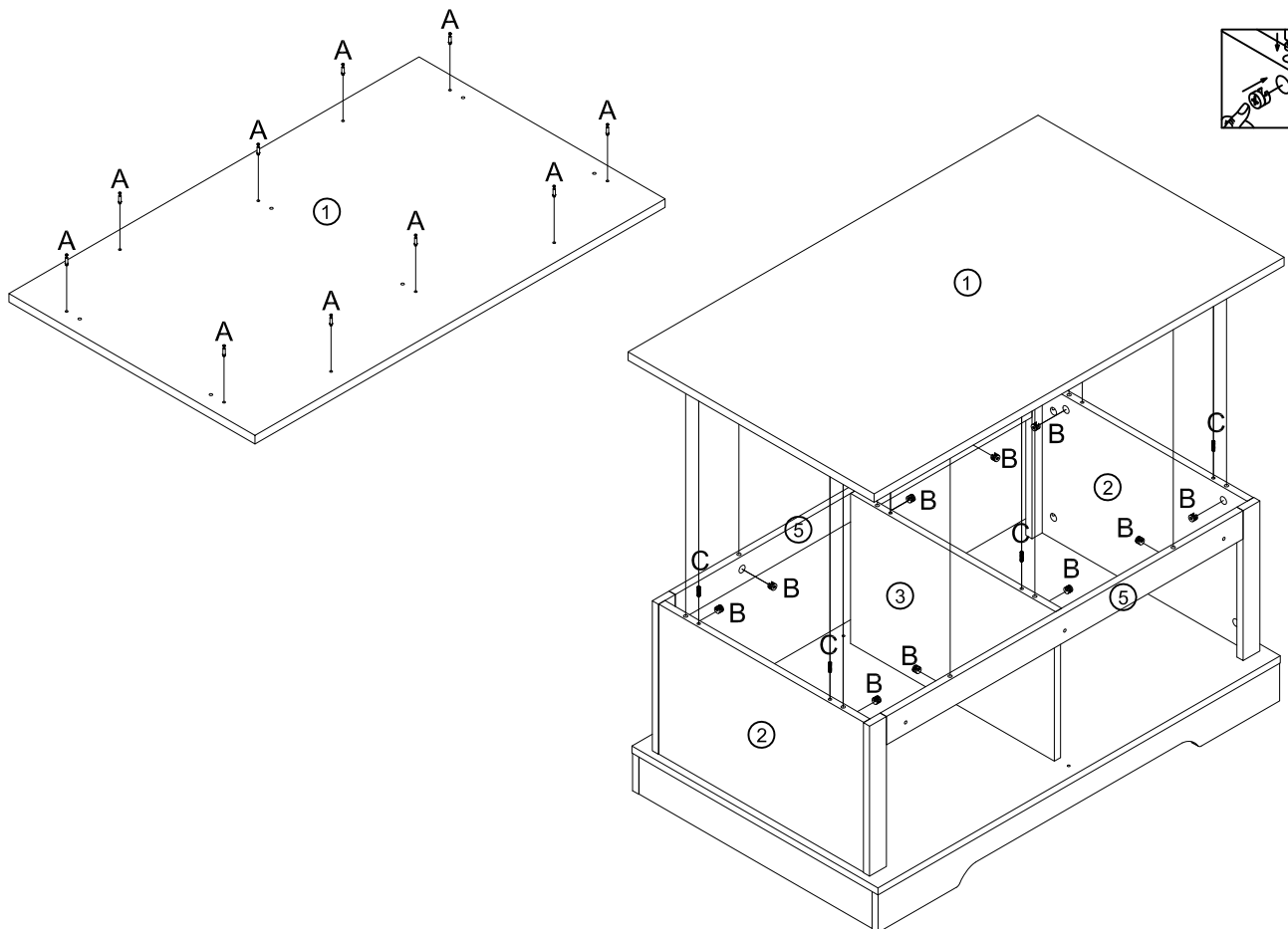
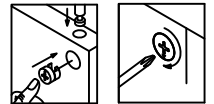
6



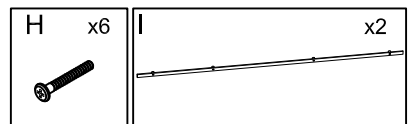
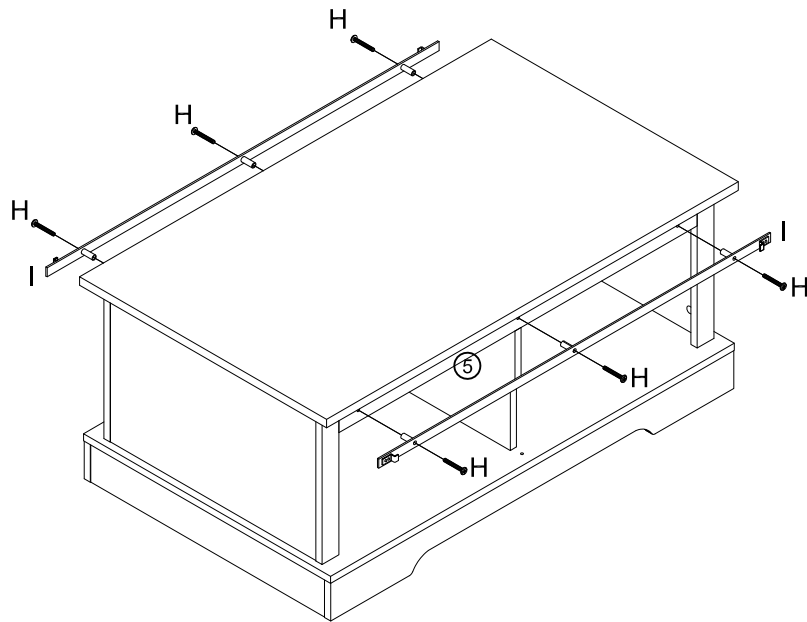
7



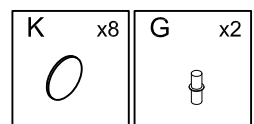
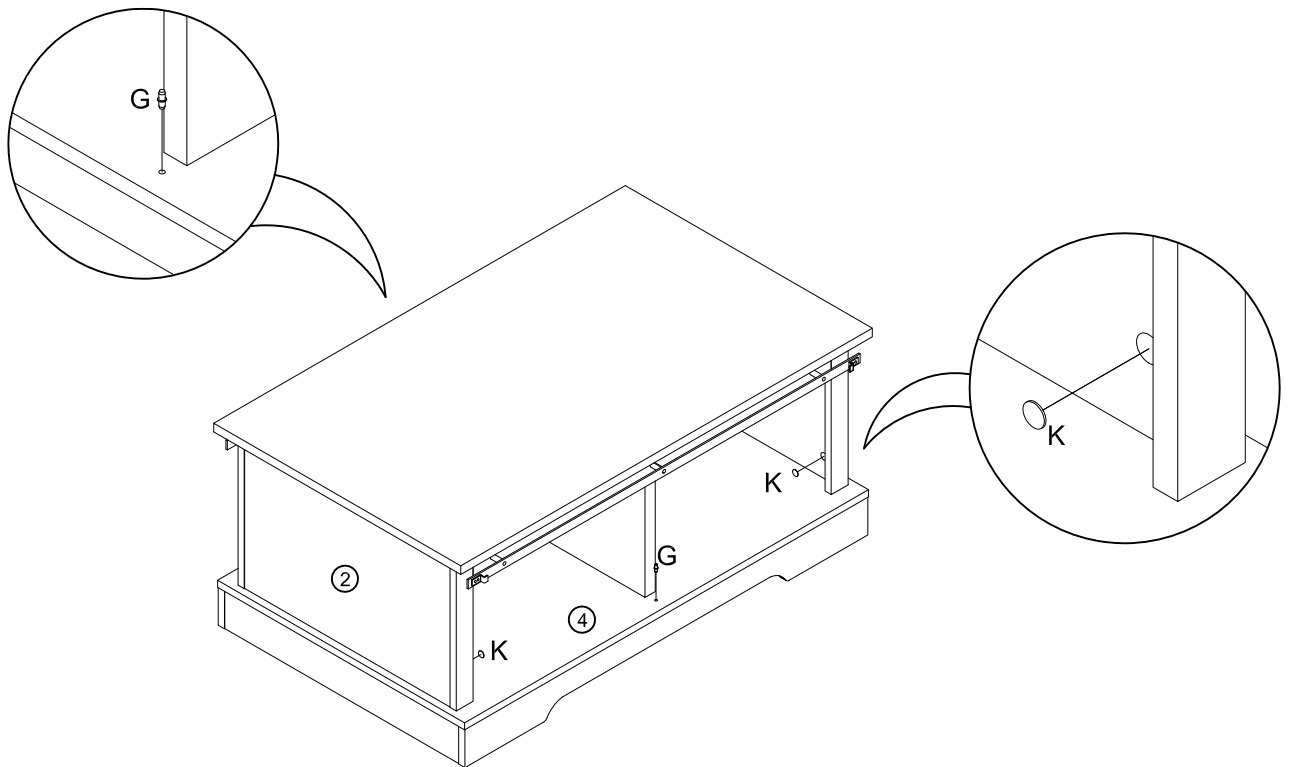
8



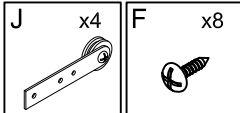
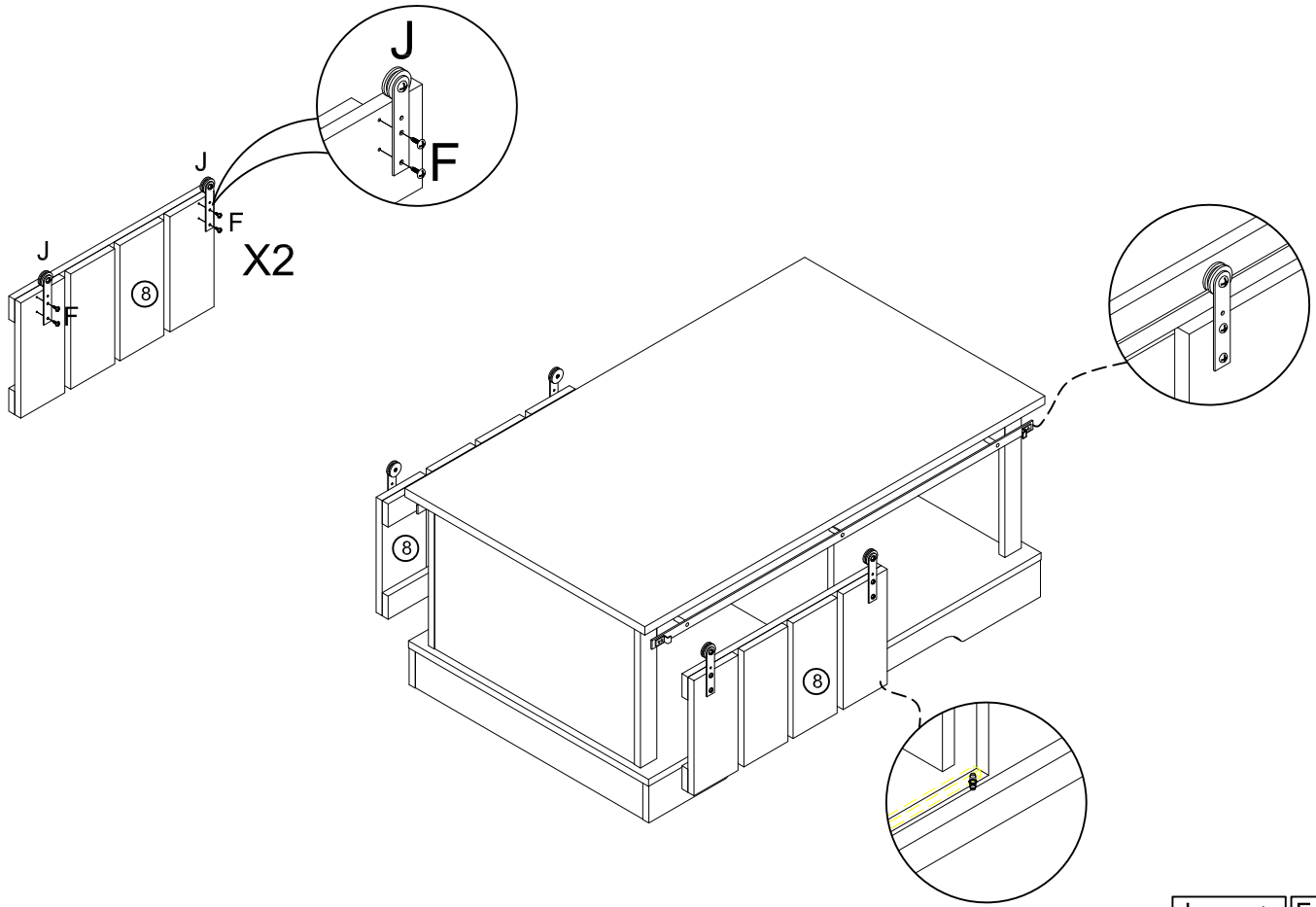
9



10



11



12

