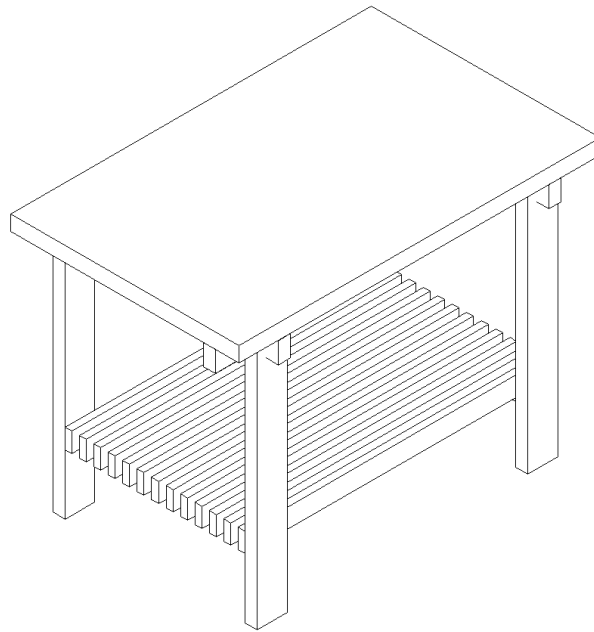


# **ASSEMBLY INSTRUCTIONS.**

AUGUST COUNTER TABLE SMALL

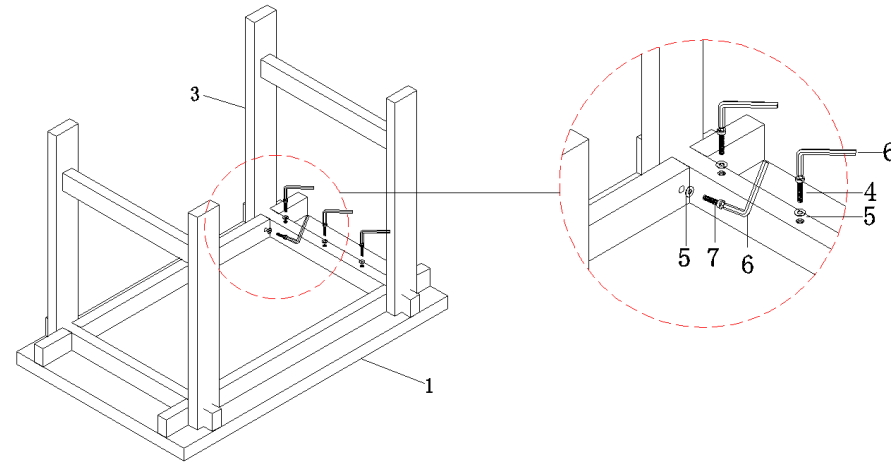


THANK YOU FOR YOUR PURCHASE!

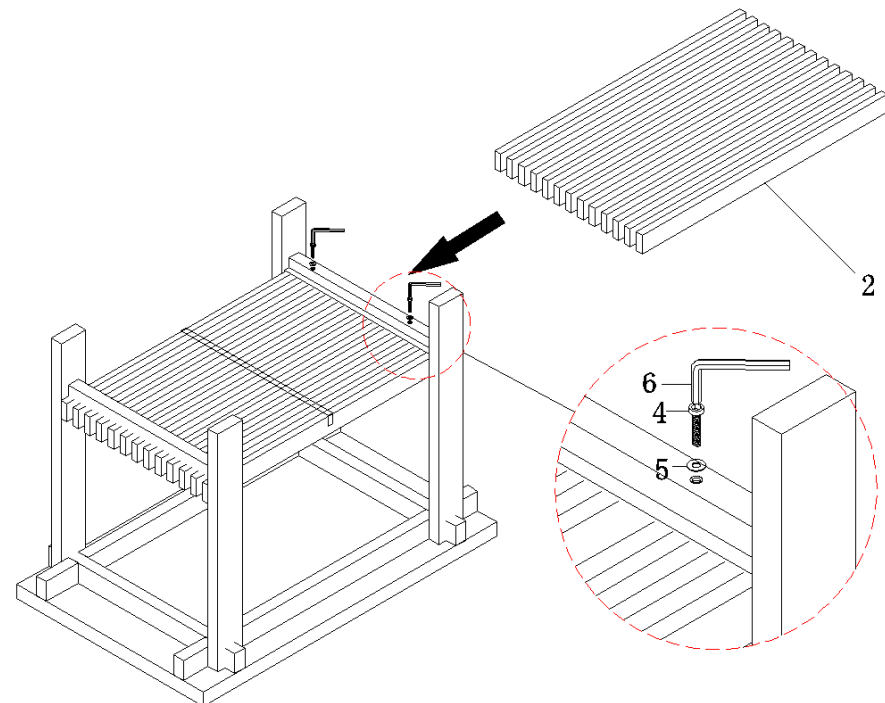
## PARTS AND HARDWARE.

NO.	DESCRIPTION	IMAGE	Q'TY
①	BODY		1
②	SHELF		1
③	LEGS		2
④	BOLT M8x70		10
⑤	FLAT WASHER φ8-16		14
⑥	ALLEN KEY		1
⑦	BOLT M8x60		4

## STEP 1.



## STEP 2.



## NOTES.

Thank you for purchasing this quality product! Be sure to check all packing material carefully for small part that may have come loose inside the carton during shipping.

**Caution:** The item is heavy, assembly should be performed by two people.