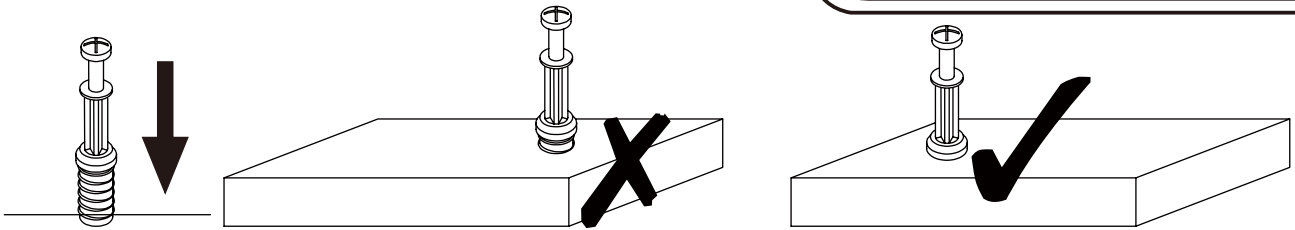
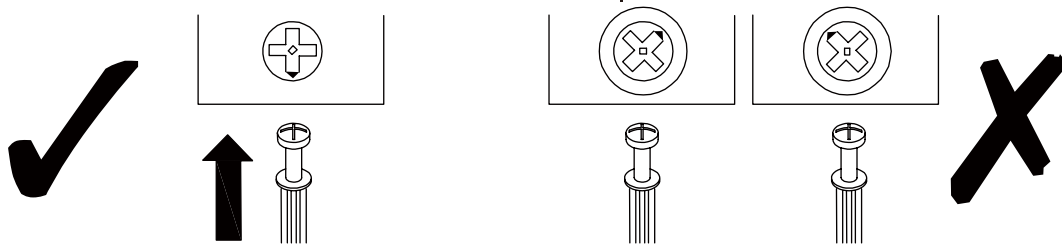


EN_IMPORTANT, RETAIN FOR FUTURE REFERENCE: READ CAREFULLY.

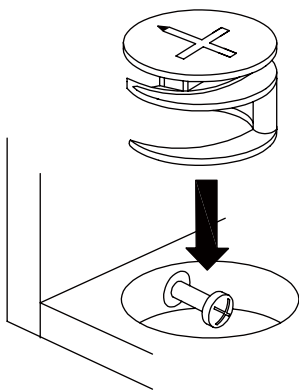
USING CAM LOCK AND QUICKFIT



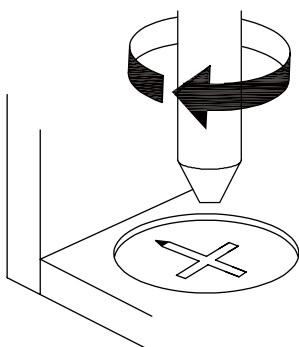
EN_QUICKFIT: Tighten quickfit until shoulder is flush with panel. Do not overtighten or undertighten.



EN_CAM LOCK: When fitting cam lock, ensure starting position is correct before you insert connecting quickfit.

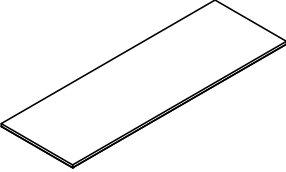
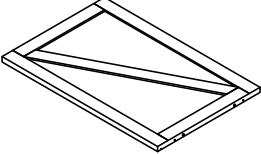
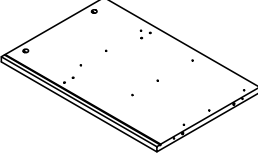
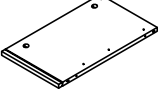
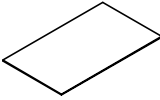
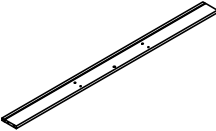
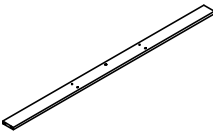
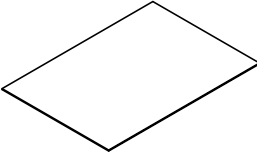
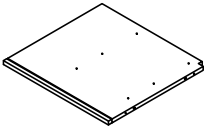
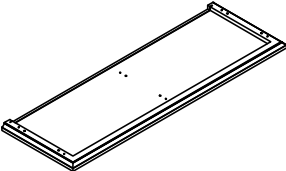


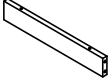
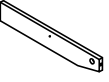
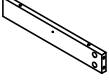
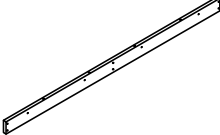
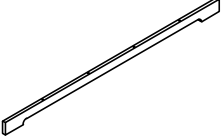
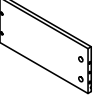
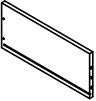
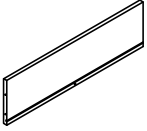
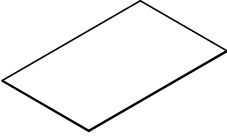
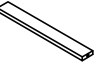
EN_Quickfit head should be in the centre of the cam lock when the two panels are joined.
Cam lock should be inserted before quickfit.

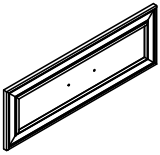
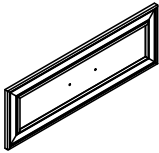
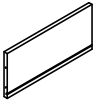
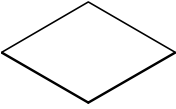
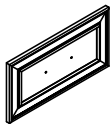
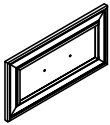
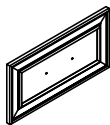



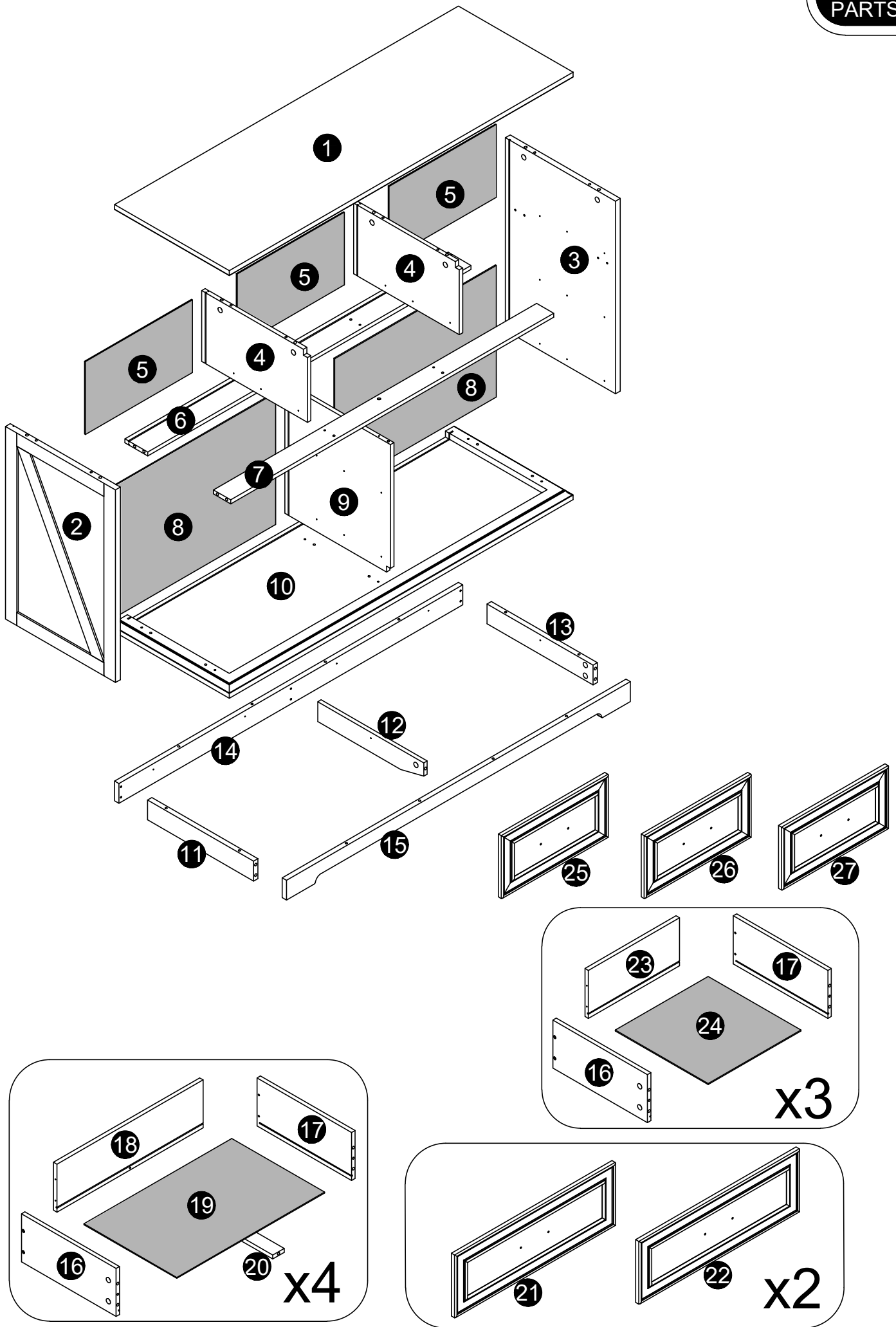
EN_Turn cam lock clockwise to tighten.

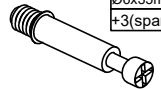

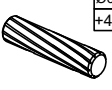
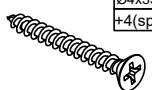
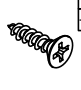
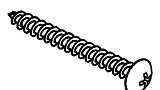

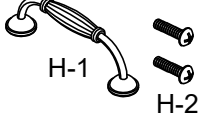
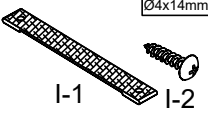
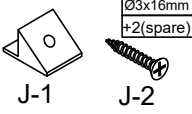
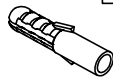

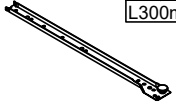
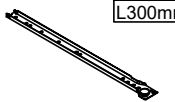
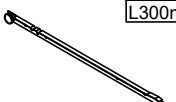
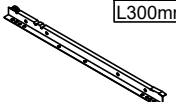
PACKING DELALS

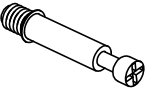

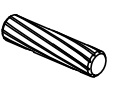
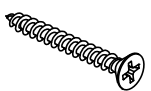
NO.	PARTS	QTY	SPARE
①		x1	
②		x1	
③		x1	
④		x2	
⑤		x3	
⑥		x1	
⑦		x1	
⑧		x2	
⑨		x1	
⑩		x1	

NO.	PARTS	QTY	SPARE
⑪		x1	
⑫		x1	
⑬		x1	
⑭		x1	
⑮		x1	
⑯		x7	
⑰		x7	
⑱		x4	
⑲		x4	
⑳		x4	

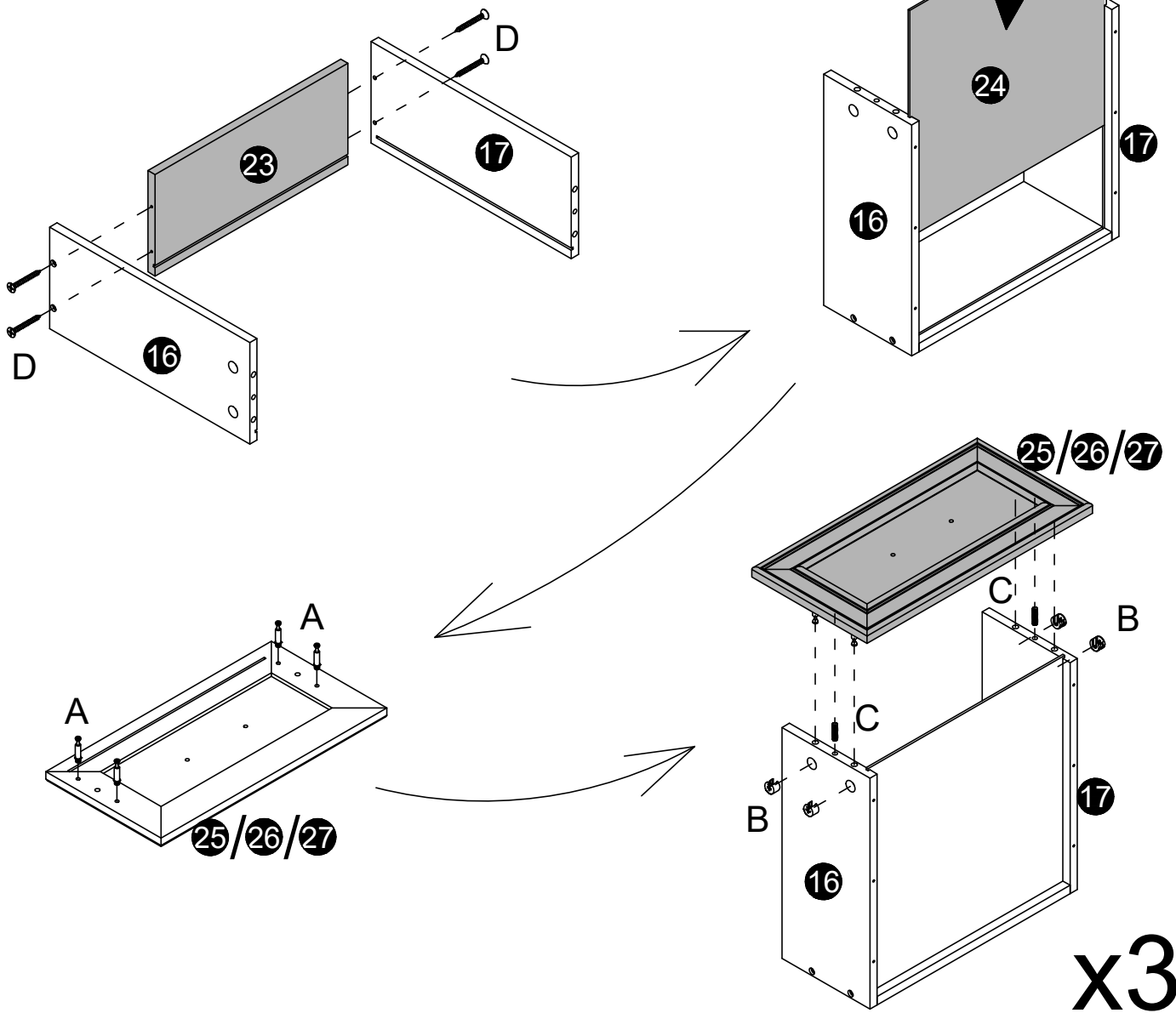
NO.	PARTS	QTY	SPARE
②1		x2	
②2		x2	
②3		x3	
②4		x3	
②5		x1	
②6		x1	
②7		x1	
	 Hardware Kit	x1	



 <p>A x53 Ø6x35mm +3(spare)</p>	 <p>B x53 Ø15x10mm +3(spare)</p>	 <p>C x46 Ø6x30mm +4(spare)</p>	 <p>D x48 Ø4x35mm +4(spare)</p>	 <p>E x106 +8(spare)</p>	 <p>F x4</p>
 <p>G x11</p>	 <p>H-1 H-2</p>	 <p>I-1 I-2</p>	 <p>J-1 J-2</p>	 <p>K x2 Ø6x30mm</p>	 <p>N x14</p>
 <p>CL x7 L300mm</p>	 <p>CR x7 L300mm</p>	 <p>DL x7 L300mm</p>	 <p>DR x7 L300mm</p>		

 <p>A x12</p>	 <p>B x12</p>	 <p>C x6</p>	 <p>D x12</p>
---	---	--	---

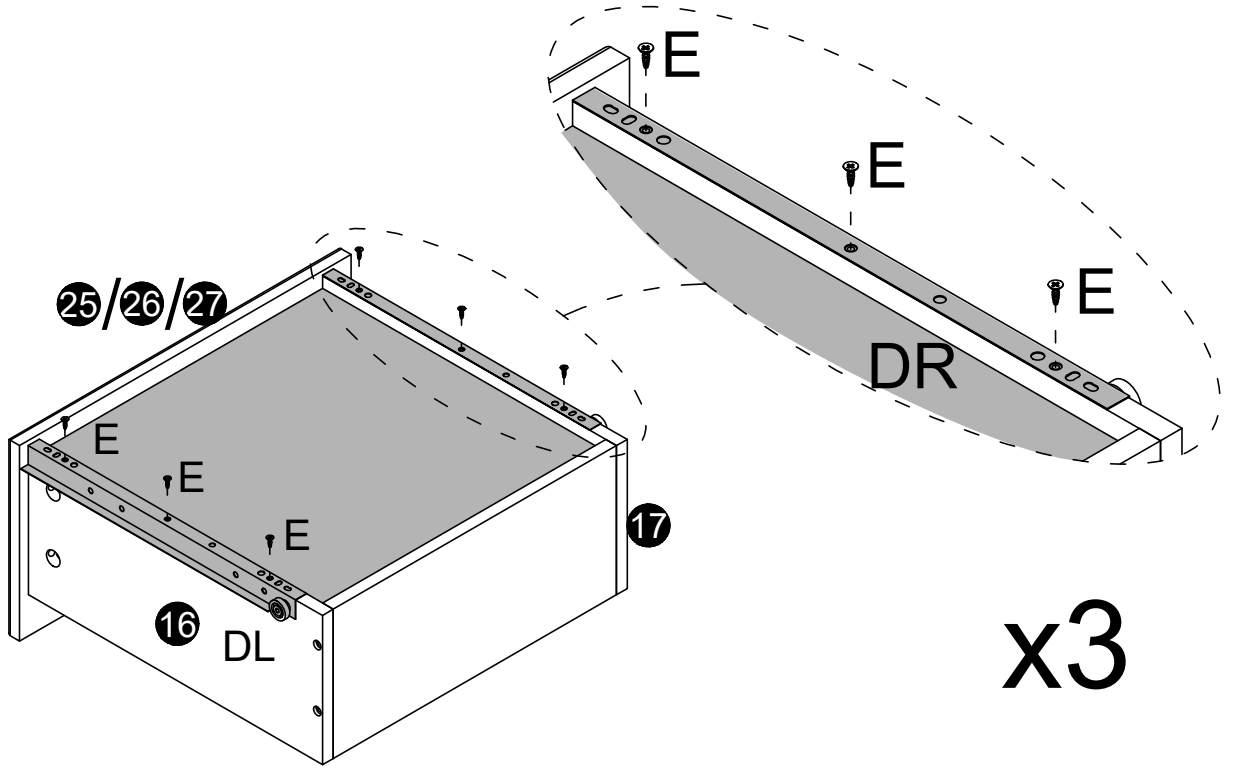
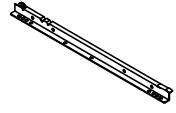
01



E x18

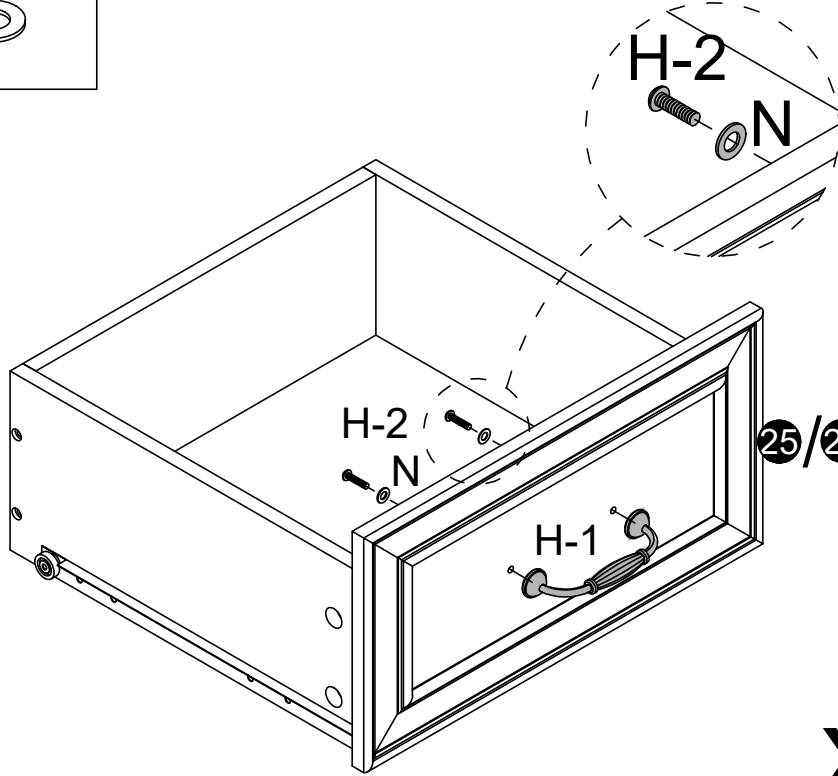
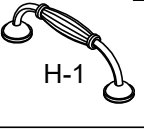
DL x3

DR x3



H x3

N x6

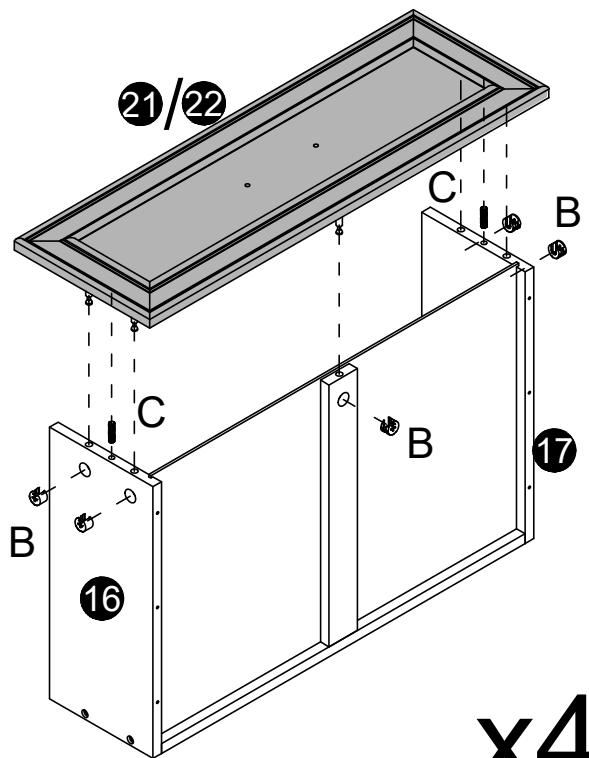
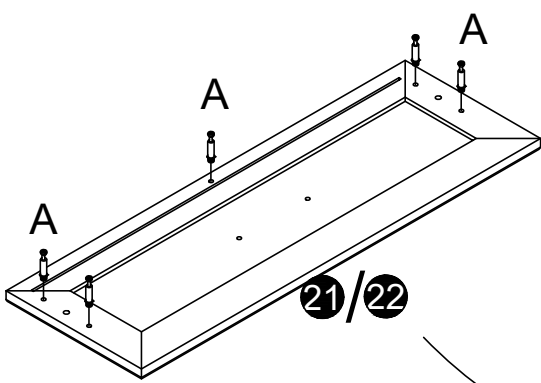
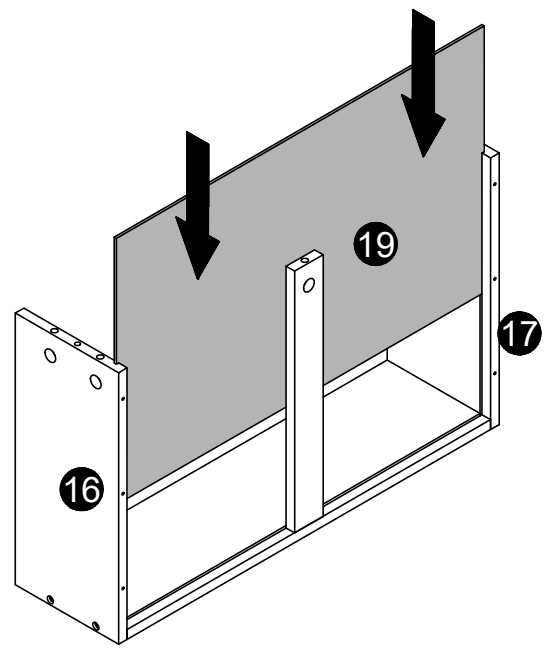
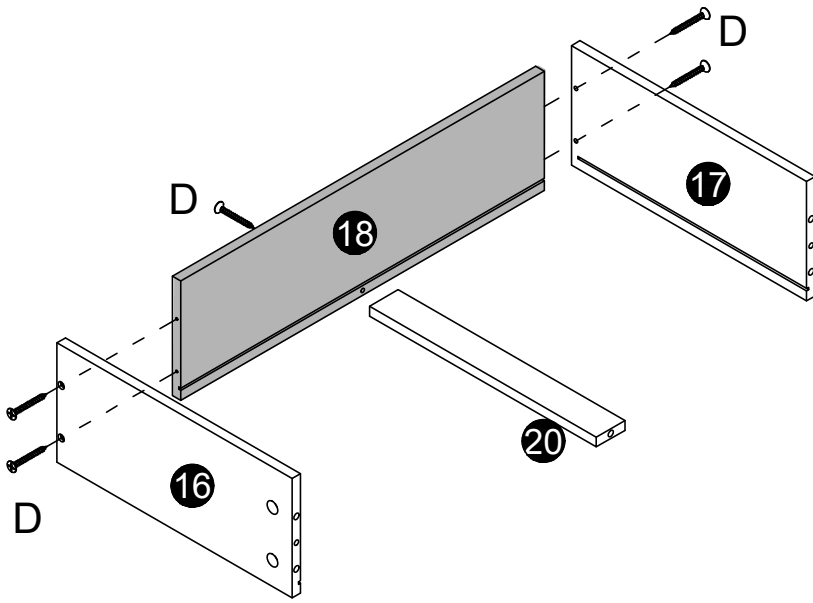
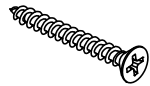
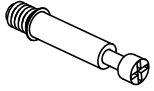


A x20

B x20

C x8

D x20

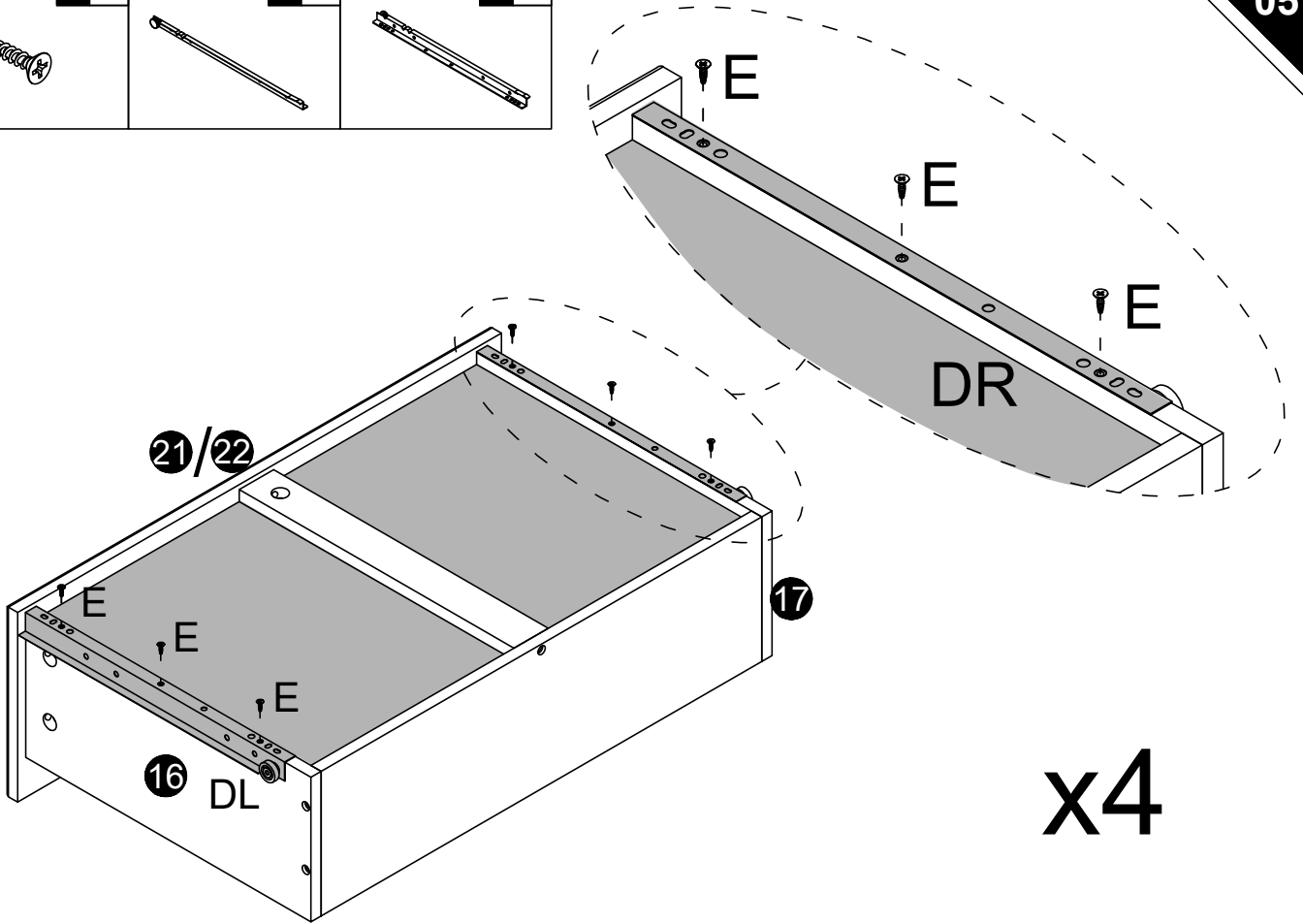
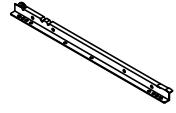
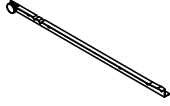


x4

E x24

DL x4

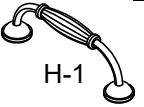
DR x4



x4

H x4

N x8

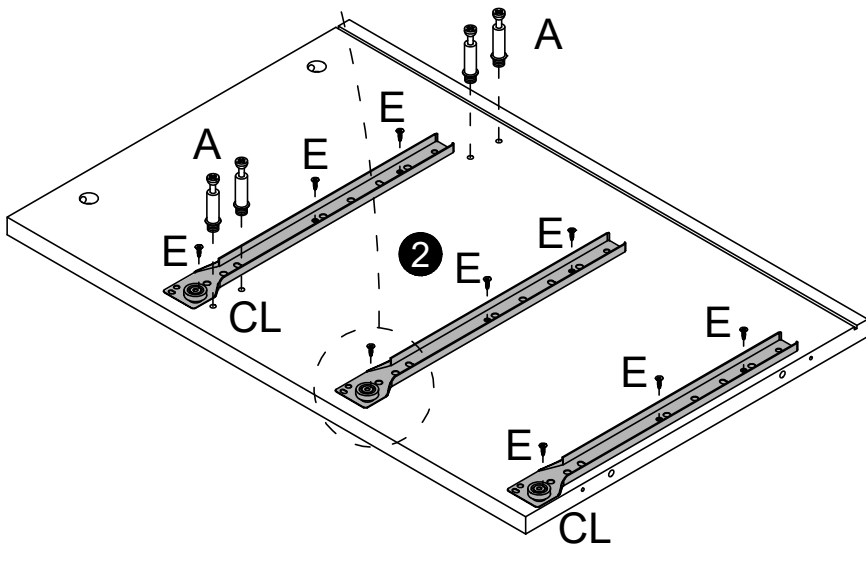
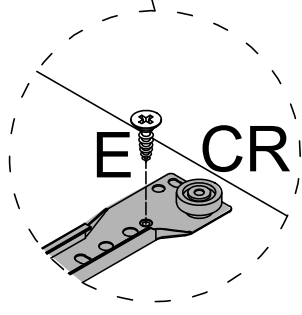
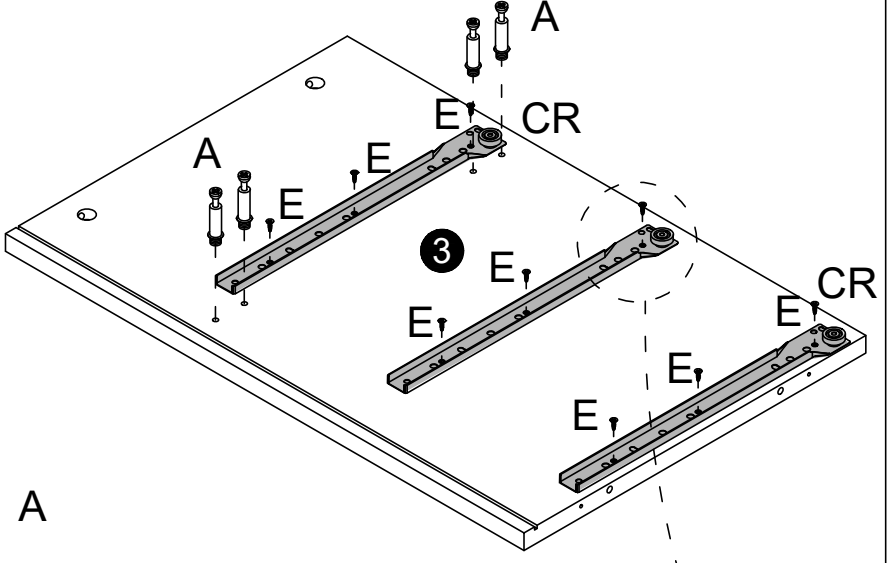
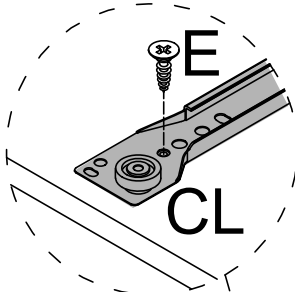
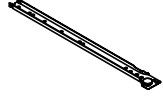
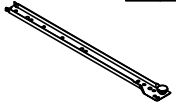
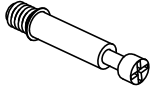


A x8

E x18

CL x3

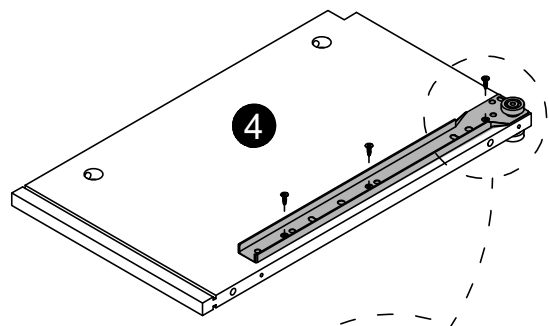
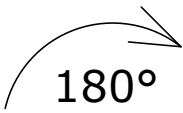
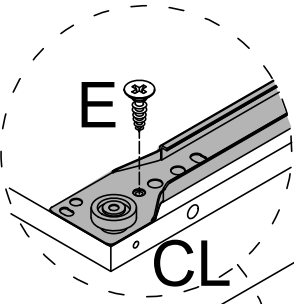
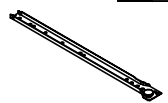
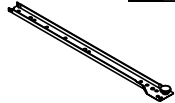
CR x3



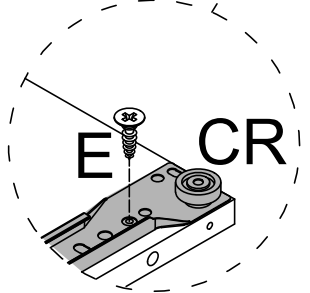
E x6

CL x1

CR x1



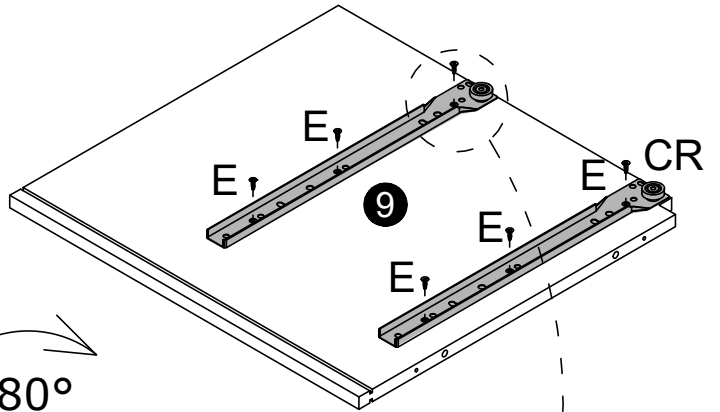
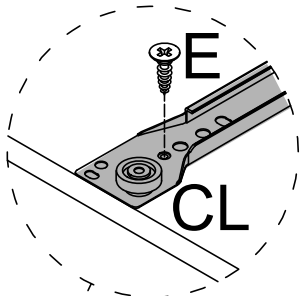
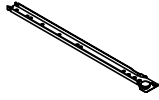
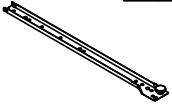
! Second hole



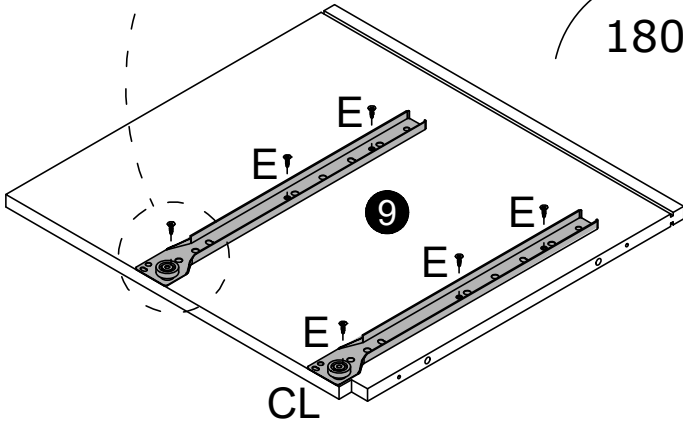
E x12

CL x2

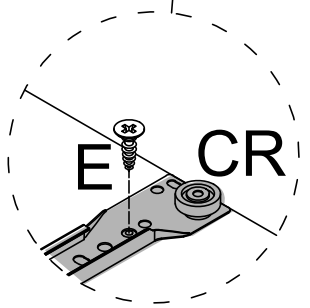
CR x2



180°

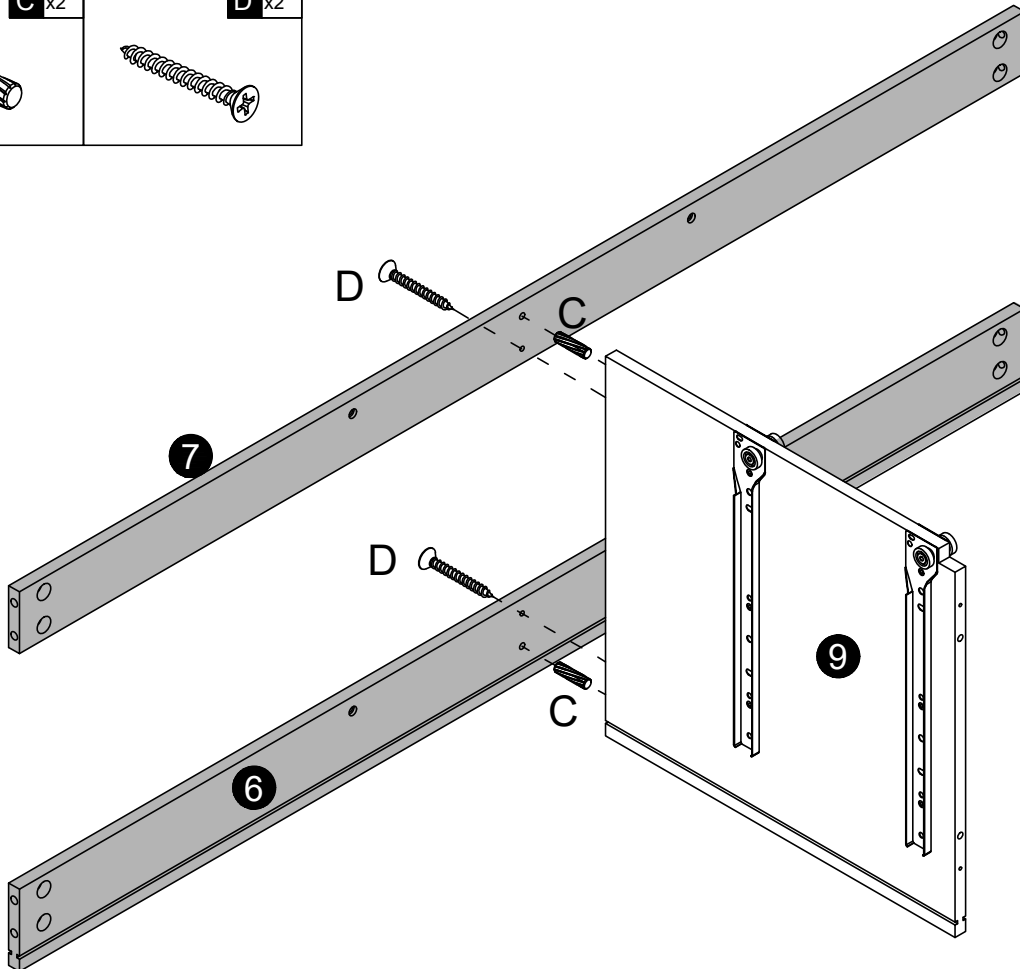
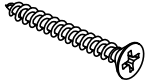


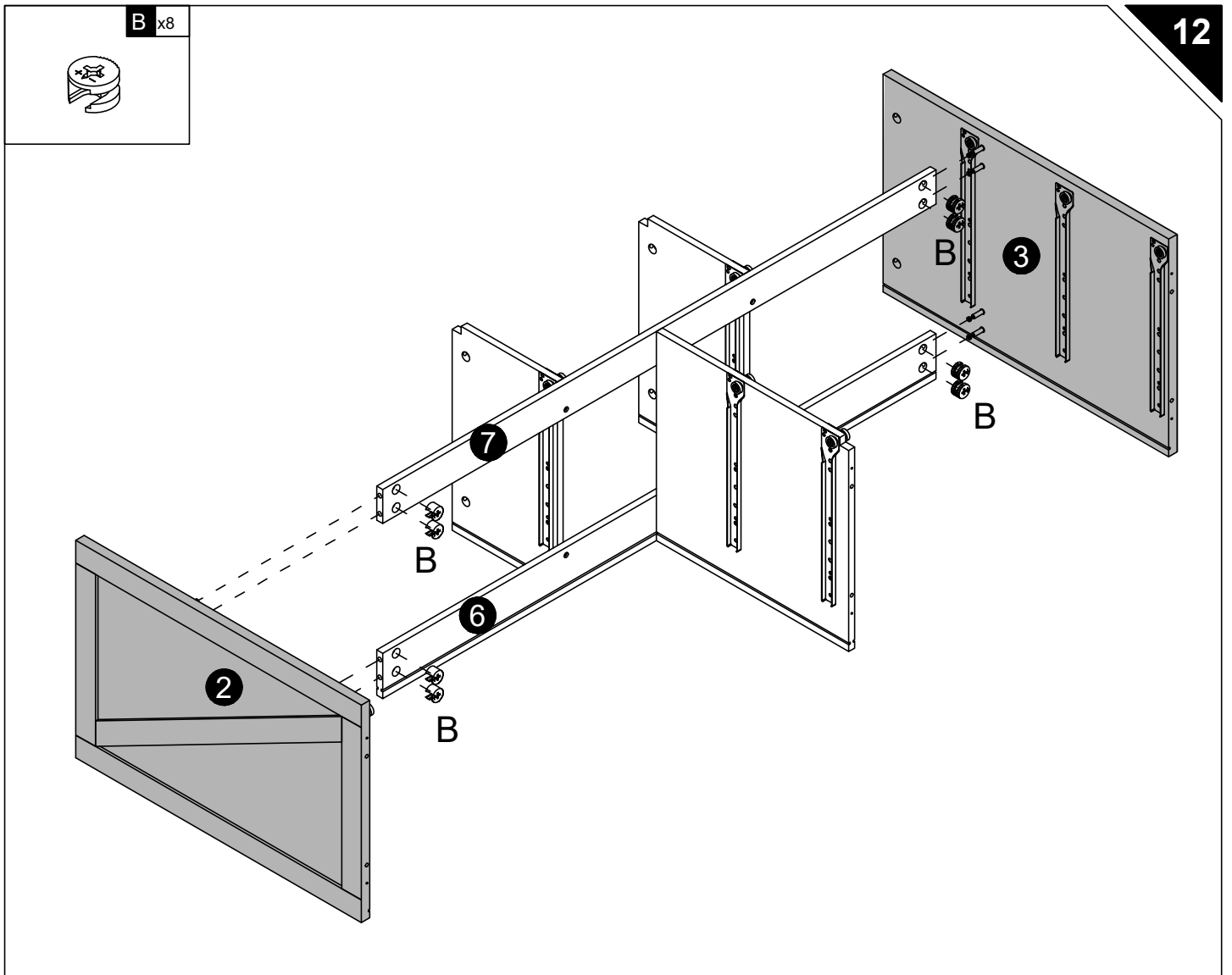
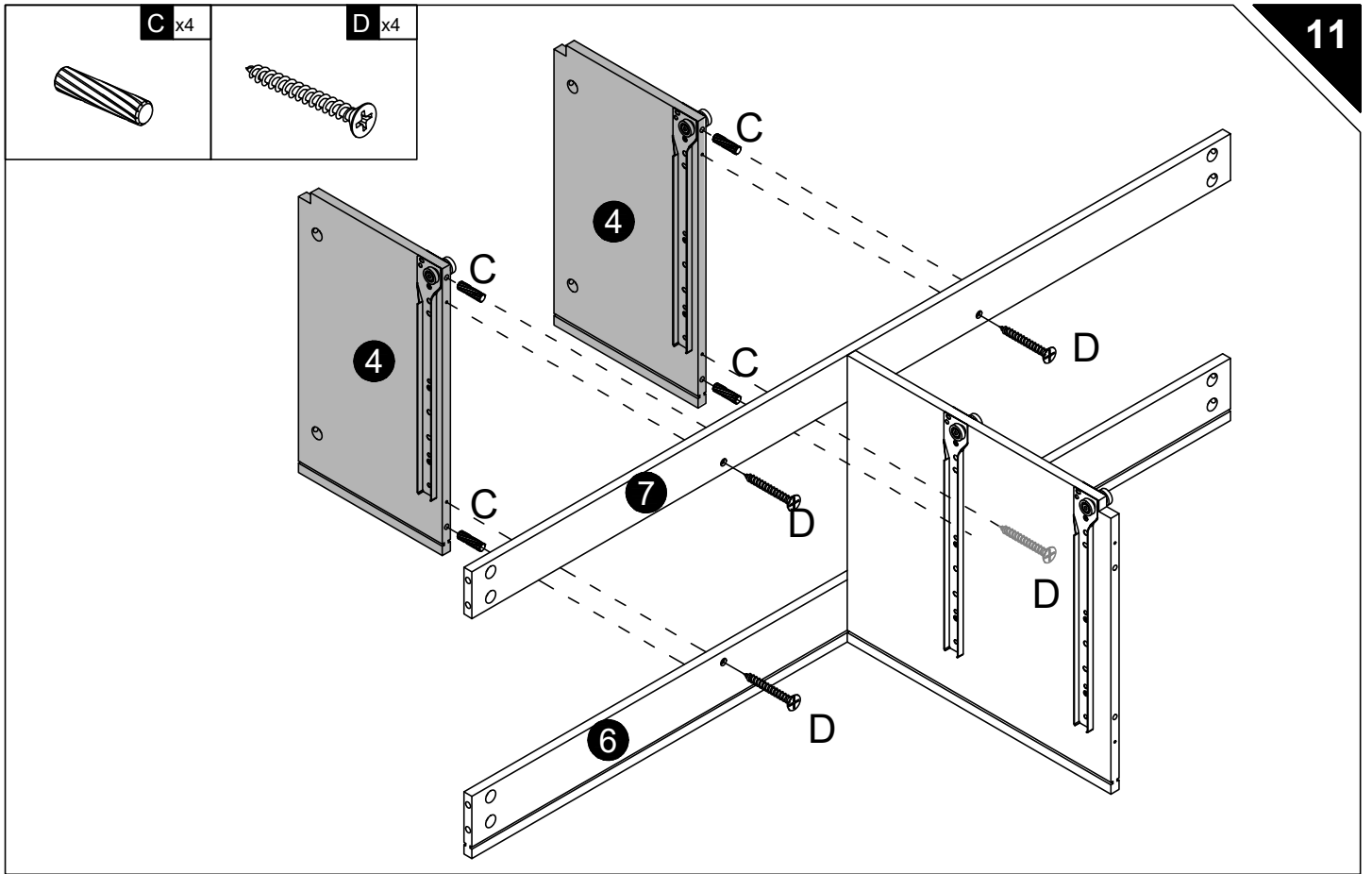
Second hole



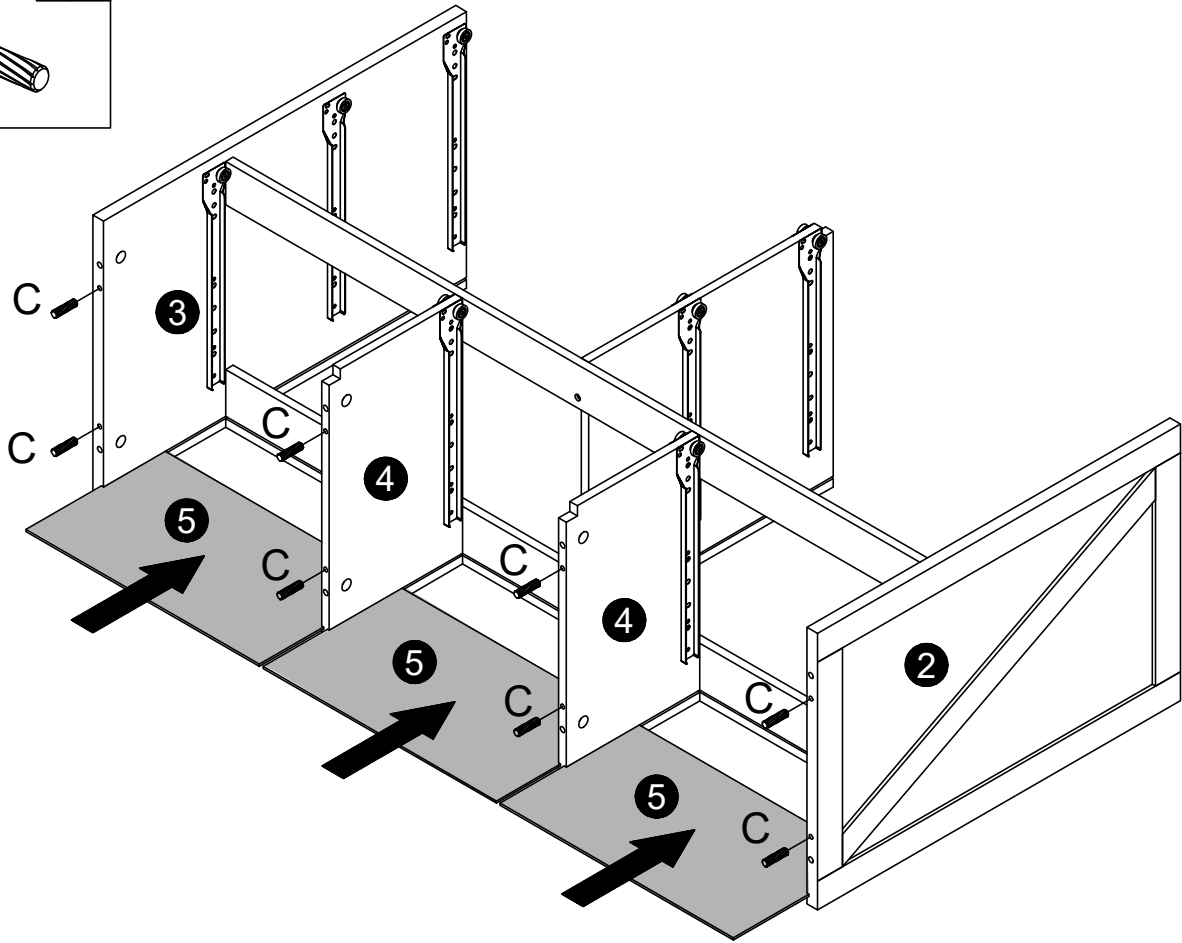
C x2

D x2

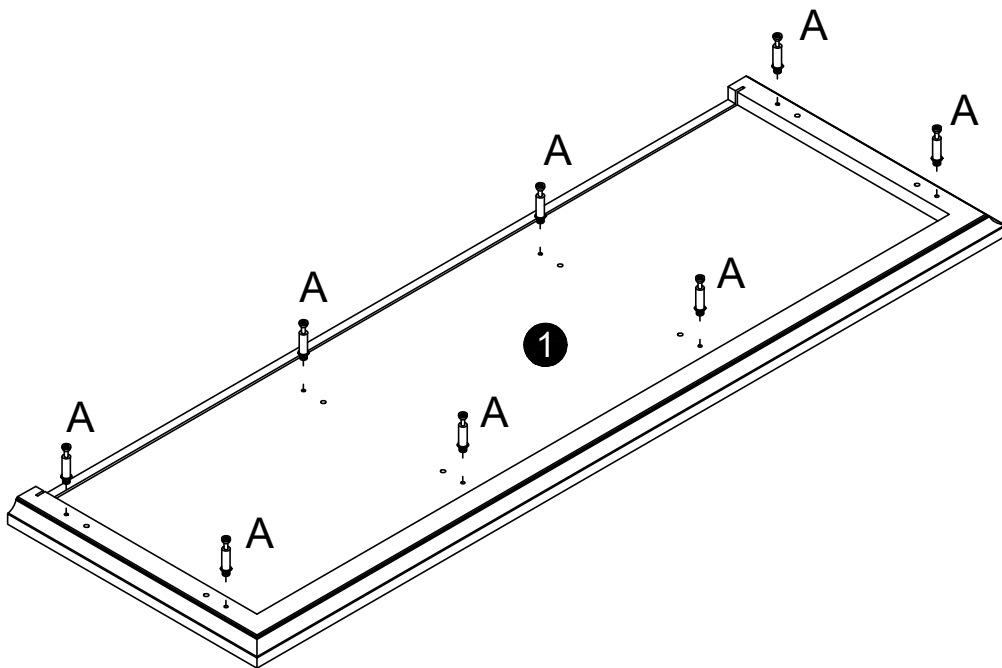
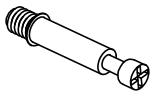


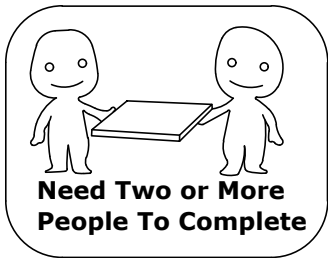
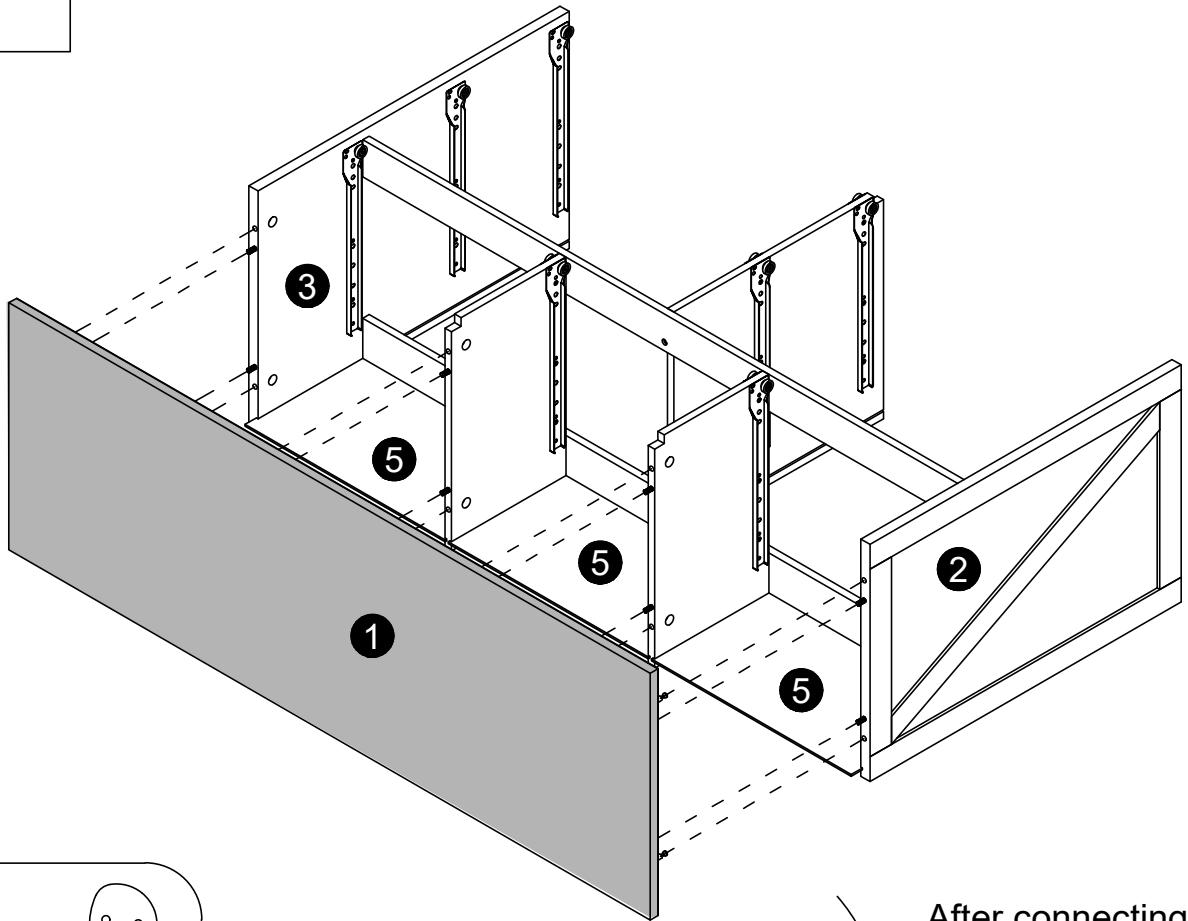


C x8

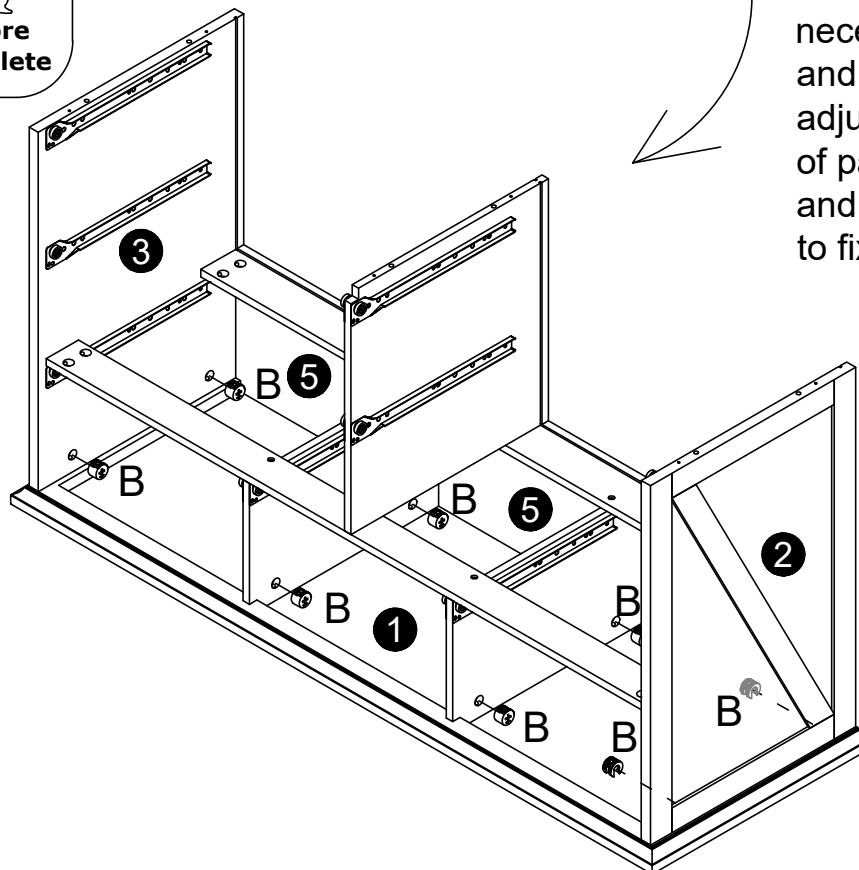


A x8

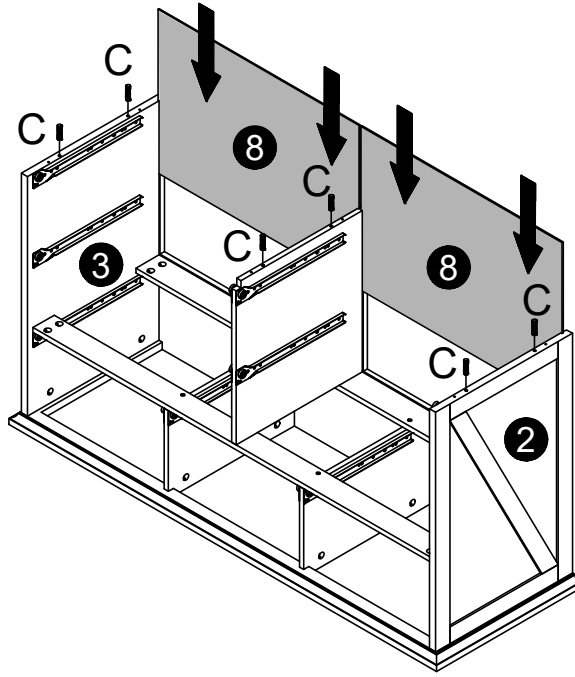




After connecting part (1) with part (2) and part (3), it is necessary to turn and stand up and adjust the position of part (5) board, and then use part B to fix it.

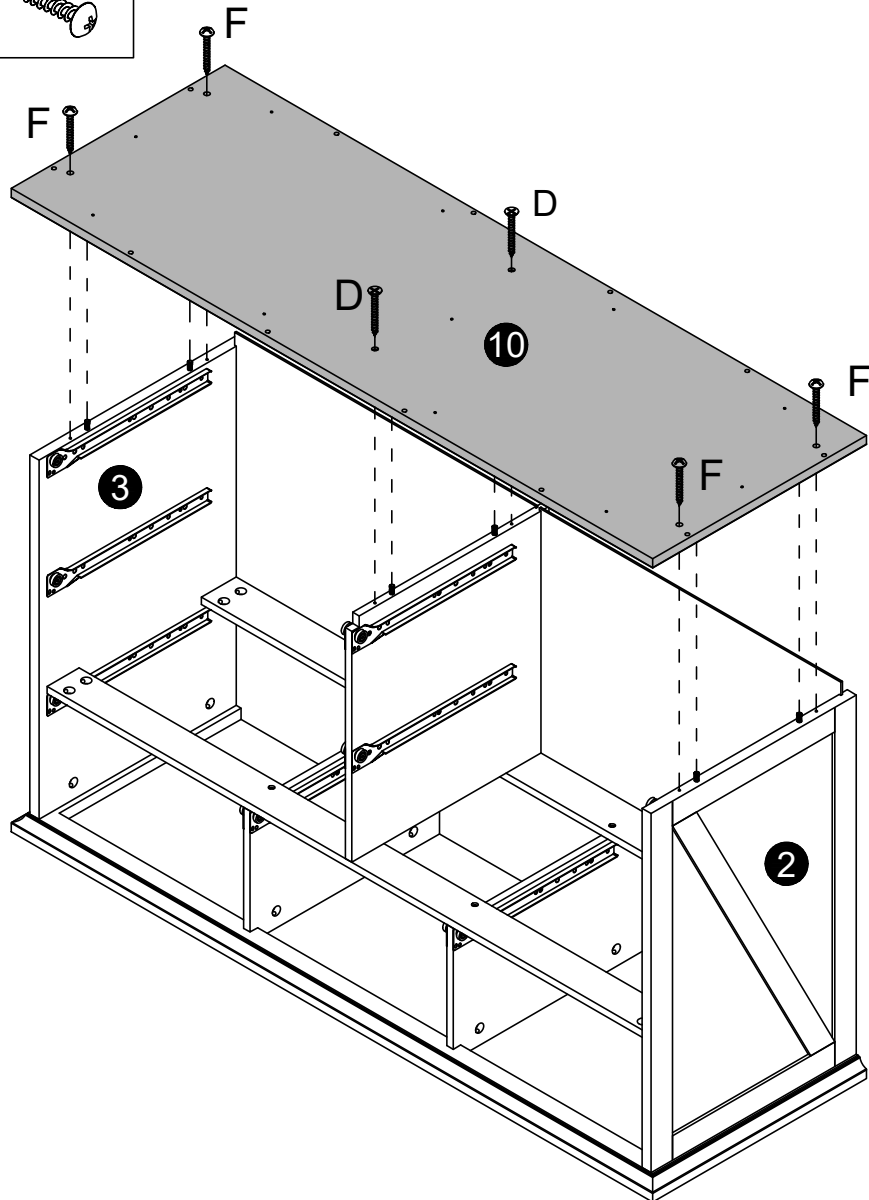
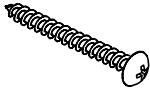
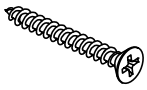


C x6

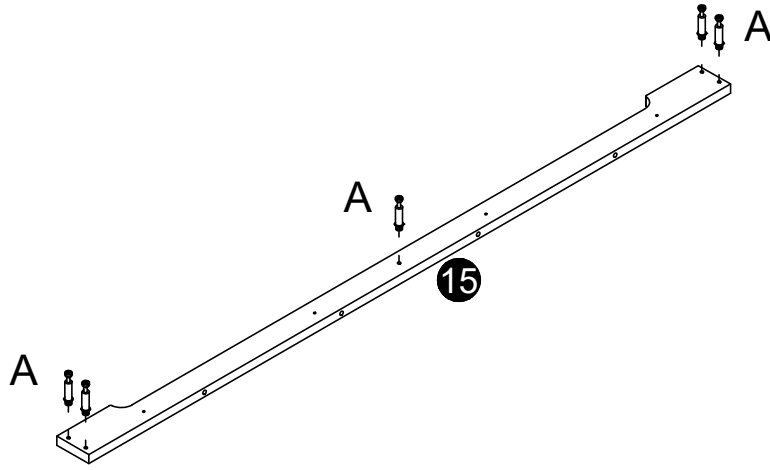
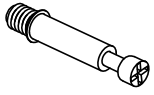


D x2

F x4



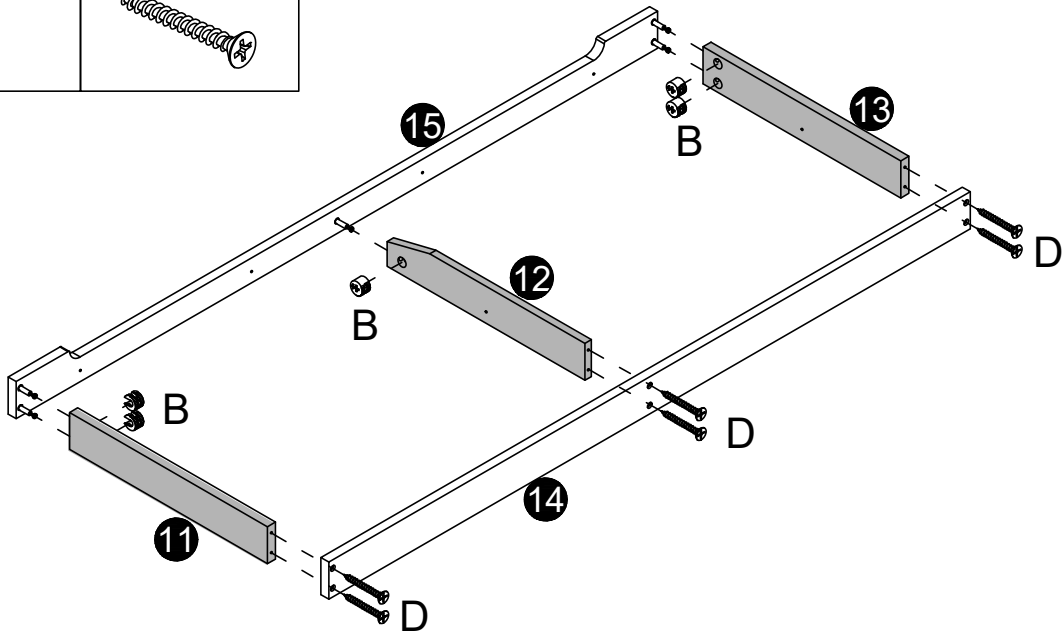
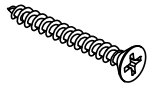
A x5



B x5



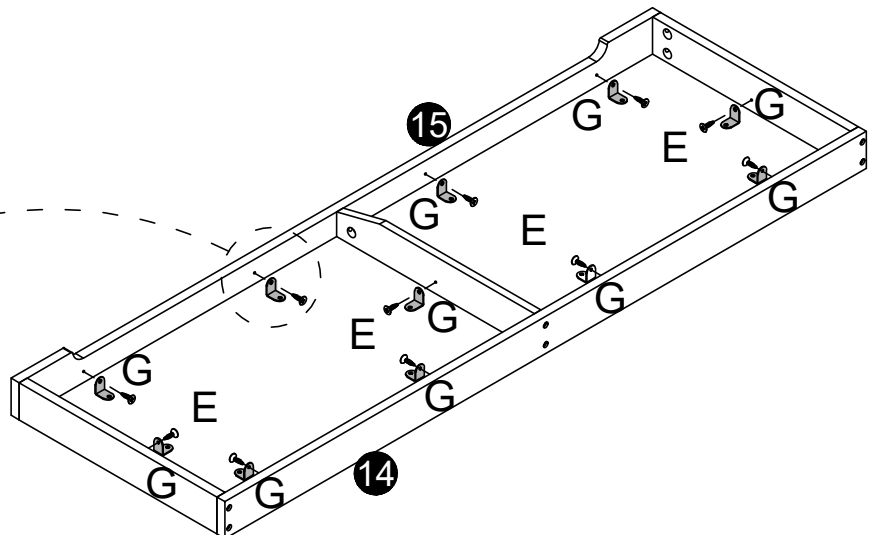
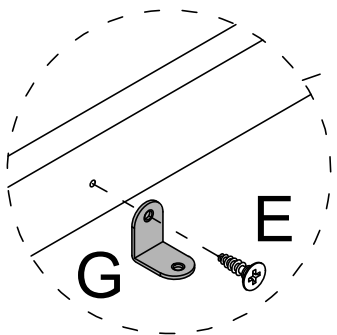
D x6



E x11

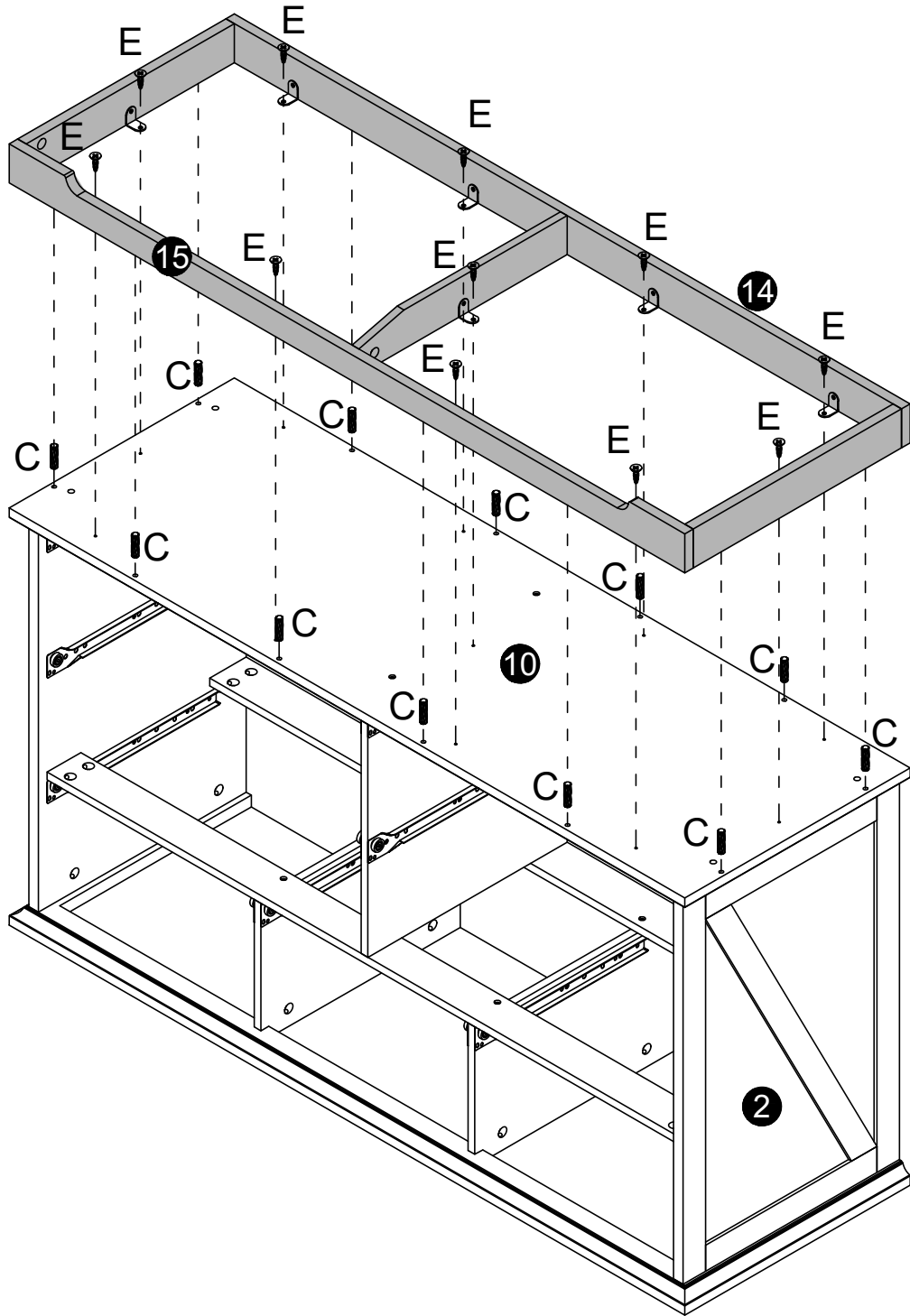


G x11



C x12

E x11



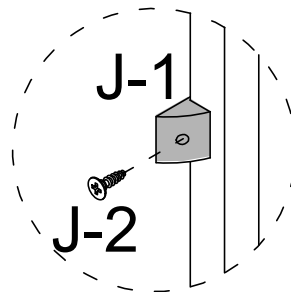
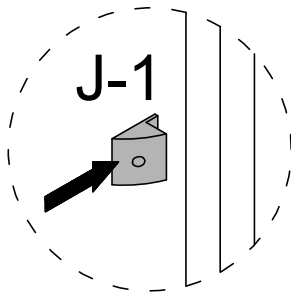
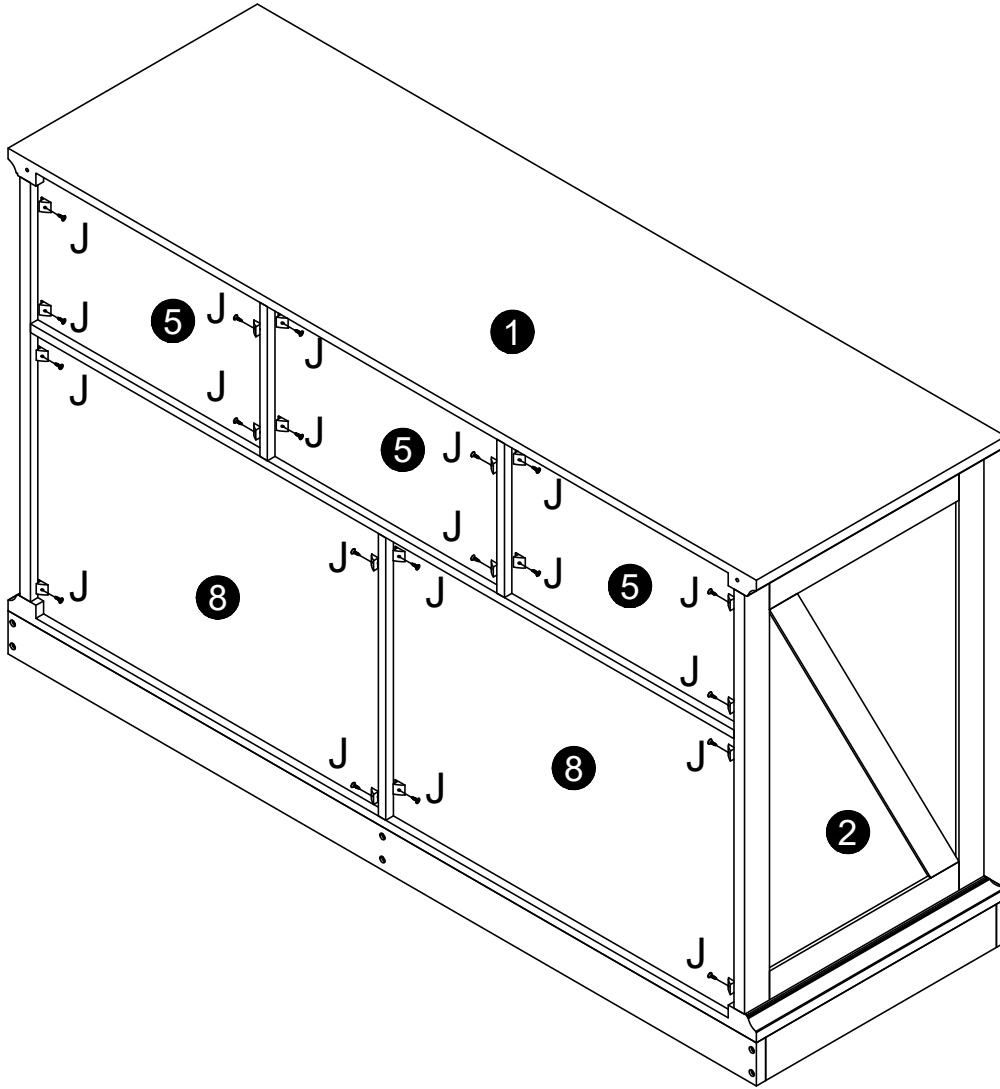
J x20

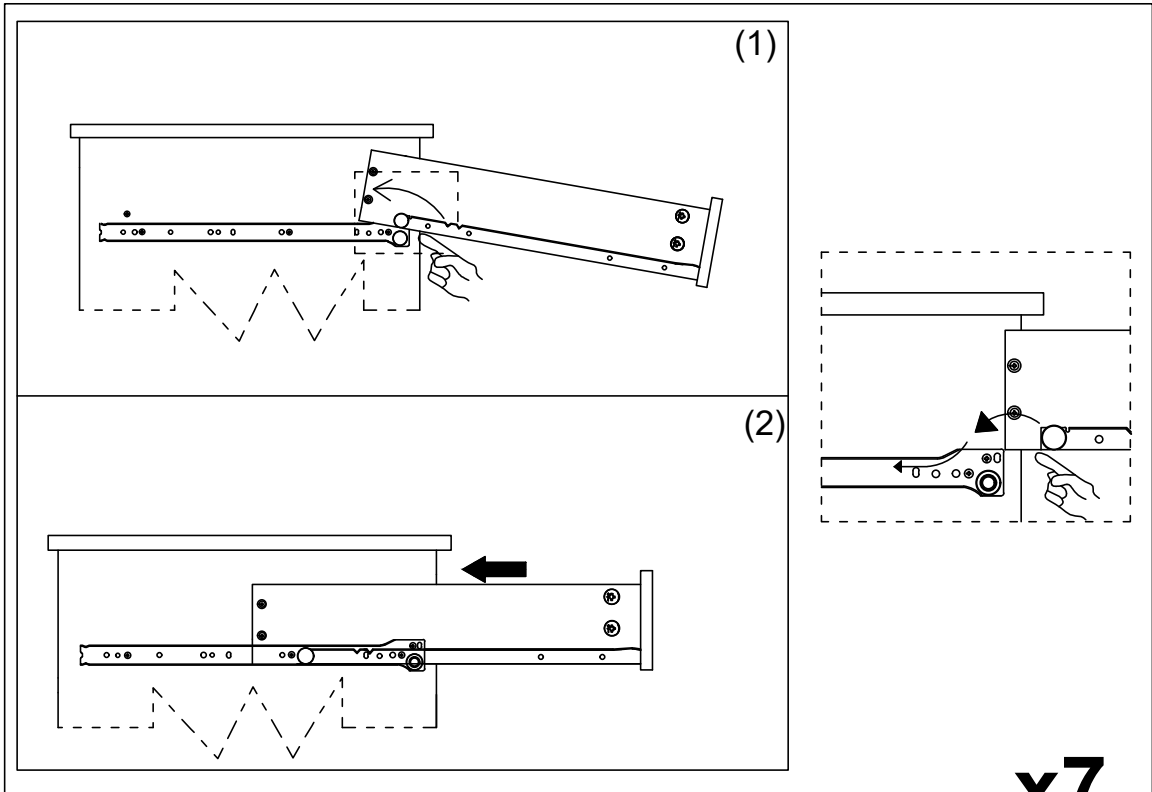


J-1

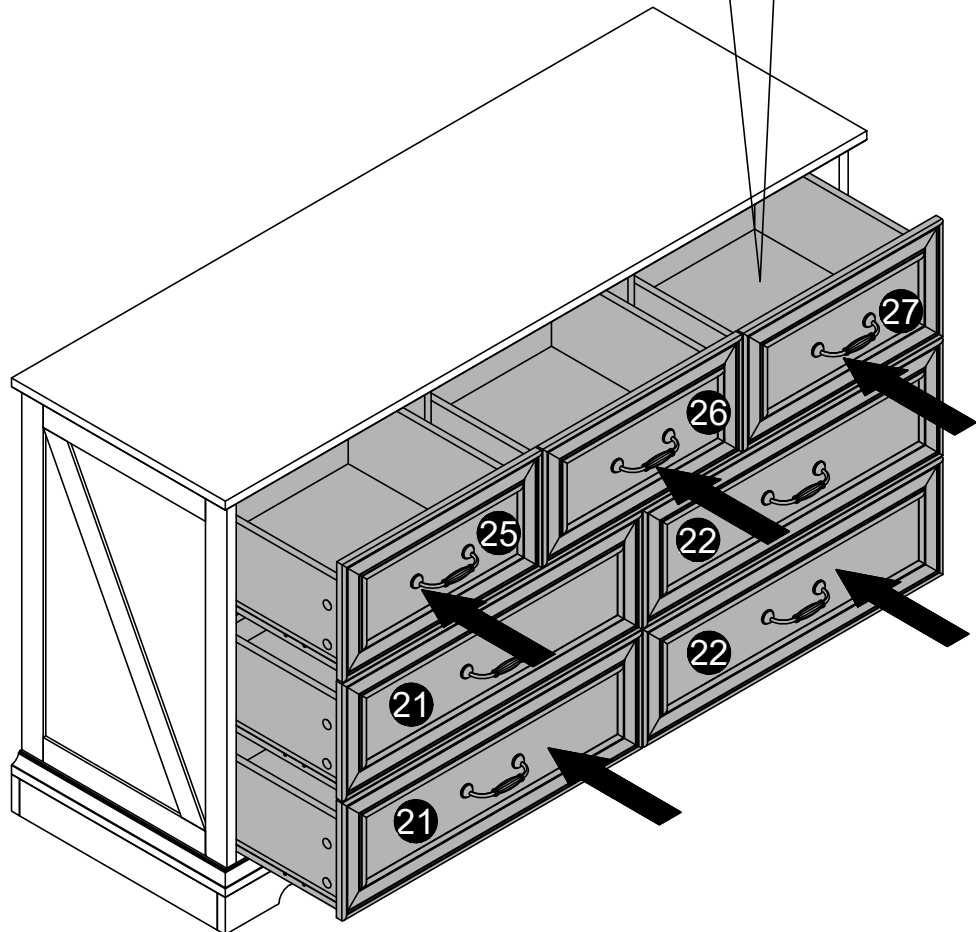


J-2

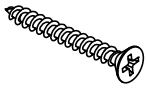




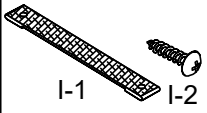
x7



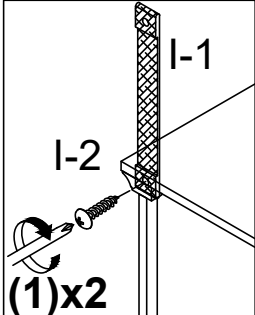
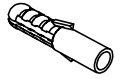
D x2



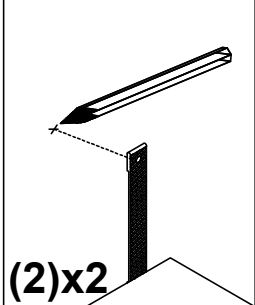
I x2



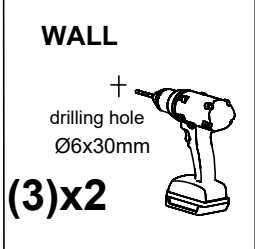
K x2



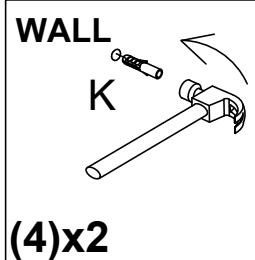
First fix the anti-rewind screw in the reserved hole of the product.



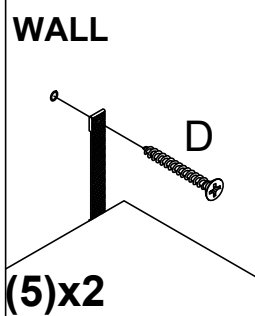
then, use a ruler to measure the approximate height of the product on the wall, and then mark it with a pen.



Then use a tape drill to make holes in the wall that are suitable for the product screws.



Then, put the expansion bolt into the hole



Finally, pass the matching screws through the "anti-rewind" and tighten them to fix them on the wall.

