

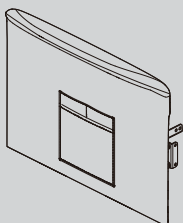
ASSEMBLY INSTRUCTIONS

SEAT BASE

1

Left Armrest

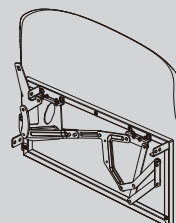
1PC



2

Right Armrest

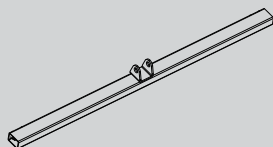
1PC



3

Crossbeam

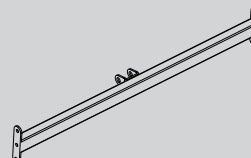
1PC



4

Crossbeam

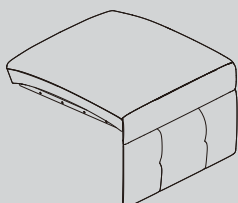
1PC



5

Cushion

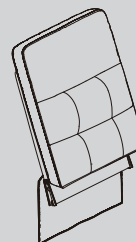
1PC



6

Backrest

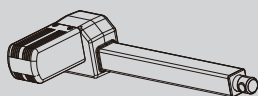
1PC



7

Electric Pushrod

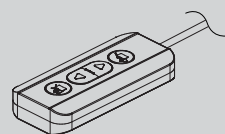
1PC



8

Remote Control

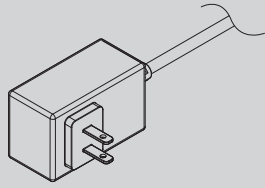
1PC



9

Power

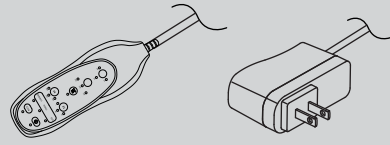
1PC



10

Massage controller and power supply

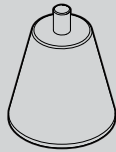
1PC



11

Adjustable feet

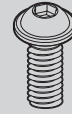
4PC



12

M8X20mm

12PC



13

M6X11mm

5PC



14

M6X15mm

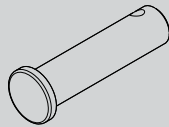
5PC



15

Ø10x40mm

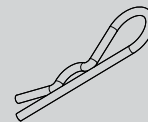
2PC



16

R-clip

2PC



17

Allen Key
S=5mm

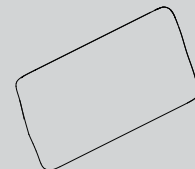
1PC



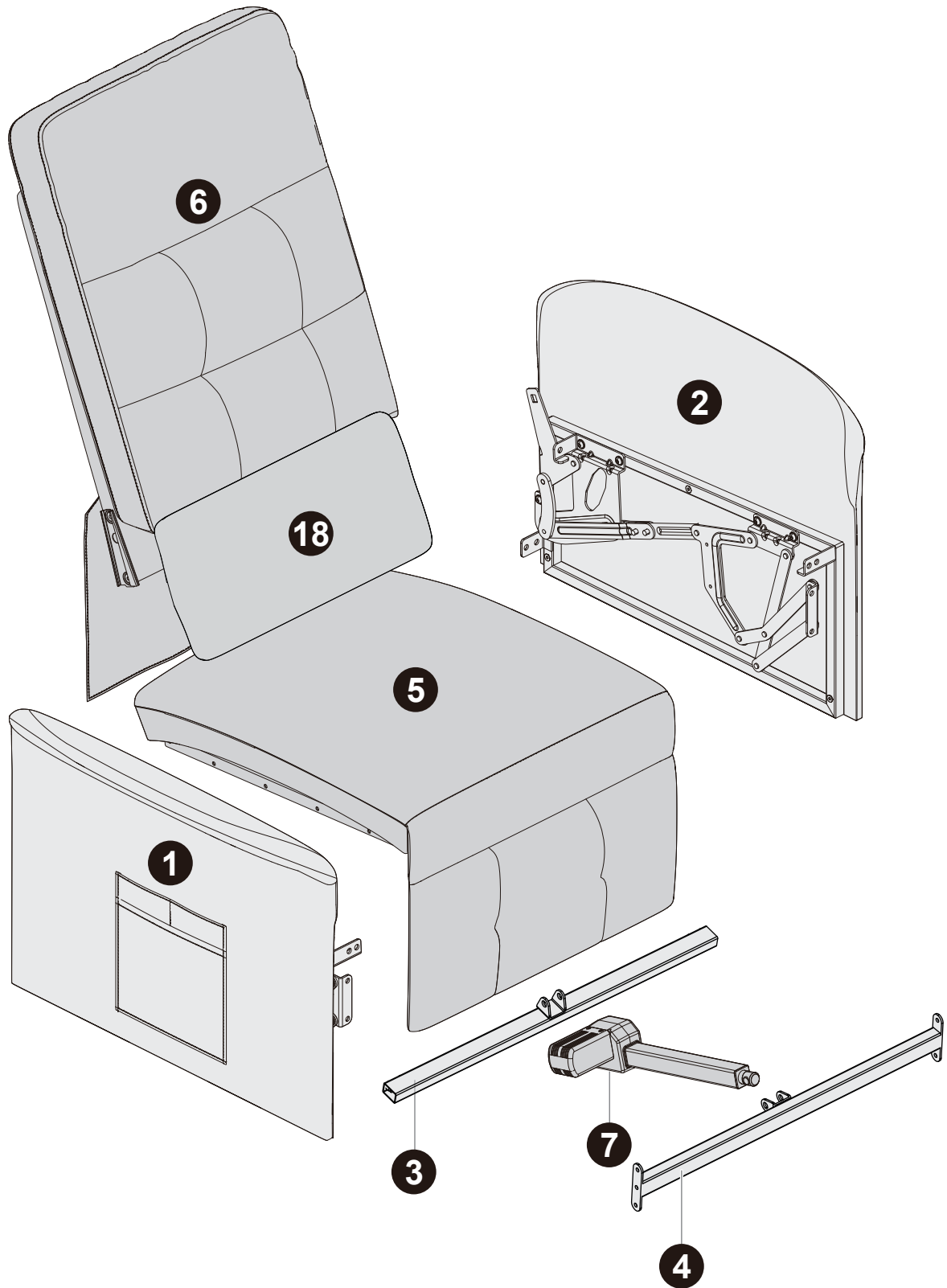
18

Back Cushion

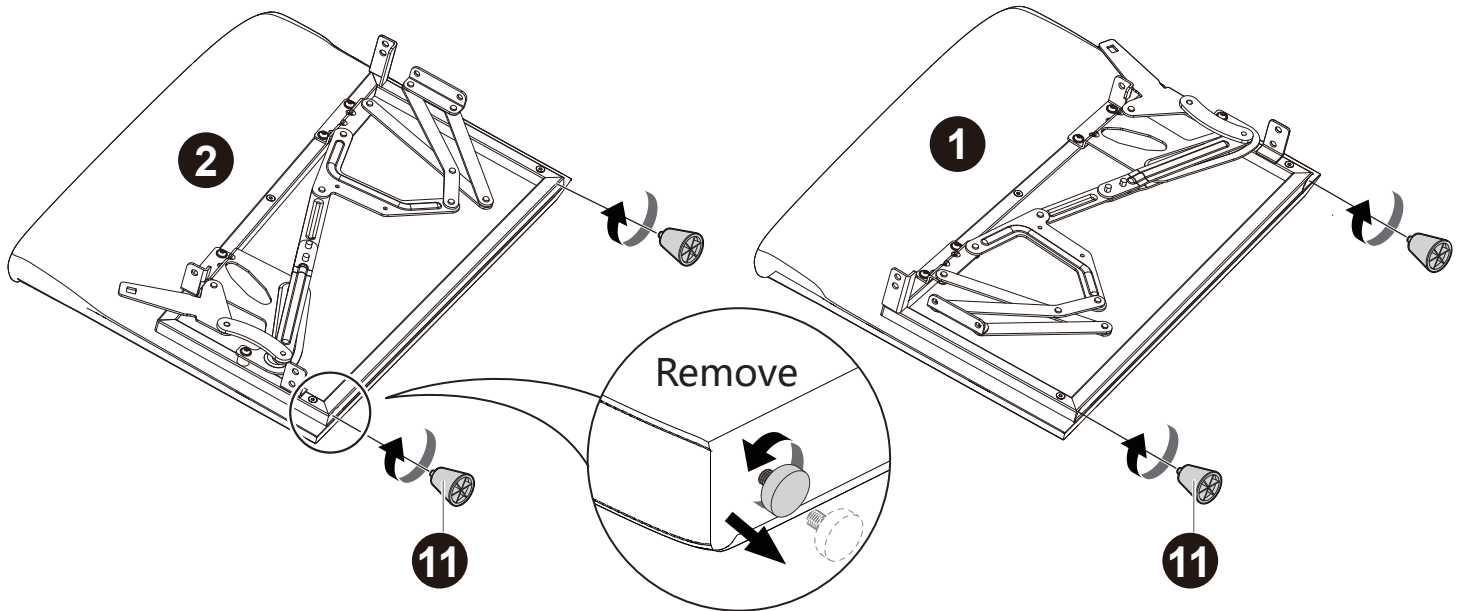
1PC



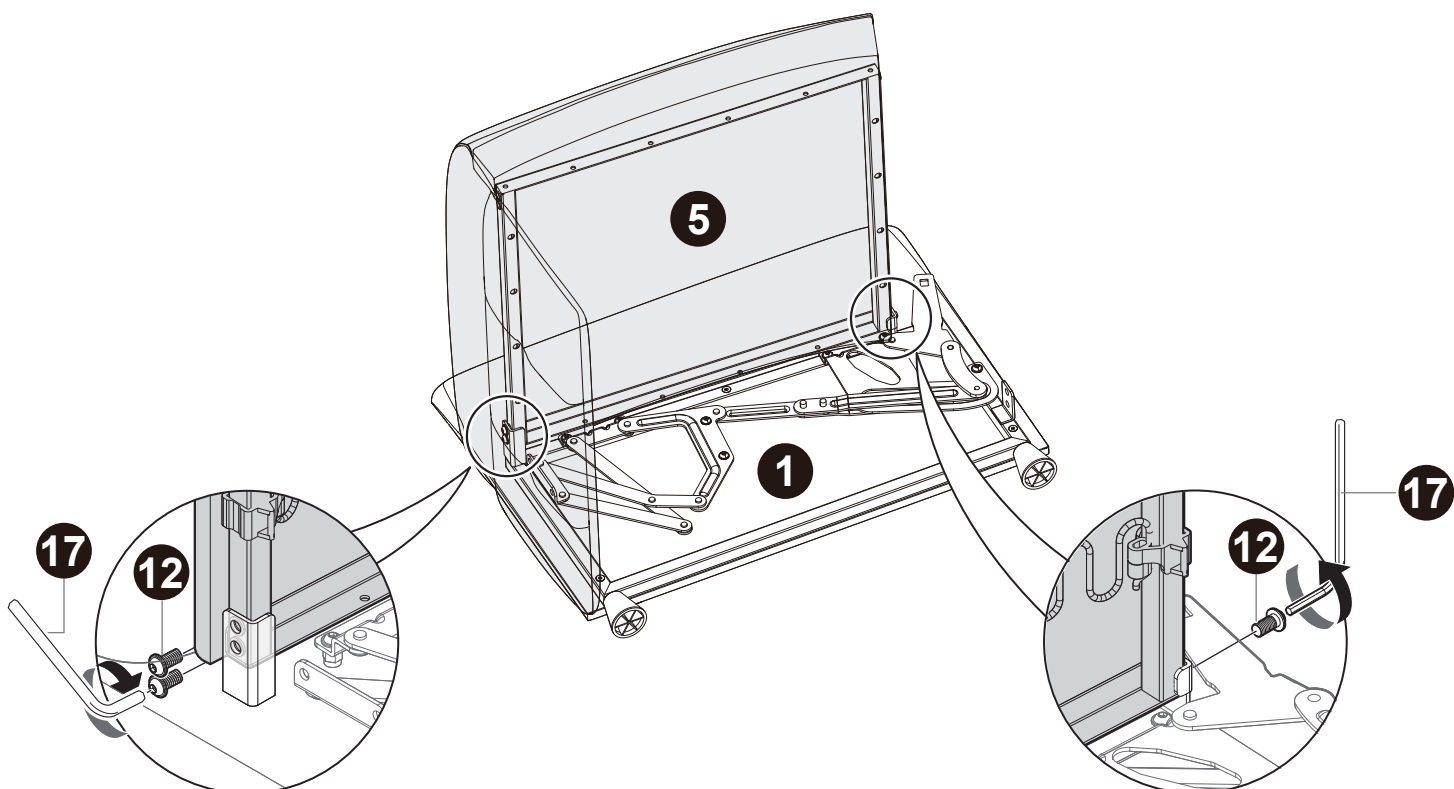
OVERVIEW



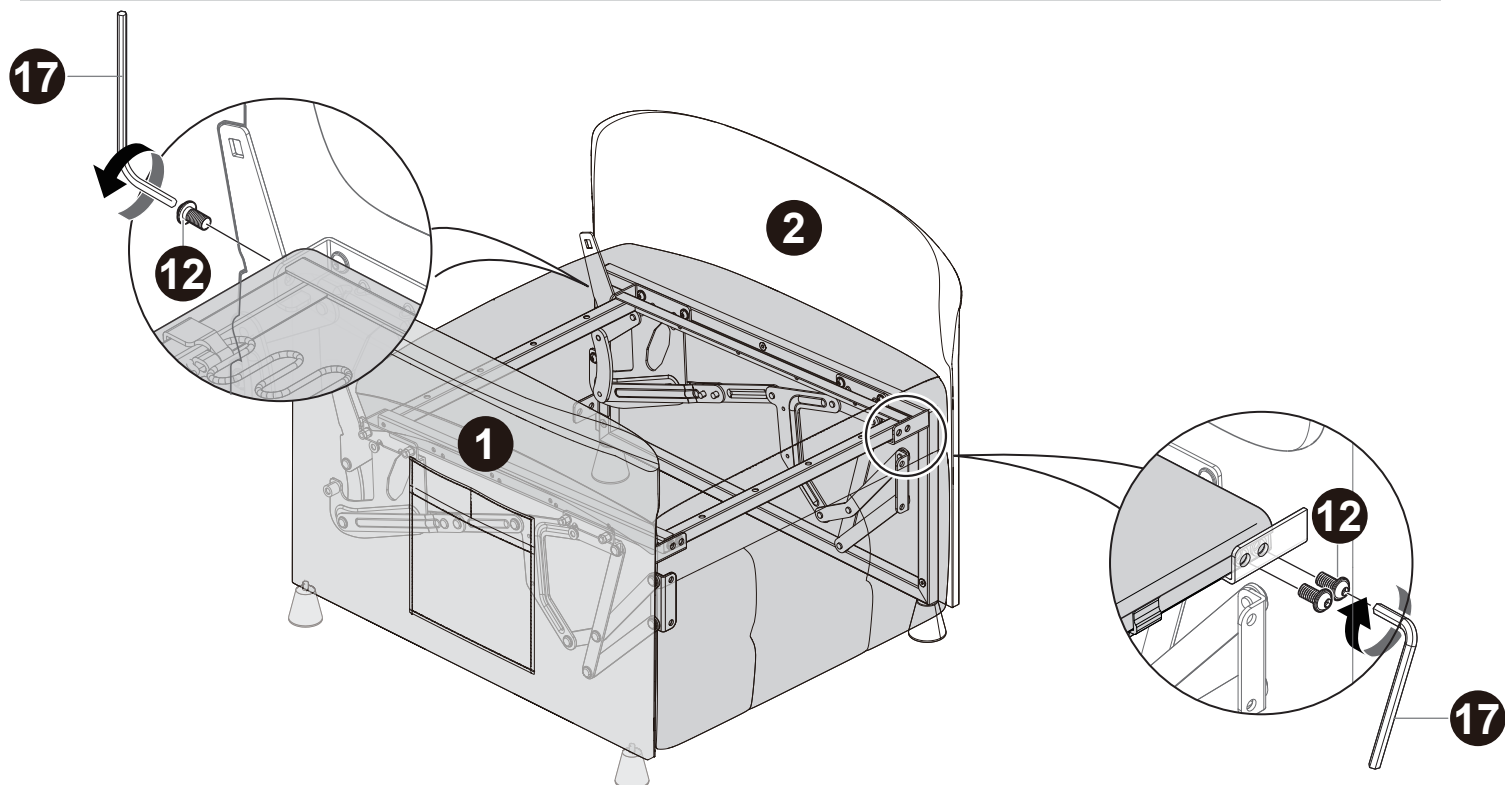
STEP 1 :Screw the plastic feet clockwise onto the bottom of the handrail.



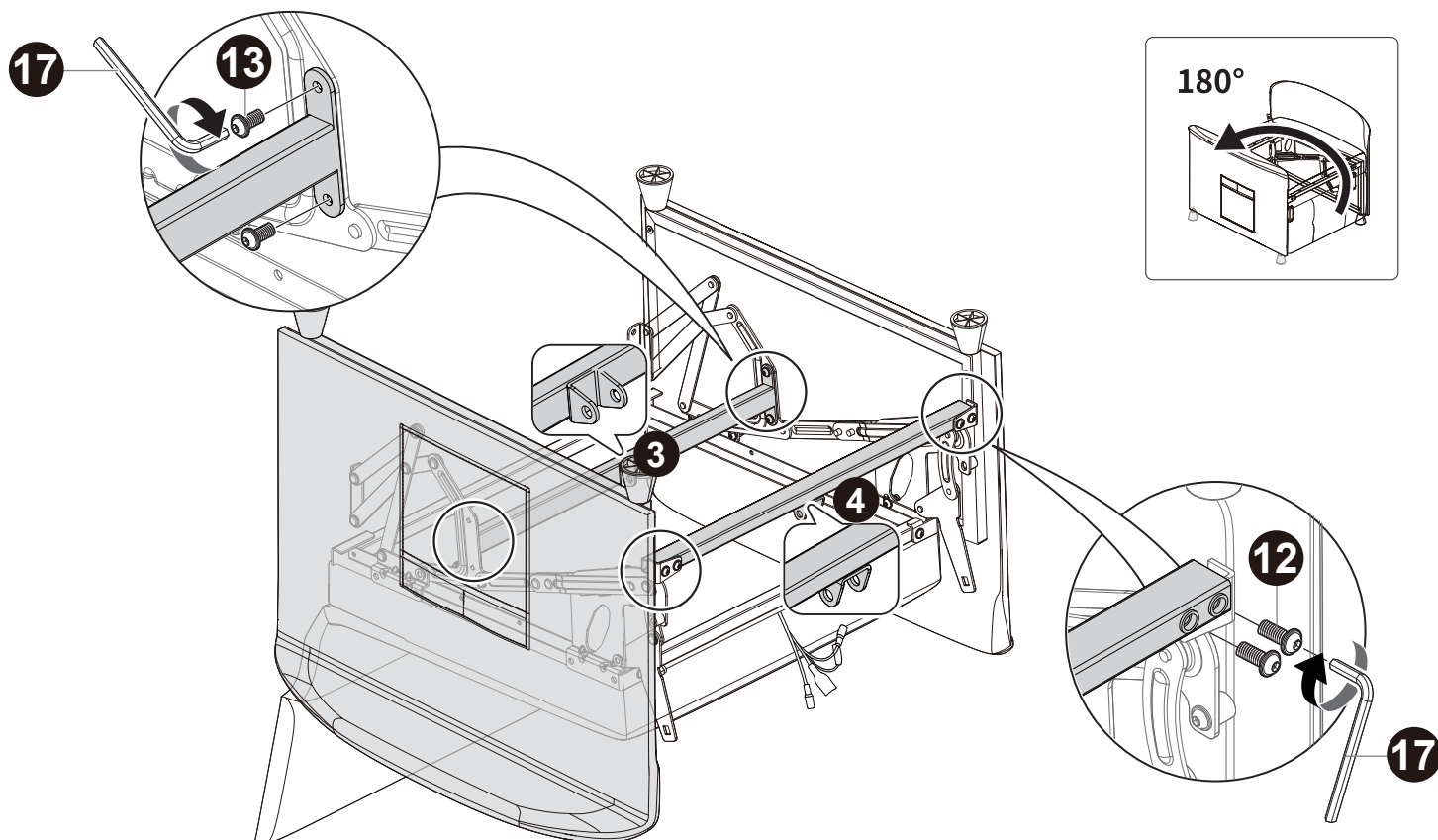
STEP 2 :Lay the right armrest flat, place the seat cushion on the right armrest, and tighten the three screws at the front and back of the frame.



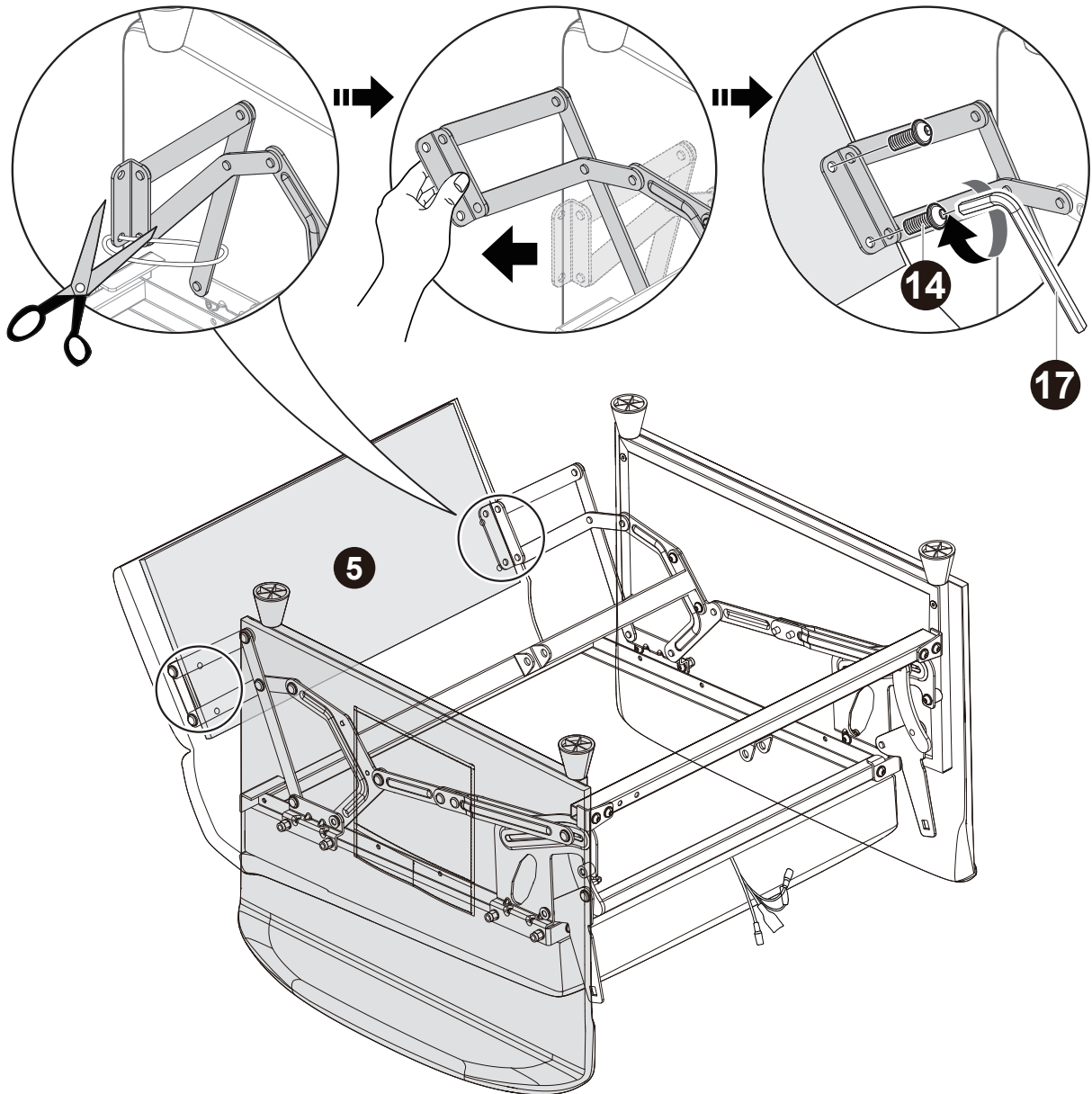
STEP 3 :Lift up the right armrest and the seat frame that have been fastened with screws, place the frame on the left armrest and fasten three screws at the front and back.



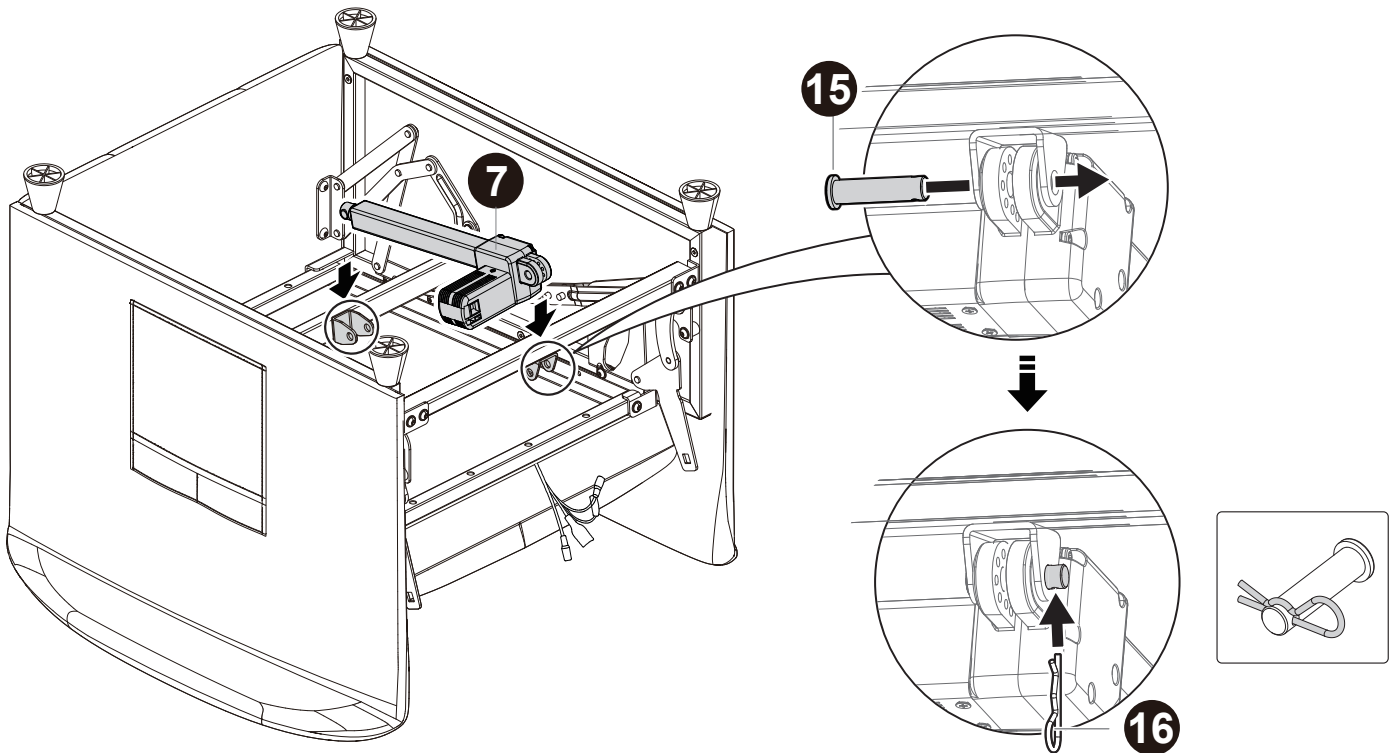
STEP 4 :Turn the sofa upside down, fix the front and rear crossbars onto the sofa, and screw them in. Pay attention to the direction of the front and rear crossbars.



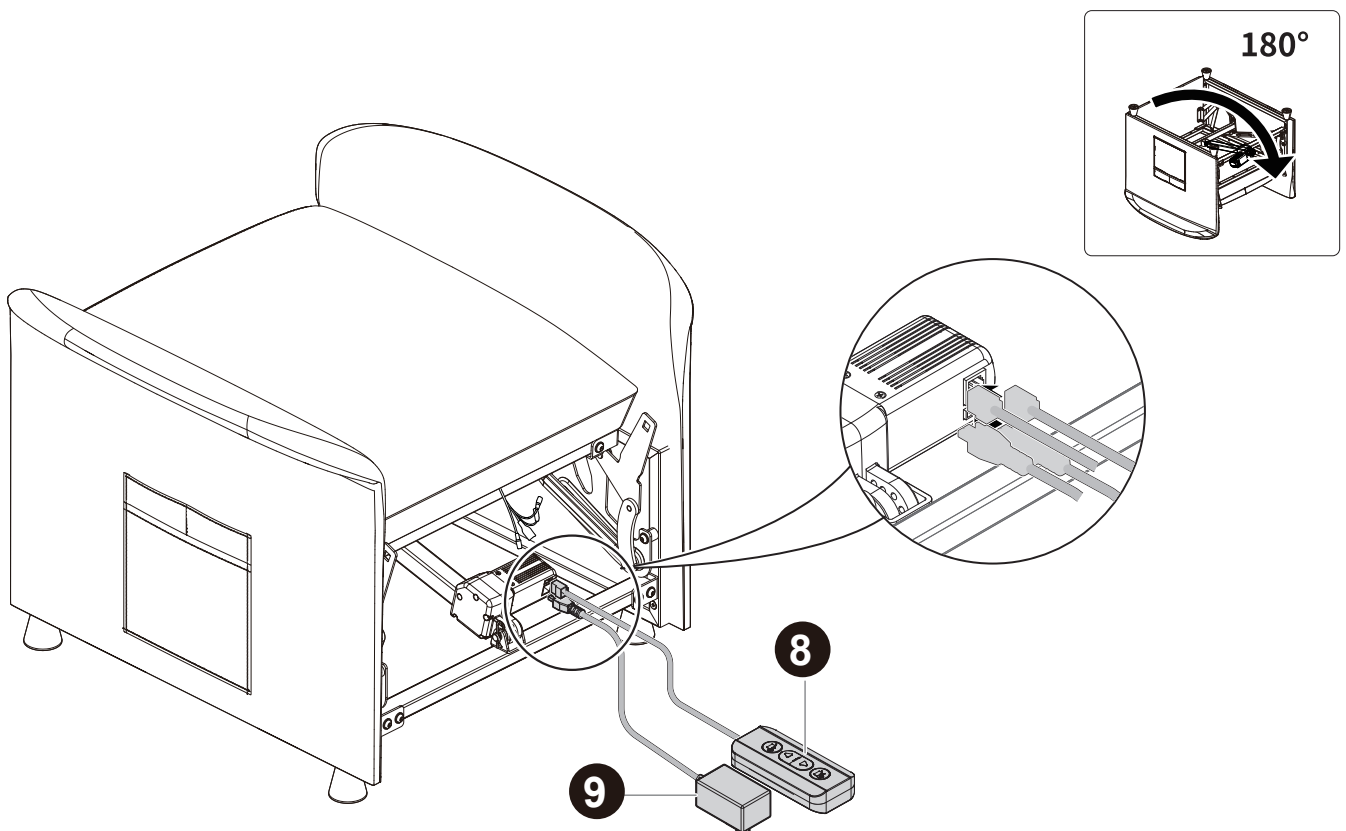
STEP 5 :Use scissors to cut the ties that fix the functional frame, then open the functional frame and align it with the hole position on the seat footboard. Secure it with screws.



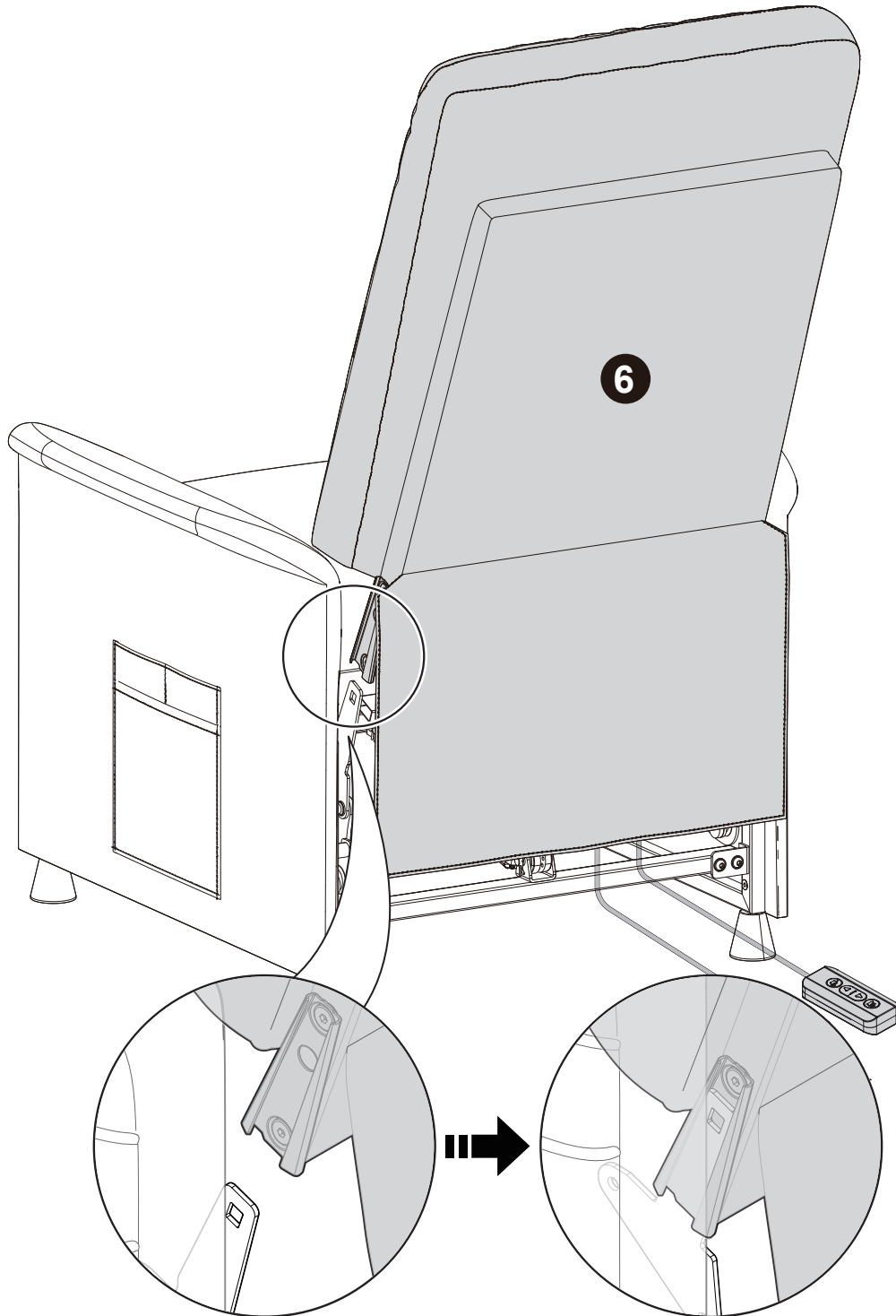
STEP 6 :Retract the footplate, fix the push rod on the front and rear crossbeams using the pin, and secure the pin with an R-shaped shaft.



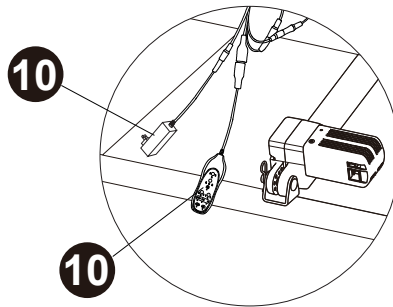
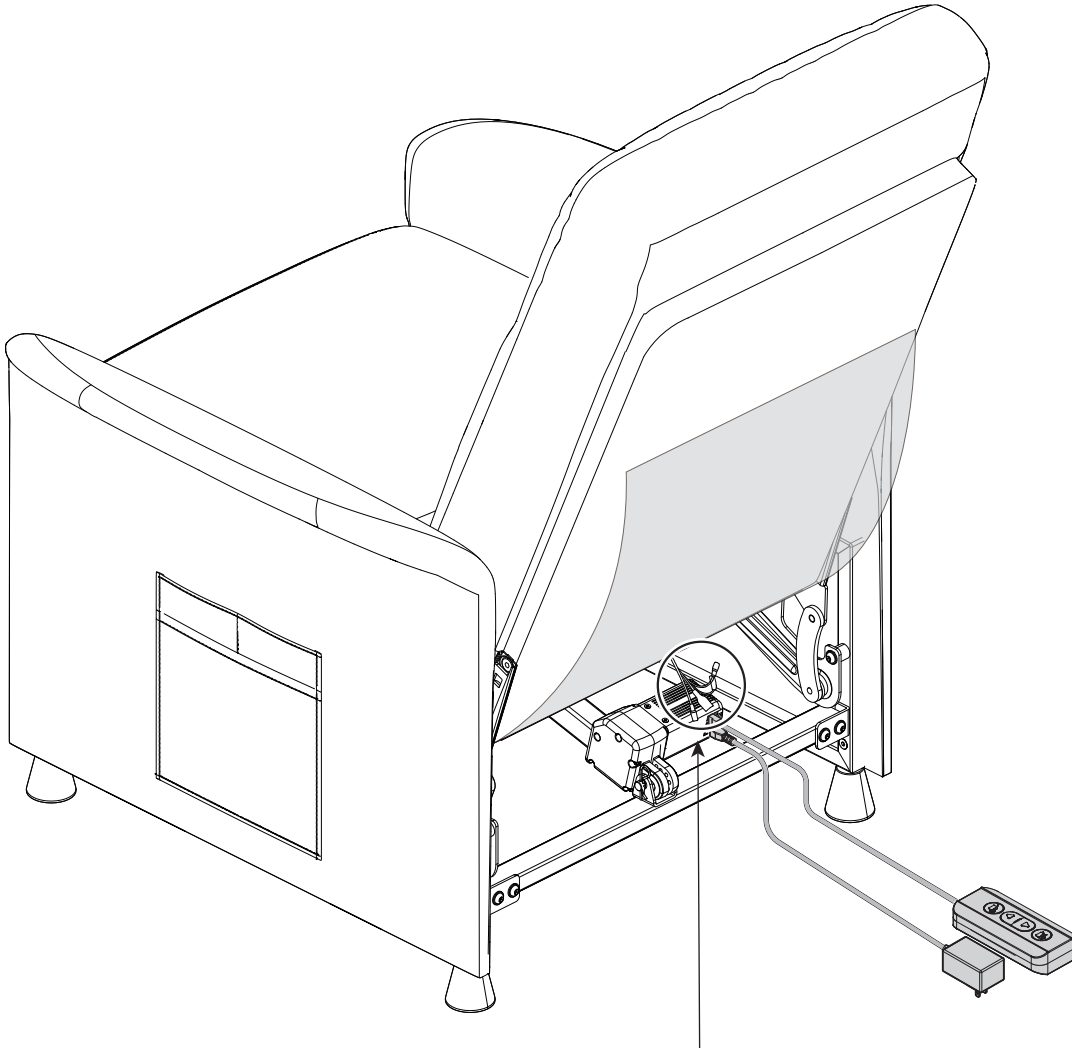
STEP 7 :Turn the sofa upside down, plug in the remote control and the power supply.



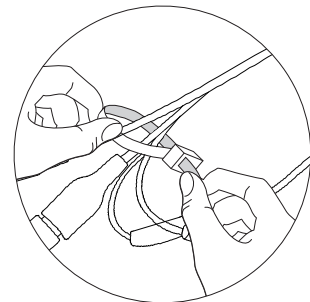
STEP 8 :Insert the back into the left and right inserts on both sides.



STEP 9 :Plug in massage controller and power supply.

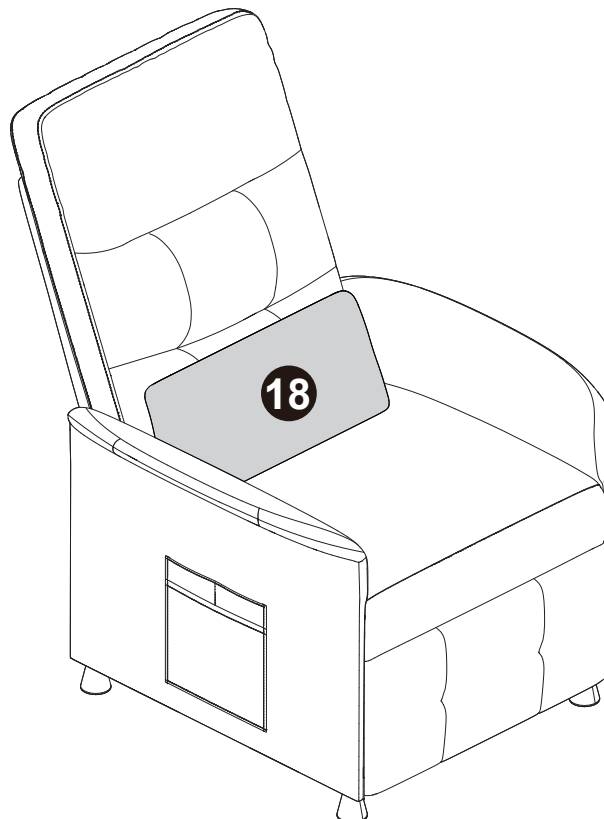
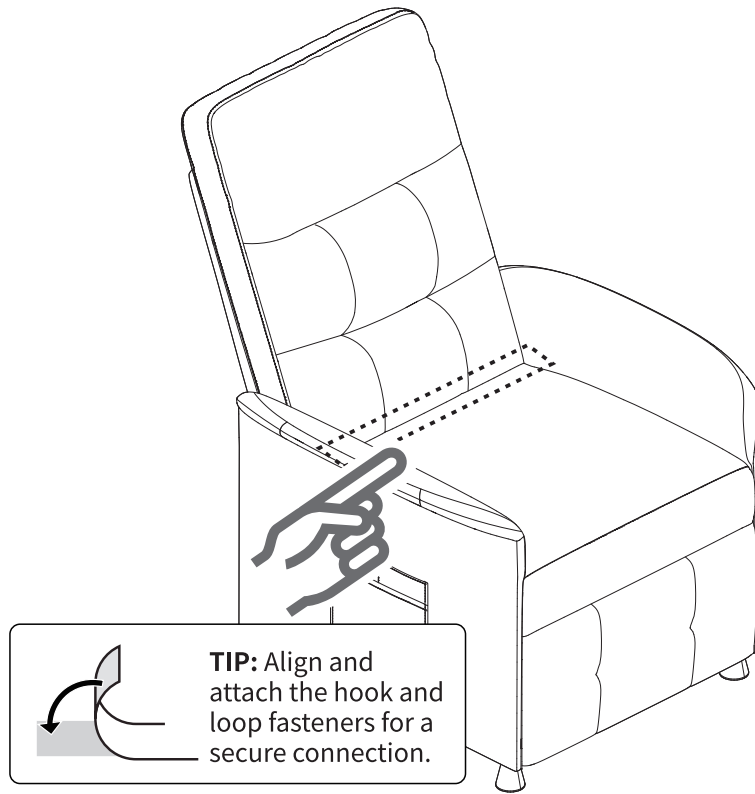


Massager Power



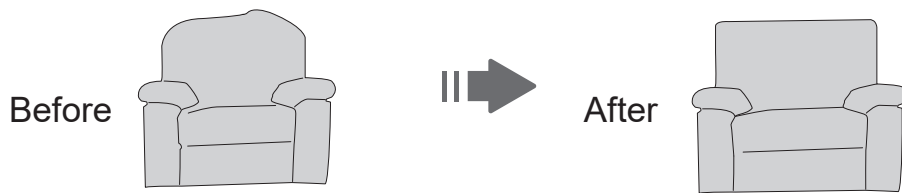
Cable management

STEP 10 :Attach the Velcro strips to the back of the seat cushion and the underside of the backrest, and place the cushion inside.



THE SOFA IS TIDIED UP BEFORE USE

The sponge requires rebound time after compression, which can be patted to correct the position and accelerate rebound.



①



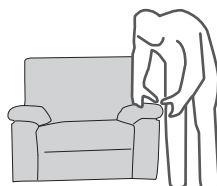
②



③

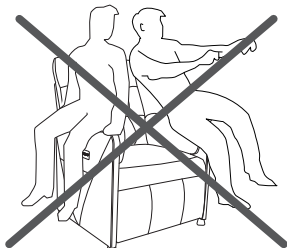
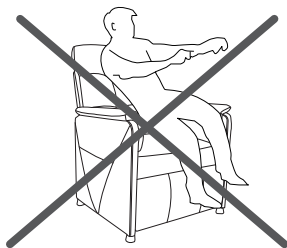
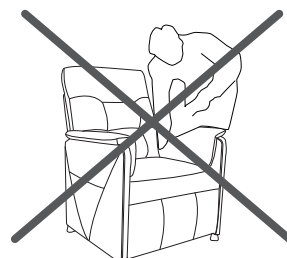
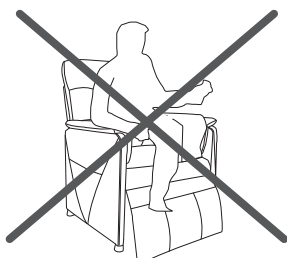
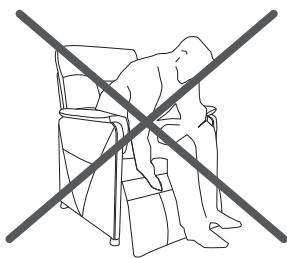


④

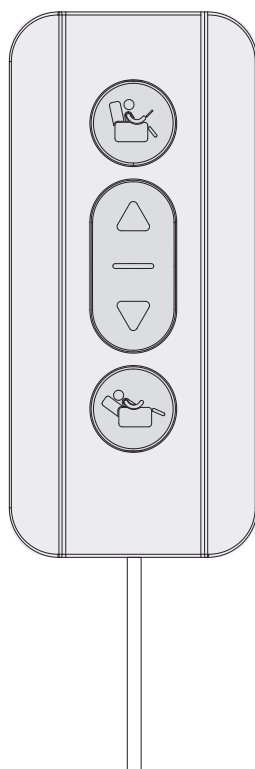


ATTENTION



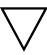



ERROR EXAMPLE



MANUAL CONTROLLER INSTRUCTIONS



Operating Instructions:

1. Press the “” button to fully recline the sofa with one-touch operation.
2. Press and hold the “” button to gradually raise the sofa to the reclined position.
3. Press and hold the “” button to gradually return the sofa to the seated position.
4. Press the “” button to fully return the sofa to the seated position with one-touch operation.
5. Reset Function: Press and hold both the “” and “” buttons for 5 seconds to automatically reset the sofa.

Note: Do not place your hands or body between the backrest and the seat while adjusting the sofa.

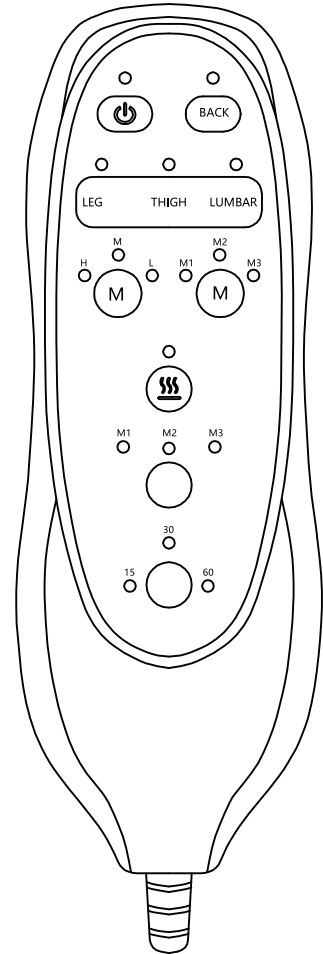
MANUAL CONTROLLER INSTRUCTIONS

Voltage parameters:

1. Voltage: AC100-240V DC12V
2. Current: 1.0A
3. Power: 29.0W
4. Voltage Grade: Class III
5. Frequency: 50-60Hz

PRODUCT FEATURES

1. Heating massage and temperature three-gear adjustment: M1-M2-M3
2. Eight vibration motors
3. Three massage modes
4. Three massage intensities
5. Four massage zones, each zone can be operated individually
6. The default timing is 15, 30 and 60 minutes



HOW TO USE

1. Insert the adapter jack into the socket on the back of the massage chair, then plug the adapter into a wall outlet.
 2. Turn the unit on by pressing the 'POWER' button once – the LED will illuminate when powered on.
 3. Turn on the massage for the zone you desire by pressing the 'BACK', 'LUMBAR', 'THIGH' or 'LEG' button. LED will illuminate the zone activated. To turn off a zone, press the button again.
 4. To choose a massage mode, press the 'MODE' button.
To change modes, press the 'MODE' button until the LED for the desired mode illuminates.
PULSE: For deep tapping massage
PRESS: Provides rapid tapping massage
WAVE: For a gradual, side-to-side vibrating massage
 5. Press the 'INTENSITY' button to change the massage intensity.
The HIGH or LOW LED will illuminate for the intensity chosen.
- NOTE: Stop using immediately if you feel any discomfort or pain.
6. The massage chair includes an auto shut-off feature.
 7. Do not use this chair continuously for more than 60 minutes.

IMPORTANT SAFETY INSTRUCTIONS

When using electrical appliances, always follow basic safety precautions, including the following:

1. Use this product on a 12V circuit. Make sure the product is connected to an outlet that has the same configuration as the plug.
2. After use and before cleaning, unplug the product from the power source.
3. Do not reach for the product if it has fallen into water. Unplug immediately.
4. Never leave the product unattended when plugged in. When not in use and before adding or removing parts, unplug the product.
5. Do not use outdoors.
6. Do not carry the product by its power cord.
7. Keep the cord away from heated surfaces.
8. Supervise small children when using the product near them.
9. Ensure children do not play with this product.
10. Do not operate where aerosol (spray) products are being used or where oxygen is being administered.
11. To disconnect, push the 'POWER' button to the 'OFF' position, make sure all functions have stopped and remove the plug from the outlet.
12. Only use this appliance for its intended purpose as described in this manual. Do not use attachments which are not provided with the unit.

HEALTH CAUTION

1. If you have any concerns regarding your health, consult your doctor before using this product.
2. Individuals with pacemakers should not use this product.
3. If you experience muscle or joint pain for long periods, stop using the product and consult your doctor.

MAINTENANCE INSTRUCTIONS

TO STORE:

1. Place the product in its original box or a dry and cool place. Keep the product away from sharp or pointed objects that could cut or puncture the fabric.
2. Do not wrap the power cord around the unit. Do not hang the unit by its power cord.

TO CLEAN:

1. Before cleaning, unplug the appliance from the power source and wait for it to cool.
2. Do not clean with water or other liquids. Wipe the fabric with a damp sponge or cloth, using a mild detergent. Pat dry with a clean, dry cloth.
3. Do not use abrasive cleaners, brushes, gasoline, kerosene, glass /furniture polish, paint thinner or water hotter than 120 °C to clean the unit.