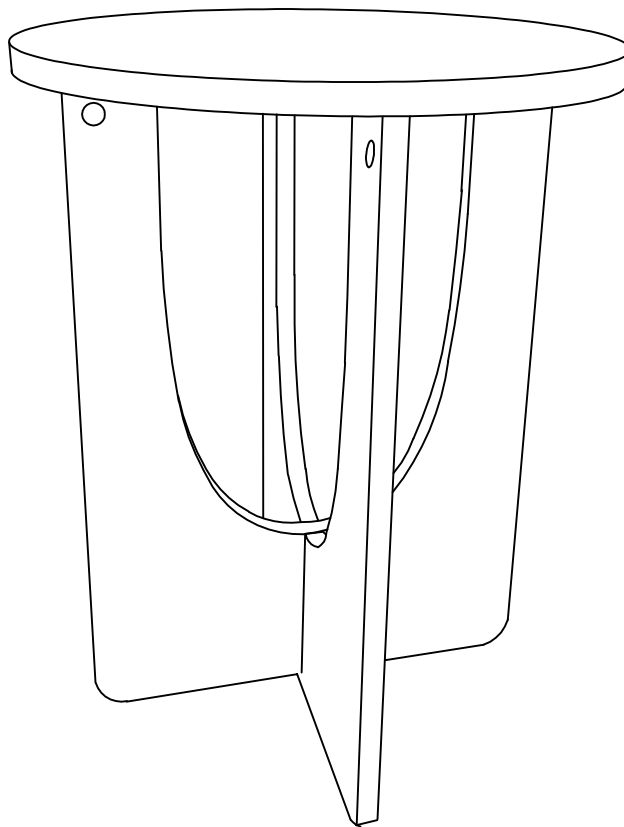


ASSEMBLY INSTRUCTIONS

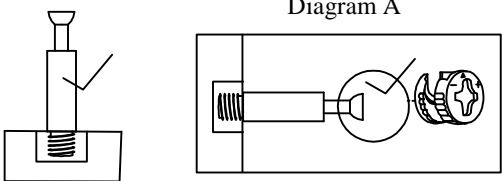


NOTE TO CUSTOMERS:

- For ease and speed of assembly we recommend that before you commence each step of the assembly that you identify all the parts required to complete that step.
- We recommend that where possible you allow sufficient space to assemble the item as close as possible to the place where it will be once assembled.
- For the protection of your furniture we recommend that the product is placed on protected surfaces during assembly to prevent any damage.
- During assembly do not over tighten, as this may damage the product.
- Please ensure you retain all the product packaging until the item completely assembled.
- Please periodically check all fittings and re-tighten as necessary.
- It is recommended that this item should be assembled by two adults.

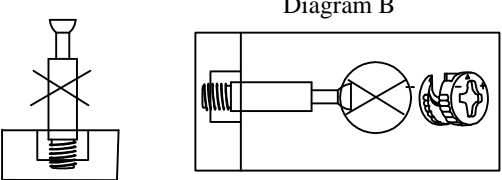
To insert a cam lock: (Please read below instructions before assembling)

Diagram A



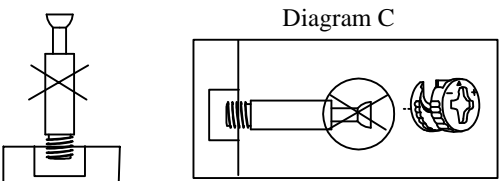
1. Insert cam screw into hole as shown in diagram A .

Diagram B



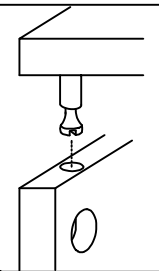
Make sure not to insert the cam screw:
Too deep as shown in figure B as this will cause the cam screw to be misaligned and unable to interlock properly.

Diagram C

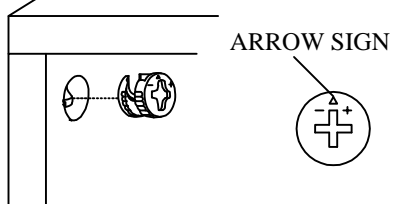


Also avoid inserting the cam screw too close to the surface of the hole as shown in figure C, as this will cause the cam lock to be too loose, and not interlock properly.

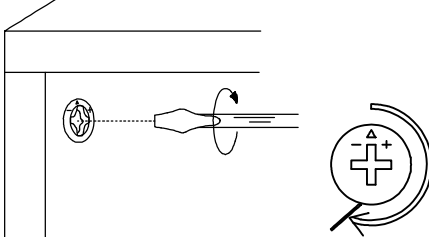
2. Connect the panels together.



3. When inserting the cam lock make sure the arrow of the cam lock faces the cam screw.

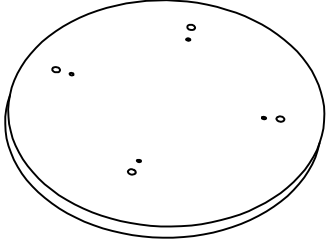
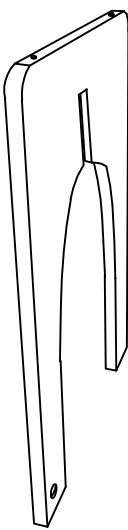
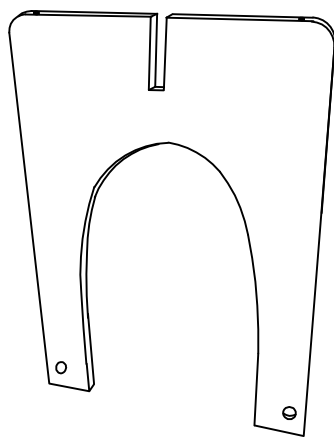


4. To tighten the cam lock turn the cam lock clockwise 90-180 degree or until the arrow is facing opposite the place cam lock was inserted.





NOTE: DO NOT USE AN AUTOMATIC SCREWDRIVER TO TIGHTEN CAM LOCKS.

Part List

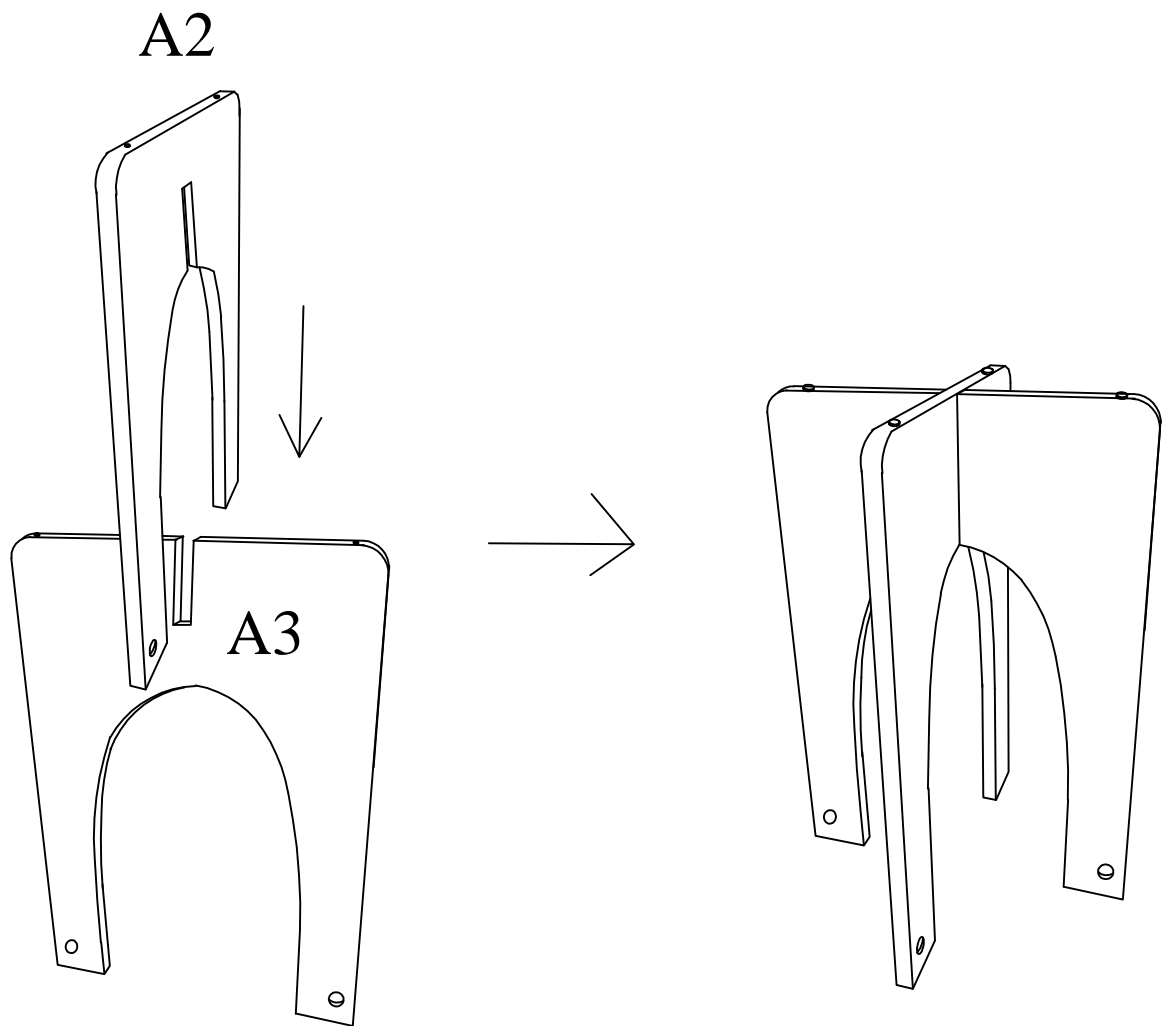
<p>A1 Quantity of 1</p> <div style="text-align: center; margin: 20px 0;">  </div> <p>Top Panel</p>	<p>A2 Quantity of 1</p> <div style="text-align: center; margin: 20px 0;">  </div> <p>Leg</p>	<p>A3 Quantity of 1</p> <div style="text-align: center; margin: 20px 0;">  </div> <p>Leg</p>
--	--	--

Hardware List

<p>B1 Quantity of 4</p> <div style="text-align: center; margin: 20px 0;">  </div> <p>Camlock</p>	<p>B2 Quantity of 4</p> <div style="text-align: center; margin: 20px 0;">  </div> <p>Wood Dowel</p>		
--	---	--	--

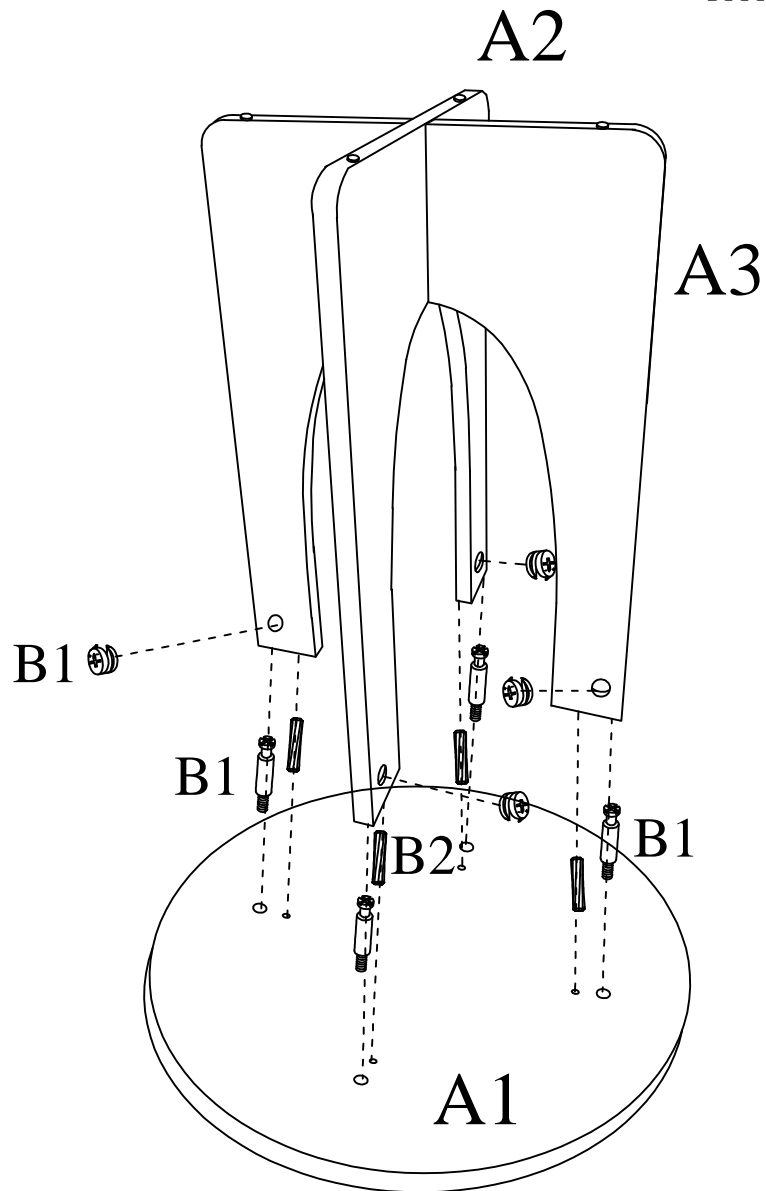
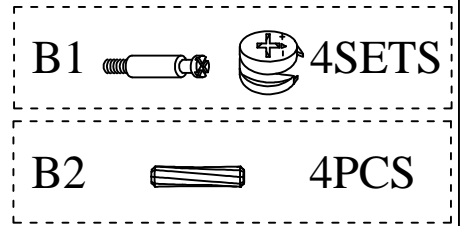
Assembly instructions

Step 1



Assemble Legs A2 & A3 as shown above.

Step 2



Assemble Legs A2&A3 to Top Panel A1 using Cam-locks B1 & Wood Dowel B2 as shown above.