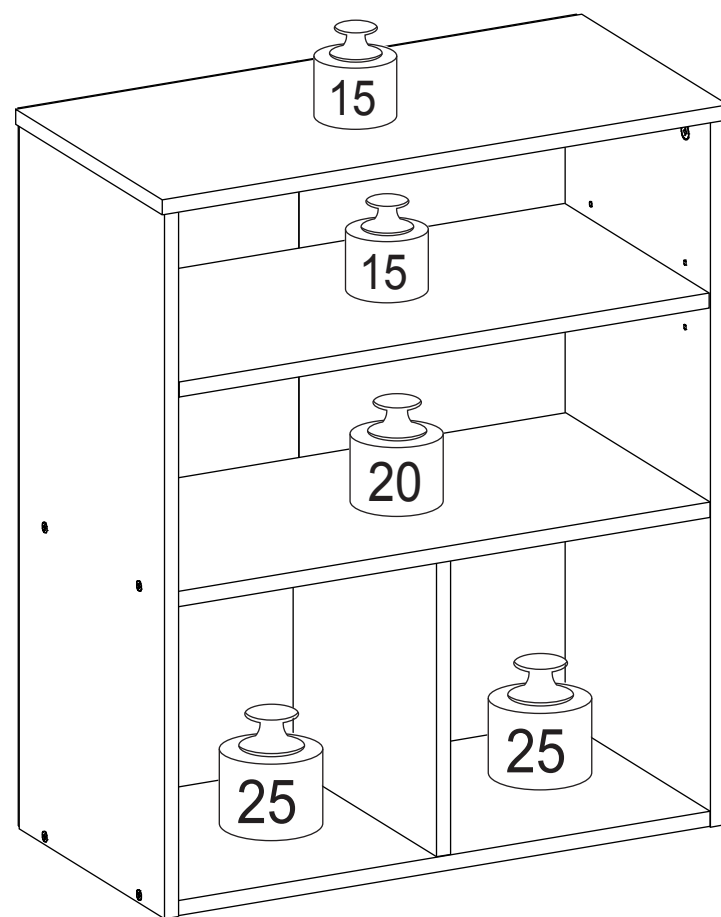


## Recommended Maximum Weight



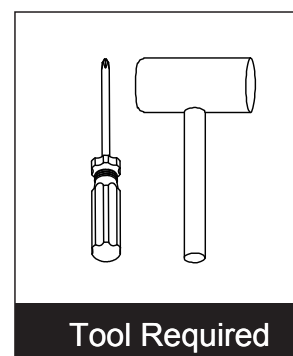
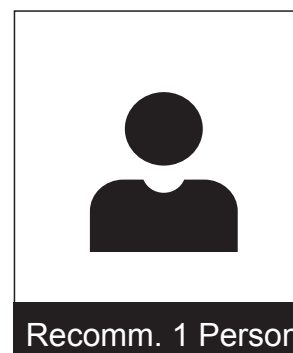
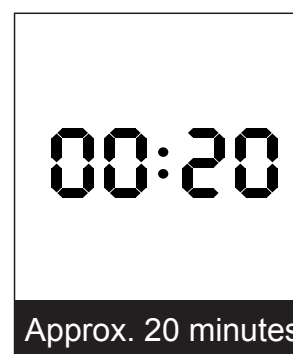
\*Unit in Pound(lbs)

### **WARNING:**

>This unit has been designed to support the maximum loads shown. Exceeding these load limits could cause sagging, instability, product collapse, and/or serious injury.

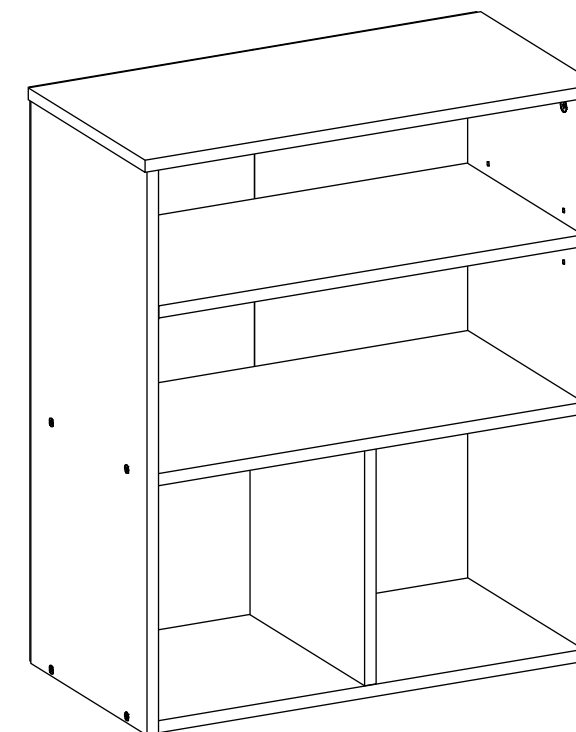
>DO NOT allow children to climb on unit.

> Put heavier items on lower shelves.








## **Assembly Instruction**

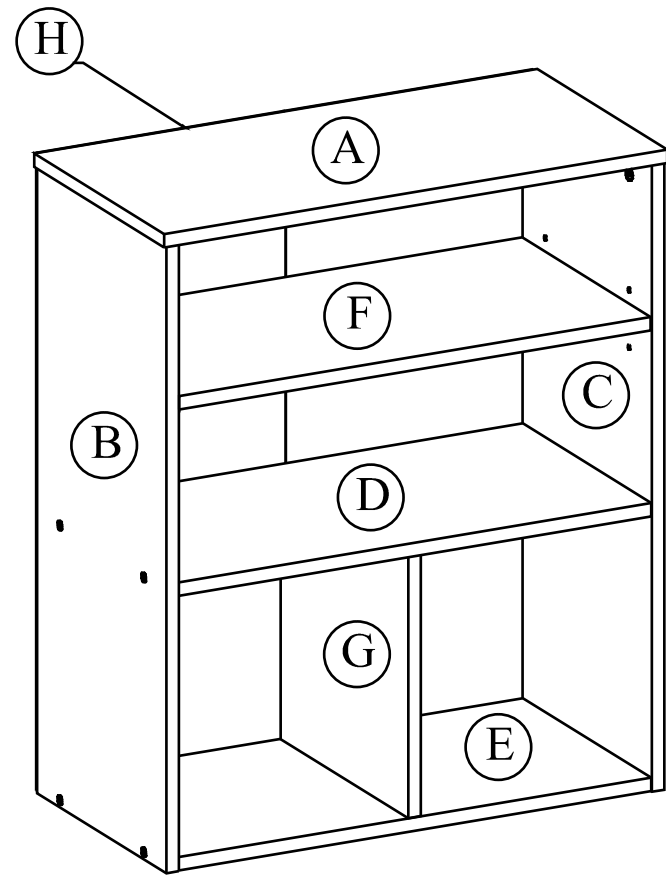
3 Tier Display Bookcase



# HARDWARE & PARTS LIST

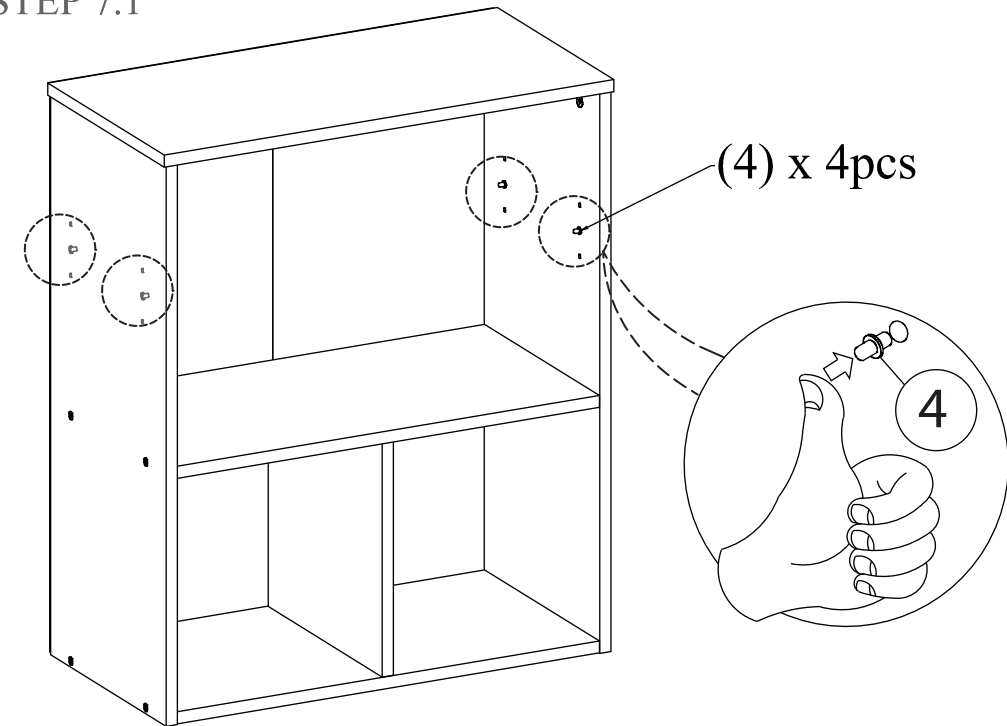
NO	HARDWARE LIST	QTY
1	MINIFIX  1a 1b	4sets
2	LONG SCREW 	8pcs
3	DOWEL 	4pcs
4	SHELF SUPPORT 	4pcs
5	POWER PIN 	18pcs

NO	PARTS LIST	QTY
A	TOP PANEL	1pc
B	LEFT SIDE PANEL	1pc
C	RIGHT SIDE PANEL	1pc
D	FIXED SHELF PANEL	1pc
E	BOTTOM PANEL	1pc
F	ADJUSTABLE SHELF PANEL	1pc
G	CENTER PANEL	1pc
H	BACK PANEL	1pc

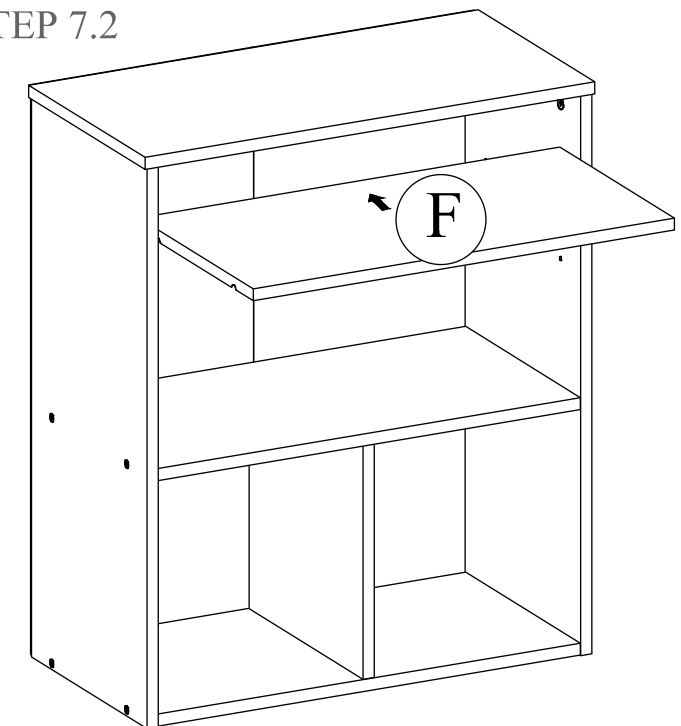


# STEP 7

## STEP 7.1



## STEP 7.2

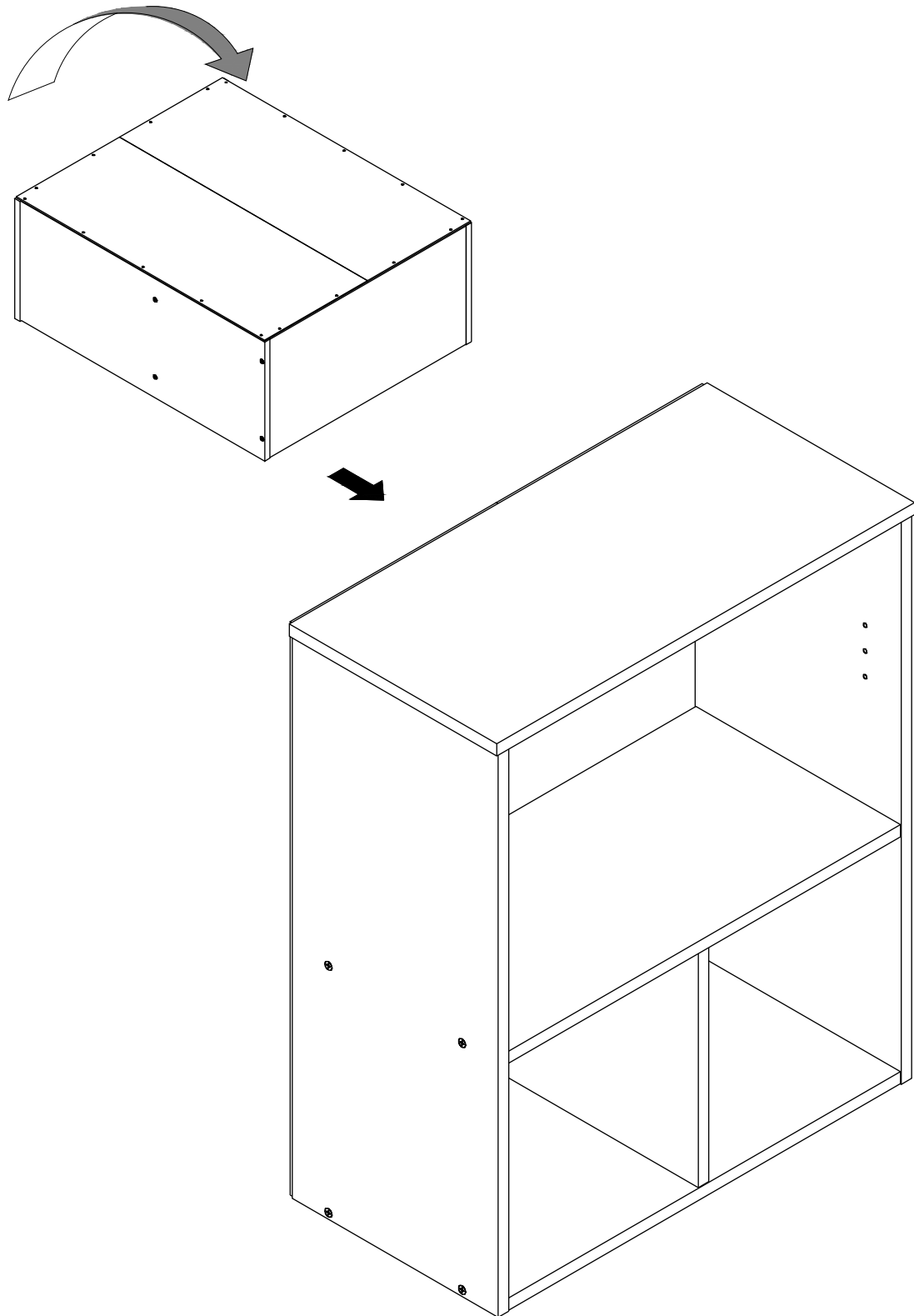


### USEFUL HINTS BEFORE YOU START:

1. Read each step carefully before starting.
2. It is important that each step is performed in correct order to avoid difficulties.
3. Identify, sort and count the parts before assembly.
4. Assemble your furniture on packaging cardboard to prevent scratch or damage.
5. Clean the product with mild cleanser using soft damped cloth. Do not use harsh or abrasive cleanser.
6. Using incompatible hardware might cause damage to product.

# STEP 6

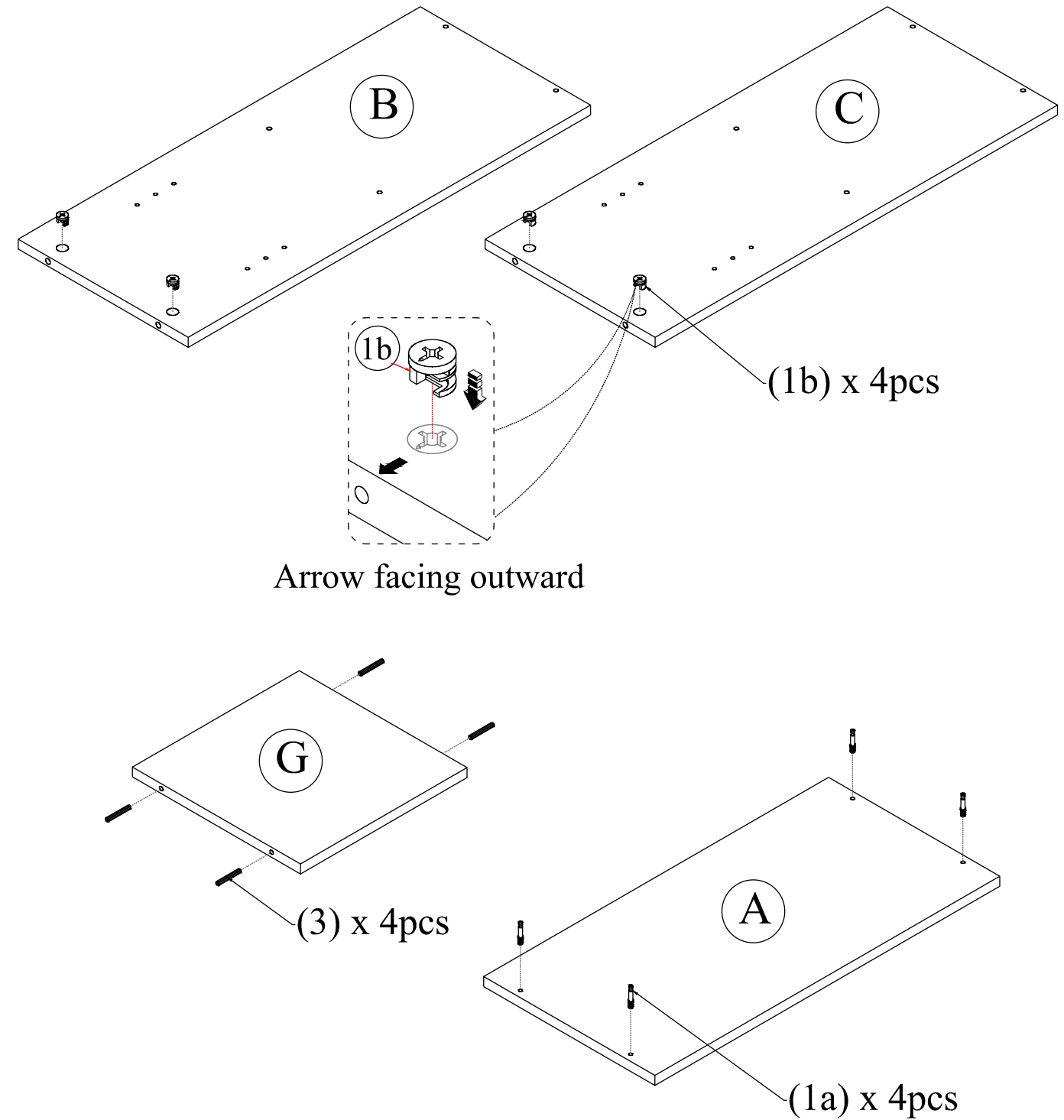
TURN 90°



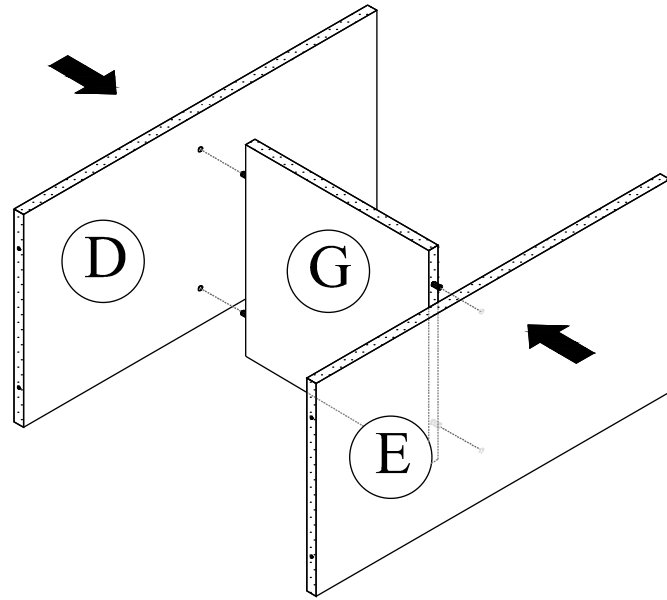
# ASSEMBLY INSTRUCTIONS

BEFORE YOU BEGIN, PLEASE READ ASSEMBLY INSTRUCTIONS CAREFULLY. FOLLOW THEM STEP BY STEP.

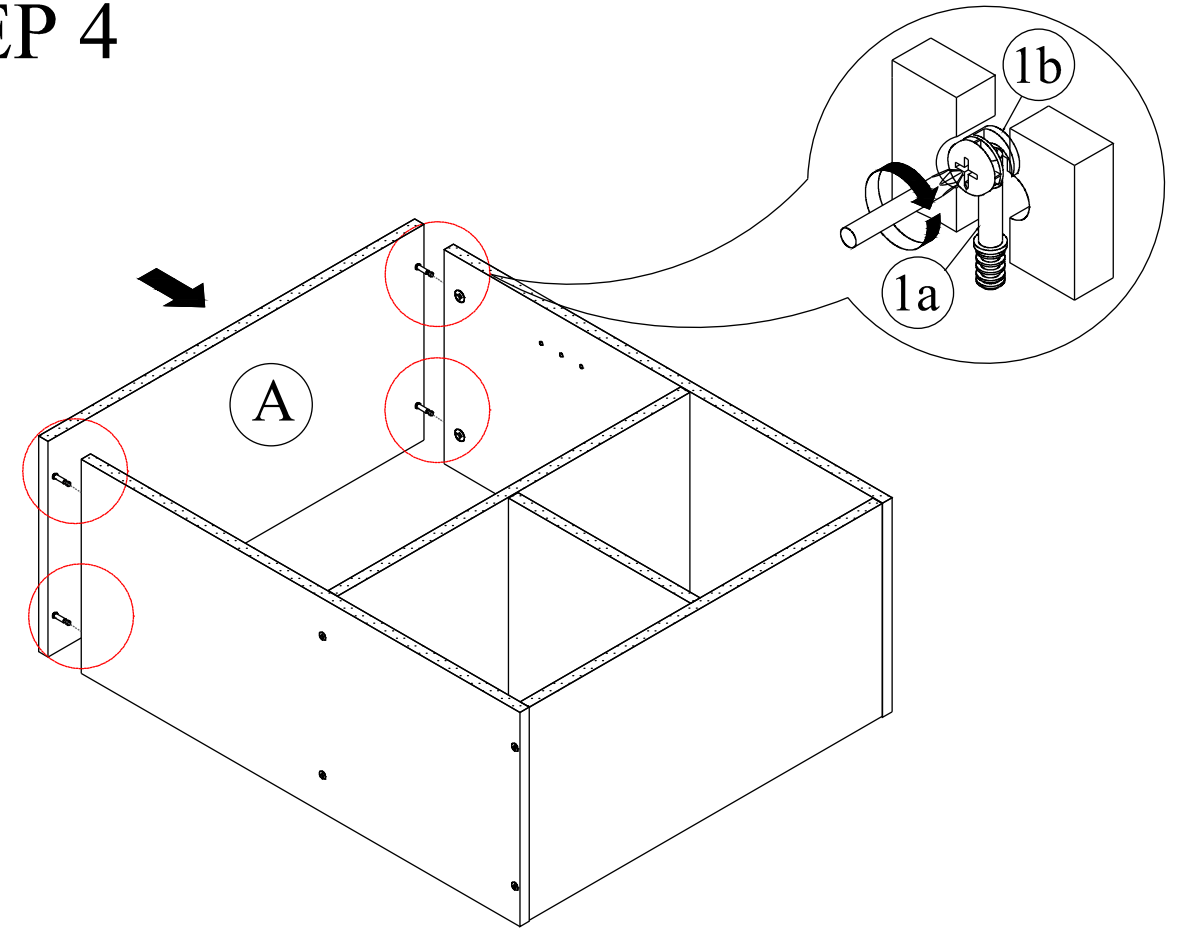
## STEP 1



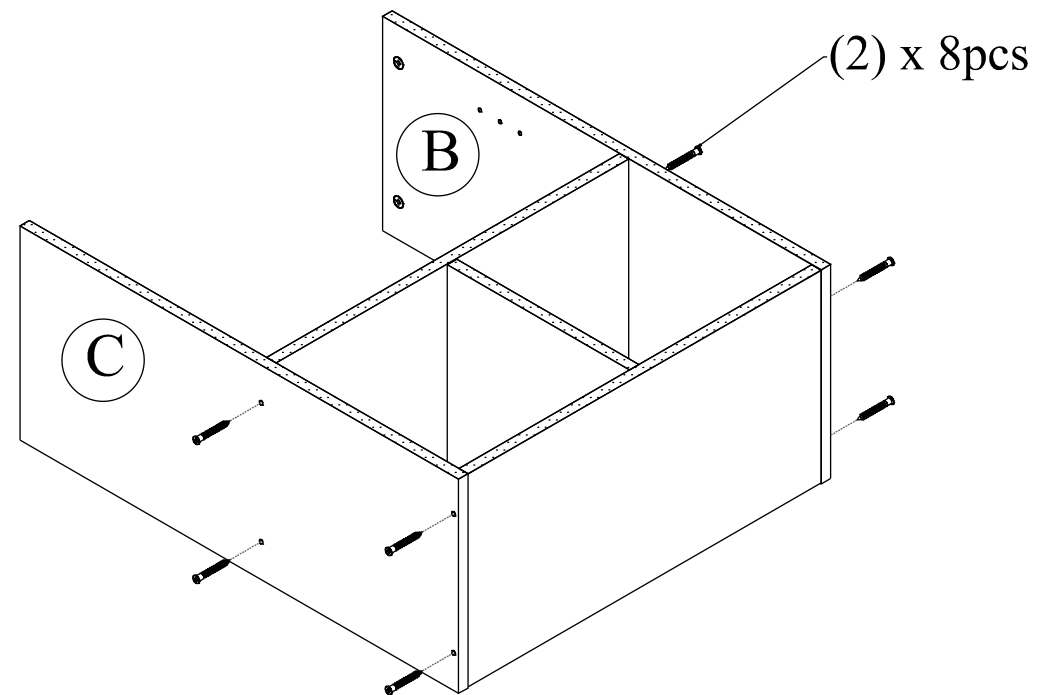
## STEP 2



## STEP 4



## STEP 3



## STEP 5

