

SLAT KIT TWIN

ATLANTIC

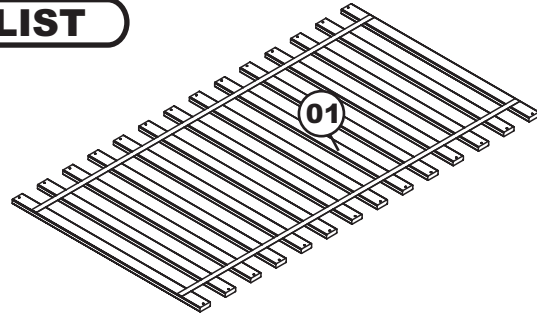
ASSEMBLY INSTRUCTION TWIN

Before assembling your bed slat kit, please read through these instructions carefully and familiarize yourself with the different parts. Please note that you will require a Phillips screwdriver.



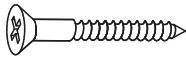
PARTS LIST

01 SLAT KIT 1 SET



NOTE: WE INCLUDE SPARE HARDWARE IN CASE THE WOOD SCREWS ARE DAMAGED DURING ASSEMBLY.

A



1 1/4" Wood screw - 28 pcs Spare - 2 pcs

HARDWARE

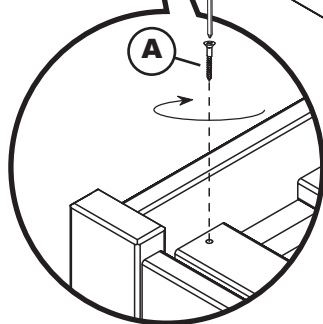
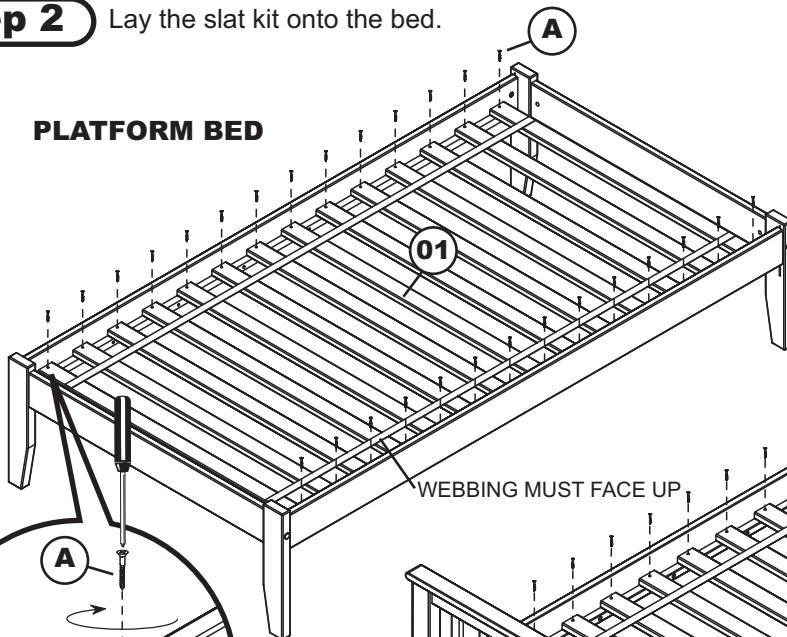
Step 1

Assemble bed frame or bunk bed according to assembly instructions.

Step 2

Lay the slat kit onto the bed.

PLATFORM BED



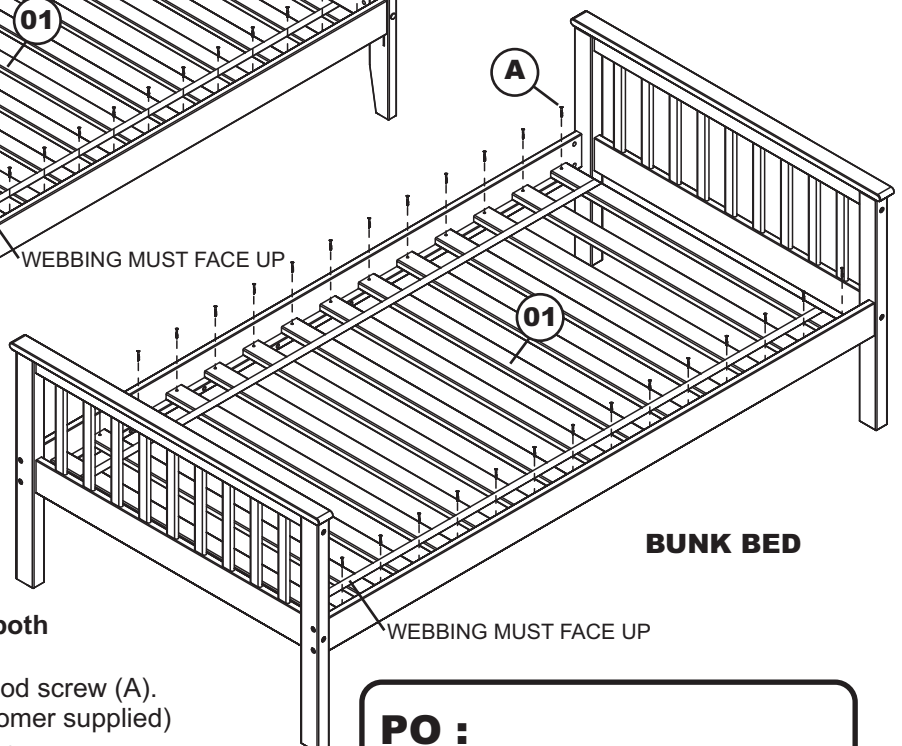
Be sure to align slat kit evenly with both ends of side rail.

Screw slat kit (01) to side rail, using wood screw (A). Tighten with Phillips screwdriver. (Customer supplied) Be sure the space between slats is even.

NOTE: WEBBING MUST FACE UP



BUNK BED



PO :