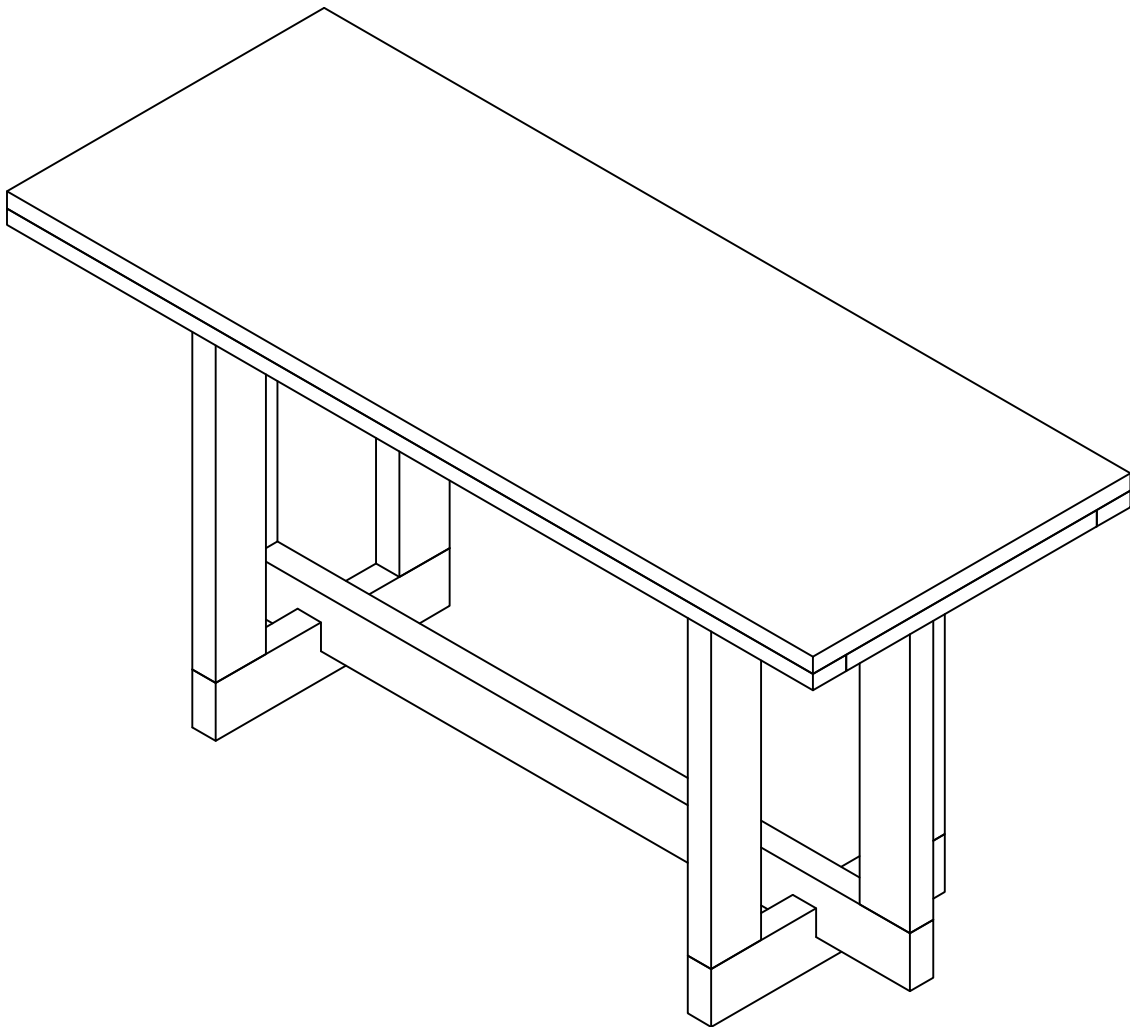


ASSEMBLY INSTRUCTIONS

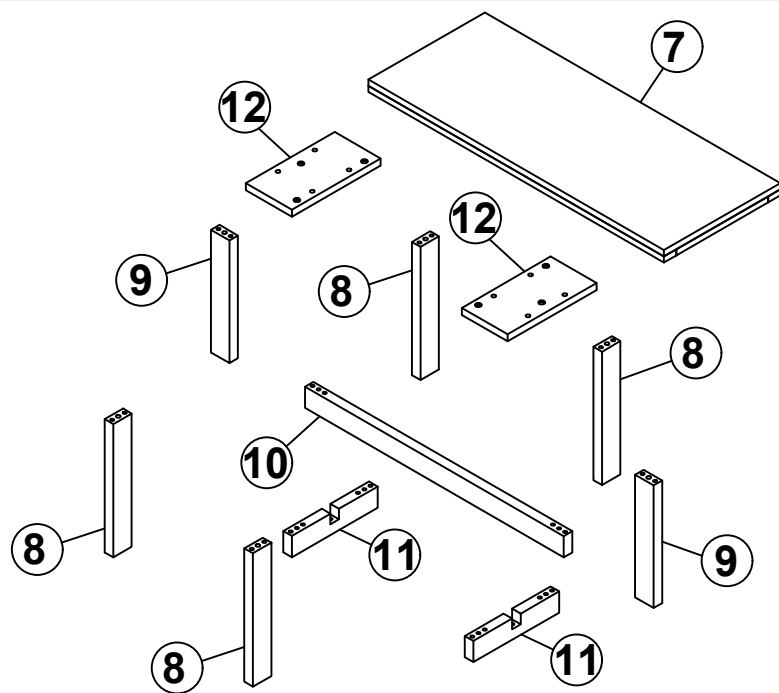
DINING BENCH

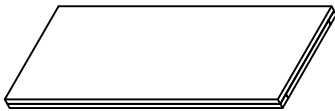

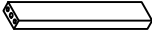

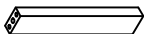

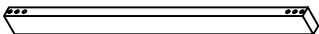

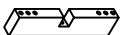

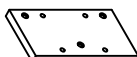
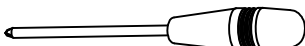


WF301142

IMPORTANT NOTE :

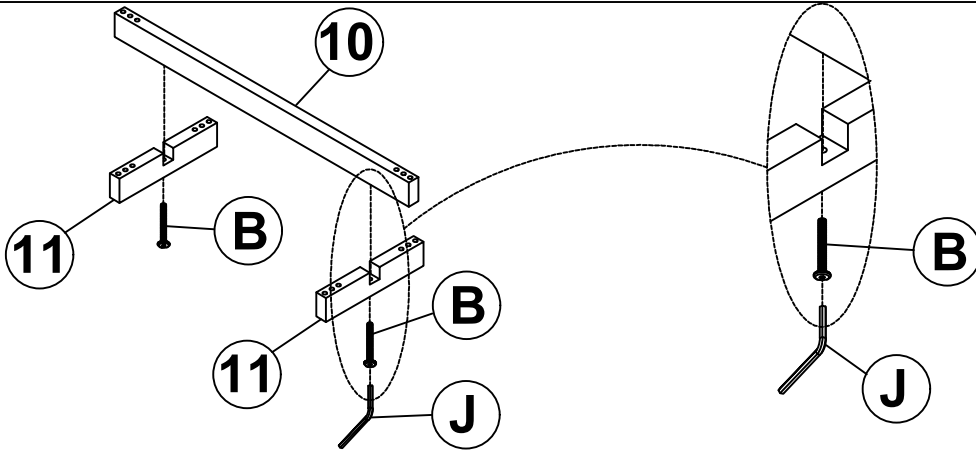
- ① PLACE ALL PARTS ON A CLEAN AND SMOOTH SURFACE SUCH AS A RUG OR CARPET TO AVOID THE PARTS FROM BEING SCRATCHED.
- ② BEFORE YOU BEGIN , KINDLY FOLLOW THE ASSEMBLY INSTRUCTIONS STEP BY STEP.
- ③ DO NOT TIGHTEN ALL SCREWS AND BOLTS UNTIL THE BENCH IS FULLY SET-UP



PART LIST FOR ONE BENCH	HARDWARE LIST FOR ONE BENCH
7 	A  Ø5/16" x 80mm BOLT (6pcs)
SEAT BENCH (1pc)	
8 	B  Ø5/16" x 50mm BOLT (2pcs)
LONG BENCH LEGS (4pcs)	
9 	C  Ø5/16" x 35mm BOLT (14pcs)
SHORT BENCH LEGS(2pcs)	
10 	D  Ø10" x 30mm WOODEN PEGS (24pcs)
STRETCHER (1pc)	
11 	J  4 x 58mm ALLENKEY (1pc)
BASE (2pcs)	
12 	
CROSSBAR (2pcs)	ASSEMBLY TOOLS REQUIRED (NOT INCLUDED)

ASSEMBLY INSTRUCTIONS

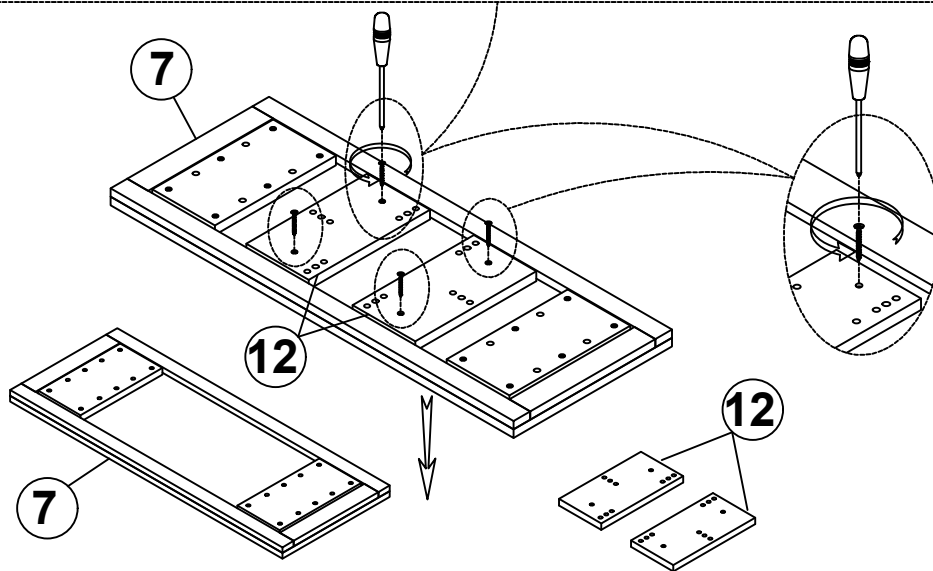
Step 1



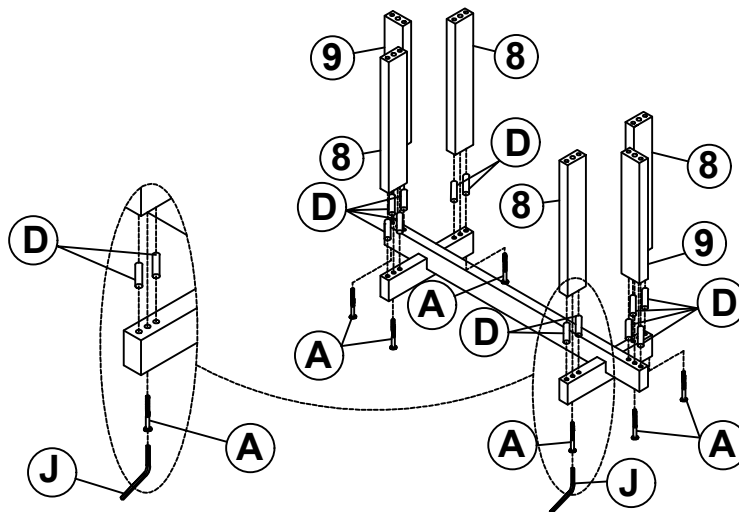
J	4x58		1PC	B	5/16x50		2PCS
----------	------	--	-----	----------	---------	--	------

Step 2

Note : Unscrew the screws in this position and use number 12 for assembly.



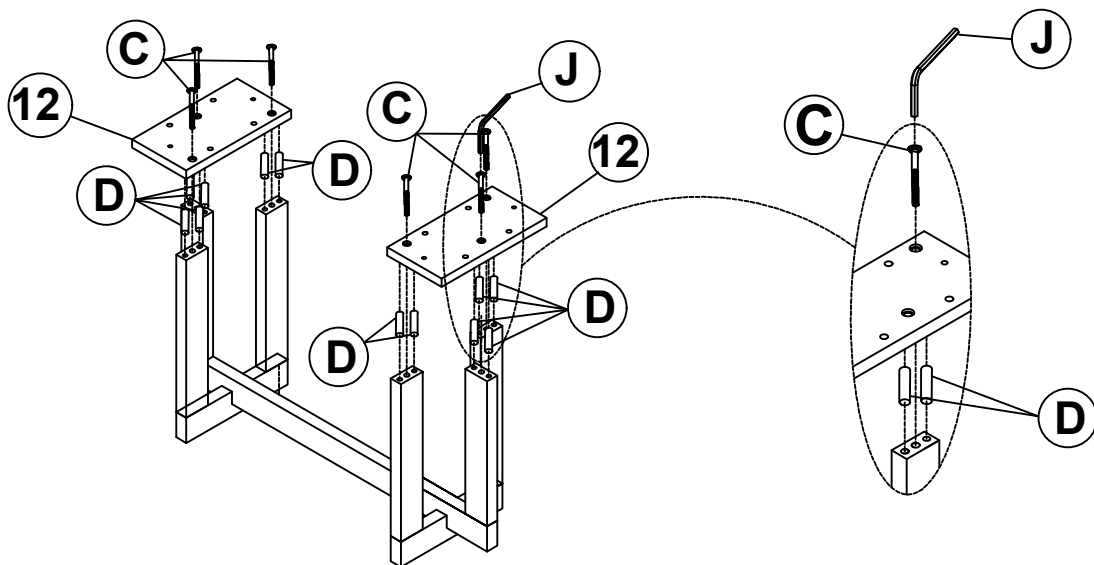
Step 3






D	Ø10x30		12PCS				
J	4x58		1PC	A	5/16x80		6PCS

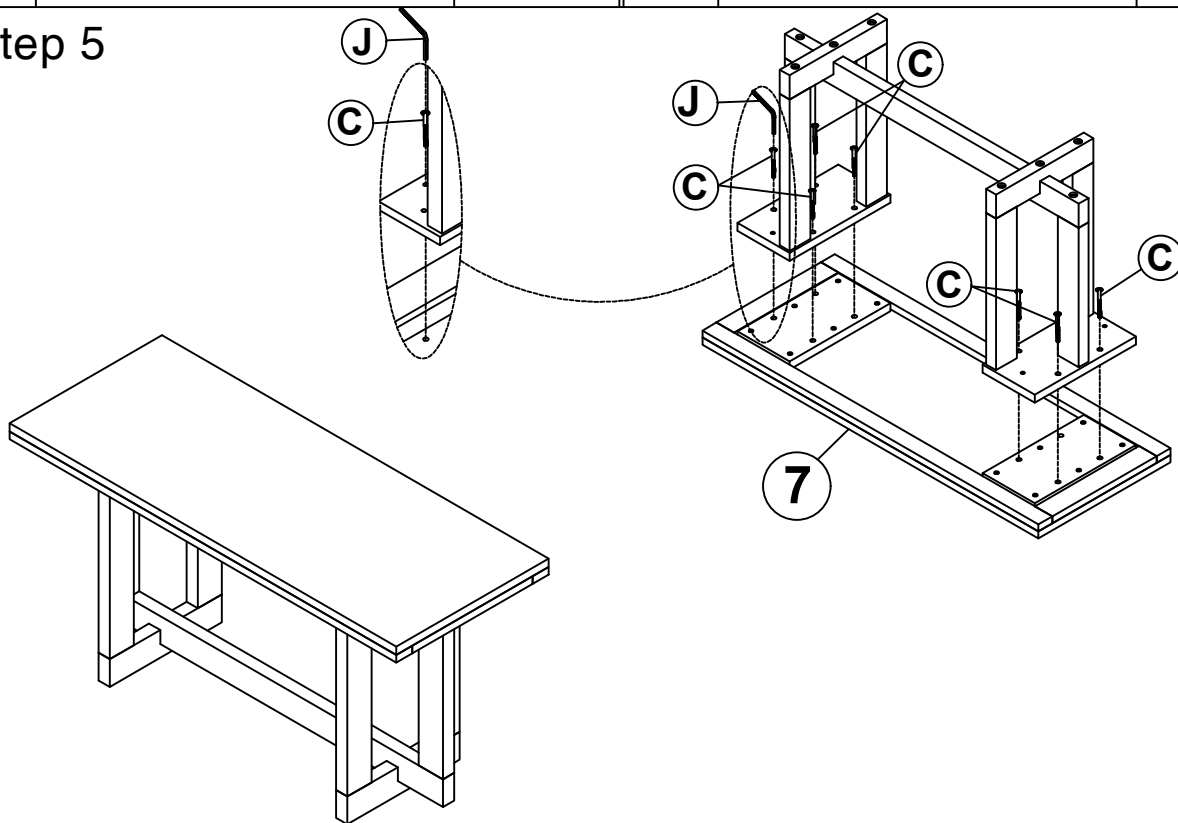
ASSEMBLY INSTRUCTIONS


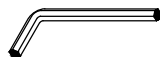
Step 4



J	4x58		1PC			
C	5/16x35		6PCS	D	Ø10x30	 12PCS

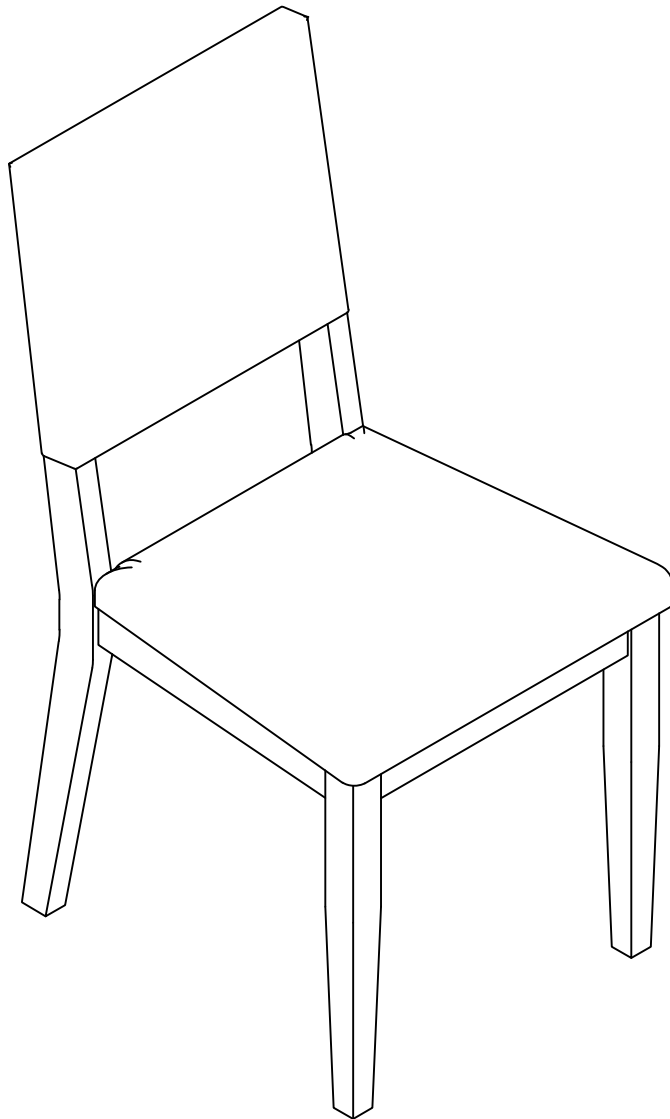
Step 5



C	5/16x35		8PCS	J	4x58	 1PC
----------	---------	---	------	----------	------	---

ASSEMBLY INSTRUCTIONS

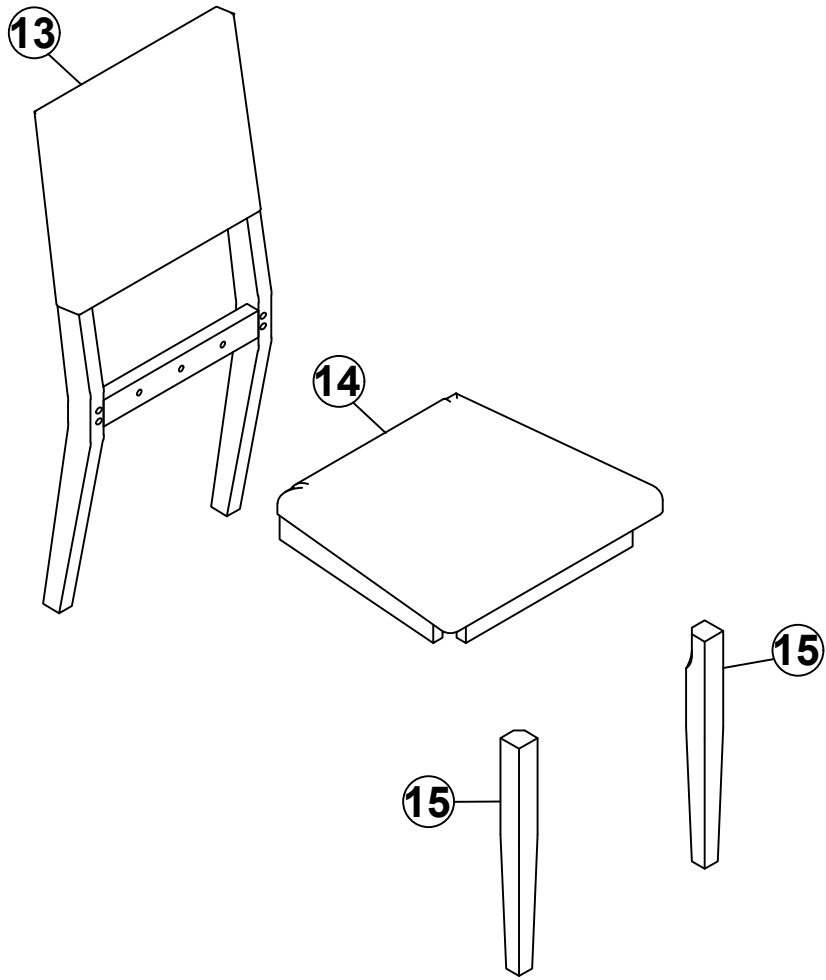
DINING CHAIR



WF301142

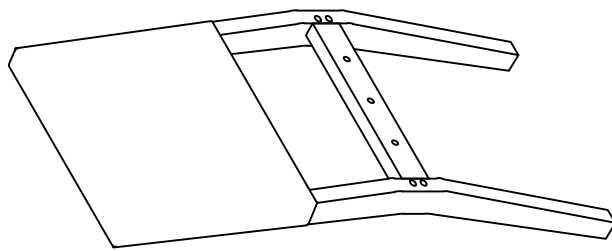
IMPORTANT NOTE :

- 1 PLACE ALL PARTS ON A CLEAN AND SMOOTH SURFACE SUCH AS A RUG OR CARPET TO AVOID THE PARTS FROM BEING SCRATCHED.**
- 2 BEFORE YOU BEGIN , KINDLY FOLLOW THE ASSEMBLY INSTRUCTIONS STEP BY STEP.**
- 3 DO NOT TIGHTEN ALL SCREWS AND BOLTS UNTIL THE CHAIR IS FULLY SET-UP**



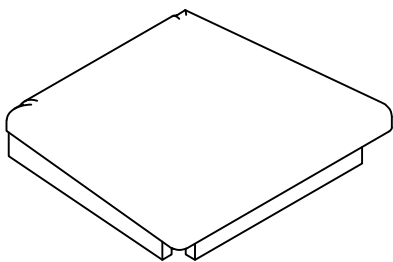
Part List For One Chair

13



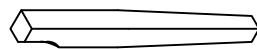
BACK FRAME (1pc)

14



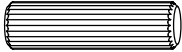


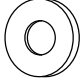

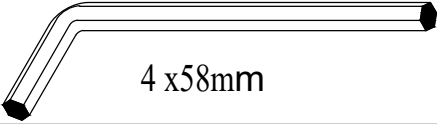

SEAT FRAME (1pc)

15

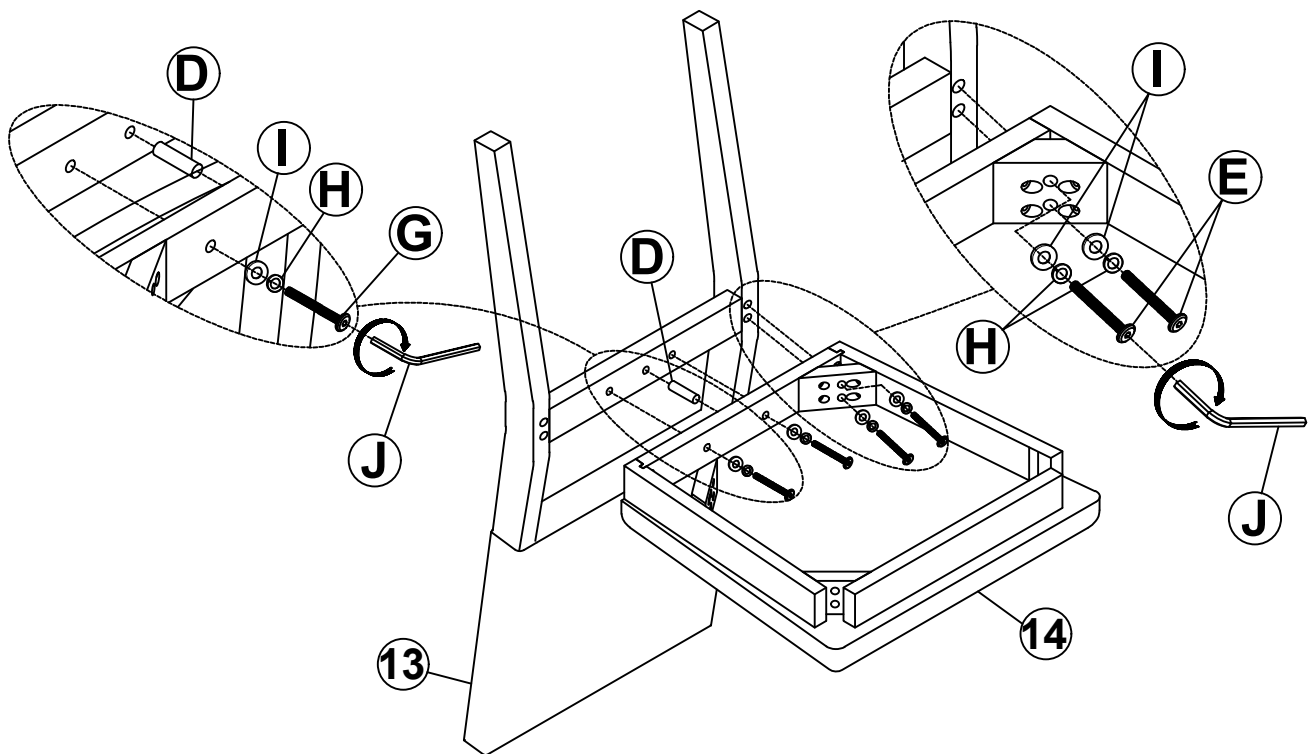







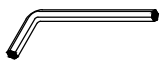
LEGS CHAIR (2pcs)

Hardware List For One Chair

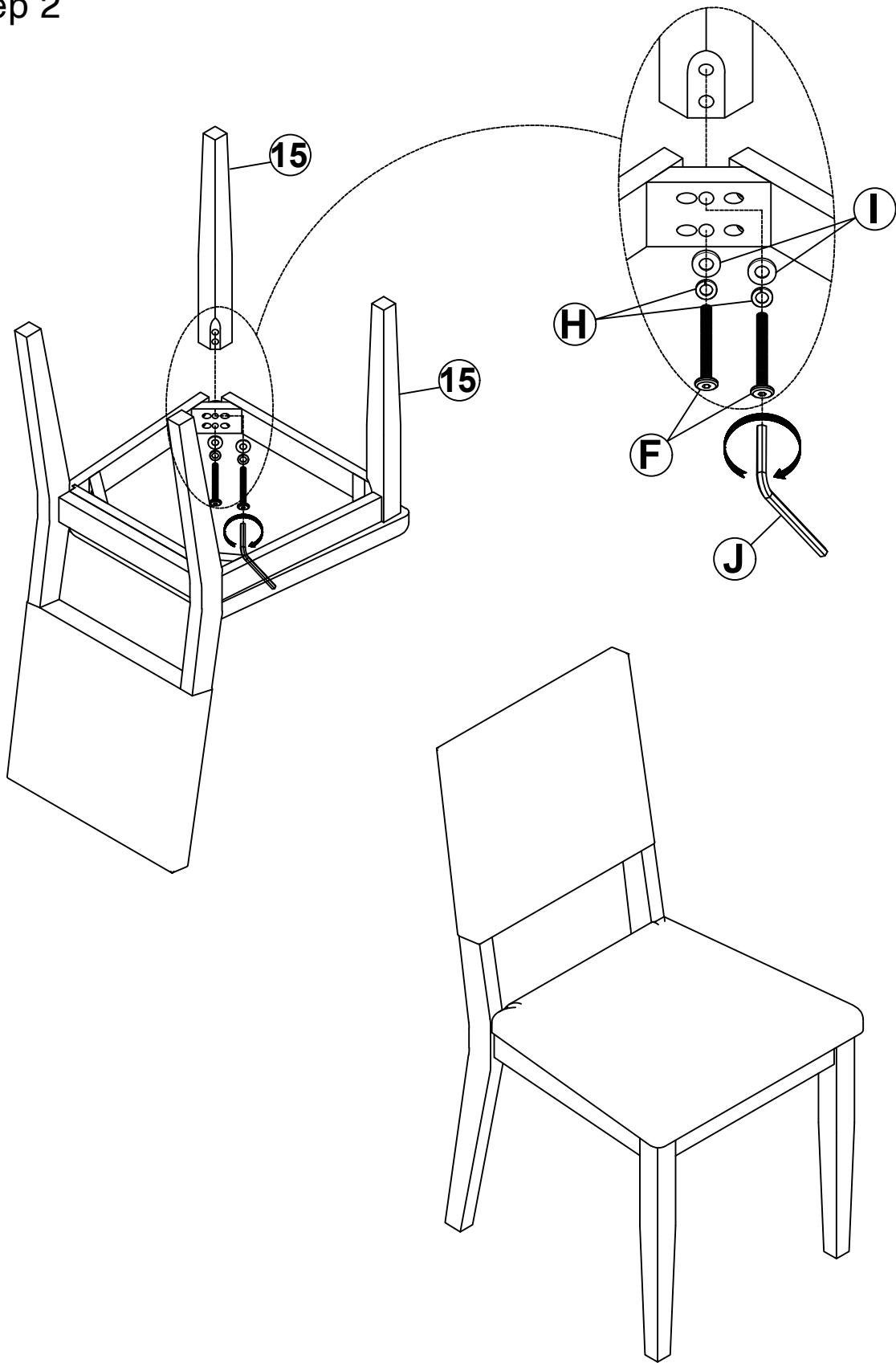
D	 Ø10 x 30mm WOODEN PEGS (1pc)	H	 Ø1/4" x 13mm SPRING WASHER (10pcs)
E	 Ø1/4" x 75mm BOLT (4pcs)	I	 Ø1/4" x 19mm FLAT WASHER (10pcs)
F	 Ø1/4" x 55mm BOLT (4pcs)	J	 4 x 58mm ALLENKEY (1pc)
G	 Ø1/4" x 35mm BOLT (2pcs)		


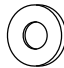


Step 1



D	Ø10x30		1PC	H	Ø1/4"x13		6PCS
E	1/4x75		4PCS	I	Ø1/4"x19		6PCS
G	1/4x35		2PCS	J	4x58		1PC

Step 2



F	1/4x55		4PCS	I	Ø1/4"x19		4PCS
H	Ø1/4"x13		4PCS	J	4x58		1PC