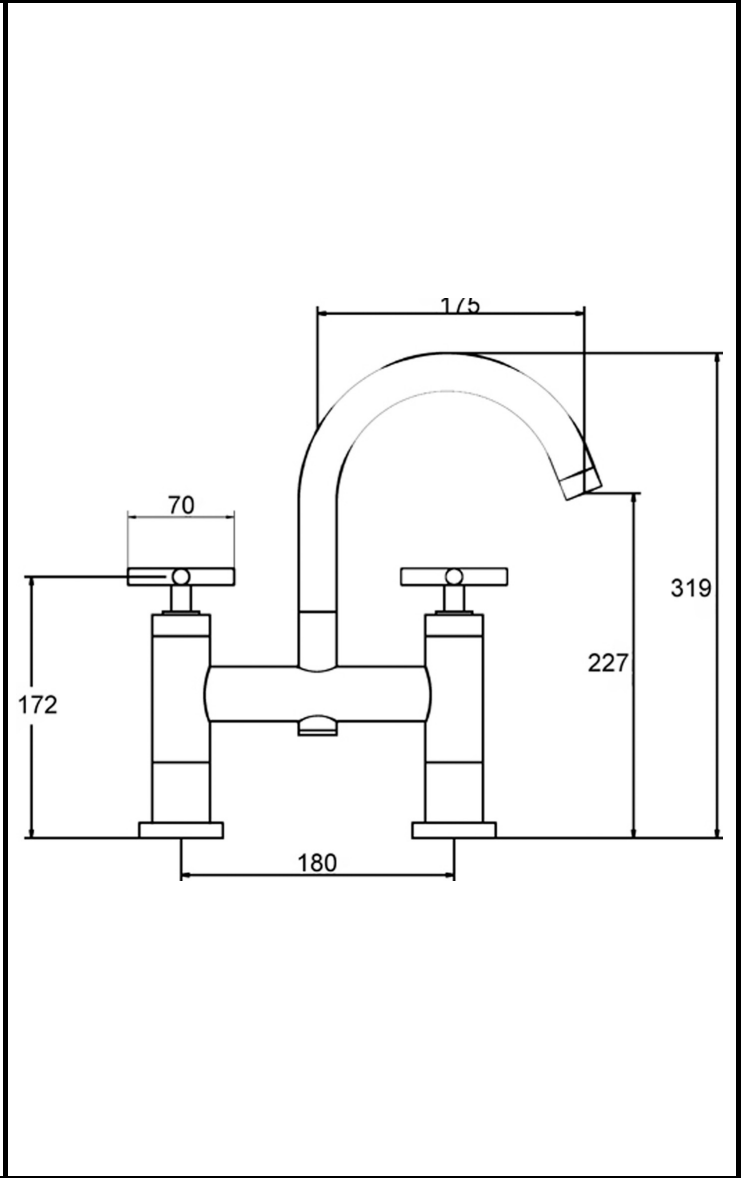


## CUSTOMER DATA SHEET - BRASSWARE

SALES CODE: TEX353

DESCRIPTION: Tec Crosshead Bath Filler Small S Spout



### PRODUCT DIMENSIONS

Height (mm)	Width (mm)	Depth (mm)	Length (mm)	Nett Wgt Kg
319	230	50		3.1

### PACKAGING DIMENSIONS

Height (mm)	Width (mm)	Depth (mm)	Gross Wgt Kg
100	235	265	3.1

### PACKAGING DATA

Box Colour	White Cardboard Box		
Box Qty	1	Label Colour	White Label
Label Size	100 x 50	Label Qty	2

### OUTER BOX DIMENSIONS (If Applicable)

Height (mm)	Width (mm)	Depth (mm)	Length (mm)	Gross Wgt Kg
320	495	295		19
Barcode	5055146198062			

### PRODUCT DETAILS

Country of Origin			
Fitting Instruction	Yes		
Product Material	Brass		
Control Type	Manual		
Waste Included	Waste Not Included		
WRAS Approval	No	Approval No.	N/A
Operating Pressure (bar)	0.2		
Valve/Cartridge Type	1/4 Turn Ceramic Disc		

Colour/Finish	Chrome									
Mount Type	Deck									
Waste Type	Not Applicable									
Flow Rates (Litres Per Min)	0.1 bar	8	0.5 bar	29	1 bar	40	2 bar	48	3 bar	0
Pipe Size	22 mm (3/4" Bsp)									
Pipe Centres	180 mm									