

# ***ASSEMBLY INSTRUCTIONS***



*Fine Furniture for every stage of life*

## **Accent Chair**

REVISION 0 : 01/03/2019  
REVISION 1 : 06/10/2019  
REVISION 2 : 10/17/2019  
REVISION 3 : 03/15/2023  
REVISION 4 : 11/17/2023

# ASSEMBLY INSTRUCTIONS

## ASSEMBLY TIPS:

1. Remove hardware from box and sort by size.
2. Please check to see that all hardware and parts are present prior start of assembly.
3. Please follow attached instructions in the same sequence as numbered to assure fast & easy assembly.



### WARNING!

1. Don't attempt to repair or modify parts that are broken or defective. Please contact the store immediately.
2. This product is for home use only and not intended for commercial establishment.

ASSEMBLY TIME

10 MINUTES

## PARTS IDENTIFICATION

A CHAIR



1PC

B FRONT LEG



2PCS

C BACK LEG



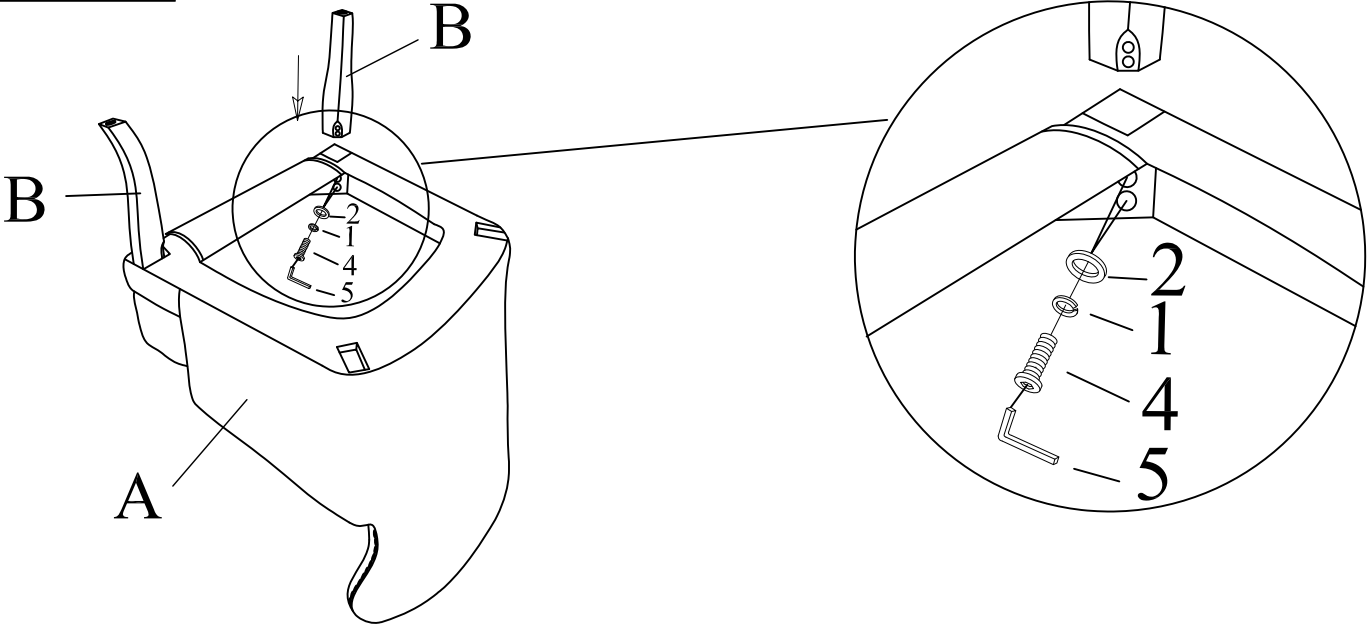
2PCS

## Z HARDWARE IDENTIFICATION

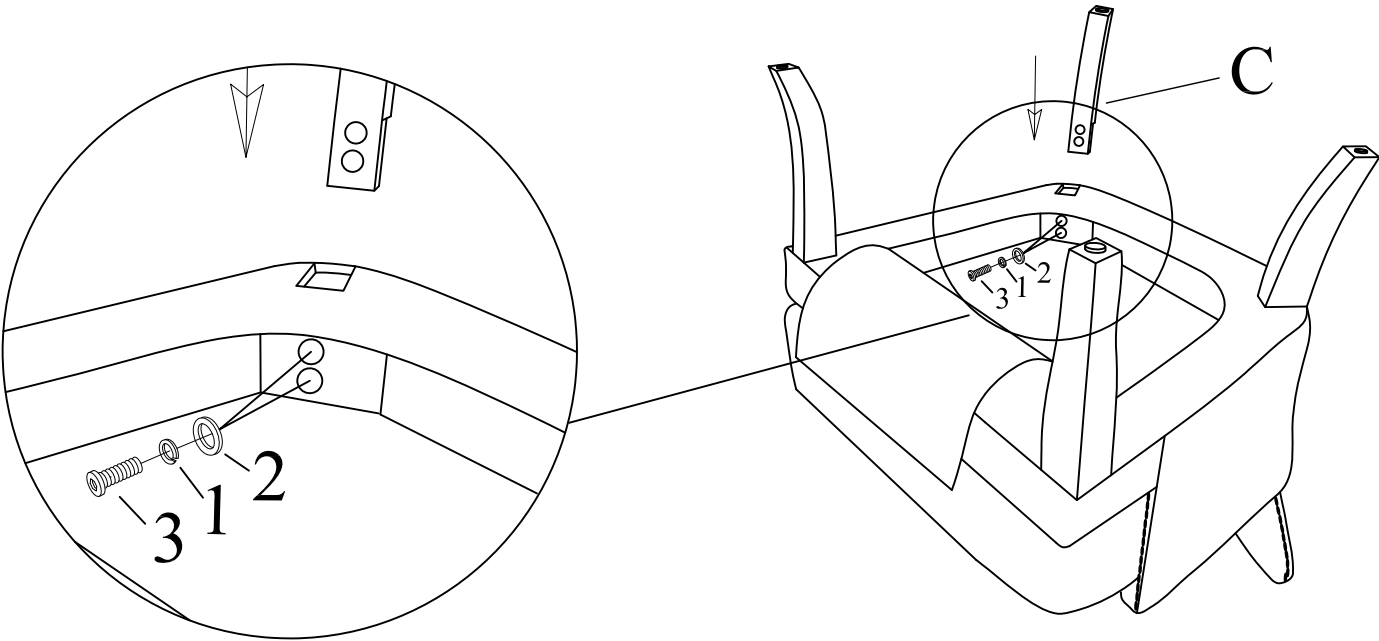
NO	DESCRIPTION	FIGURE	Q' TY
1	ØLOCK WASHER 5/16"		8PCS
2	ØFLAT WASHER 5/16"		8PCS
3	ØBOLT 5/16X2"		4PCS
4	ØBOLT 5/16X2-1/2"		4PCS
5	ØALLEN KEY 5mm		1PC

# ASSEMBLY INSTRUCTIONS

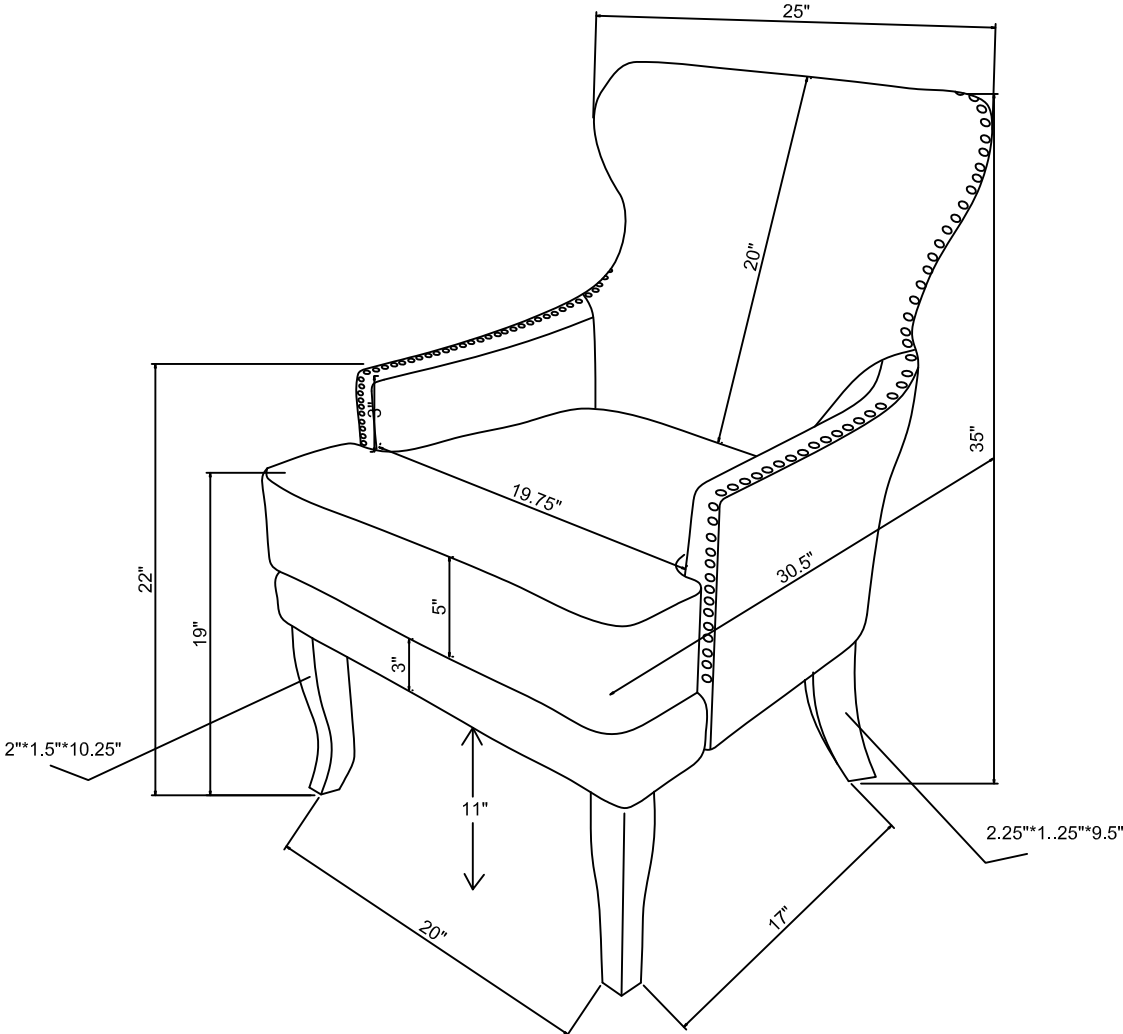
## STEP: 1



## STEP: 2



# ASSEMBLY INSTRUCTIONS



Note: Dimension tolerance  $\pm 5\%$