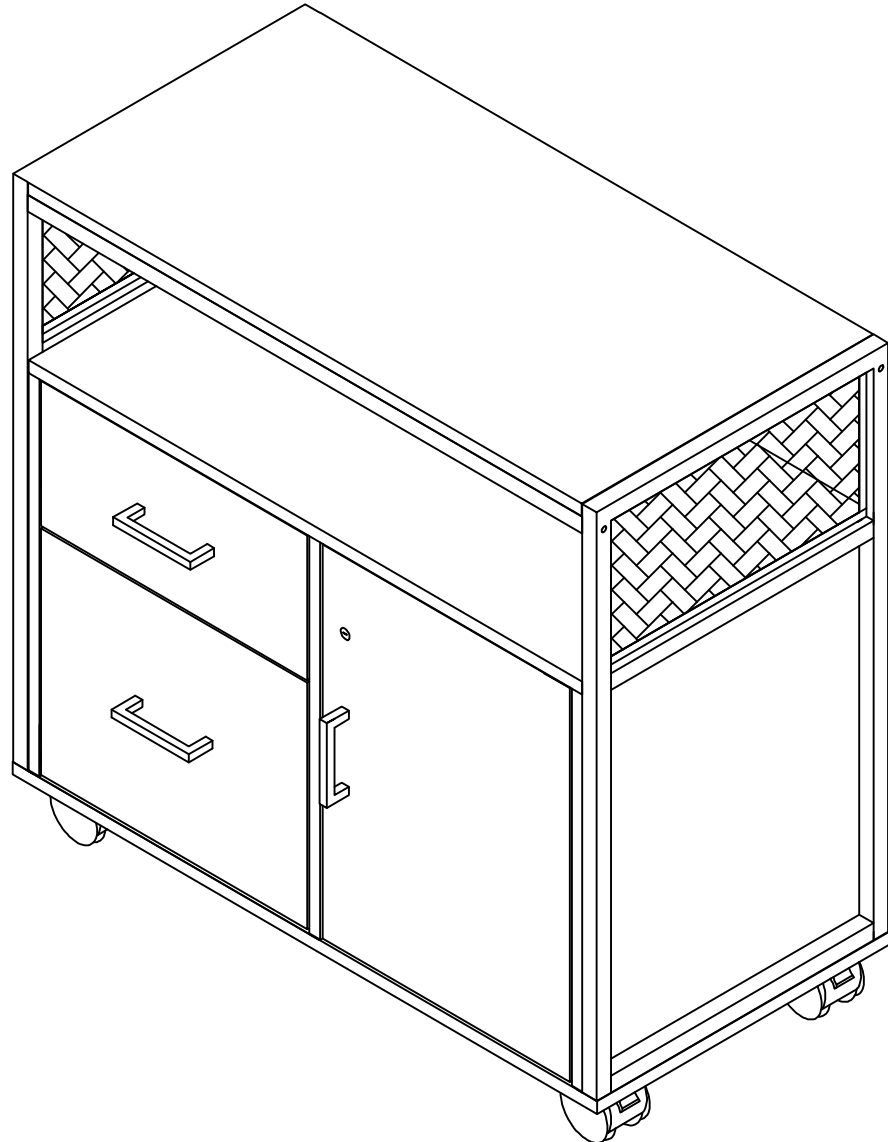


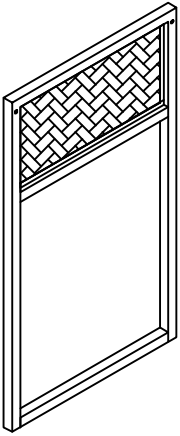
# Installation instructions

HOGA-F1443



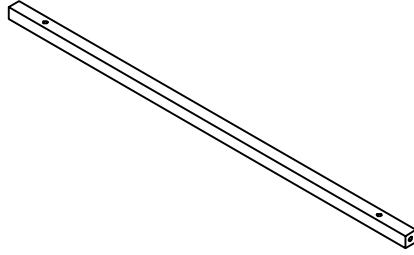
# Accessories

①



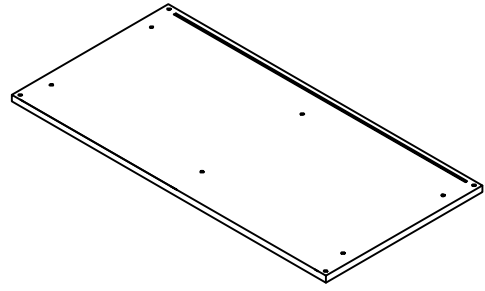
x2

②



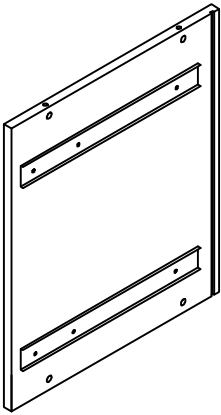
x2

③



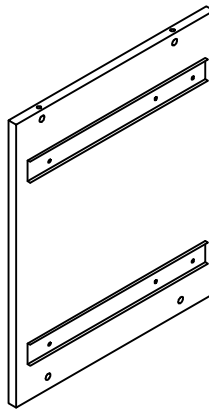
x1

④



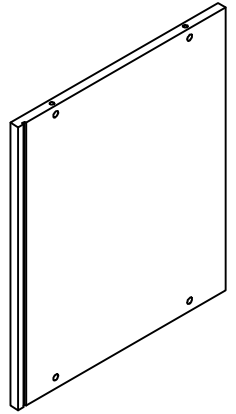
x1

⑤



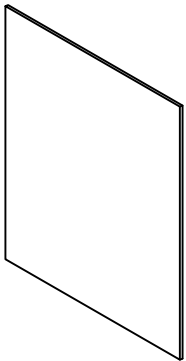
x1

⑥



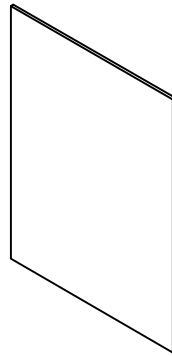
x1

⑦



x1

⑧



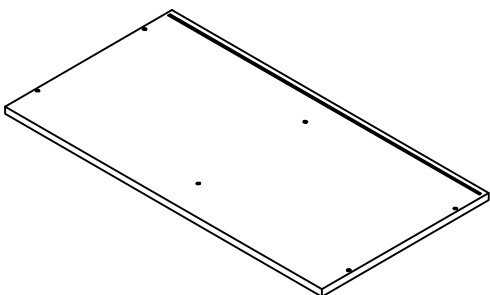
x1

⑨



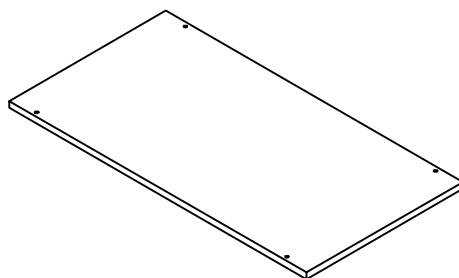
x1

⑩



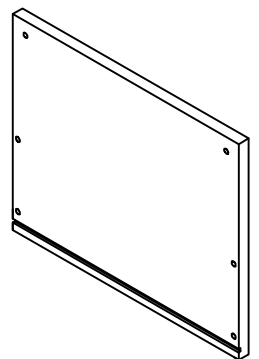
x1

⑪



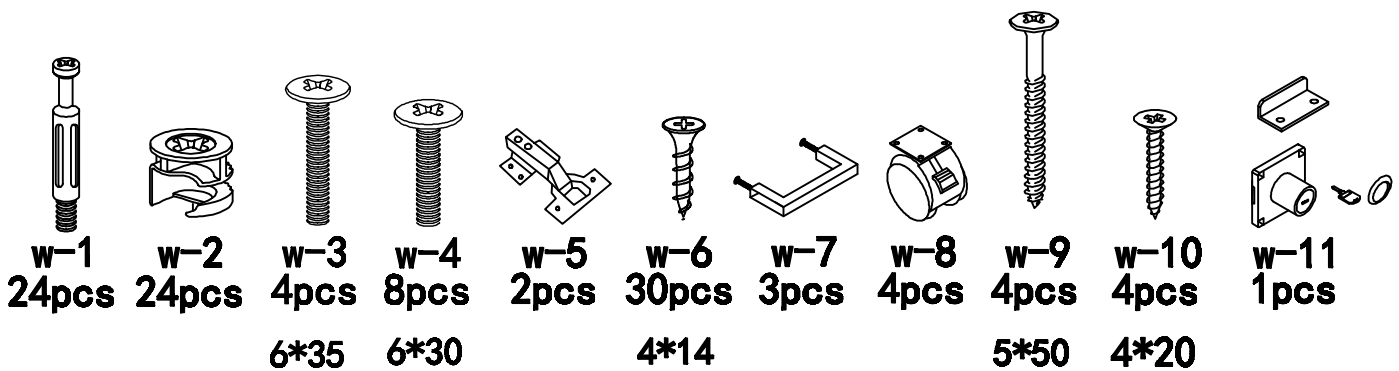
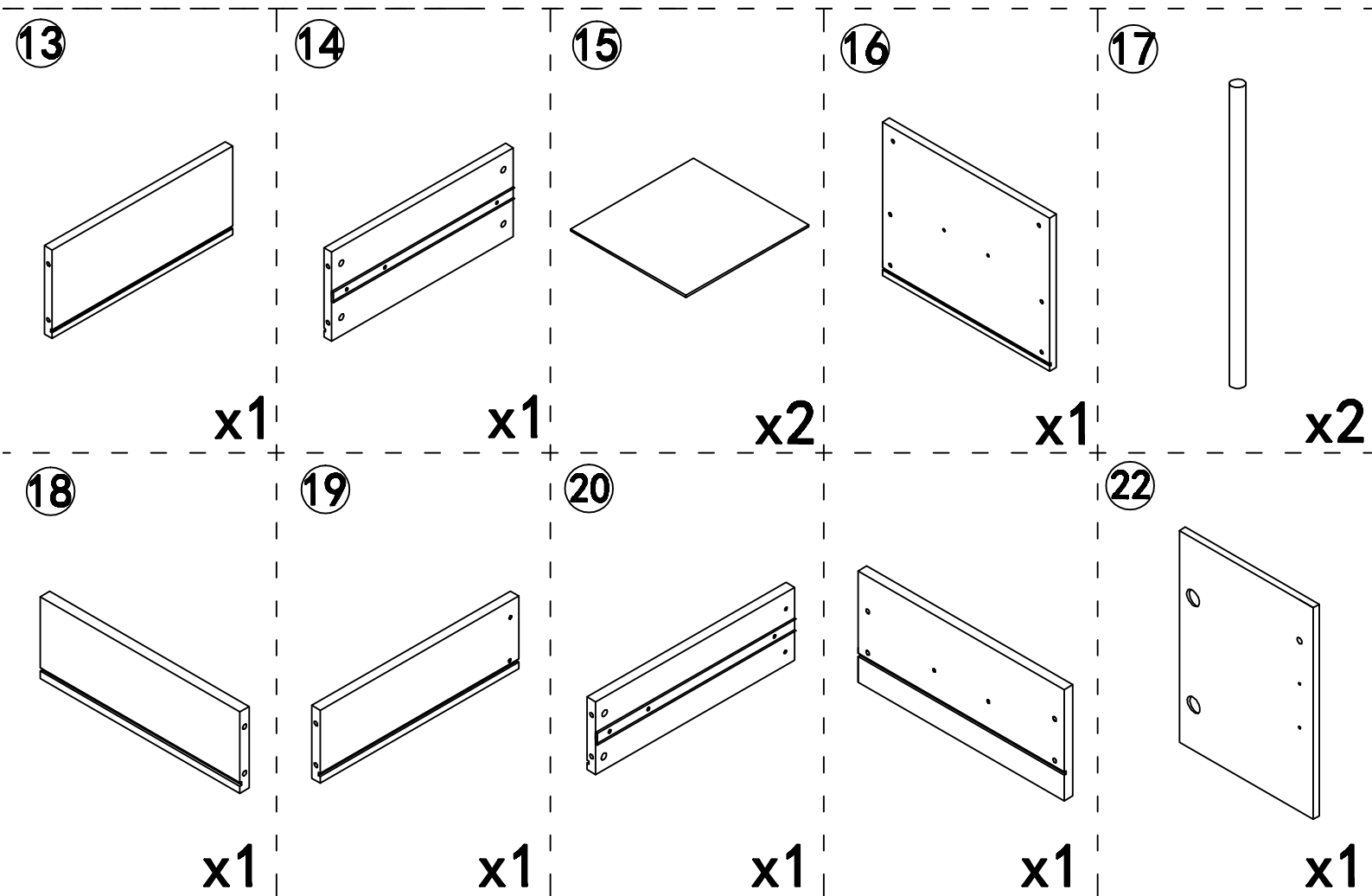
x1

⑫



x1

# Accessories show

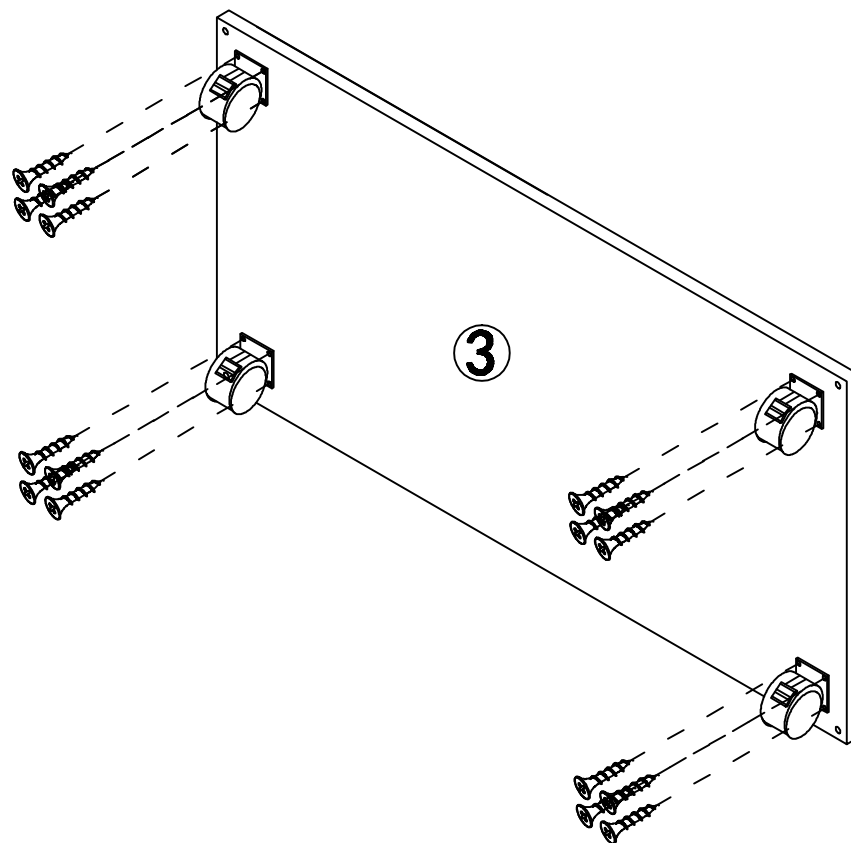


**NOTES:** Don't tighten screws completely at first, just in case parts were assembled wrong and need disassembled. Tighten screws at last when all parts are put together.

[www.tribesigns.com](http://www.tribesigns.com)

Email: [support@tribesigns.com](mailto:support@tribesigns.com)

# STEP 1



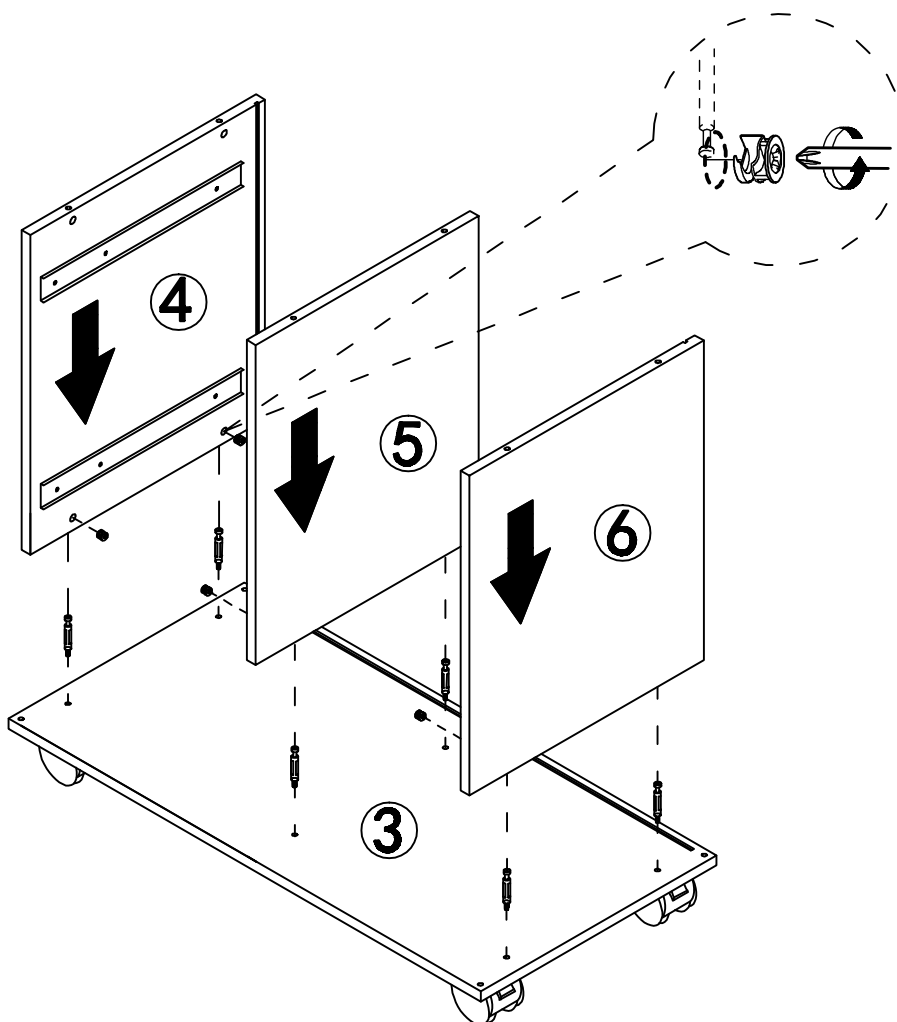
w-6

w-8

16pcs

4pcs

# STEP 2



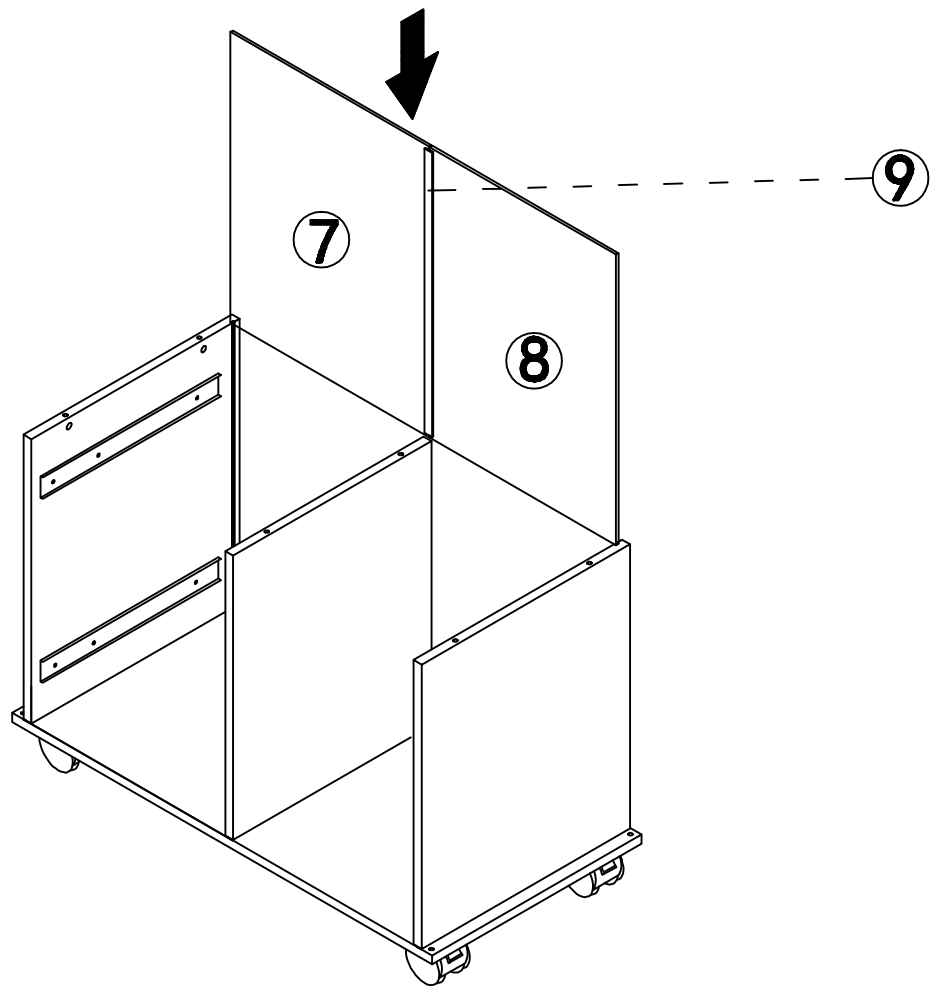
w-1

w-2

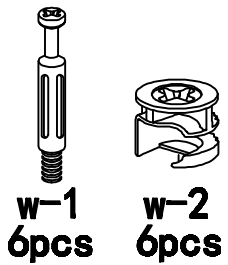
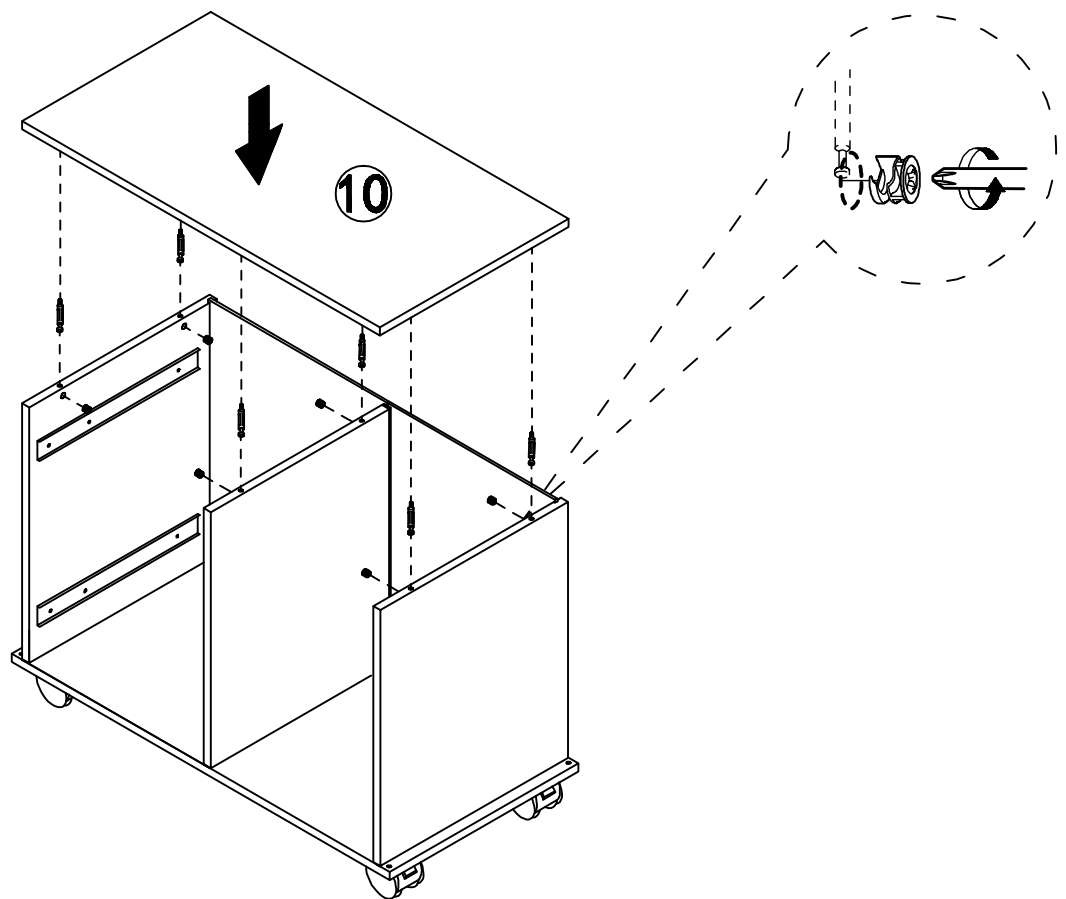
6pcs

6pcs

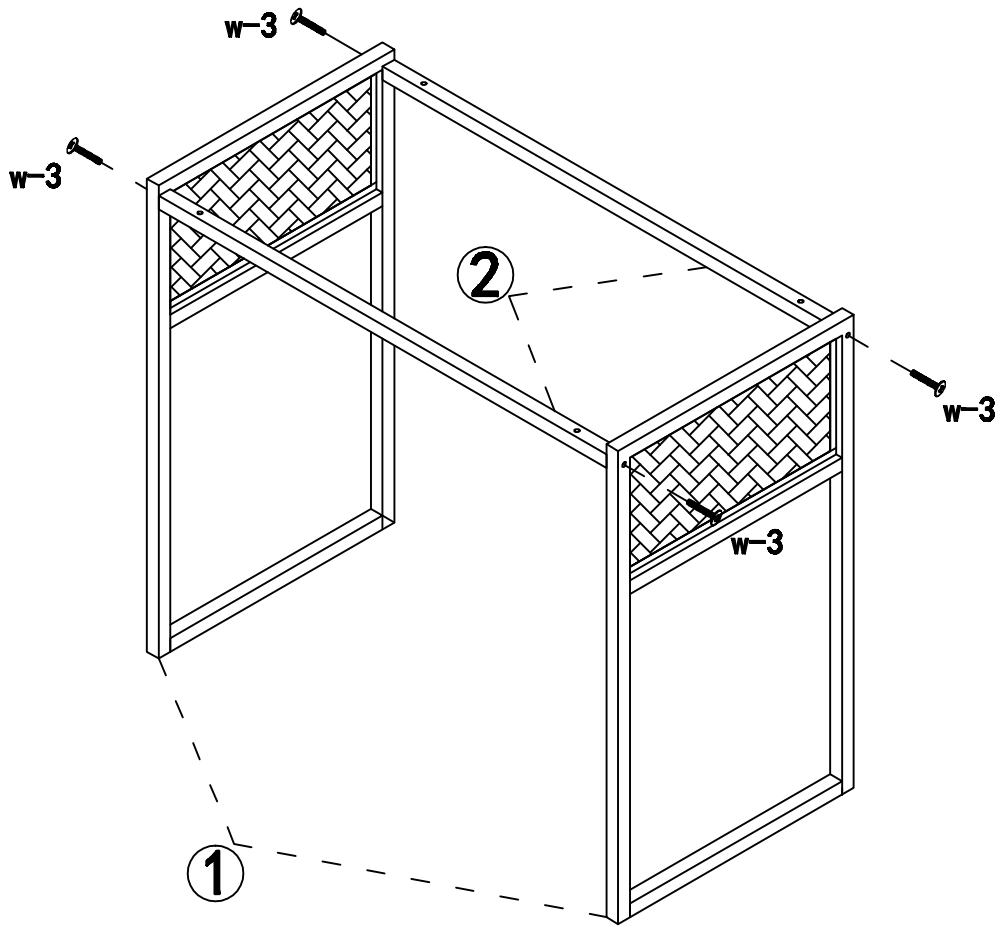
# STEP 3



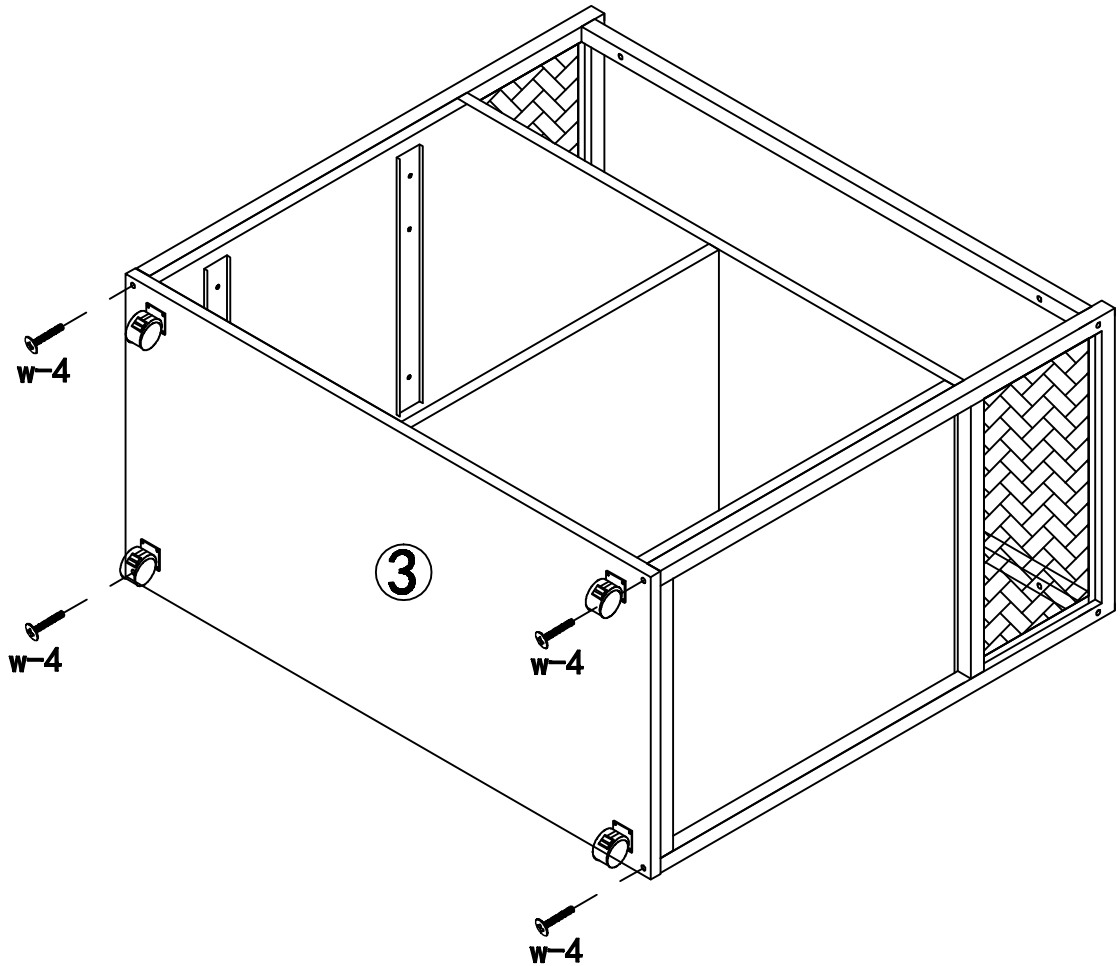
# STEP 4



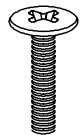
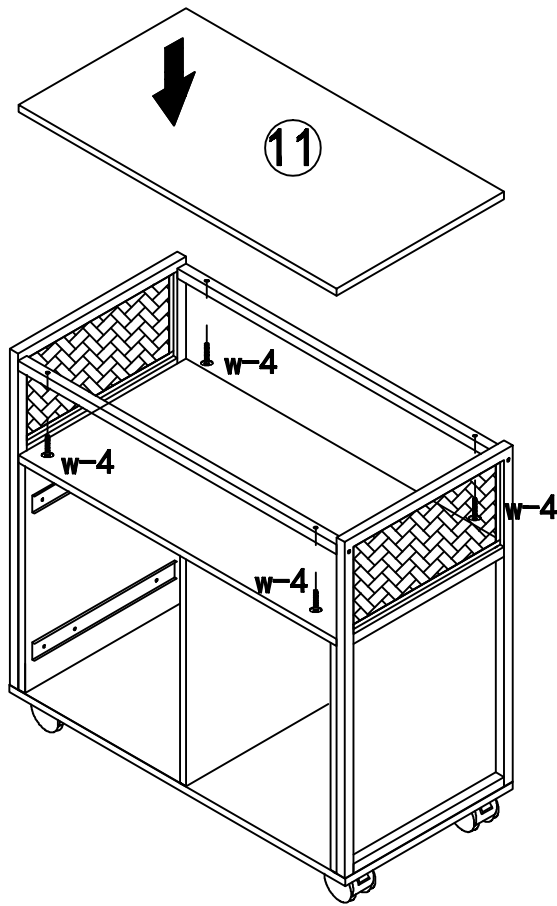
# STEP 5



# STEP 6

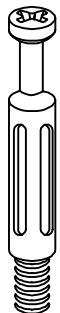
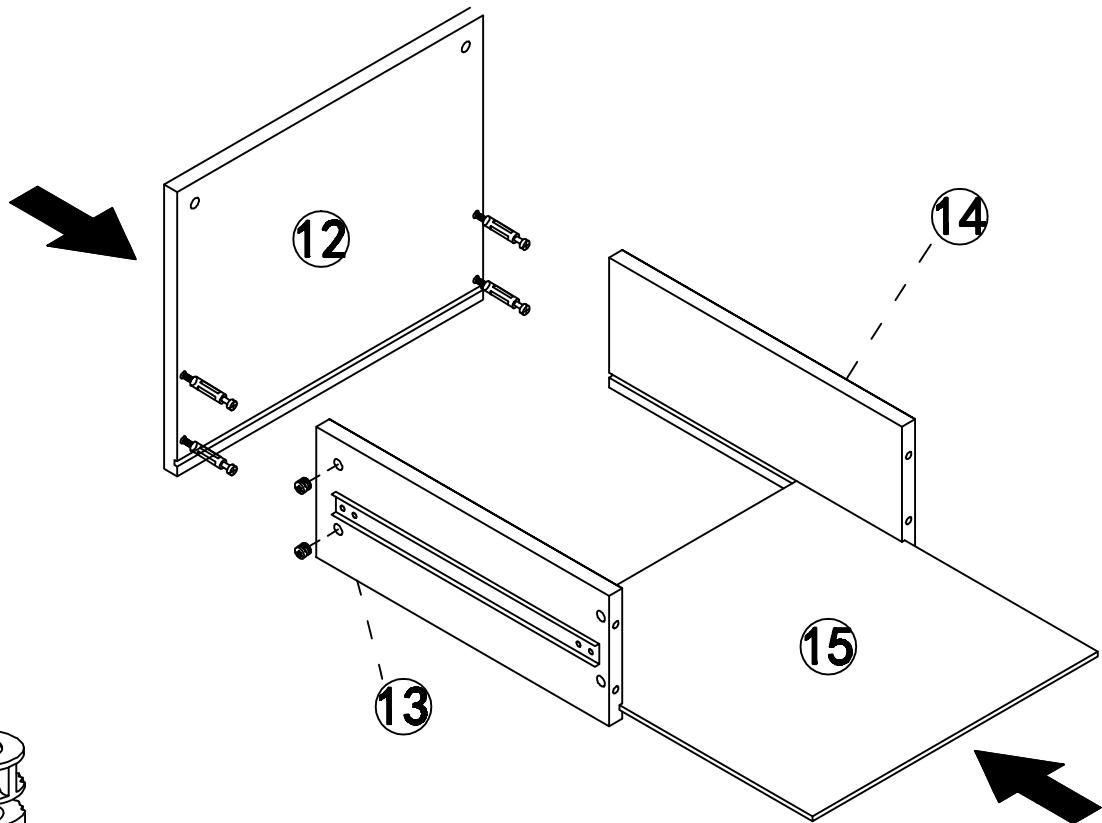


# STEP 7

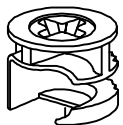


w-4  
4pcs

# STEP 8

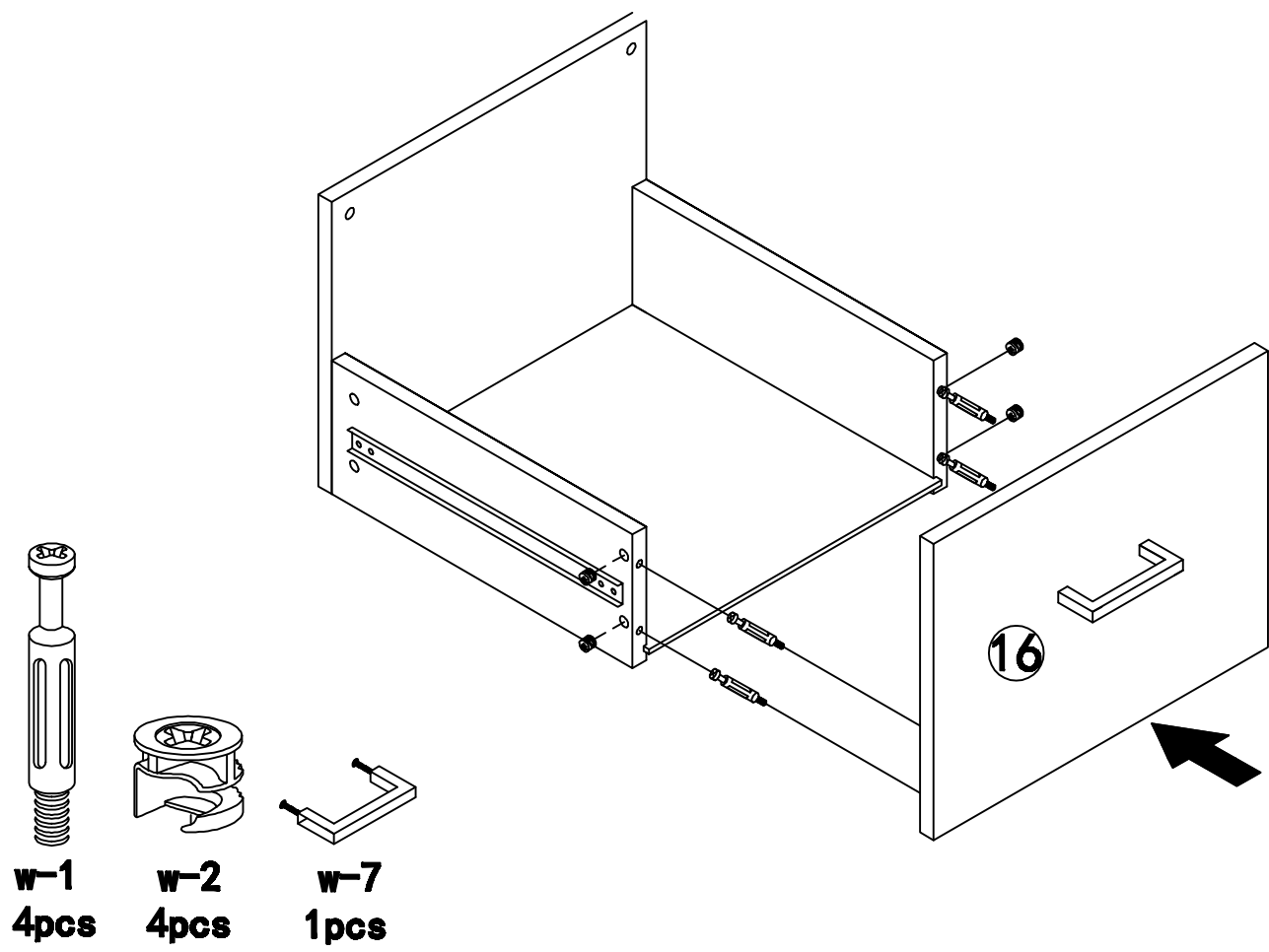


w-1  
4pcs

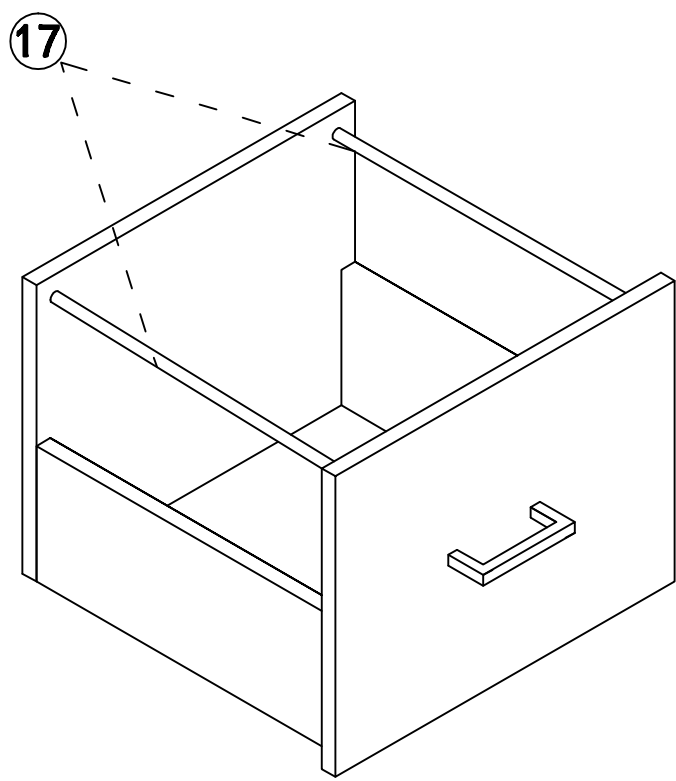


w-2  
4pcs

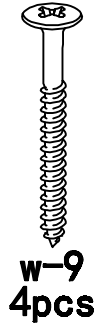
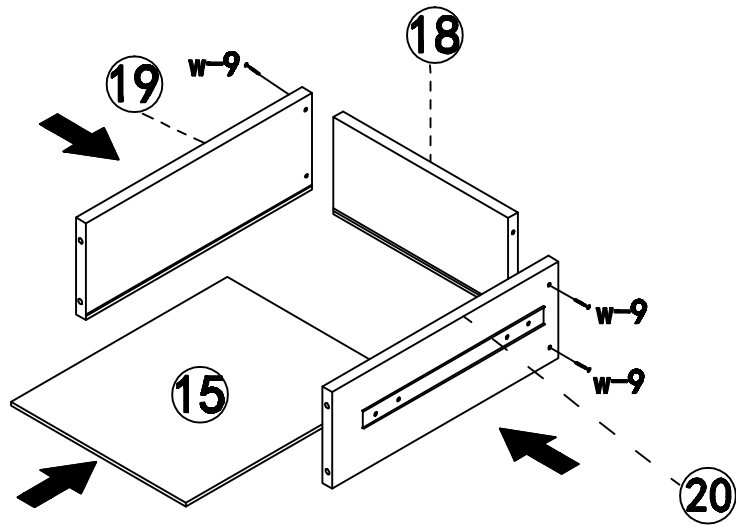
# STEP 9



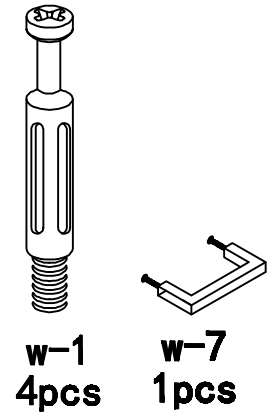
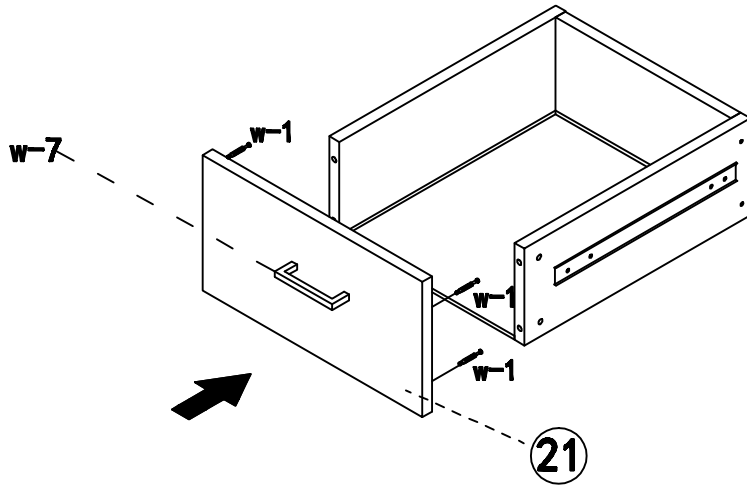
# STEP 10



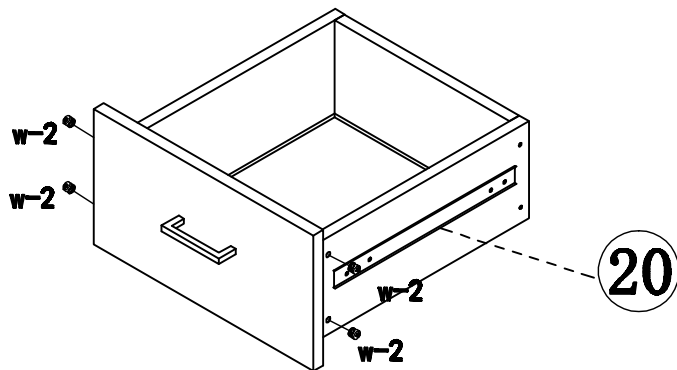
# STEP 11



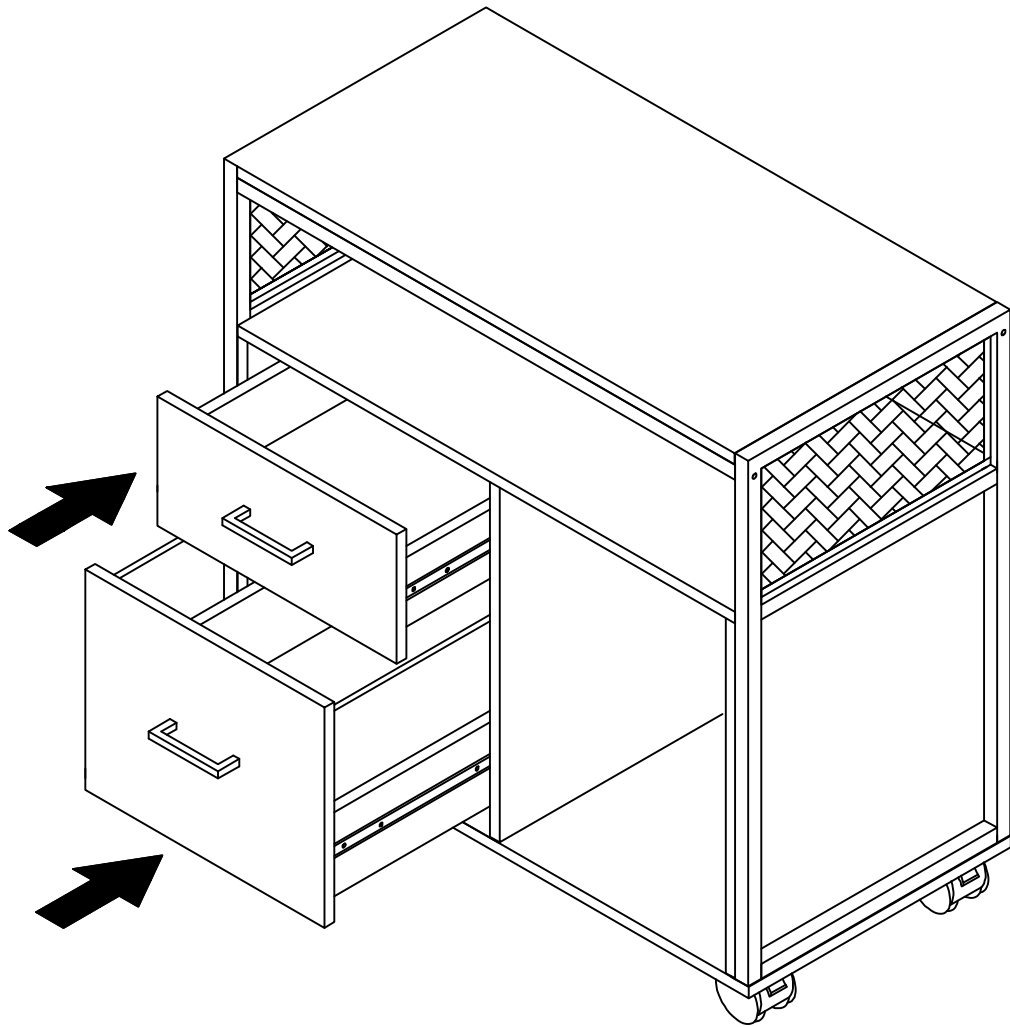
# STEP 12



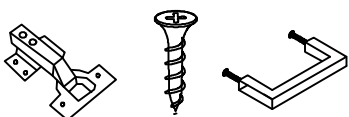
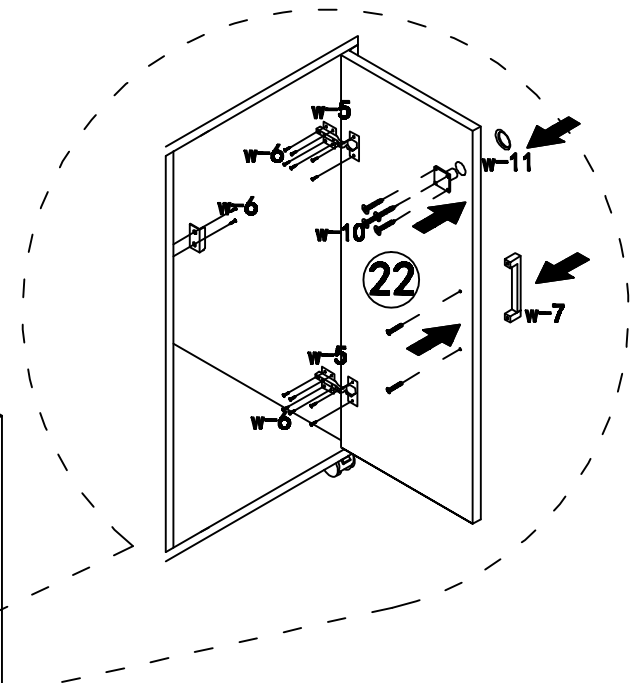
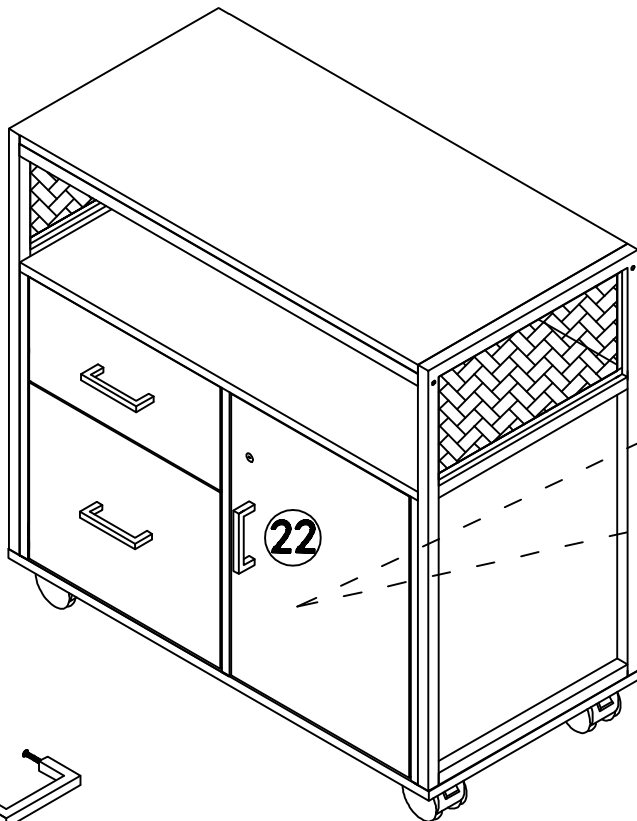
# STEP 13



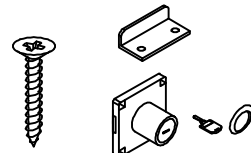
# STEP 14



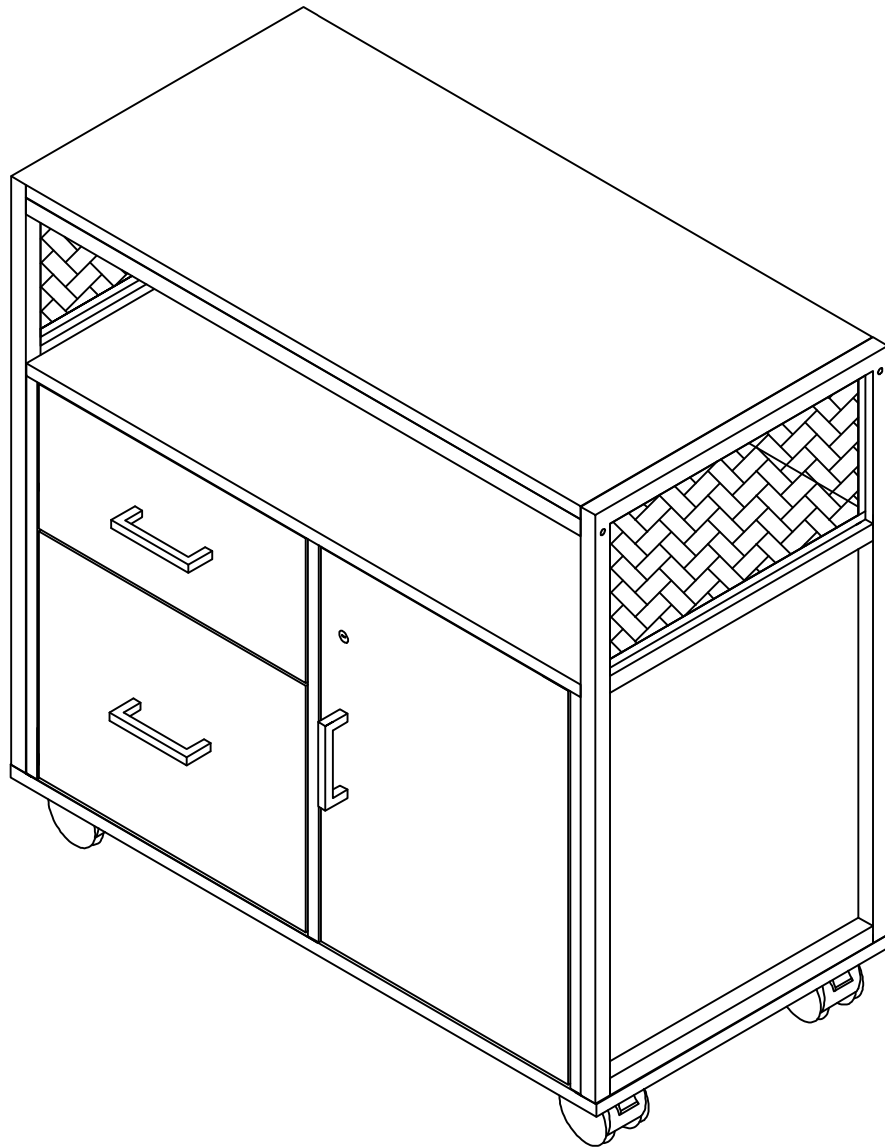
# STEP 15



w-5 2pcs  
w-6 14pcs  
w-7 1pcs



w-10 4pcs  
w-11 1pcs



**complete**

Thanks for choosing Tribesigns product your satisfaction is our priority If you have any damages caused by shipping feel free to contact us at "support@tribesigns.com" our friendly customer service will solve problem for you.