

INSTALLATION INSTRUCTIONS

SHOWER DOORS • TUB DOORS

MODELS:

SHOWER DOORS: LBSDE2472
LBSDE3072
LBSDE3672
LBSDPE672
LBSDPE872
LBSDPE1272
LBSDPE1872
LBSDPE2472

PREPARATION

1. After opening all boxes and packages, read this introduction carefully. Check that all of the needed parts are included in the package by marking all the components on the "Detailed Diagram of Shower Door Components". Examine boxes and packages for shipping damage. If the unit has been damaged, has a finishing defect, or is missing parts, please contact our customer support department to be served immediately. Please note that LessCare will not replace any damaged products or missing parts free of charge after 5 business days or if the product has been installed. Feel free to contact LessCare if you have any questions.
2. Please note that you should consult your local building codes with questions on installation compliance standards. Building and plumbing codes may vary by location, and LessCare is not responsible for code compliance standards for your project and will not accept any returns.
3. Prior to installation, ensure that the installation surface is leveled and solid and will be able to support the total weight of the unit. Also, make sure the walls are at the right angles. Irregular installation surface level or improper angle of side walls will result in serious problems during installation. Please, note that some adjustments and drilling might be necessary during the installation process.
4. **NOTE!** This door does not have out-of-plumb adjustment. Make sure your walls are at right angles.
5. This door requires a minimum 23/4" wide threshold, base or installation space. Please note that Step 6 calls for installation of the door to the wall using anchors. However, the manufacturer strongly recommends installing these heavy doors to the studs or to preinstalled 2" x 6" wood reinforcements behind the wall and attach the Wall brackets to it.

Attention: This door is extremely heavy and requires professional installation. Instructions are given for the shower door installation. Please, follow the same instructions to install the tub door.

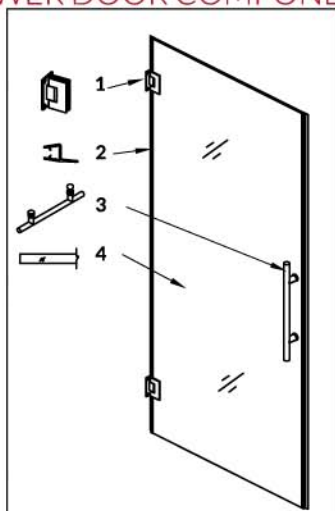
TOOLS REQUIRED



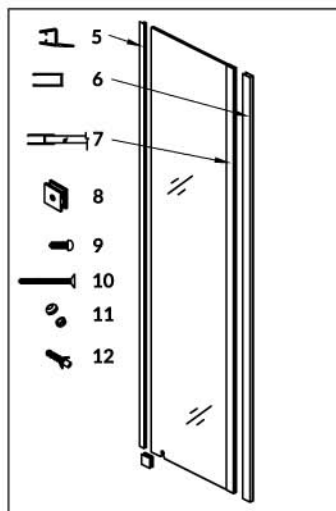
NOTE: Unpack your unit carefully and inspect it. Lay it out and identify all parts using parts diagram and part list in your manual as a reference. Before discarding the carton, check for small hardware bags that tend to fall to the bottom of the box. If any parts are damaged or missing, please contact the retail store where you have purchased the product.



SHOWER DOOR COMPONENTS



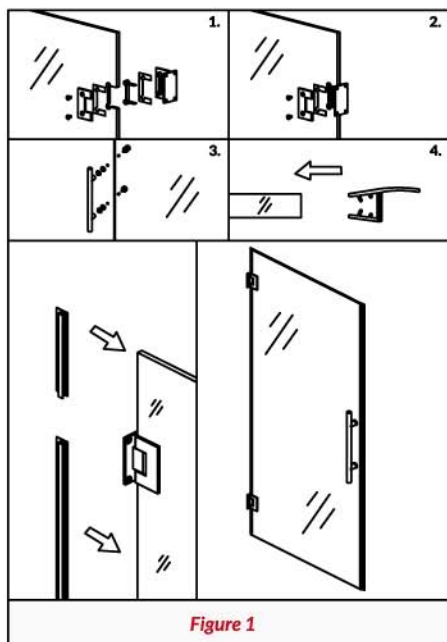
1	Hinge	2 pcs
2	Side Strip	2 pcs
3	Handle	1 pc
4	Glass Door	1 pc



5	Anti-Water Strip	1 pc
6	Wall Profile	1 pc
7	Fixed Glass (with glass profile)	1 pc
8	Bottom Bracket	1 pc
9	Round Head Screw ST3.5x12	3 pcs
10	Countersunk Screw M4x45	11 pcs
11	Screw Cover	3 pcs
12	Wall Anchor	11 pcs

RETAIN THESE INSTALLATION INSTRUCTIONS FOR FUTURE REFERENCE!

INSTALLATION INSTRUCTION

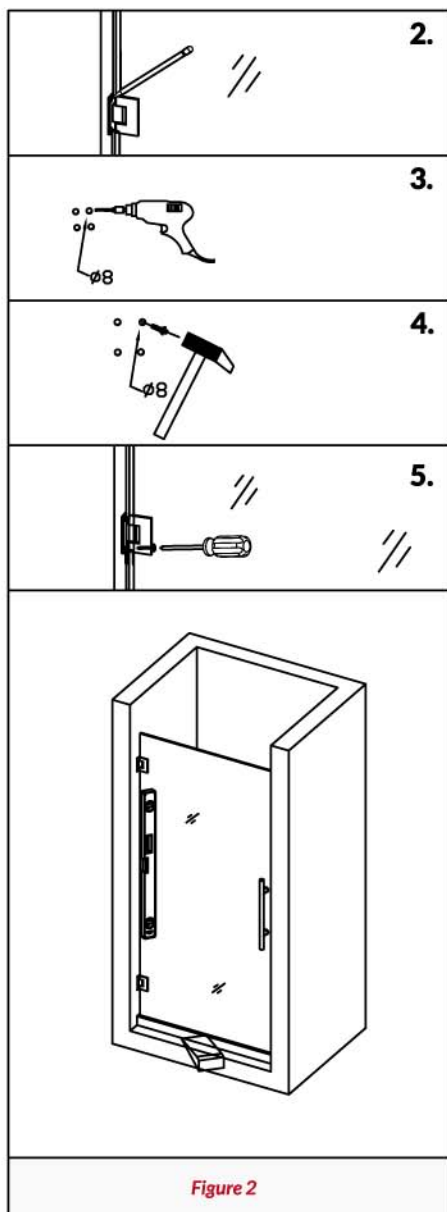


A. Attach the hinges (1) to the glass door (4).
Mount the handle (3) and slide the side anti-water Strip (2) to the glass door (4).

See **Figure 1** for details.

B. Place a piece of flat timber (about 5/8" thick) on the threshold or the shower base. Place the glass door (4) onto the flat timber. Butt up the door with hinged side against the wall carefully, adjust its position and level it vertically. Now hold the door in place and mark the drill holes for both hinges (1) on the wall. Set the door aside and drill the holes in the wall using dia 8mm drill bit. Place the glass door back to the wall and fasten it to the wall with countersunk screw M4x45 (10).

See **Figure 2** for details.



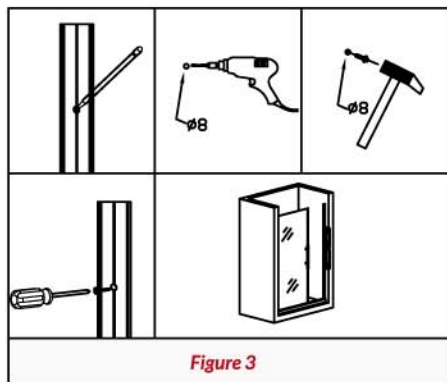


Figure 3

C. If your shower door is with a fixed glass panel, please follow these steps. Place the **wall profile (6)** centrally and vertically above the threshold or shower base. Using a level adjust the wall profile upright, then make the marks through the predrilled holes on the aluminum profile for drilling. Now drill the holes with drill bit ($\Phi 8\text{mm}$) and insert the **wall anchor (12)**. Now fasten the profile to the wall with **countersunk screw M4x45 (10)**.

See Figure 3 for details.

D. Slide the **fixed glass with glass profile (7)** into the groove of **wall profile (6)**. Put the **anti-water strip (5)** into the fixed glass. Adjust the fixed glass vertically and level it. Adjust the position of the **fixed glass (7)** inside the **wall profile (6)**, make sure that the **glass door (4)** can close nicely to the **fixed glass (7)**. Slide the **bottom bracket (8)** under the bottom side of the fixed glass, mark the drill hole of the bracket on the threshold or shower base. Set the glass aside and drill the hole, using dia 8mm drill bit. Insert the **wall anchor (12)** and fasten the bracket to the floor with **countersunk screw M4x45 (10)**. Slide the **fixed panel (7)** into the groove of **bottom bracket (8)**, and fasten the glass and bracket together.

See Figure 4 for details.

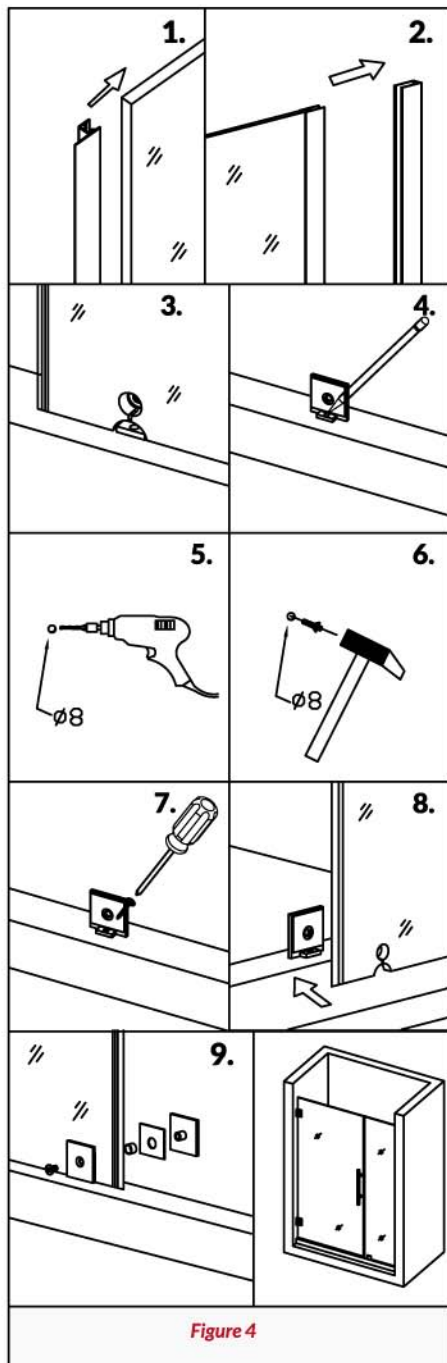


Figure 4

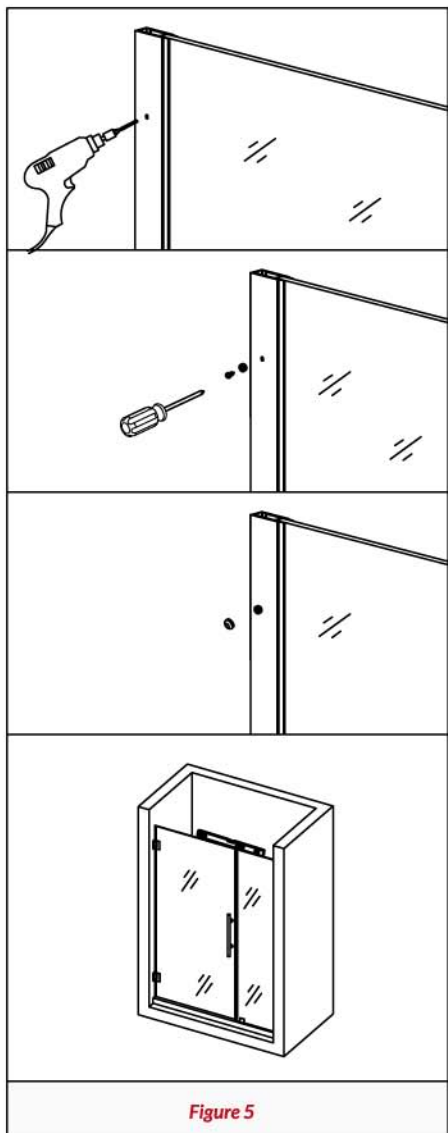


Figure 5

E. Adjust the position of the whole shower door. Then drill 3 holes with drill bit ($\Phi 2.75\text{mm}$), one is in the middle on the overlapping of the profiles, the other two are 150mm up and down from the top and bottom of the profiles. Secure the glass & wall profile with **screw ST3.5x12 (9)** then cover the **screw covers (11)**.

See **Figure 5** for details.

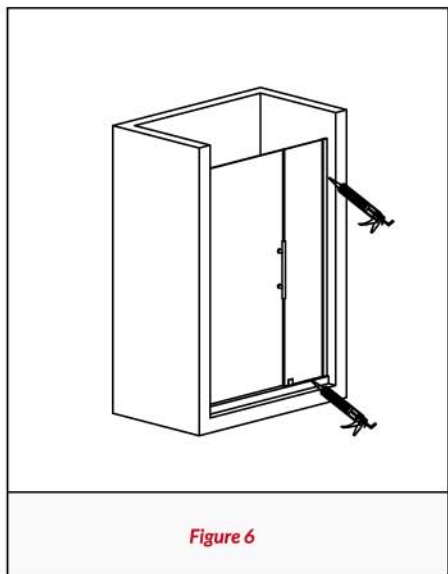


Figure 6

F. Seal with silicone caulk between wall, glass and tray or ground.

WAIT 24 HOURS BEFORE USING THE SHOWER ENCLOSURE

See **Figure 6** for details.

PRODUCT MAINTENANCE

To ensure long lasting life of your glass shower products, wipe them off after each use with a soft cloth. Rinse and wipe off the glass using either soft cloth or squeegee to prevent soap buildup. Never use abrasive cleaners and cleaning products that contain scouring agents as this may scratch the surface. Never use bristle brushes or abrasive sponges.

To ensure a long lasting hardware finish, wipe off the metal parts after each use with a soft cloth. Do not use abrasive cleaners or cleaning products containing ammonia, bleach or acid. If accidentally used, rinse the surface as soon as possible to prevent finish peeling or corrosion. After cleaning the shiny finishes, rinse thoroughly and wipe dry with soft cloth. Clean stainless steel surfaces at least once a week. When applying stainless steel cleaner or polish, work with (not against/across) the grain. Never use an abrasive sponge or cloth, steel wool or wired brushes.

