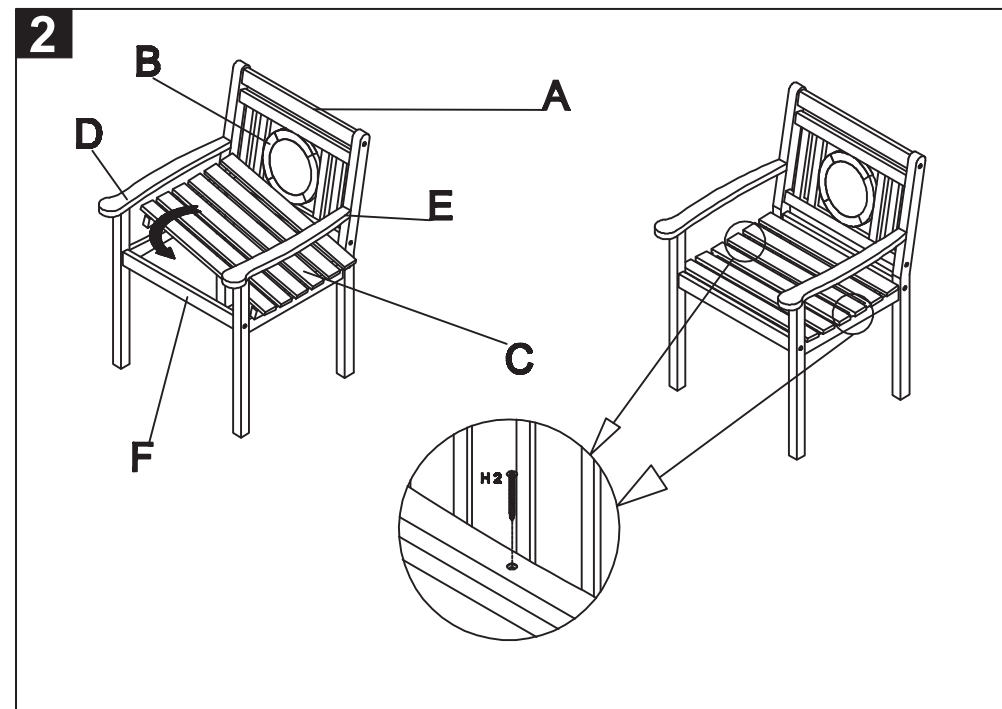
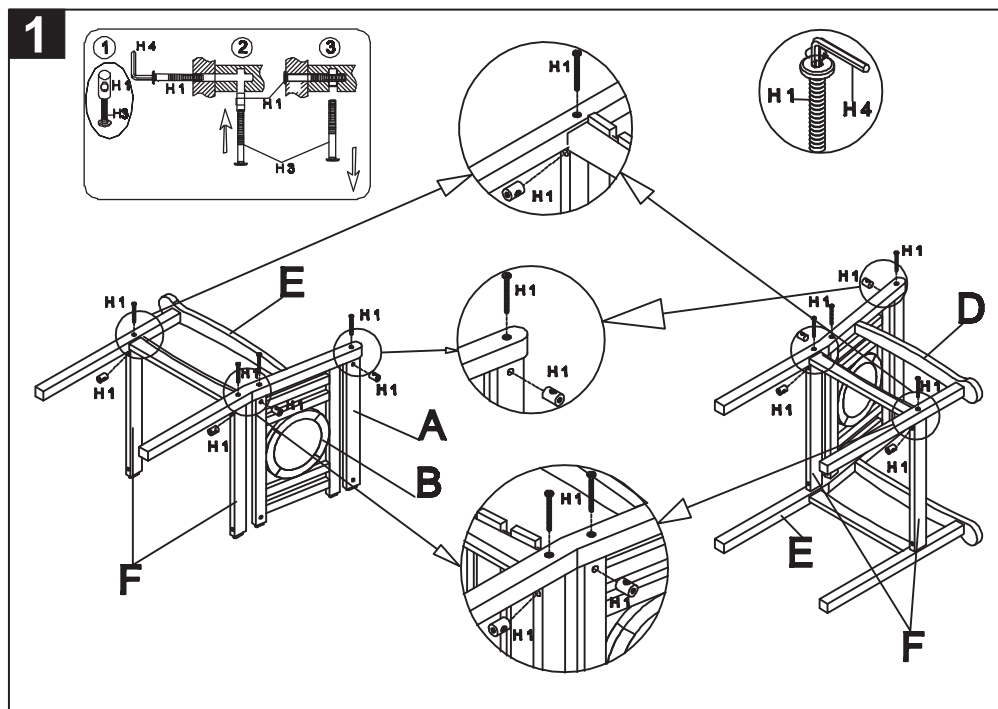


Before beginning the assembly of the product , make sure all parts are present .

Compare the parts with package contents list and hardware contents list .

If any parts are missing or damaged,do not attempt to assemble the product .

Tool required for assembly (included) : Allen key



Step 1: attach left side (E) to back (B) with support 1 (A) and support 2 (F) as shown on picture,using bolt (H1) and tighten with the Allen key (H4) .

Then continue with left side (E) with same way .

Make sure tighten all bolt (H1) before continue step 2

Step 2: put the seat (D) inside chair and using screw (H2) as shown on picture,tighten with screwdriver.


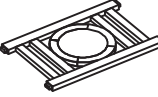

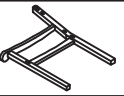
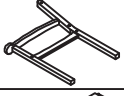


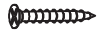

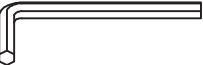
CARE AND MAINTENANCE

Store outdoor furniture indoors or cover well when it is not in use .
Dust regularly with small brush or vacuum .Spills should be taken care of
immediately before they harden or stain with a slightly dampened sponge

NOTICE

Please make sure that you have all parts indicated
before you begin assembly of this item

Part List and Hardware List

PIECE	DESCRIPTION	PICTURE	QUANTITY
A	Support 1		1 X
B	Back		1 X
C	Seat		1 X
D	Right side		1 X
E	Left side		1 X
F	Suport 2		2 X
H 1	Allen Bolt	 M6x70	8 X
H 2	Screw	 M4x35	2 X
H 3	Bolt extra	 M6x50	1 X
H 4	Allen Key		1 X

Product Dimension :24.41"W x24.41"D x34.65"H

Weight capacity : 300 lbs

Warning : Do not stand on the chair

Warning : Do not torque bolts / screws

